

50 SXS 2012

SPARE PARTS MANUAL: SUPPLEMENT

ENGLISH



50 SXS 2012



PART NUMBER	DESCRIPTION	STOCK	OPT
45210051038	38T REAR SPROCKET	1	
45232005244	CLUTCH SPRING KIT (GREEN)	1	
45232007044	CLUTCH SHIM KIT	1	
SXS09050550	SXS FMF SILENCER	1	
SXS11050132	SXS IGNITION COVER	1	
SXS11050044	*SXS CHAIN ADJUSTMENT KIT	1	
SXS11050505	SXS FMF EXHAUST PIPE	1	
SXS12050040	SXS FORK/AIRBOX DECAL SET	1	
SXS12050039	*SXS IGNITION CPL	1	
SXS12050050	SXS CLUTCH BOLT KIT	1	
SXS12050060	SXS RACE SHOCK CPL	1	
SXS12050061	SXS SHOCK SPRING 3.2/3.6		1
	DUNLOP GEOMAX MX51 TIRE (F)	1	
	DUNLOP GEOMAX MX51 TIRE (R)	1	

***SXS Chain Adjustment Kit includes:**

- »SXS Chain Adjustment Blocks
- »SXS Chain Guide
- »SXS Axle Holder

***SXS Ignition Cpl includes:**

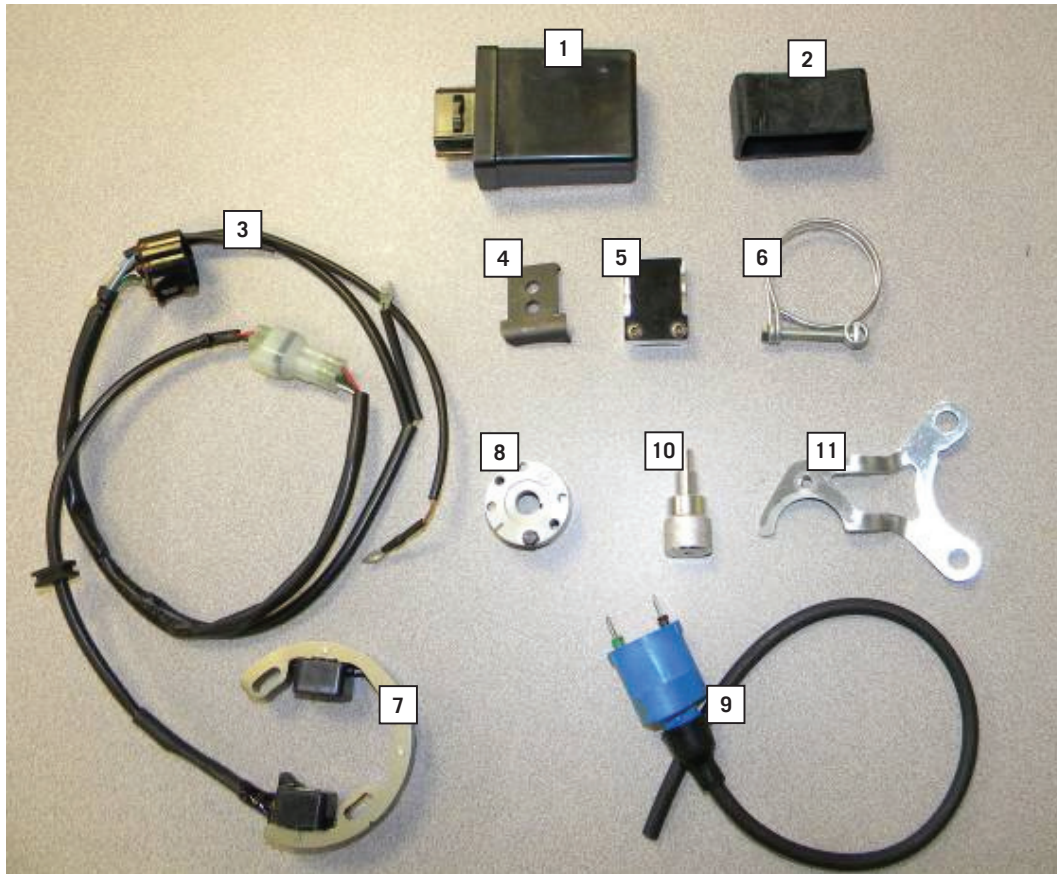
- »CDI Box & Fitting Pin
- »Stator
- »Rotor
- »Coil & Plate
- »Wiring Harness

SPARE PARTS MANUAL: SXS IGNITION SXS12050039

ENGLISH

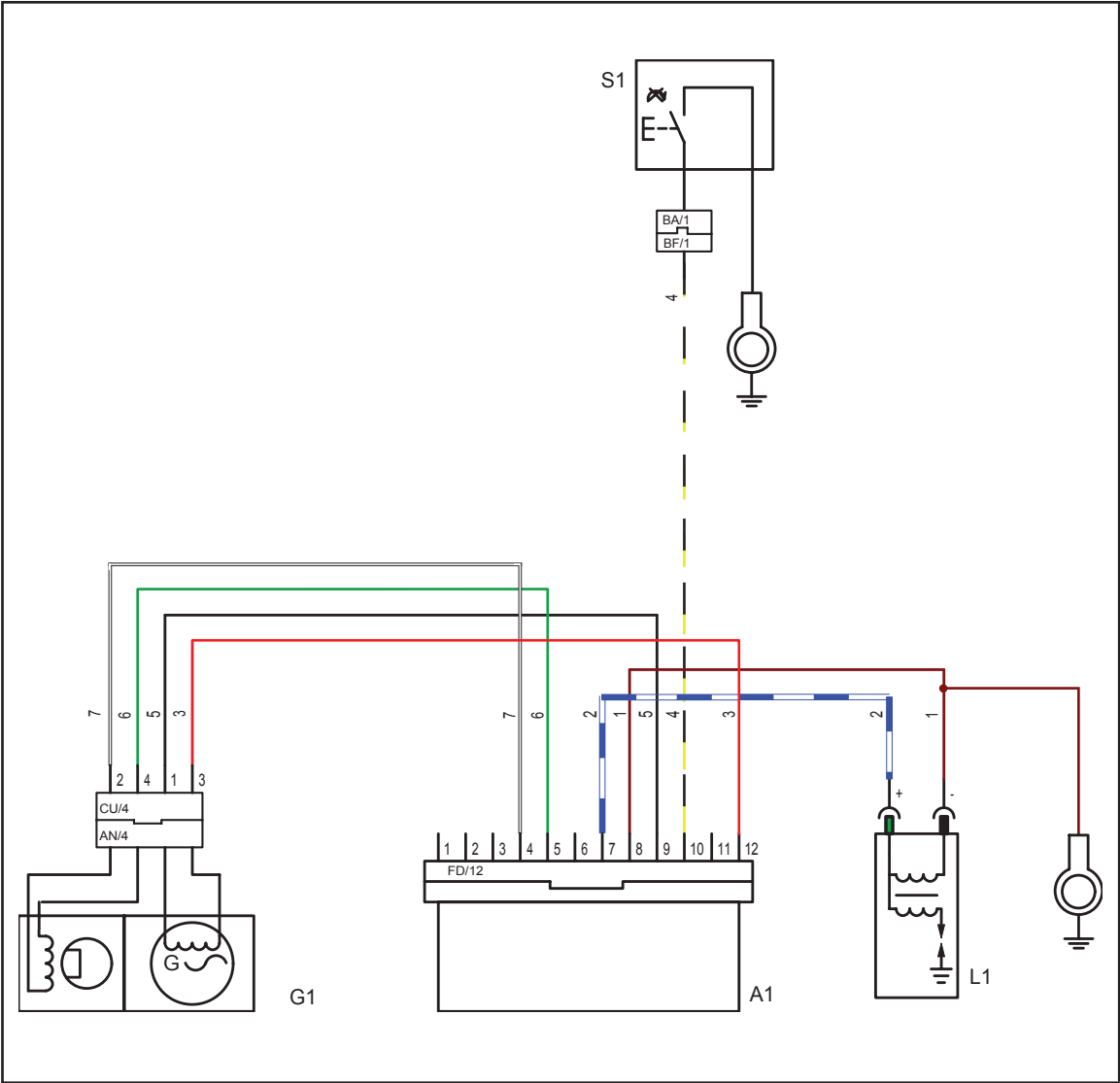


50 SXS 2012



PART NUMBER	DESCRIPTION	QTY
45239031000	SXS CDI BOX (1)	1
46139030000	CDI BOX RUBBER (2)	1
45239032000	IGNITION WIRE HARNESS (3)	1
46103001074	MOUNTING PLATE FOR CDI –weld on (4)	1
45239010200	MOUNTING PLATE FOR CDI –bolt on (5)	1
45239011000	DOUBLE WIRE HOSE CLAMP (6)	1
45239004000	STATOR (7)	1
45239005000	ROTOR (8)	1
45239106000	IGNITION COIL (9)	1
45229933001	TIMING PIN (10)	1
45239010100	IGNITION COIL RETAINING BRACKET (11)	1
0025050206	M5x20 HH COLLAR SCREW (not pictured)	1

50 SXS 2012



WIRING DIAGRAM

- Components**
- A1 CDI Controller
 - G1 Generator (Stator)
 - L1 Ignition Coil
 - S1 Short Circuit Button

- Cable Colors**
- 1 Brown
 - 2 White-blue
 - 3 Red
 - 4 Yellow -black
 - 5 Black
 - 6 Green
 - 7 White

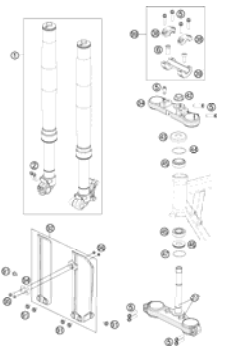
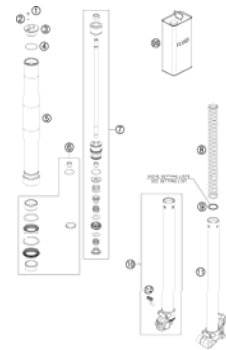
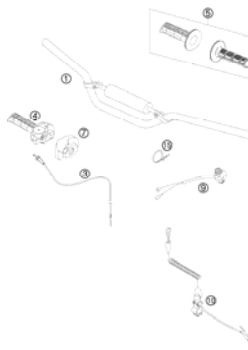
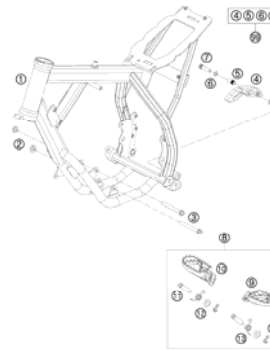
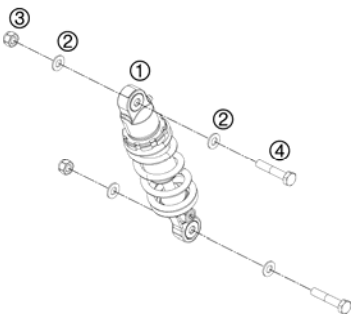
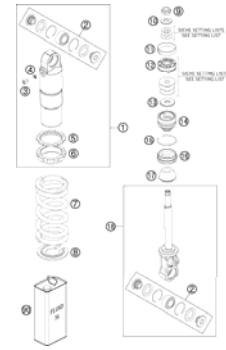
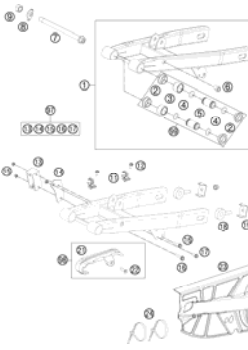
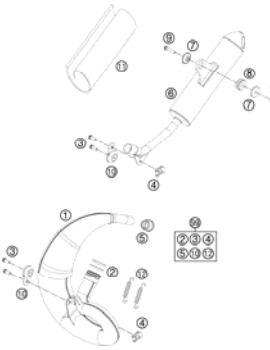
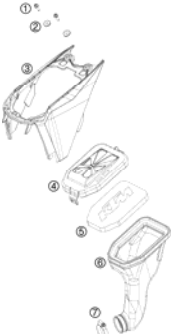
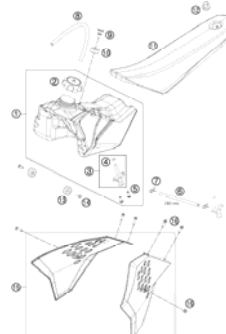
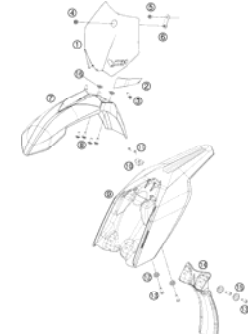
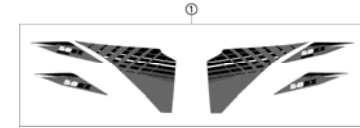


SPARE PARTS MANUAL: CHASSIS

ART.NO.: 3CF6075L4EN

ENGLISH



<p>FRONT FORK, TRIPLE CLAMP</p>  <p>3</p>	<p>FRONT FORK DISASSEMBLED</p>  <p>4</p>	<p>HANDLEBAR, CONTROLS</p>  <p>5</p>	<p>FRAME</p>  <p>6</p>
<p>MONOSHOCK</p>  <p>7</p>	<p>MONOSHOCK DISASSEMBLED</p>  <p>8</p>	<p>SWING ARM</p>  <p>9</p>	<p>EXHAUST SYSTEM</p>  <p>10</p>
<p>AIR FILTER BOX</p>  <p>11</p>	<p>TANK, SEAT, COVER</p>  <p>12</p>	<p>MASC, FENDER</p>  <p>13</p>	<p>DECAL</p>  <p>14</p>

FRONT WHEEL

15

REAR WHEEL

16

HAND BREAK CYLINDER

17

REAR BRAKE CONTROL

18

BRAKE CALIPER FRONT

19

BRAKE CALIPER REAR

20

ACCESSORIES KIT

21

CONVERSION KIT 50 SXS

22



All information contained is without obligation. KTM-Sportmotorcycle AG particularly reserves the right to modify any equipment, technical specifications, prices, colors, shapes, materials, services, service work, constructions, equipment and the like so as to adapt them to local conditions or to cancel any of the above items, all without previous announcement and without giving reasons. KTM may stop manufacturing certain models without previous notice. KTM shall not be held liable for any deviations of availability and/or ability to deliver, illustrations, descriptions, printing and/or other errors. The illustrated models partly contain extra equipment, which is not applied to standard models. © by KTM-SPORTMOTORCYCLE AG, Mattighofen AUSTRIA; All rights reserved; Reprint, also in extracts, with written allowance of KTM-SPORTMOTORCYCLE AG, Mattighofen only.

FRONT FORK, TRIPLE CLAMP

50 SXS USA 2012

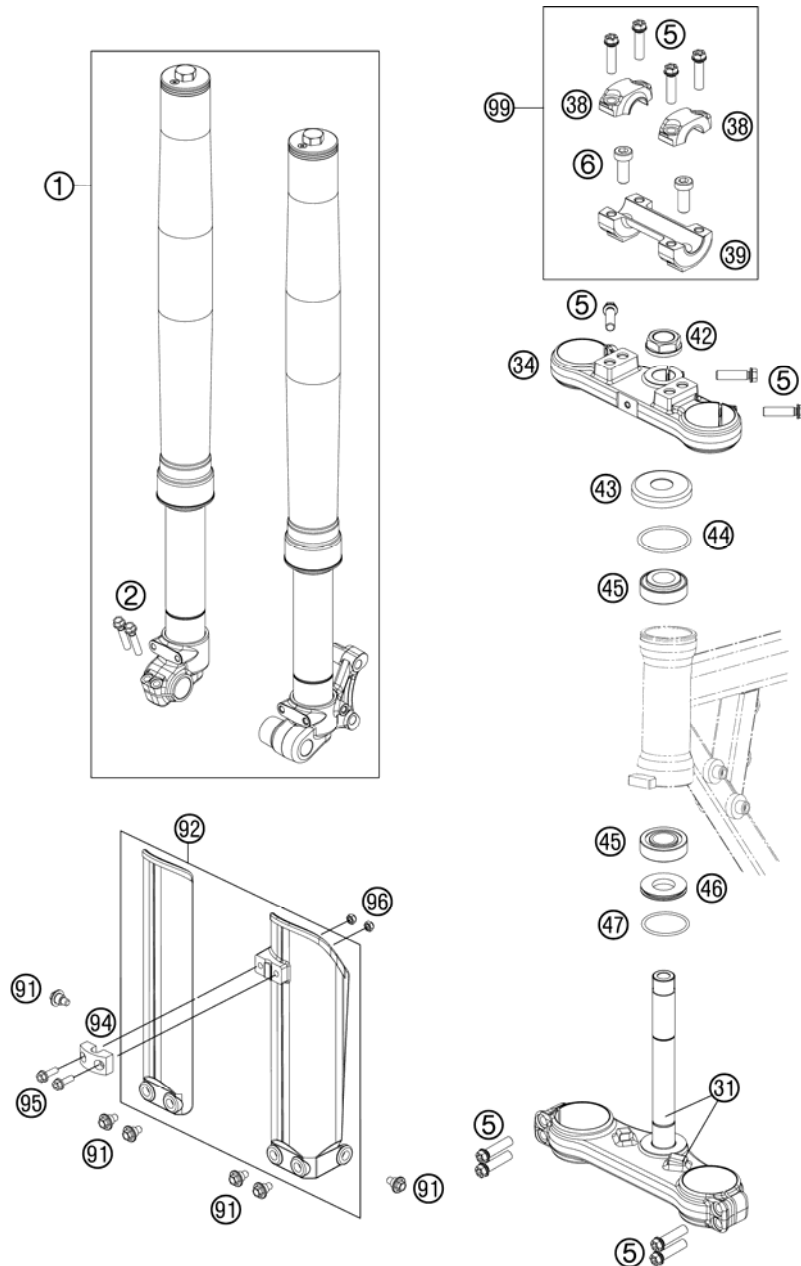


FIG	PART NUMBER	DESCRIPTION	QTY
1*	07181L0301	FORK USD 50SX	1
2	0025060256	HH COLLAR SCREW M6X25 TX30	2
5*	0025080306	HH COLLAR SCREW M8X30 TX40	11
6	0032100256S	AH-COLLAR SCREW M10X25 ISA45	2
31*	45201032022	BOT. TRIPLE CLAMP CPL.	1
34*	45201034022	TOP TRIPLE CLAMP	1
38	50301038000	HANDLEBAR CLAMP D=22MM 2001	2
39*	45201039000	HANDLEBAR SUPPORT 50SX D=22MM	1
42*	59030029000	HH NUT M20X1,5 WS=27 RIGHT	1
43	49001086000	COVERING CAP	1
44	0770021300	O-RING 40,94X2,62 NBR70	1
45	49001081000	TAPERED ROLLER BEARING 32004X	2
46	46001086000	PROTECTION RING 20,1X39X5	1
47	0770360030	O-RING 36,00X3,00 NBR	1
91*	59001092050	SPECIAL SCREW M6X12,5 WS=8	6
92*	4610109400028	FORK PROTECTOR SET 65 SX WHITE	1
94*	5460108500028	BRAKE HOSE CLIP	1
95*	0025050166	HH COLLAR SCREW M5X16 TX30	2
96*	0985050003	SELF LOCKING NUT DIN0985-M 5	2
99*	00050000925	HANDLEBAR SUPPORT KIT 50SX '12	1

124520110 / C124520112

* NEW PART

X AS REQUIRED

FRONT FORK DISASSEMBLED

50 SXS USA 2012

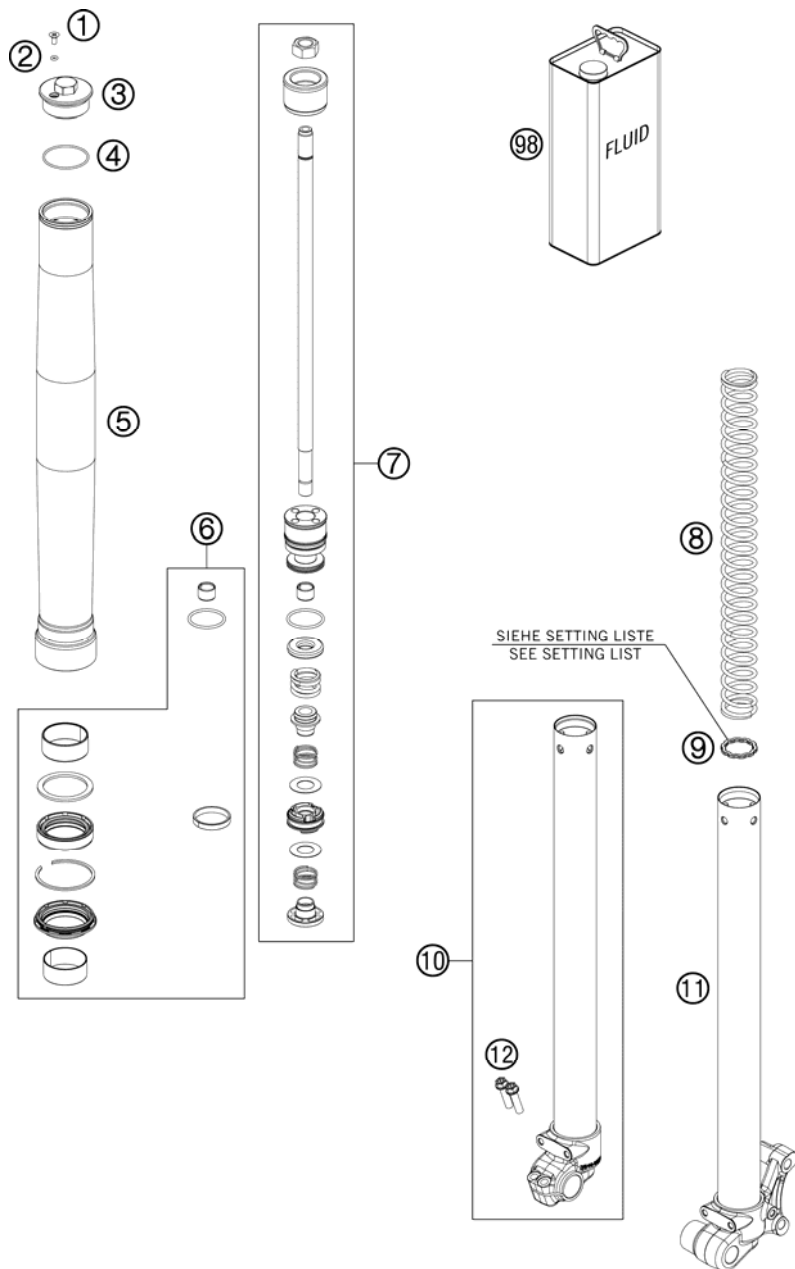


FIG	PART NUMBER	DESCRIPTION	QTY
1*	48600481	VENT SCREW M4X8	2
2*	48600046	O-RING NBR 3X1,5	2
3*	35480459	SCREW CAP M38X1.5	2
4*	46180581	O-RING 35X1.5 NBR70	2
5*	35480453	OUTER TUBE L=425	2
6*	R703	REPAIR KIT 50SX 2012	1
7*	35480462S1	PISTON ROD 50SX CPL.	2
8*	95010051S	SPRING 2.0N/MM SET D=3.1MM	2
9*	35480497	WASHER 22X30X2.5	x
10*	35480455S1	AXLE CLAMP R/S CPL. W. TUBE	1
11*	35480456S1	AXLE CLAMP L/S CPL. W. TUBE	1
12*	0025060256	HH COLLAR SCREW M6X25 TX30	2
98*	48600765	FORK OIL SAE5	1

124520130 / C124520131

* NEW PART

X AS REQUIRED

HANDLEBAR, CONTROLS

50 SXS USA 2012

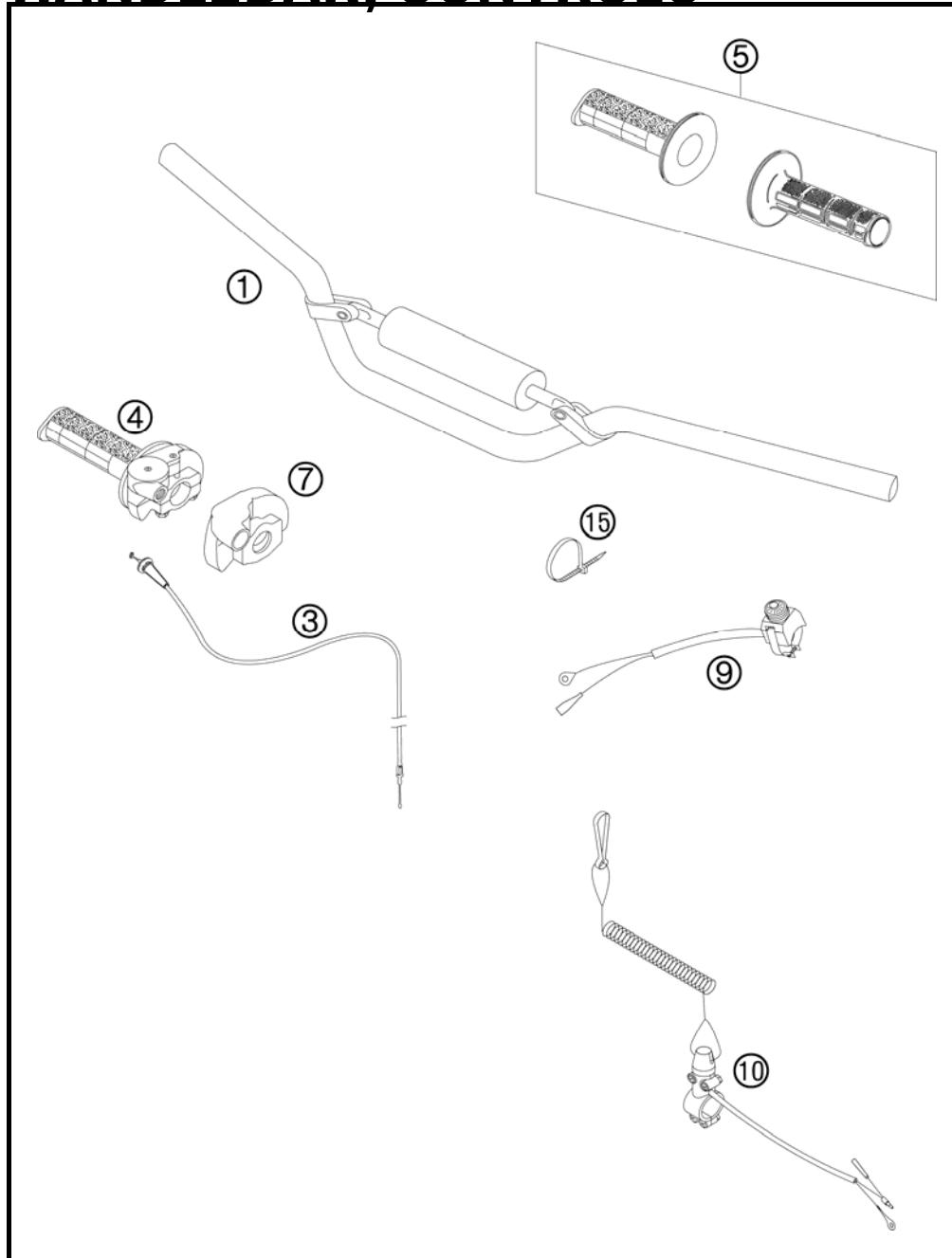


FIG	PART NUMBER	DESCRIPTION	QTY
1*	45202001100	HANDLEBAR D=22MM	1
3*	45202091000	THROTTLE CABLE 50SX 2012	1
4*	46202010000	THROTTLE GRIP 65SX 09	1
5*	63002021100	GRIP SET DUAL COMPOUND	1
7*	50302020000	PROTECTION COVER '97	1
9	50311089200	SHORT CIRCUIT BUTTON 02	1
10	45011089044	S.CIRCUIT BUTTON W. RIP CORD ACCESSORY	x
15	44011076140	CABLE TIE 140/2,5MM BLACK	x
15	44011076200	CABLE TIE 200/3,6MM BLACK	x

124520210 / C124520210

* NEW PART

X AS REQUIRED

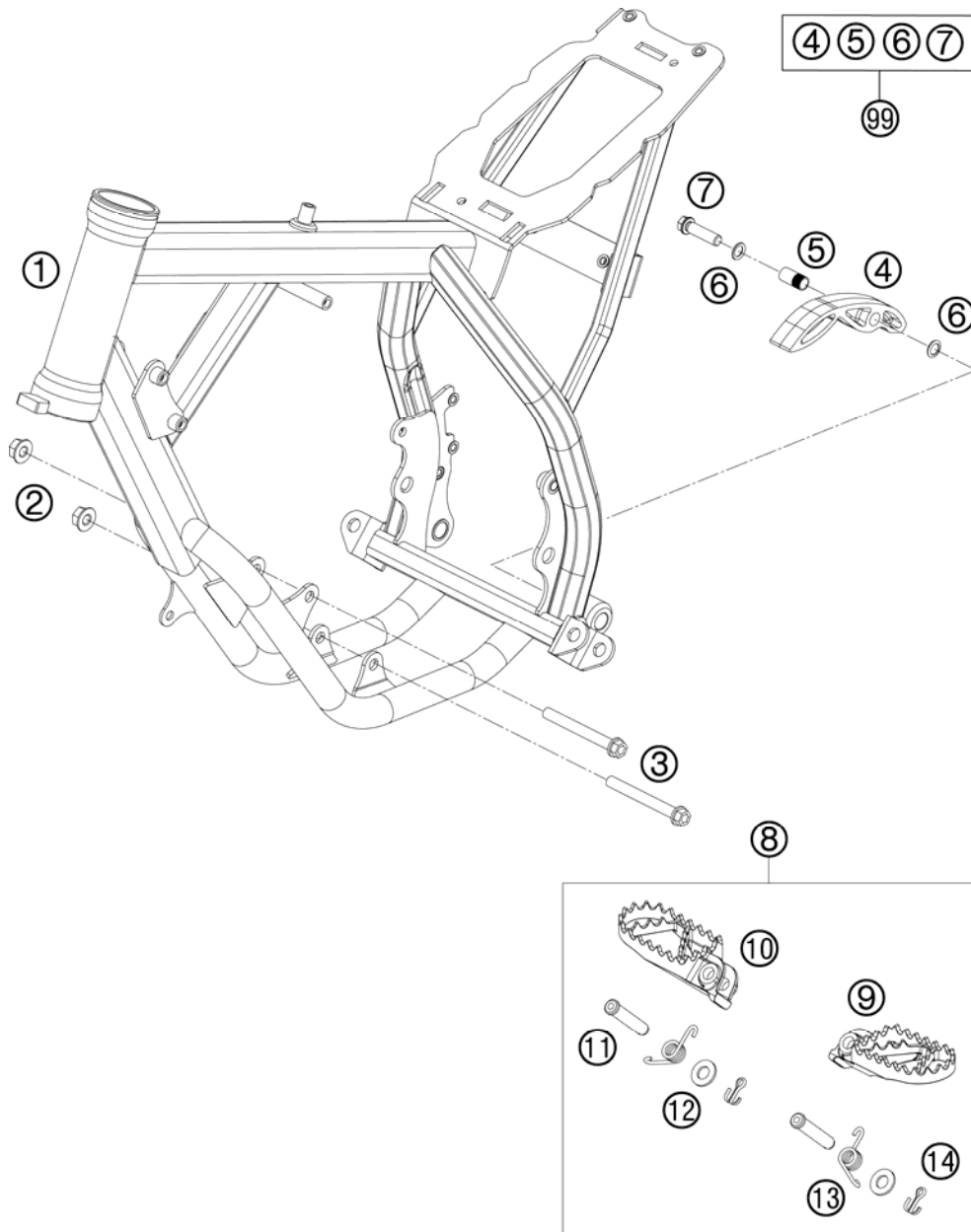


FIG	PART NUMBER	DESCRIPTION	QTY
1*	4520300130033	FRAME BLACK M. "452L3"	1
2	54310086200	SELF LOCKING NUT M8 10.9	2
3	0025080656	HH COLLAR SCREW M8X65 TX40	2
4	51103053000	CHAIN SLIDING PIECE BELOW '97	1
5	51103053051	BUSHING 8,2X10X20	1
6	36003014000	LOCK WASHER 8MM	2
7	0025080306	HH COLLAR SCREW M8X30 TX40	1
8	4700304003390	FOOTPEG L.+R. CPL. 85 SX 03	1
9	59003040050	FOOT PED L/S EXC SILVER 2000	1
10	59003041050	FOOT PED R/S EXC SILVER 2000	1
11	54803044000	BOLT FOR FOOT PED 03	2
12	0125100003	WASHER DIN0125-A10,5	2
13	54603041000	FOOTREST SPRING L/S & R/S	2
14	0094032253	PIN DIN0094-3,2X25 STEEL	2
99*	51103053110	CHAIN SLIDING KIT BELOW MINI	1

124520310 / C124520310

* NEW PART

X AS REQUIRED

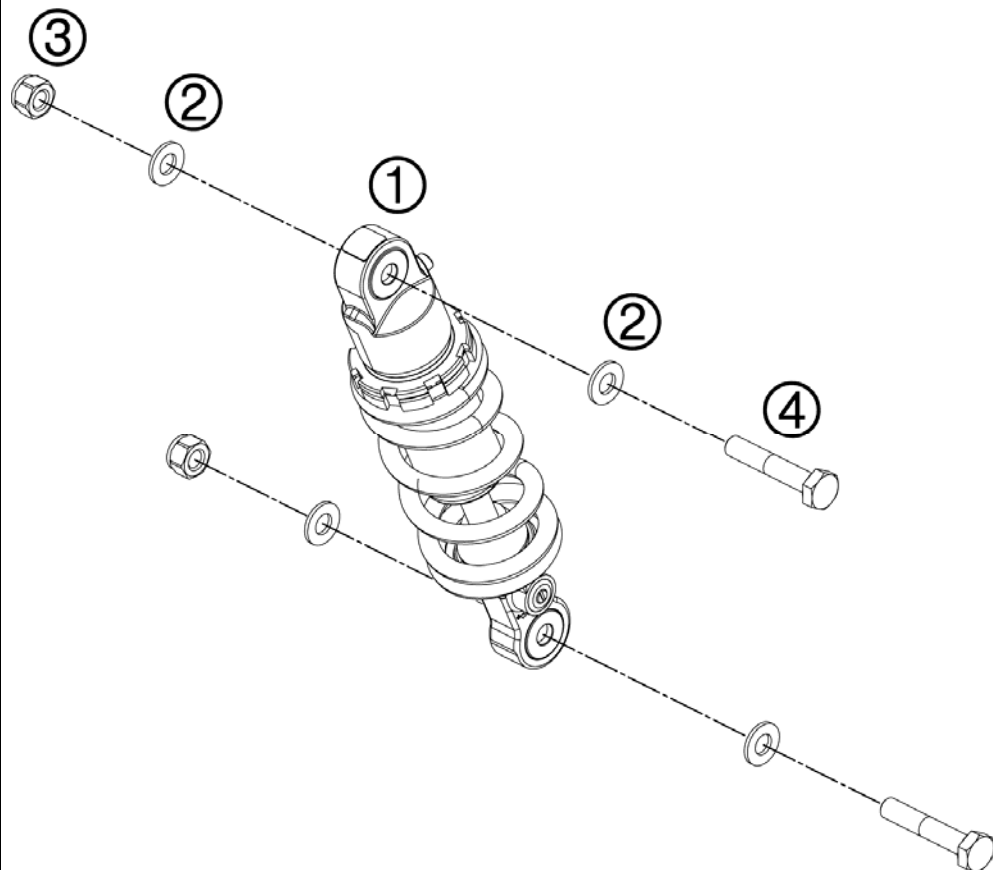


FIG	PART NUMBER	DESCRIPTION	QTY
1*	03189L0201	MONOSHOCK 50SX 2012	1
2	0125100003	WASHER DIN0125-A10,5	4
3	0982100003	SELF LOCK.NUT DIN0982-M10 HIGH	2
4	0931100453	HH SCREW DIN0931-M10X45	2

124520410 / C124520411

* NEW PART

X AS REQUIRED

MONOSHOCK DISASSEMBLED

50 SXS USA 2012

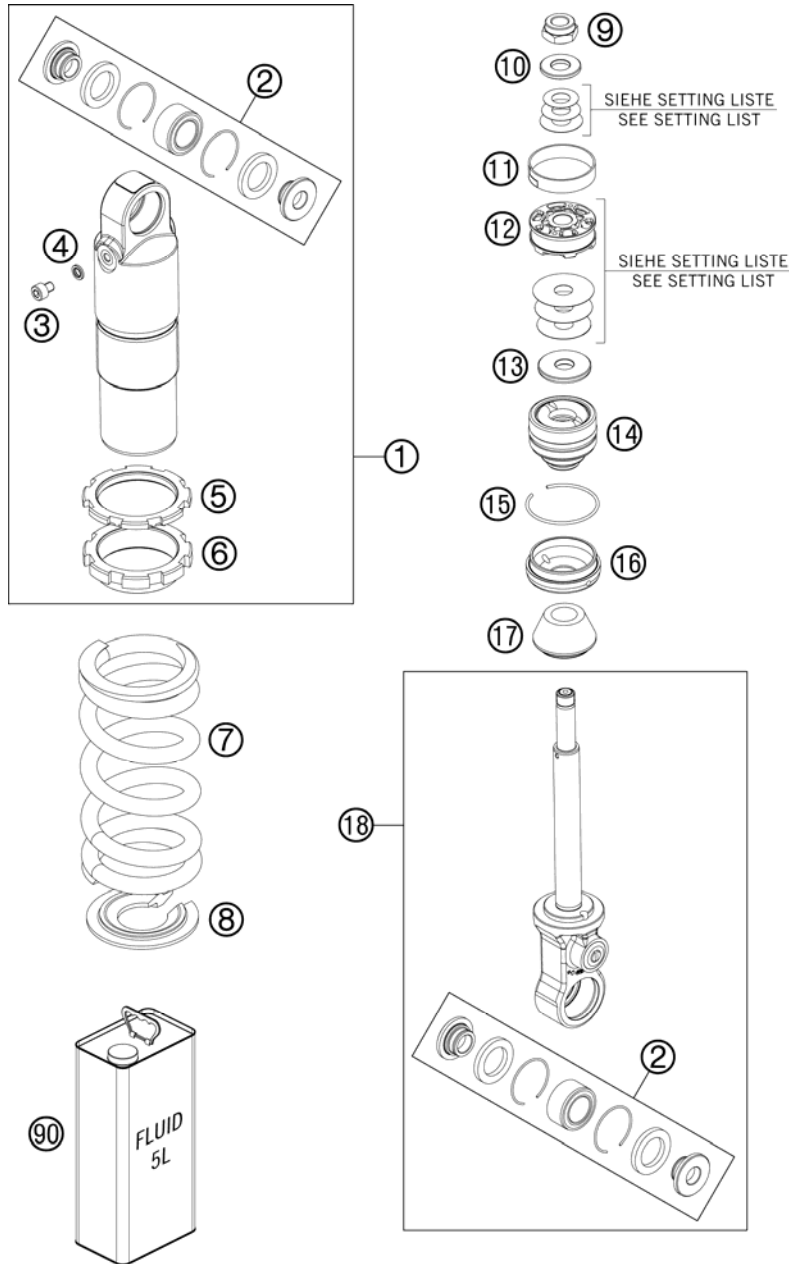


FIG	PART NUMBER	DESCRIPTION	QTY
1	36120784S	MONOSHOCK TOP PART L140 CPL.07	1
2	R306	REPAIR KIT BEARINGS 50SX JUN07	2
3	36120785	SCREW M5 C.K. RVS	1
4	36120782	SEAL D5,21XD8,38X1,22	1
5	36120015	COUNTERNUT	1
6	36120418	ADJUSTING NUT	1
7	93010184S	SPRING 65N/MM 65-120 120MM ORA	x
7	93010185S	SPRING 75N/MM 75-120 120MM ORA	x
7	93010186S	SPRING 85N/MM 85-120 120MM ORA	x
8	36120461	SPRING RETAINER D=39	1
9	36120052	PISTON ROD NUT M10X1	1
10	36120604	SHIM D10XD22X2,5	1
11	36120040	PISTON RING 8X1X108,3	1
12	36120071	* PISTON 6+6XD5.5/3.5	1
13	36120786	REBOUND DISC H=10 D=28,5	1
14	36120787S	ADAPTOR 36MM H26,6 CPL. 07	1
15	40540015	CIRCLIP 38X1,5	1
16	36120780	RESERVOIR CAP D=36 H=9,5	1
17	36120427	BUMP RUBBER WP65 L=20	1
18	36120777S1	MONOSH. BOTTOM PART L86 CPL.07	1
90*	50180751S1	SHOCK ABSORBER FLUID 5 LT	1

124520430 / C124520430

* NEW PART

X AS REQUIRED

SWING ARM

50 SXS USA 2012

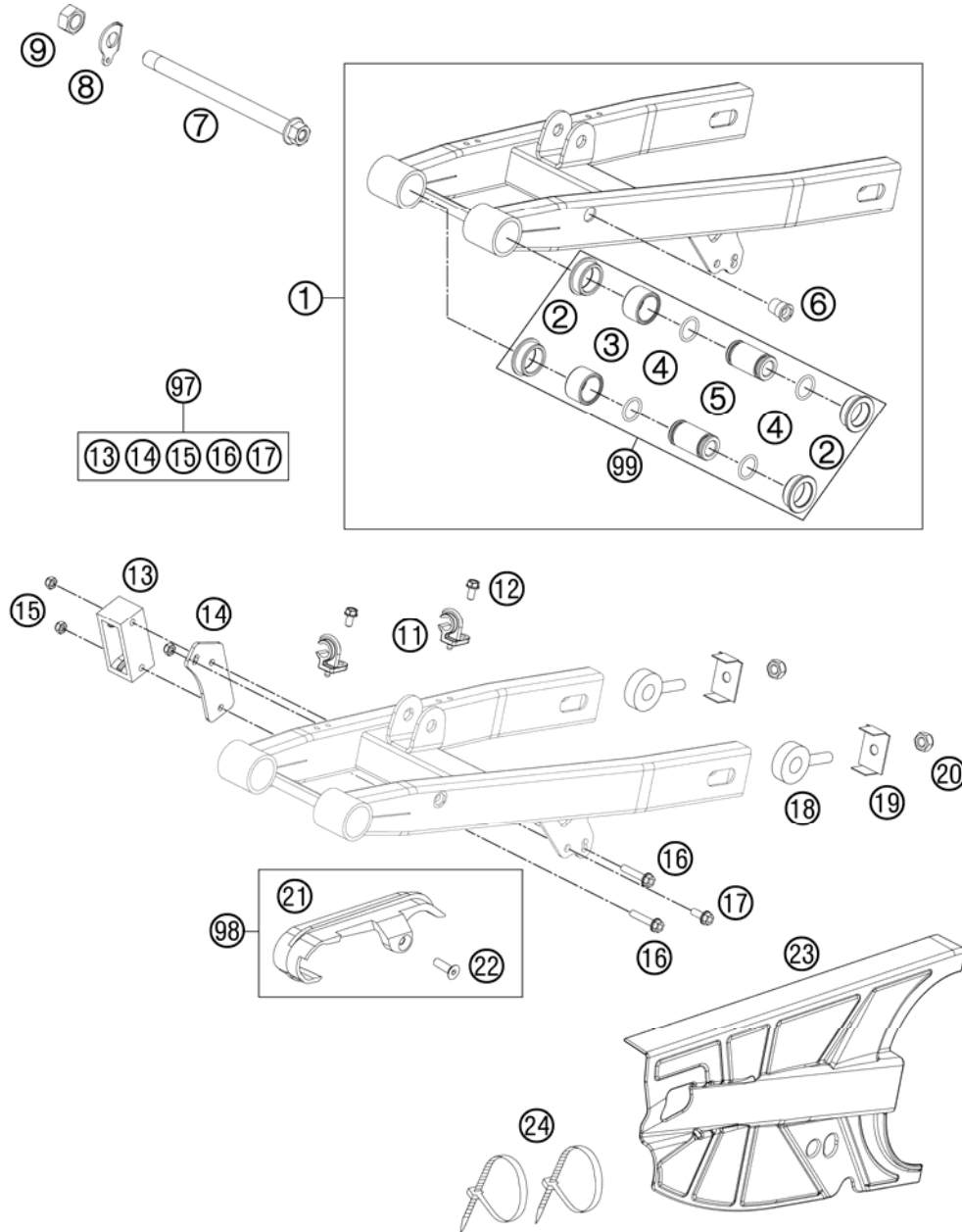


FIG	PART NUMBER	DESCRIPTION	QTY
1	45204030033	SWING ARM CPL. 50SX 09 (MB9S)	1
2	46004030070	SPACER BUSHING 20X26X30X9,7	4
3	54603097000	NEEDLE BUSH HK 2016	2
4	0770160021	O-RING 16,00X2,00 VITON	4
5	46004030071	BUSHING BOX 12X20X36,5	2
6	55003139900	BLIND RIVET THREAD M6 STE. 4MM	1
7	45103014144	SWING ARM BOLT CPL. 2004	1
8	45213053000	LOCK WASHER 50 SX	1
9	0934120103	HEXAGON NUT DIN0934-M12X1	1
11	54611076100	RETAIN.CLAMP FOR BRAKE HOSE'96	2
12	0009050106	EJOT SPIRAL SCREW SF M5X10-K	2
13	45004070000	CHAIN GUIDE REAR	1
14	45104170000	BRACKET FOR CHAIN GUARD 02	1
15	0985050003	SELF LOCKING NUT DIN0985-M 5	3
16	0025050306	HH COLLAR SCREW M5X30 TX30	2
17	0025050126	HH COLLAR SCREW M5X12 TX30	1
18	45010083000	CHAIN ADJUSTER	2
19	45010083060	SUPPORTING BRACKET	2
20	0985080003	SELF LOCKING NUT DIN0985-M 8	2
21	45204066000	CHAIN SLIDING GUARD	1
22	0991060202	FLAT HEAD DIN7991-M 6X20	1
23	45104061000	CHAINGUARD JUNOIR 08	1
24	44011076305	CABLE TIE 300/4,8MM BLACK	2
97*	45104070044	CHAIN GUIDE KIT MINI 04-11	1
98*	45204066010	CHAIN GUARD KIT 50 SX	1
99*	45204230010	SWINGARM REP. KIT 50/65 SX	1

124520491 / C124520491

* NEW PART

X AS REQUIRED

EXHAUST SYSTEM

50 SXS USA 2012

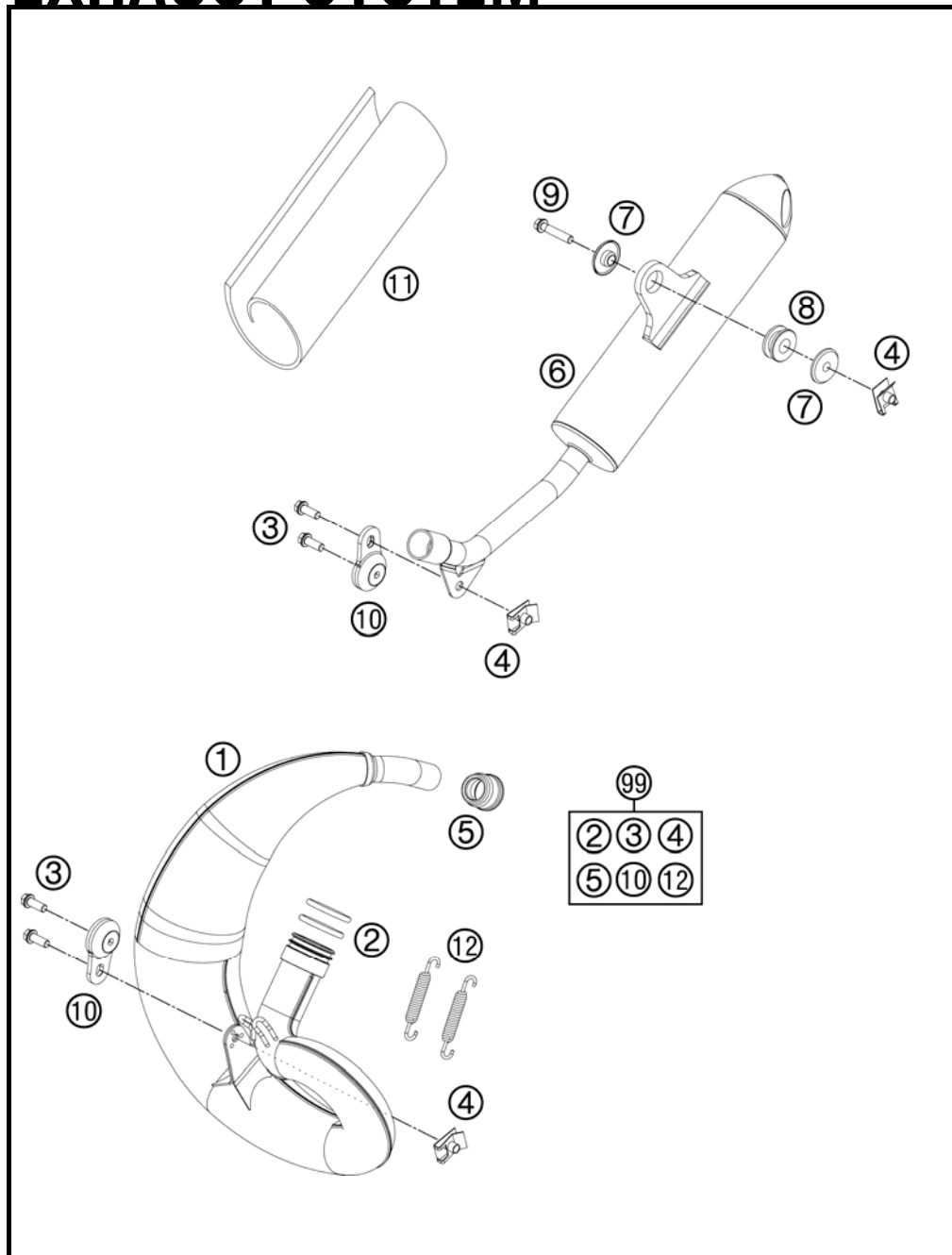


FIG	PART NUMBER	DESCRIPTION	QTY
1	45205107000	EXHAUST MANIFOLD 50 SX 2009	1
2	0770320030	O-RING 32,00X3,00 VITON	2
3	0025060166	HH COLLAR SCREW M6X16 TX30	4
4	54603048100	RANGE CHANGE METAL NUT M6	3
5	45105057000	EXHAUST RUBBER MINI 2002	1
6	45205079000	SILENCER 50 SX 2009	1
7	54605069000	BUSHING 7,5X12X28X7,8 '96	2
8*	77205068000	DAMP. COMPON. BLACK	1
9	0025060306	HH COLLAR SCREW M6X30 TX30	1
10	50305012000	SWINGELEMENT FOR EXHAUST PIPE	2
11	45105079056	ROCKWOOL PREFORMED 50 2002	1
12	50305016000	TEN.SPRING L=62MM EY.MOVEABLE	2
99	00050000813	EXHAUST HARDWARE KIT MINI	1

124520510 / C124520511

* NEW PART

X AS REQUIRED

AIR FILTER BOX

50 SXS USA 2012

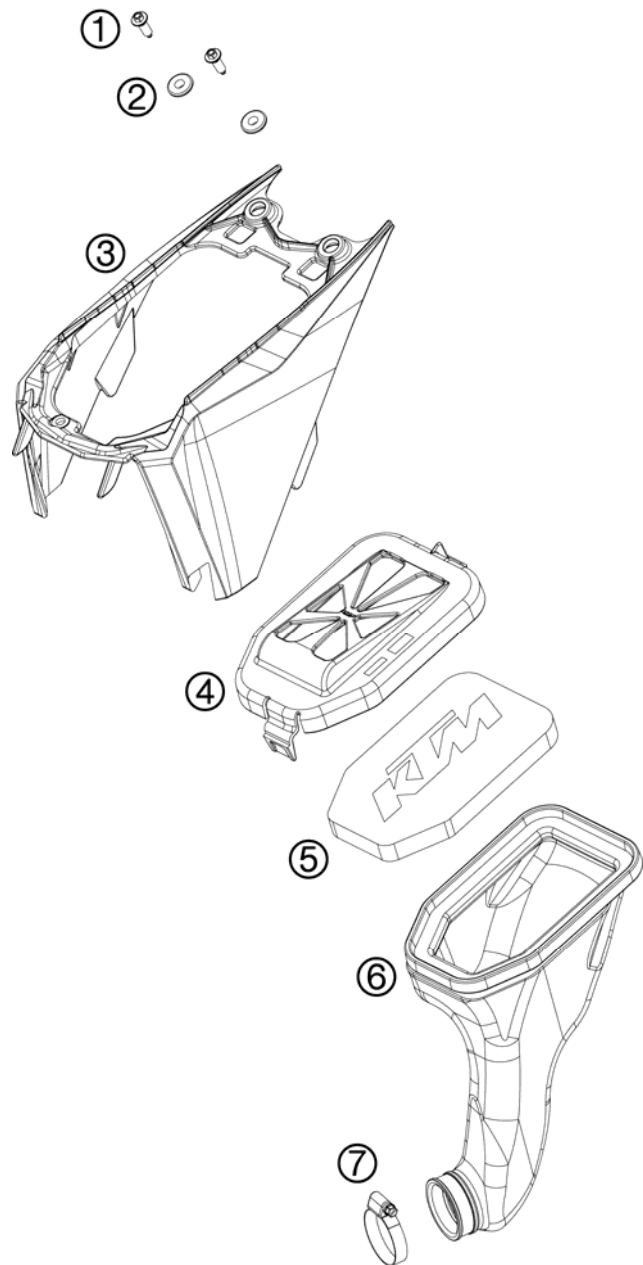


FIG	PART NUMBER	DESCRIPTION	QTY
1	0017060203	EJOT PT SCREW K60X20 WS=6	2
2	54808020000	SPACER BUSHING 03	2
3	4520600100030	AIRFILTERBOX 50 SX 09	1
4	45206002000	FILTER BOX COVER 50 SX 09	1
5	45206015000	AIR FILTER 50 SX 09	1
6	45206026000	CARBURETOR CONNECT. 50 SX	1
7	76235028000	HOSE CLAMP GEMI 20-32 MM	1

124520611 / C124520611

* NEW PART

X AS REQUIRED

TANK, SEAT, COVER

50 SXS USA 2012

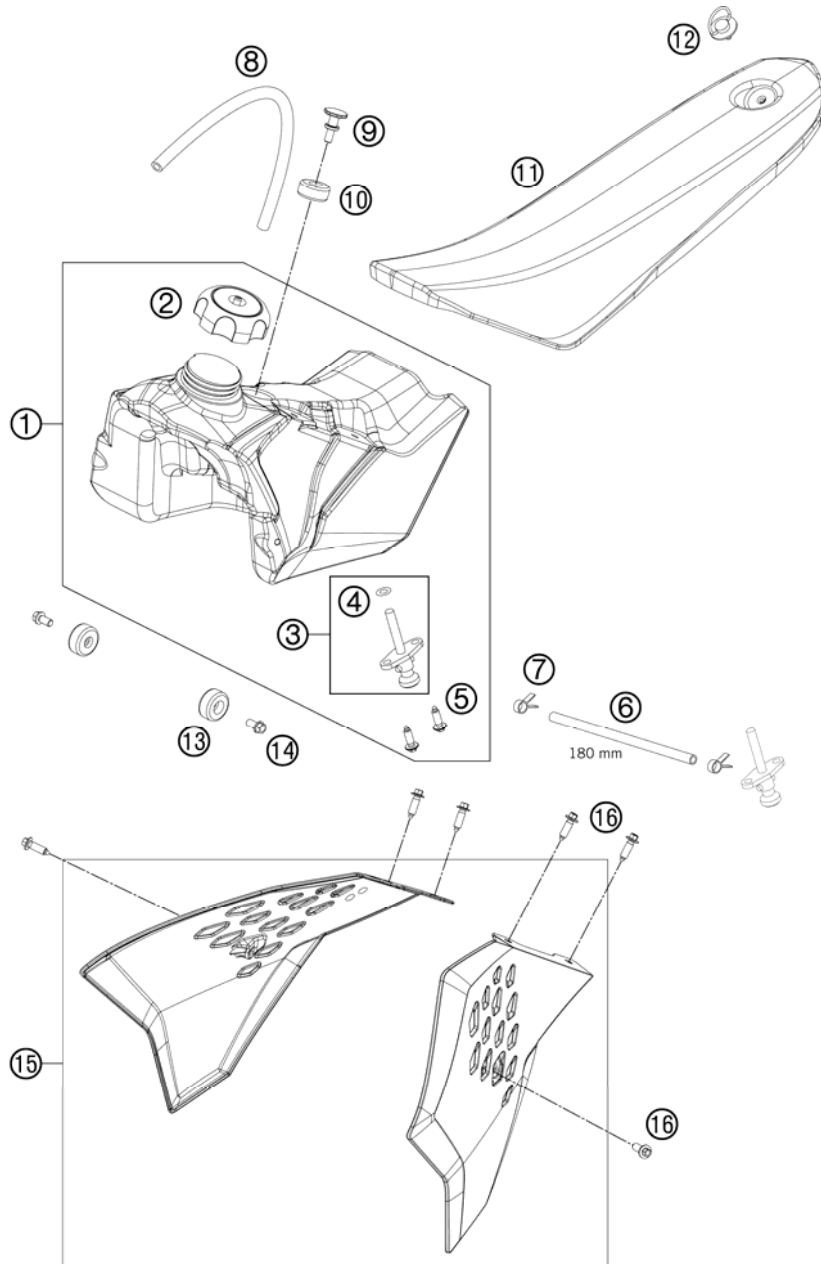


FIG	PART NUMBER	DESCRIPTION	QTY
1	4520701303330	FUEL TANK CPL. 50 SX 2009	1
2	49007008044	FILLER CAP CPL. SMALL	1
3	58507003000	% FUEL COCK CPL. SM. RALLYE'96	1
4	0770020130	O-RING 1,78x10,82x14,38 2-013	1
5	0017060203	EJOT PT SCREW K60X20 WS=6	2
6	58307016001	FUEL HOSE VITON 6X1,5 PER/M	1
7	45031005000	YDNAC-CLAMP FUEL HOSE (8MM)	2
8	78007000270	PVC-HOSE 5,6X10X270MM	1
9	45107011000	TANK SCREW MINI 50 2001	1
10	50307014000	TANK ROLLER 12X26X12 '98	1
11	45207040000	SEAT 50 SX 09	1
12	45007040051	QUICK RELEASE CPL. 50 SXR '97	1
13	50307014000	TANK ROLLER 12X26X12 '98	2
14	0025060126	HH COLLAR SCREW M6X12 TX30	2
15*	4520805400004A	SPOILER SET ORANGE 50SX 2012	1
16	0017060204	EJOT PT SCREW K60X20 ALU WS=6	6

124520710 / C124520711

* NEW PART

X AS REQUIRED

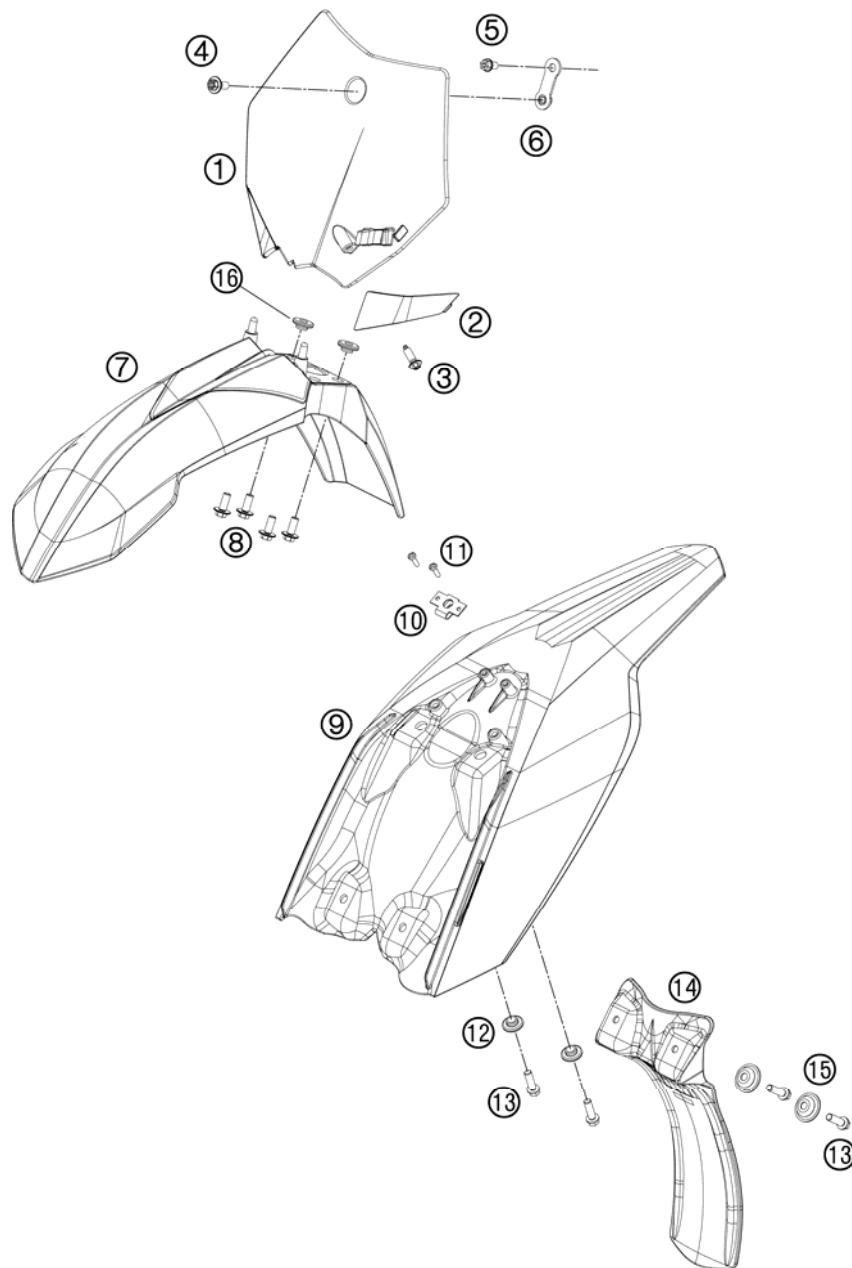


FIG	PART NUMBER	DESCRIPTION	QTY
1	4520800700028	START NUMBER PLATE	1
2	4520802200030	BRAKE HOSE GUIDE	1
3	0017060204	EJOT PT SCREW K60X20 ALU WS=6	1
4	0024060106	HH COLLAR SCREW M6X10 TX30	1
5	0025060106	HH COLLAR SCREW M6X10 TX30	1
6	45208007050	RETAINING PLATE F. NUMBER PL.	1
7	45208010000X4	FENDER FRONT SX 2010	1
8	0024060156	HH COLLAR SCREW M6X15 TX30	4
9	4520801300028	REAR PART WHITE	1
10	45007040050	QUICK RELEASE LATCHPLATE	1
11	0981350163	SHEET MET.SCR.DIN7981- 3,5X16	2
12	54808020000	SPACER BUSHING 03	2
13	0025060206	HH COLLAR SCREW M6X20 TX30	4
14	45206010000	SPLASH PROTECT. 50 SX 2009	1
15	72210079000	BUCKET	2
16	50213161000	COLLAR BUSHING	2

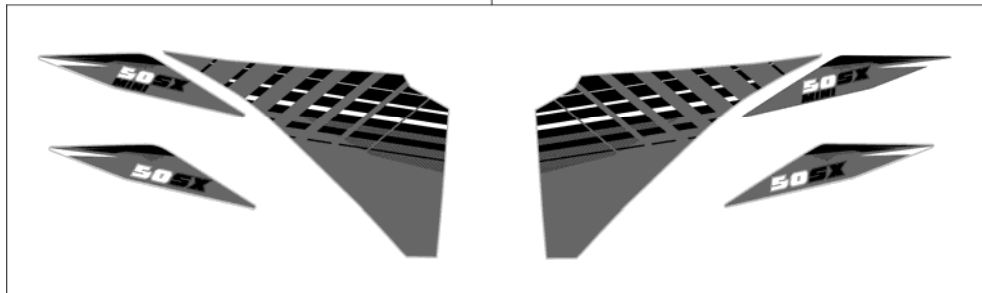
124520811 / C124520811

* NEW PART

X AS REQUIRED

FIG	PART NUMBER	DESCRIPTION	QTY
1*	45208097144	DECALSET 50 SX / MINI 2012	1

①



124520830 / C124520830

* NEW PART

X AS REQUIRED

FRONT WHEEL

50 SXS USA 2012

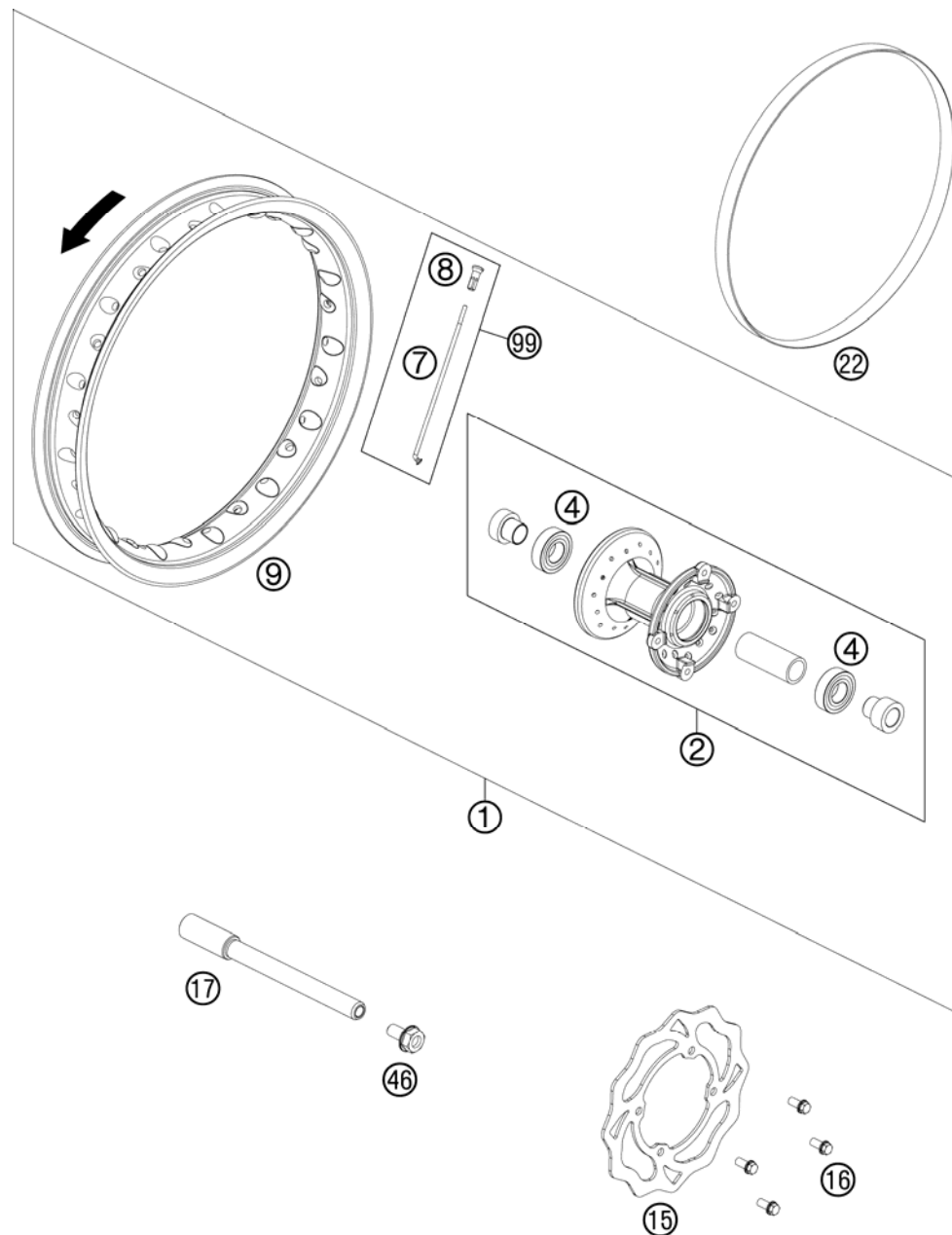


FIG	PART NUMBER	DESCRIPTION	QTY
1*	45209001244	FRONT WHEEL 50 SX 2012	1
2*	45209010044	FRONT WHEEL HUB CPL.	1
4*	0625060037	GR.BALL BEAR. 6003-2RSH/C3HMTF	2
7*	45209071126	SPOKE 3X126C.110°C.5 Zinc 2012	28
8*	46210072000	SPOKE NIPPLE ALU	28
9*	4520907020030	FRONT RIM 12"X1,5 SCHW. '12	1
15	45209060000	BRAKE DISC FRONT JUN/SEN 09	1
16	59009062013	SPECIAL SCREW M6X13 WS=8 10.9	4
17*	45209081000	AXLE FRONT	1
22	45109073100	RIM BAND 12"	1
46*	49032011000	HH COLLAR SCREW M10X20 WS=17	1
99	00050000952	SPOKE KIT FRONT 10" '12	1

124520911 / C124520911

* NEW PART

X AS REQUIRED

REAR WHEEL

50 SXS USA 2012

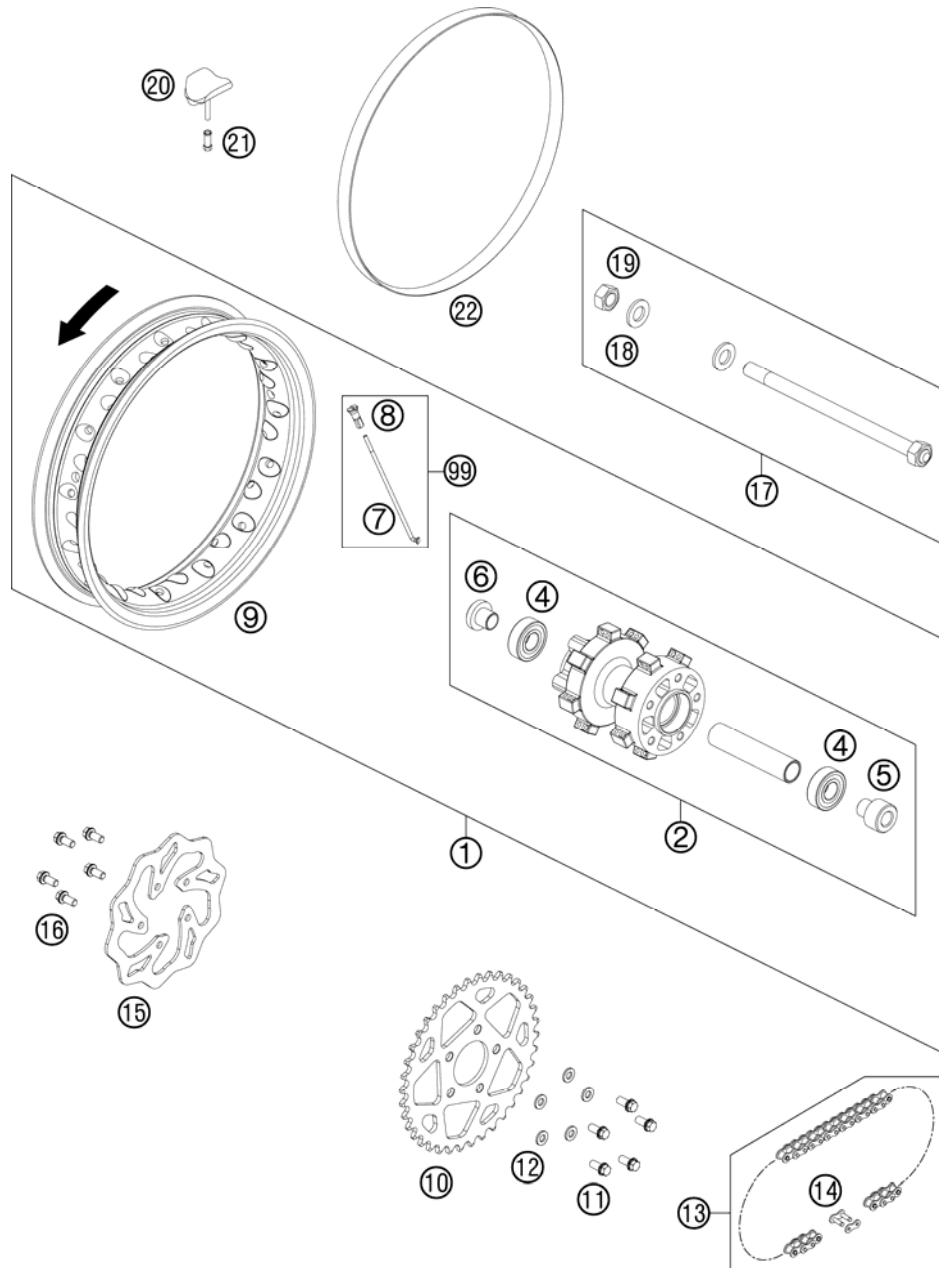


FIG	PART NUMBER	DESCRIPTION	QTY
1*	45210001344	REAR WHEEL 50SX/MINI 2012	1
2	45110010144	REAR WHEEL HUB CPL. 2004	1
4	0625062028	BALL BEARING 6202-2RSH/C3	2
5	45110014000	DISTANCE SLEEVE L/S	1
6	45110013000	DISTANCE SLEEVE R/S	1
7*	45210071113	SPOKE 3X113 C.166° C.2,3	28
8*	46210072000	SPOKE NIPPLE ALU	28
9*	4521007010030	REAR RIM 10"X1.6 BLK. 2012	1
10	45210051038	SPROCKET 38-T 50 SX 2009	x
10	45210051039	SPROCKET 39-T 50 SX 2009	x
10	45210051040	SPROCKET 40-T 50 SX 2009	x
10	45210051041	SPROCKET 41-T 50 SX 2009	x
10	45210051042	SPROCKET 42-T 50 SX 2009	x
11	0015070203	HH COLLAR SCREW M 7X20 WS=11	5
12	45110052000	SHIM	5
13	45110265104	RACING CHAIN 1/2X3/16" 50 SX	1
14	45110266000	CONNECTING LINK 1/2X3/16" 90RS	1
15	45210060000	BRAKE DISC REAR D=140MM 09	1
16	59009062016	SPECIAL SCREW M6X16 WS=8 10.9	5
17	46010085044	AXLE CPL. 207MM M12X1	1
18	0125120003	FLAT WASHER DIN0125-A13	2
19	0934120103	HEXAGON NUT DIN0934-M12X1	2
20	45110090000	RIM LOCK CPL. 2004	1
21	50310090050	NUT FOR WHEEL HOLDER '96	1
22	45009073000	RIM BAND 10" 22MM	1
99*	00050000953	SPOKE KIT REAR 10" '12	1

124521010 / C124521010

* NEW PART

X AS REQUIRED

HAND BREAK CYLINDER

50 SXS USA 2012

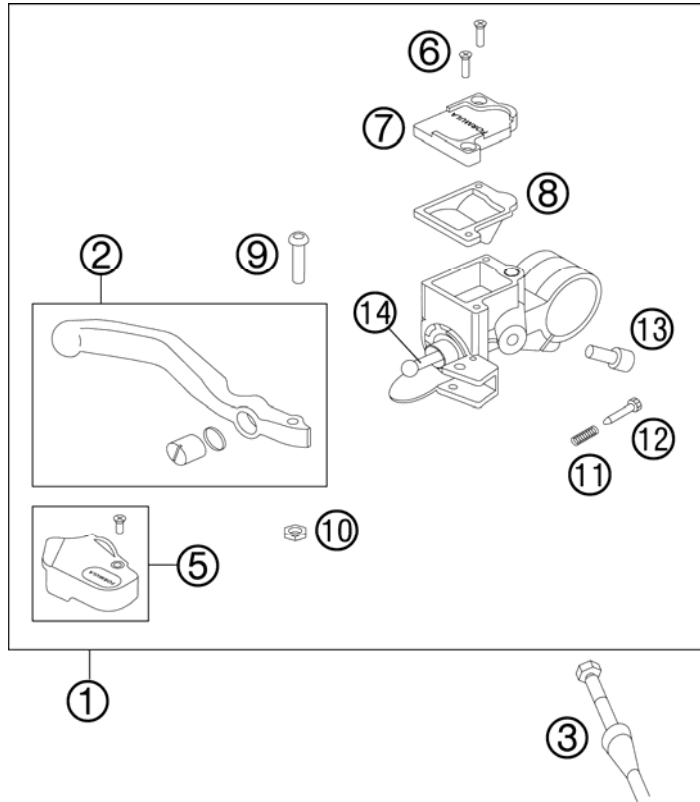


FIG	PART NUMBER	DESCRIPTION	QTY
1	45113101044	HAND BRAKE CYLIND.CPL.50 LC 02	1
2	45113002000	HANDBRAKE LEVER CPL. R/S 02	1
3*	45213012000	BRAKE HOSE FR. 50SX	1
4	00062030000	BRAKE FLUID DOT5.1 0,25L	1
5	45113004000	PROT.CAP HAND BRAKE CYL. 50 LC	1
6	0966030083	OVAL HEAD SCREW DIN0966-M 3X8	2
7	45113003000	HAND BRAKE CYLINDER COVER 04	1
8	45113009000	GASKET HAND BRAKE CYLINDER 04	1
9	45113006000	SPECIAL-AH SCREW M 5X18	1
10	45113013000	NUT M5 DIN 6334	1
11	45113021000	SPRING FOR HAND BRAKE LEVER 04	1
12	45113007000	ADJUSTING SCREW M 3X16 04	1
13	0912050103	AH SCREW DIN0912-M 5X10	1
14	45113008000	REP.KIT PISTON FRONT 50 04	1

124521310 / C124521311

* NEW PART

X AS REQUIRED



REAR BRAKE CONTROL

50 SXS USA 2012

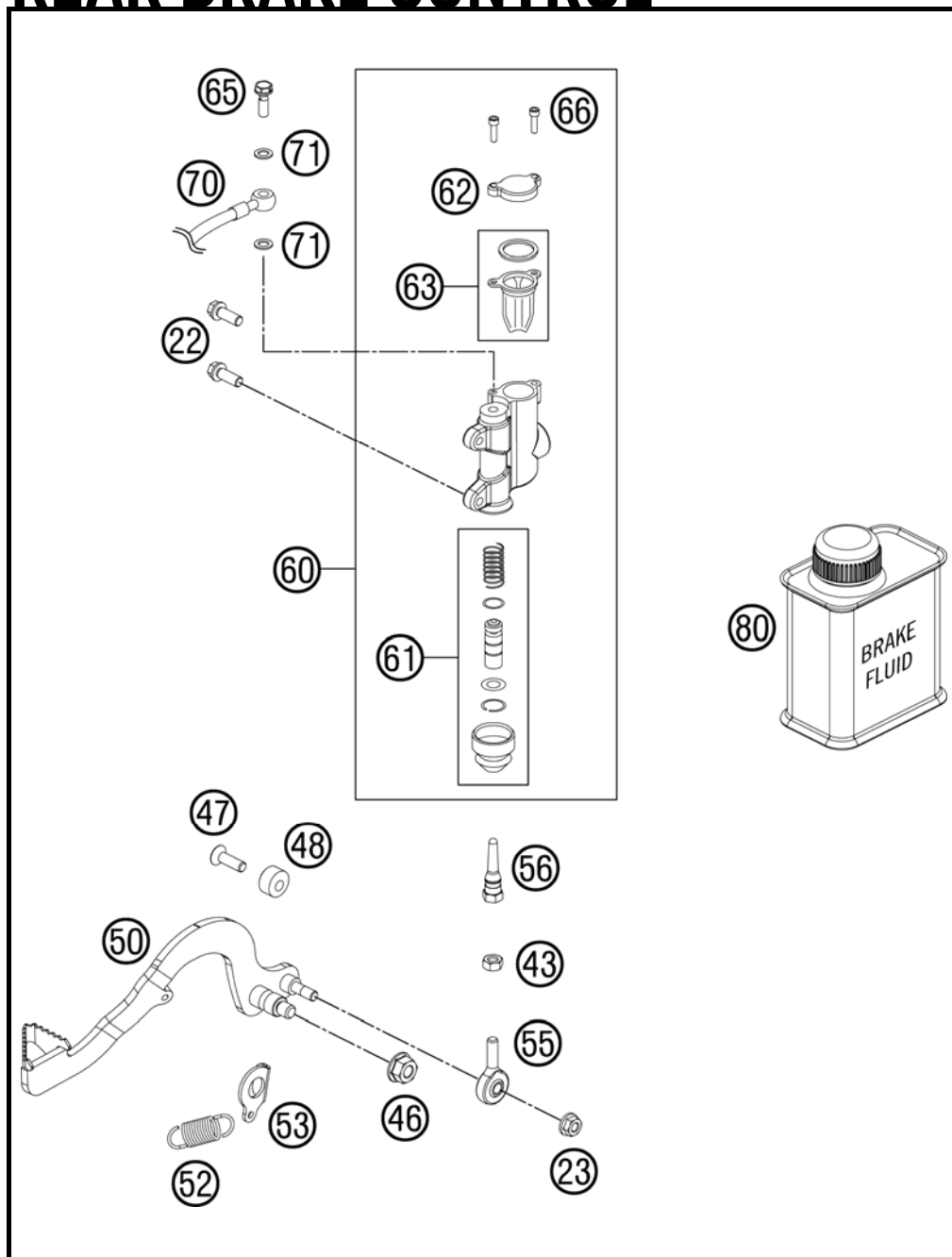


FIG	PART NUMBER	DESCRIPTION	QTY
22	0025060166	HH COLLAR SCREW M6X16 TX30	2
23	56509064100	SELF LOCKING NUT M6 10.9	3
43	0934060003	HEXAGON NUT DIN0934-M 6	1
46	54310086200	SELF LOCKING NUT M8 10.9	1
47	0991060202	FLAT HEAD DIN7991-M 6X20	1
48	45203063000	BRAKE LEVER STOP	1
50	45213050000	FOOT BRAKE LEVER	1
52	54603062000	RETURN SPRING FOR BRAKE LEVER	1
53	45213053000	LOCK WASHER 50 SX	1
55	46213055000	SWIVEL HEAD KA6 INNOX	1
56	46213056000	PUSH ROD	1
60	46113060000	REAR BRAKE CYL. 50+65 04	1
61	47013061000	REP. SET PISTON REAR D=11 2003	1
62	47013062000	CYLINDER COVER REAR 85 SX 03	1
63	47013063000	GASKET CYLINDER COVER REAR 03	1
65	46113325000	HOLLOW SCREW M6	1
66	0912040103	AH.SCREW DIN0912-M 4X10	2
70	45113170000	BRAKE HOSE REAR 50 LC 04	1
71	0770060019	O-RING 6,00X1,00 FORMULA	2
80	00062030000	BRAKE FLUID DOT5.1 0,25L	1

124521330 / C124521331

* NEW PART

X AS REQUIRED

BRAKE CALIPER FRONT

50 SXS USA 2012

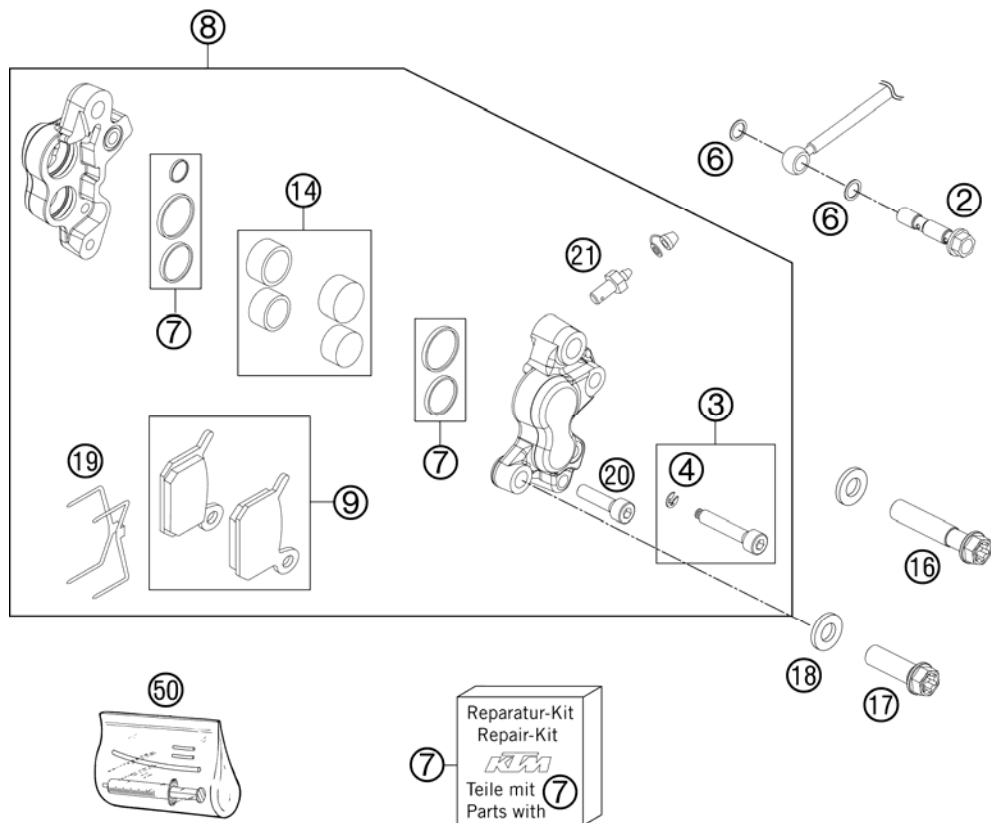


FIG	PART NUMBER	DESCRIPTION	QTY
2	45113025000	HOLLOW SCREW M6X34 50 LC 2002	1
3	45113125000	AH SCREW+CIRCLIP LC 50 02	1
4	0799025000	TAB WASHER DIN6799 RS2,5	1
6	0770060019	O-RING 6,00X1,00 FORMULA	2
7	45113019000	REP.KIT SEAL RING 50LC 2002	1
8	45113015000	BRAKE CALIPER CPL.FR. 50 LC 02	1
9	45113030000	BRAKE PAD SET 50 LC 2002	1
14	45113019050	REPAIR KIT BRAKEPISTON	1
16	0025080406	HH COLLAR SCREW M8X40 TX40	1
17	0025080256	HH COLLAR SCREW M8X25 TX40	1
18	0125080003	WASHER DIN0125-A 8,4	2
19	45113018000	RETAINING SPRING 50 LC	1
20	0912050203	AH SCREW DIN0912-M 5X20	1
21	45113020000	BREATHER SCREW 50 2002	1
50	45119050000	BLEEDER INJECTION-SET 50-65	x

124521360 / C124521360

* NEW PART

X AS REQUIRED

BRAKE CALIPER REAR

50 SXS USA 2012

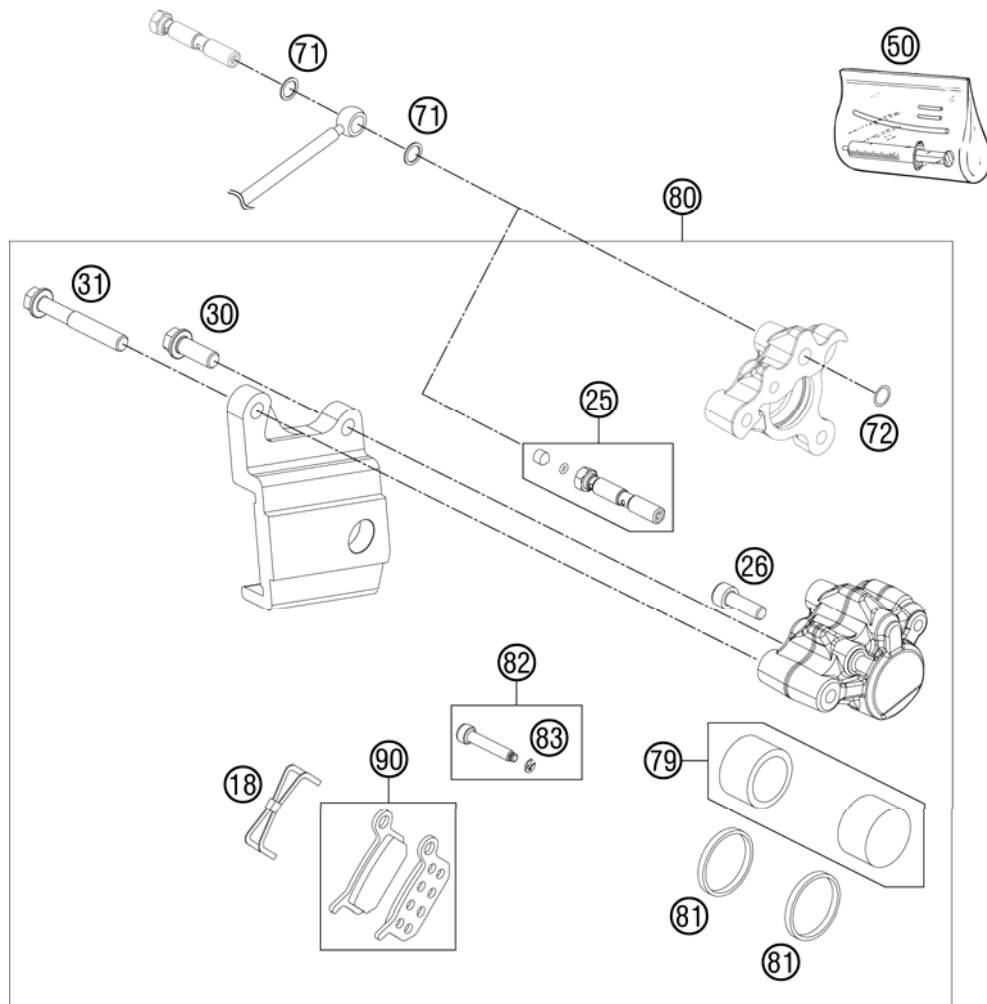


FIG	PART NUMBER	DESCRIPTION	QTY
18	45113018000	RETAINING SPRING 50 LC	1
25	46113225000	HOLLOW SCREW CPL.	1
26	0912050163	AH SCREW DIN0912-M 5X16	1
30	0025060206	HH COLLAR SCREW M6X20 TX30	1
31	0025060406	HH COLLAR SCREW M6X40 TX30	1
50	45119050000	BLEEDER INJECTION-SET 50-65	x
71	0770060019	O-RING 6,00X1,00 FORMULA	2
72	0770080019	O-RING 8,00X1,00 FORMULA	1
79	45113019100	REPAIR KIT BRAKEPISTON	1
80	45113080000	BRAKE CALIPER REAR CPL.50LC 04	1
81	0770022020	O-RING 22X2X2 EPDM	2
82	45113225000	AH SCREW + CIRCLIP 50/65 04	1
83	0799025000	TAB WASHER DIN6799 RS2,5	1
90	45113030000	BRAKE PAD SET 50 LC 2002	1

124521390 / C124521390

* NEW PART

X AS REQUIRED

ACCESSORIES KIT

50 SXS USA 2012

①

OHNE ABBILDUNG
WITHOUT ILLUSTRATION

①

TECHNISCHE DOKUMENTATION
TECHNICAL DOCUMENTATION
DOCUMENTACION TECNICA
DOCUMENTATION TECHNIQUE
NOTE TECNICHE

②⑨

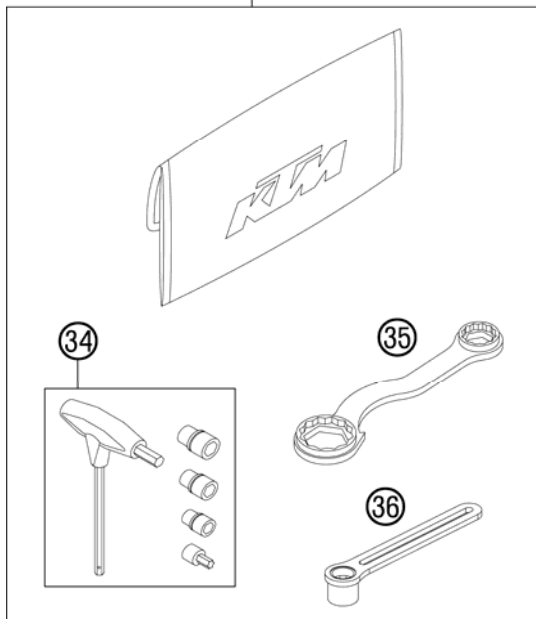


FIG	PART NUMBER	DESCRIPTION	QTY
0	312305	DOCUMENTS BAG 2006	1
0	312313	KTM BALLPOINT PEN ORANGE	1
1*	3211711EN	OWN.MAN. 50SX/SX MINI 2012	1
1	322000	SAFETY BROCHURES SPORTMINICYC.	1
29	45229099000	TOOL KIT 50 SX 09	1
30	45103023300	PLUG-IN STAND 50 SEN LC 03	1
34	60029070200	T-WRENCH WS=6/8/10 TX=45 B&F	1
35	50329080100	WRENCH SW=17/21/27/32 B&F	1
36	45229073000	SPARK PLUG WRENCH	1

124522000 / C124522001

* NEW PART

X AS REQUIRED

CONVERSION KIT 50 SXS

50 SXS USA 2012



FIG	PART NUMBER	DESCRIPTION	QTY
1	45210051038	SPROCKET 38-T 50 SX 2009	1
1	45232005244	CLUTCH SPRING KIT "B"	1
1	45232007044	SPACER SHIM KIT	1
1	SXS09050550	SXS 50 FACTORY SILENCER	1
1	SXS11050044	SXS 50 CHAIN ADJUSTMENT KIT	1
1	SXS11050132	SXS IGNITION COVER ORG	1
1	SXS11050505	SXS 50 EXHAUST PIPE UNFINISHED	1
1	SXS12050039	SXS IGNITION-KIT	1
1	SXS12050040	SXS 50 DISPLACE DECAL SET MY12	1
1	SXS12050050	SXS CLUTCH BOLT KIT	1
1	SXS12050060	SXS 50 REAR SHOCK COMPLETE	1
1	SXS12050061	SXS 50 REAR SHOCK SPRING OHLIN	1

124522099 / C124522099

* NEW PART

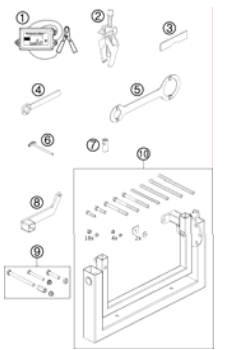
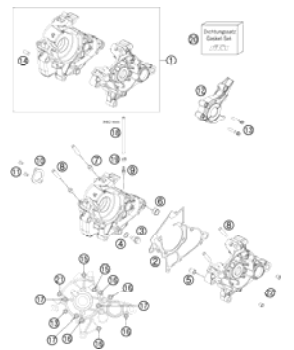
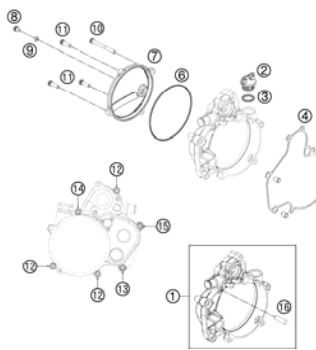

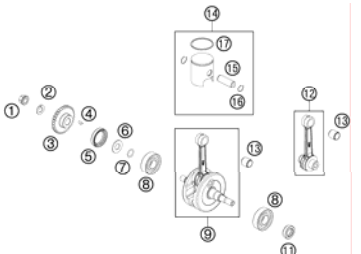
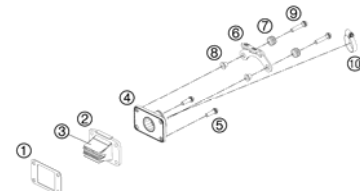
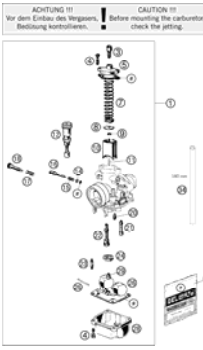
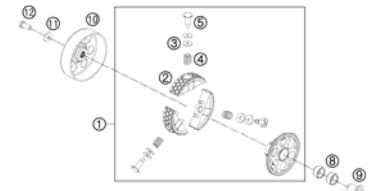
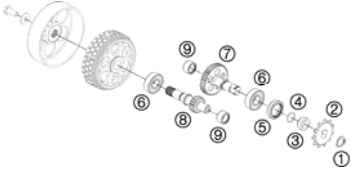
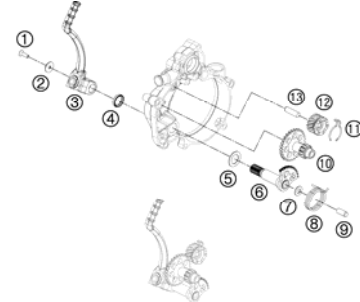

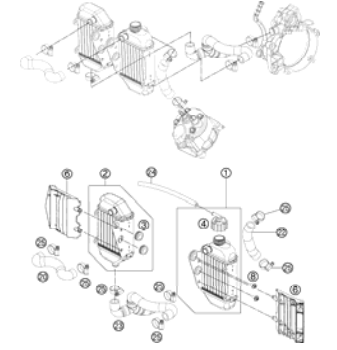
X AS REQUIRED

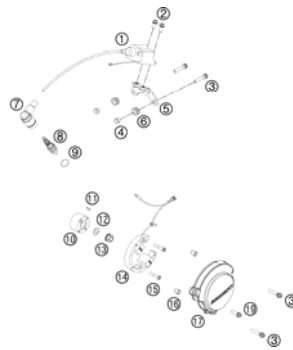
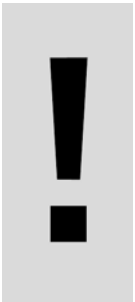
SPARE PARTS MANUAL: ENGINE

ART.NO.: 3CM080256LEN

ENGLISH



SPECIAL TOOLS  3	ENGINE CASE  4	CLUTCH COVER  5	CYLINDER, CYLINDERHEAD  6
CRANKSHAFT, PISTON  7	REED VALVE CASE  8	CARBURATOR <p>ACHTUNG !!! Vor dem Einbau des Vergasers, die Ventile einstellen. CAUTION !!! Before mounting the carburetor, check the setting.</p>  9	CLUTCH  11
TRANSMISSION  12	KICK STARTER  13	WATER PUMP  14	COOLING SYSTEM  15

<p>IGNITION SYSTEM</p>  <p>16</p>			
	 <p>All information contained is without obligation. KTM-Sportmotorcycle AG particularly reserves the right to modify any equipment, technical specifications, prices, colors, shapes, materials, services, service work, constructions, equipment and the like so as to adapt them to local conditions or to cancel any of the above items, all without previous announcement and without giving reasons. KTM may stop manufacturing certain models without previous notice. KTM shall not be held liable for any deviations of availability and/or ability to deliver, illustrations, descriptions, printing and/or other errors. The illustrated models partly contain extra equipment, which is not applied to standard models. © by KTM-SPORTMOTORCYCLE AG, Mattighofen AUSTRIA; All rights reserved; Reprint, also in extracts, with written allowance of KTM-SPORTMOTORCYCLE AG, Mattighofen only.</p>		

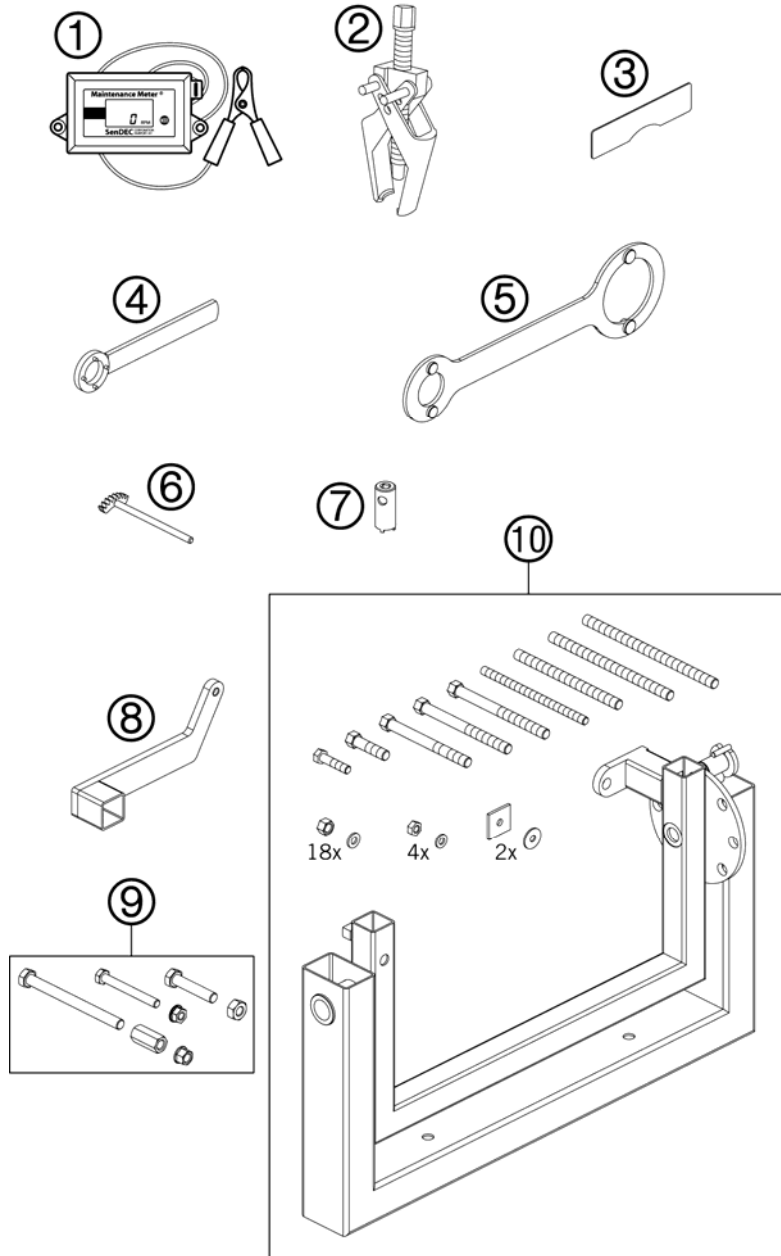


FIG	PART NUMBER	DESCRIPTION	QTY
1	45129075000	REVMETER	1
2	46129021000	EXTRACTOR PRIM. GEAR 65 SX 03	1
3	45129006000	ADJUSTING PLATE 50SX MINI 2001	1
4	45229012000	WRENCH FOR ROTOR	1
5	54629012100	HOLD. SPANNER ROTOR 2K-1/2/3/4	1
6	45229081000	GEAR SEGMENT CPL.	1
7	45229021000	SPECIAL SOCKET CLUTCH	1
8	45229001070	RETAIN. ARM F. ENG.WORK STAND	1
9	45229001060	PICKUP ENGINE STAND CPL.	1
10	56012001000	ASSY SUPPORT (WITHOUT HOLDER)	1

124522910 / C124522910

* NEW PART

X AS REQUIRED

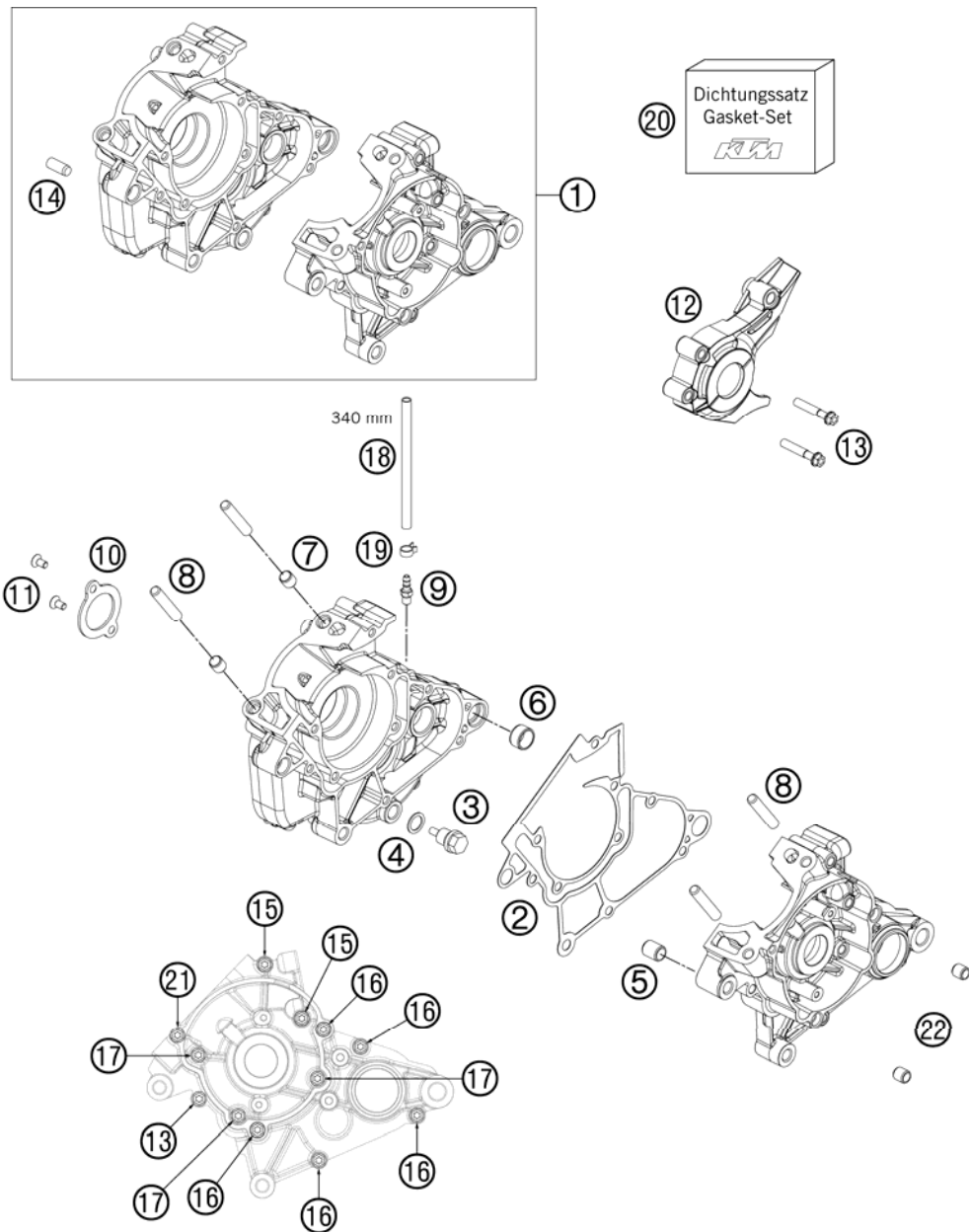


FIG	PART NUMBER	DESCRIPTION	QTY
1	45230000133	ENGINE CASES CPL. 50SX	1
2	45230039000	ENGINE CASE GASKET	1
3	58030021000	OILDRAIN PLUG W.MAG. M 12X1,5	1
4	58038022000	CU-SEAL RING DIN7603-12X18X1,5	1
5	46230024000	DOWEL 12X9X14,5	2
6	58330023000	DOWEL 17 X 14 X 9,5	1
7	46230023000	DOWEL 10X8,2X10	2
8	46030043000	STUD M8X41	4
9	58336020190	VACUUM CONECTION M6/3MM '97	1
10	45230017000	BEARING BRACKET	1
11	0019050103	INT. TORX FLAT HEAD M 5X10 8.8	2
12	45230060000	CHAIN GUARD	1
13	0025060356	HH COLLAR SCREW M6X35 TX30	3
14	0325080200	CYLINDER STUD DIN6325 8X20 M6	1
15	0025060556	HH COLLAR SCREW M6X55 TX30	2
16	0025060306	HH COLLAR SCREW M6X30 TX30	6
17	0025060406	HH COLLAR SCREW M6X40 TX30	3
18	31007007101	PVC-HOSE 4X6MM	x
19	45230089000	YDNAC-CLAMP 10068 (6,8MM)	1
20	45230099000	GASKET SET 50 SX 2009	1
21	0025060206	HH COLLAR SCREW M6X20 TX30	1
22	45230024000	DOWEL 9,8X7X5.5	2

124523012 / C124523012

* NEW PART

X AS REQUIRED

CLUTCH COVER

50 SX 2012

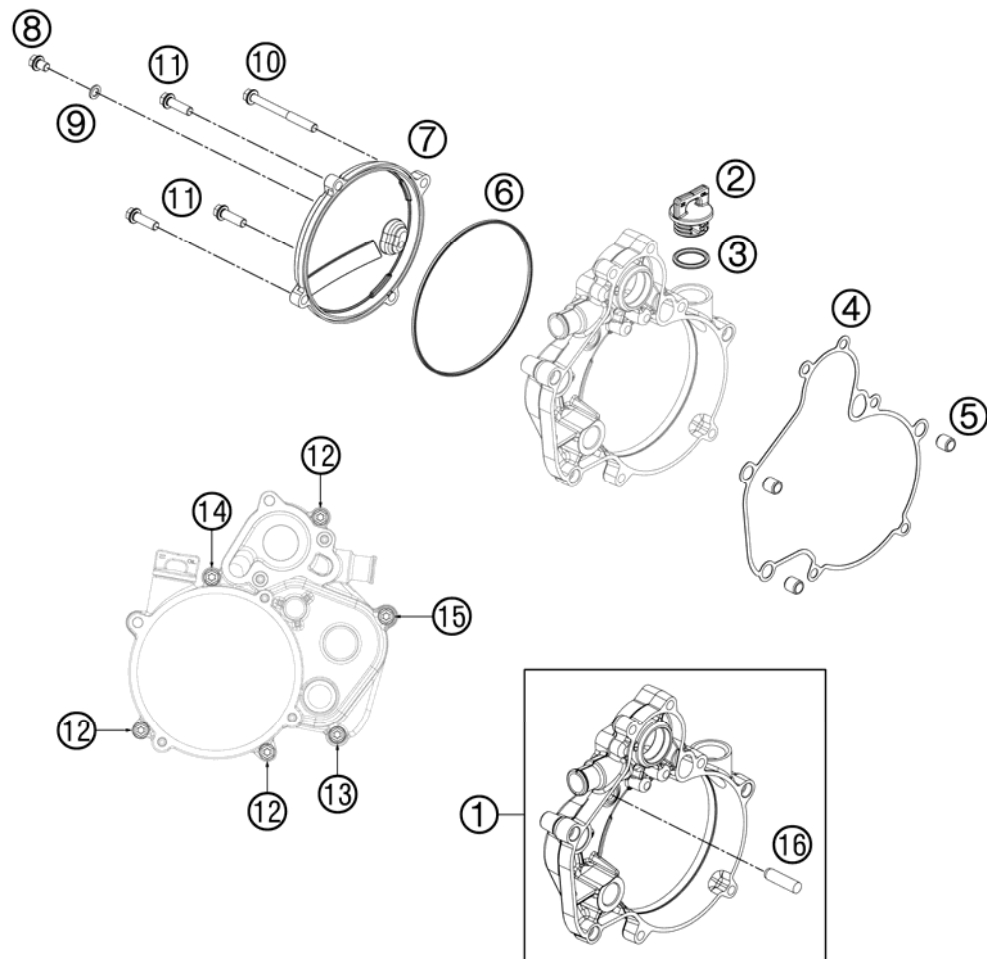


FIG	PART NUMBER	DESCRIPTION	QTY
1	45230001044	CLUTCH COVER INNER CPL.	1
2	58030020100	PLUG CPL. M24X3	1
3	0770191015	O-RING 19,00X3,00 NBR	1
4	45230025000	CLUTCH COVER GASKET INSIDE	1
5	49030090000	DOWEL 9,8 X 7 X 10	3
6	45230027000	CLUTCH COVER GASKET	1
7	45230026000	CLUTCH COVER OUTSIDE	1
8	0025060086	HH COLLAR SCREW M6X8 TX30	1
9	0603061001	CU-SEAL RING DIN7603-6X10X1	1
10	0025060606	HH COLLAR SCREW M6X60 TX30	1
11	0025060206	HH COLLAR SCREW M6X20 TX30	3
12	0025060256	HH COLLAR SCREW M6X25 TX30	3
13	0025060306	HH COLLAR SCREW M6X30 TX30	1
14	0025060356	HH COLLAR SCREW M6X35 TX30	1
15	0025060506	HH COLLAR SCREW M6X50 TX30	1
16	0325080300	CYLINDER STUD DIN6325 8X30 M6	1

124523020 / C124523020

* NEW PART

X AS REQUIRED

CYLINDER, CYLINDERHEAD

50 SX 2012

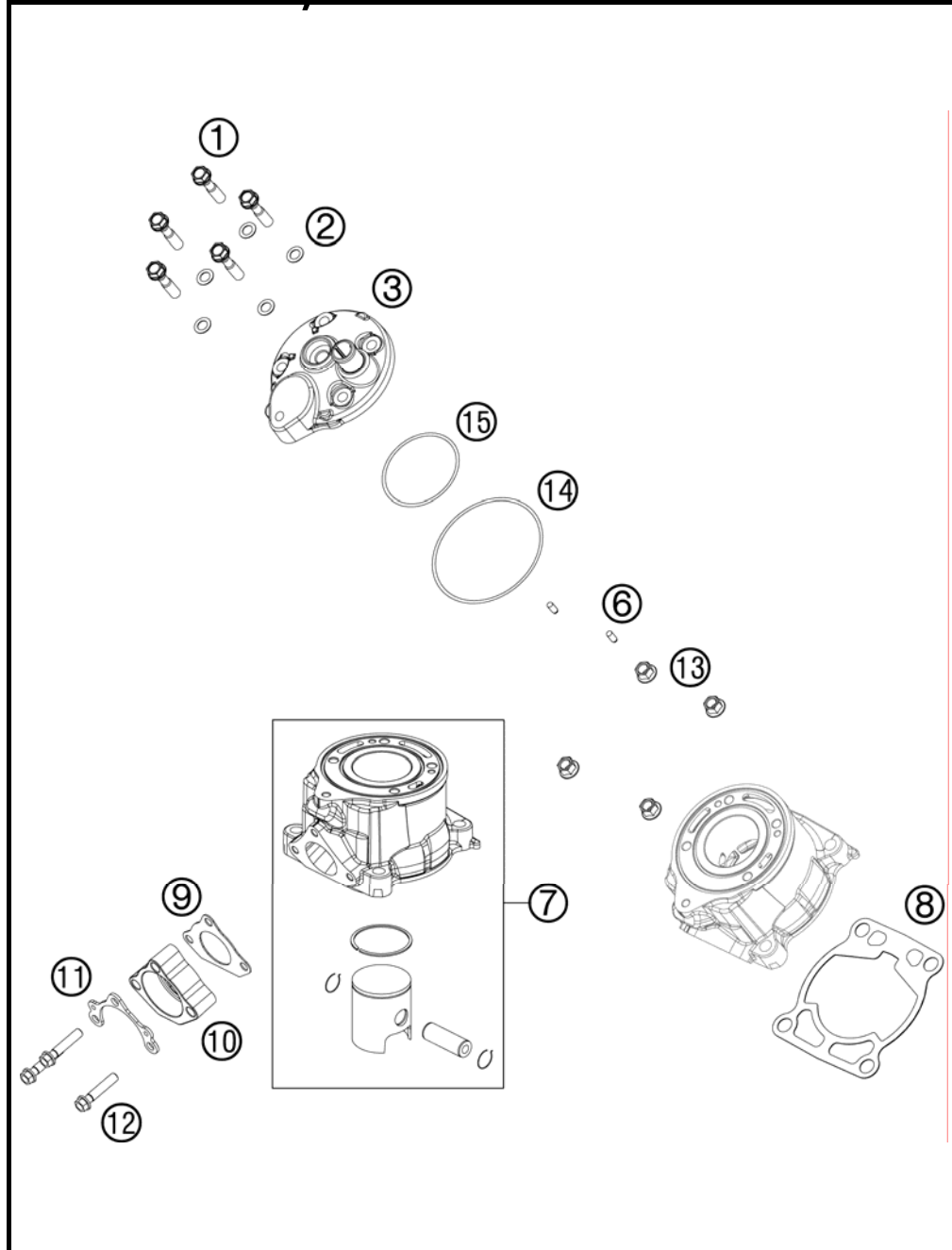


FIG	PART NUMBER	DESCRIPTION	QTY
1	50330079000	CYL. HEAD BOLT M 7X30 WS=10	5
2	0603070121	CU-SEAL RING DIN7603- 7,3X12X1	5
3	45230006000	CYLINDER HEAD	1
6	0325040100	CYLINDER PIN DIN6325- 4X10	2
7	45230038000	CYLINDER + PISTON	1
8	46230035020	CYLINDER BASE GASKET 0,2 MM	x
8	46230035040	CYLINDER BASE GASKET 0,4 MM	x
8	46230035050	CYLINDER BASE GASKET 0,5 MM	x
8	46230035060	CYLINDER BASE GASKET 0,6MM	x
9	45205004000	EXHAUST FLANGE GASKET	1
10	45205003000	EXHAUST FLANGE	1
11	46205003050	BRACKET FOR SPRINGHOLDER	1
12	0025060306	HH COLLAR SCREW M6X30 TX30	3
13	46030045000	COLLAR NUT M8 WS=10	4
14	0770078020	O-RING 78,00X2,00 VIT. BLACK	1
15	0770052020	O-RING 52,00X2,0 VITON 75	1

124523050 / C124523050

* NEW PART

X AS REQUIRED

CRANKSHAFT, PISTON

50 SX 2012

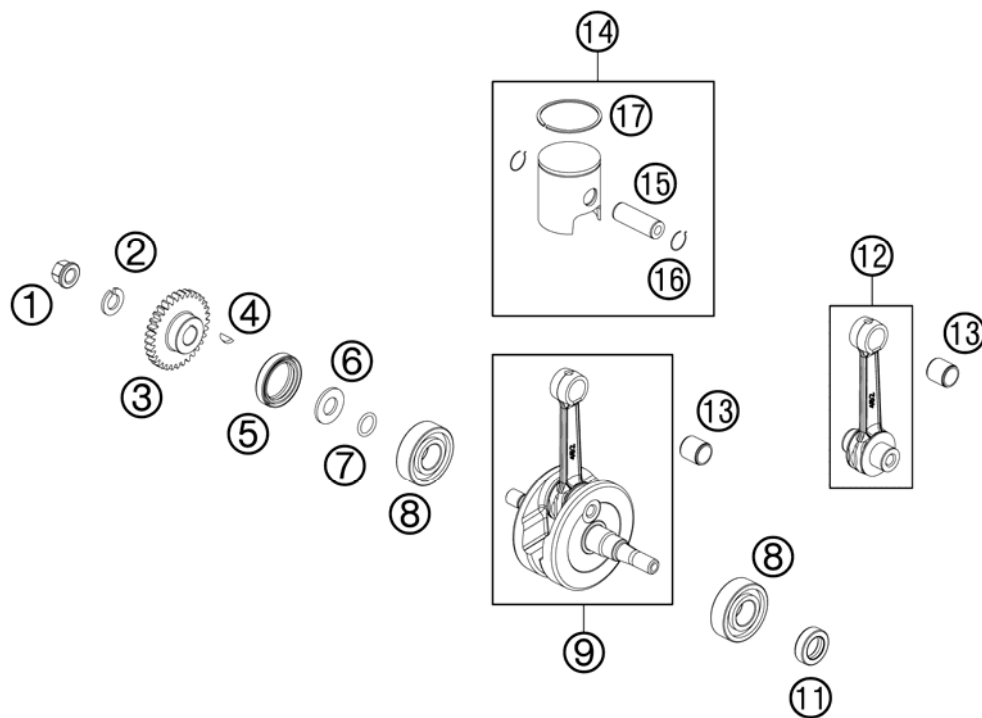


FIG	PART NUMBER	DESCRIPTION	QTY
1	58414030000	HH COLLAR NUT M10X1,25 WS=13	1
2	45230072000	LOCKING RING VSK 10	1
3	45232023033	PRIMARY DRIVE 33T	1
4	0888030037	WOODRUFF KEY DIN6888-3X3,7	1
5	0760253570	SHAFT SEAL RING 25X35X7 BTSL	1
6	45230016000	SPACER WASHER - CRANKSHAFT	1
7	0770120020	O-RING 12,00X2,00 NBR 70	1
8	0625062035	BALL BEARING 6203 JR2 C3	2
9	45230018000	CRANKSHAFT CPL.	1
11	0760152472	SHAFT SEAL RING 15X24X7 A-DUO	1
12	45230015000	PISTON ROD REP-SET 09	1
13	45130034000	NEEDLE BEAR.PISTONPIN 12X15X15	1
14	45230007000 I	PISTON CPL. I 2009	1
14	45230007000 II	PISTON CPL. II 2009	1
15	45230033000	PISTON BOLT 09	1
16	45230074000	CIRCLIP 09	2
17	45230030000	PISTONRING 09	1

124523060 / C124523061

* NEW PART

X AS REQUIRED

REED VALVE CASE

50 SX 2012

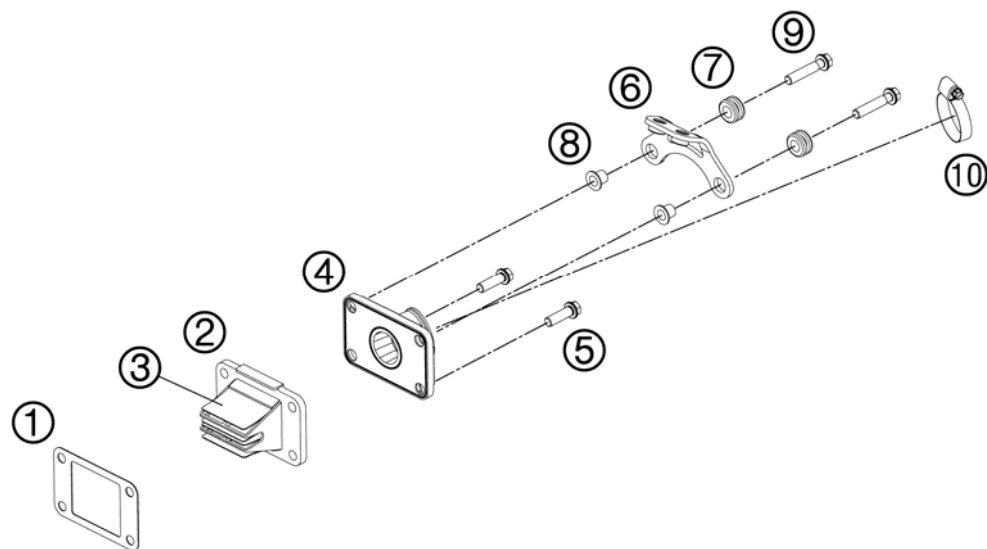


FIG	PART NUMBER	DESCRIPTION	QTY
1	46230049000	GASKET MEMBRAN CASE	1
2	45230051044	MEMBRANE CASE CPL. V-VORCE	1
3	45230052000	MEMBRANE	1
4	45230050100	INTAKE FLANGE	1
5	0025060206	HH COLLAR SCREW M6X20 TX30	2
6	45239010000	IGNIT. COIL RETAIN. PLATE CPL.	1
7	31008060000	RUBBER SLEEVE D=8MM OPEN	2
8	45239060050	COLLAR BUSHING 6,3X8X13X9,5	2
9	0025060306	HH COLLAR SCREW M6X30 TX30	2
10	10001120000	CLAMP 25-40 SGT 4	1

124523070 / C124523070

* NEW PART

X AS REQUIRED

CARBURATOR

50 SX 2012

ACHTUNG !!!
Vor dem Einbau des Vergasers,
Bedüsung kontrollieren.

CAUTION !!!
Before mounting the carburetor,
check the jetting.

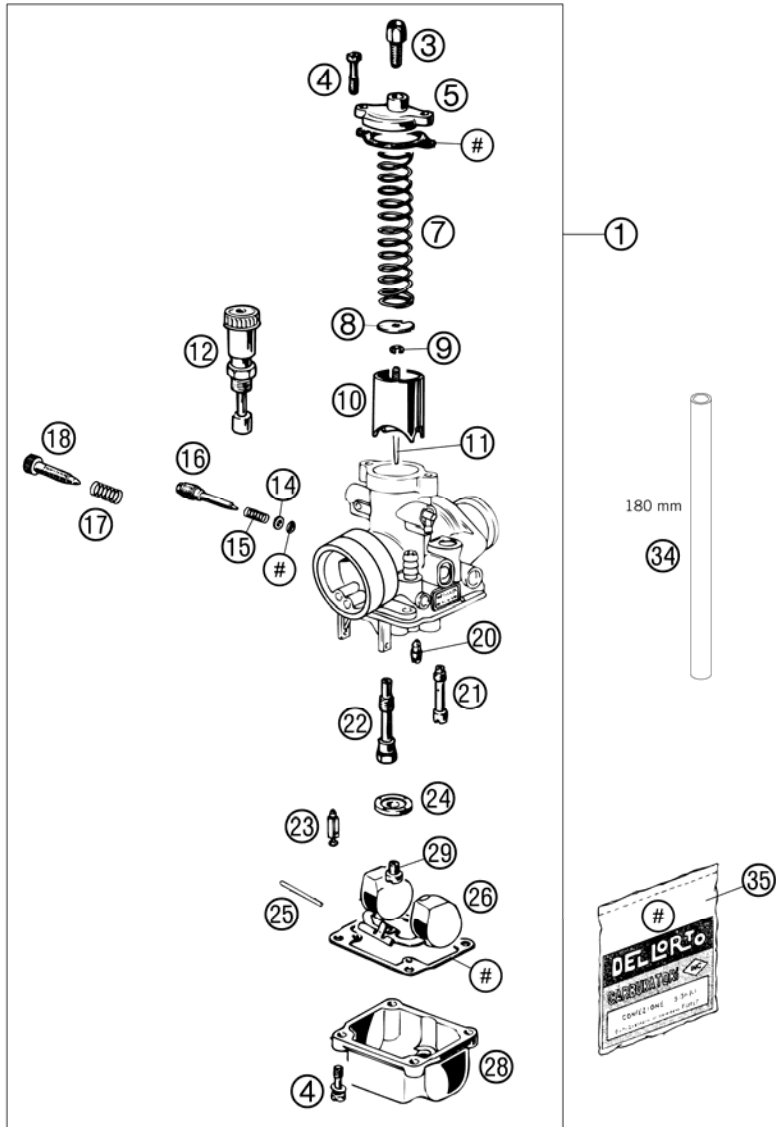


FIG	PART NUMBER	DESCRIPTION	QTY
1	45131001100	CARBUR. DELLO. PHBG 19 BS 2001 CHECK THE JETTING	1
3	57031525000	ADJUSTMENT SCREW M6X0,75	1
4	0016040163	HH COLLAR SCREW M 4X16 WS=6	6
5	45131027000	CARBURETOR COVER DELLORTO 19	1
7	45131030000	SPRING DELLORTO	1
8	45131109000	RETAINING SPRING DELLORTO	1
9	0799025055	TAB WASHER DIN6799-RS 2,5	1
10	45131035000	THR. VALVE DELLO.19 60 2001	x
10	45131035040	THR. VALVE DELLO.40 2008	x
11	45131034009	JET NEEDLE W9	1
12	45131048000	STARTING BUTTON DELLORTO 19	1
14	57031572000	WASHER 3,3 X 5,8 X 0,5	1
15	45131015000	SPRING DELLORTO	1
16	45131017000	AIR ADJUST SCREW DELLORTO	1
17	45131016000	% SPRING FOR AIR ADJUST SCREW	1
18	45131019000	IDLE ADJUST SCREW	1
20	45131007045	IDLING JET 45 DELLORTO	x
20	45131007048	IDLING JET 48 DELLORTO	x
20	45131007050	IDLING JET 50 DELLORTO	x
20	45131007052	IDLING JET 52 DELLORTO	x
20	45131007055	IDLING JET 55 DELLORTO	x
20	45131007058	IDLING JET 58 DELLORTO	x
21	45131051060	START JET 60 DELLORTO	1
22	45131021260	NEEDLE JET 260	x
22	45131021262	NEEDLE JET 262	x
23	45131020000	FLOATING NEEDLE VALVE DELLORTO	1
24	45131074000	COVER DELLORTO	1
25	45131008000	PIN DELLORTO	1
26	45131009000	FLOAT 4 GR.	1
28	45131011000	FLOAT BOWL DELLORTO 19	1
29	15131123080	MAIN JET 80 DELLORTO	x
29	15131123085	MAIN JET 85 DELLORTO	x
29	15131123090	MAIN JET 90 DELLORTO	x
34	58307016001	FUEL HOSE VITON 6X1,5 PER/M	x

124523112 / C124523112

* NEW PART

X AS REQUIRED



ACHTUNG !!!
Vor dem Einbau des Vergasers,
Bedüsung kontrollieren.

CAUTION !!!
Before mounting the carburetor,
check the jetting.

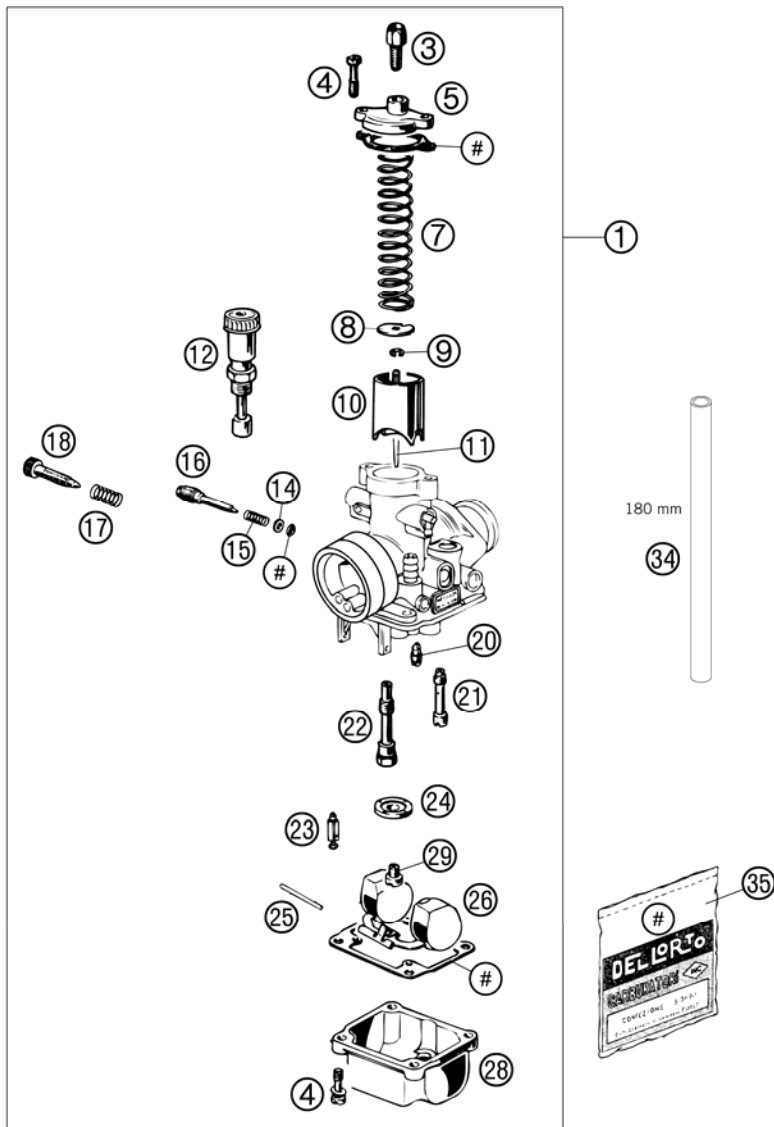


FIG	PART NUMBER	DESCRIPTION	QTY
35	45131099000	GASKET SET DELLORTO 19	1

124523112 / C124523112

* NEW PART

X AS REQUIRED

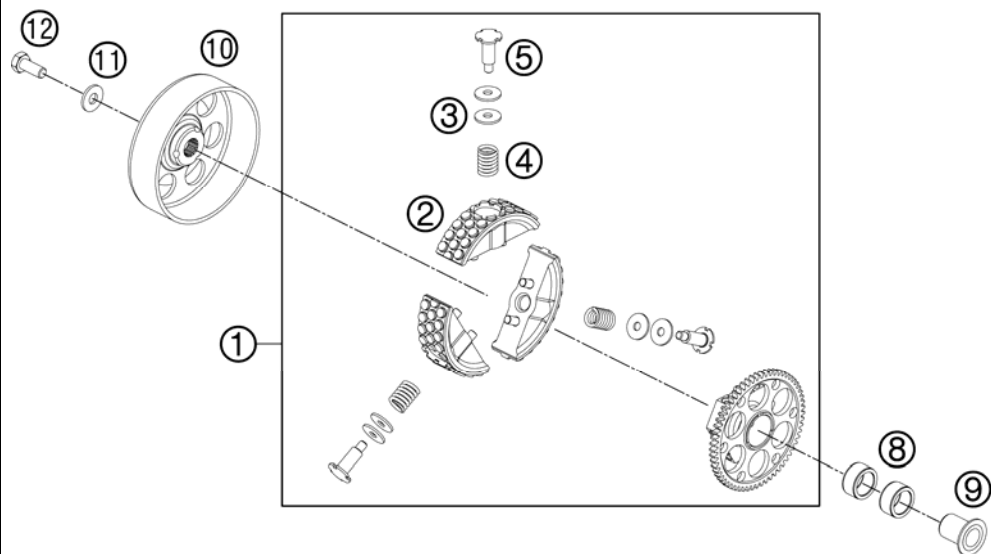


FIG	PART NUMBER	DESCRIPTION	QTY
1	45232000133	CLUTCH CPL.	1
2	45232011044	CLUTCH BLOCK KIT CPL.	1
3	45232007020	DISTANCE SHIM 9,5X19X0,2	x
3	45232007044	SPACER SHIM KIT	x
3	45232007050	DISTANCE SHIM 9,5X19X0,5	x
4	45232005144	CLUTCH SPRING KIT "A" SOFT SPRINGS / YELLOW	x
4	45232005244	CLUTCH SPRING KIT "B" HARD SPRINGS / GREEN	x
5	45232006144	HH COLLAR SCREW KIT	1
8	0402182412	NEEDLE BEARING 18X24X12A	2
9	45232013000	INNER RING WITH COLLAR	1
10	45232001000	OUT. CLUTCH HUB LOOSE	1
11	45232008000	WASHER 8,5X31X4	1
12	0035080206S	AH-COLLAR SCREW M8X20 ISA45	1

124523210 / C124523210

* NEW PART

X AS REQUIRED

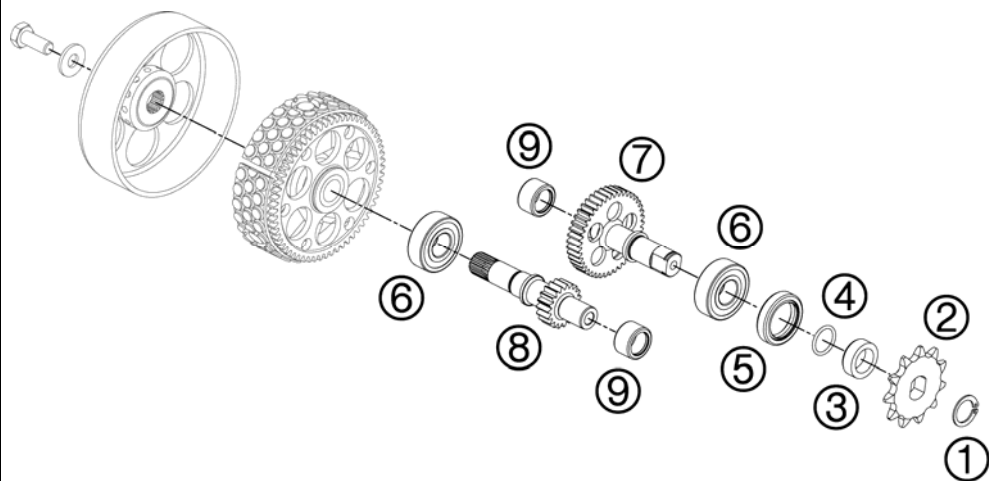


FIG	PART NUMBER	DESCRIPTION	QTY
1	0471150010	CIRCLIP DIN0471-15X1	1
2	45233029010	SPROCKET 10 T.	x
2	45233029011	SPROCKET 11 T.	x
3	45233030000	DISANCESPACER F. SPROCKET	1
4	0770015018	O-RING 15,00X1,80	1
5	0760223270	SHAFT SEAL RING 22X32X7 BSL	1
6	45133028000	BALL BEARING 15X35X11	2
7	45233010200	COUNTER SHAFT	1
		ONLY USE WITH 45233001200	
8	45233001200	MAIN SHAFT	1
		ONLY USE WITH 45233010200	
9	54632095000	NEEDLE BEAR.HK 1412 14X20X12	2

124523310 / C124523310

* NEW PART

X AS REQUIRED

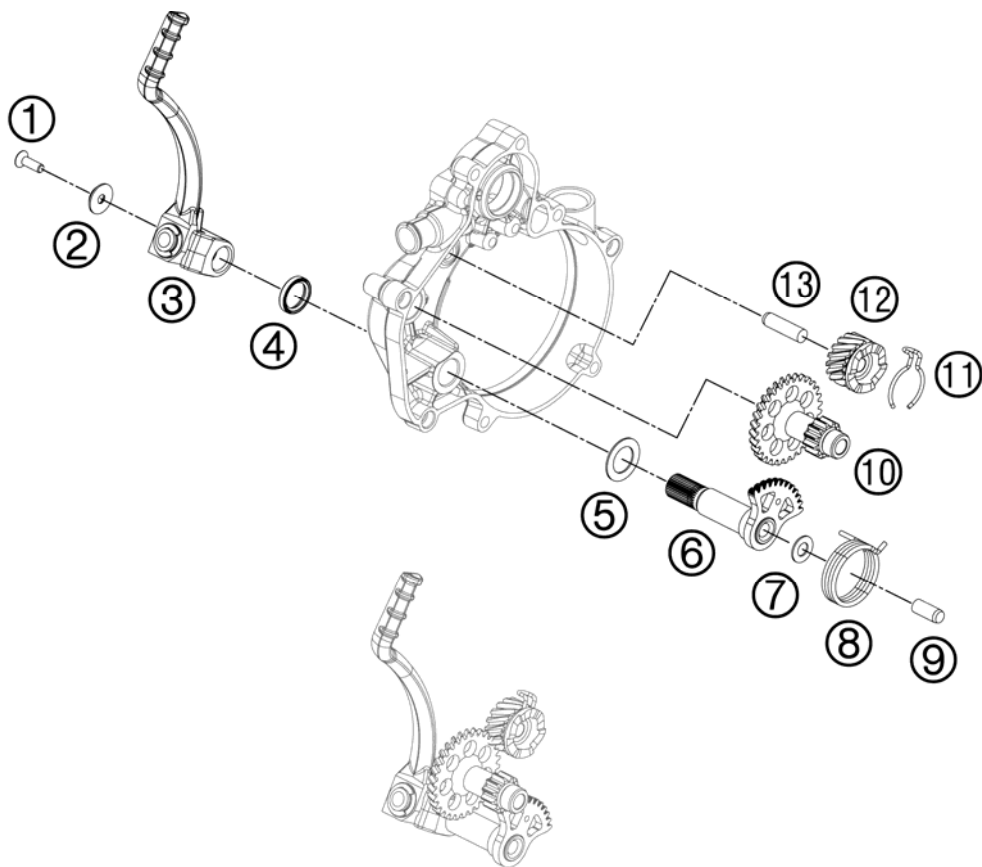


FIG	PART NUMBER	DESCRIPTION	QTY
1	0019050163	INT. TORX FLAT HEAD M 5X16 8.8	1
2	60008045100	SPECIAL WASHER FOR M5 03	1
3	45233070044	KICKSTARTER CPL.	1
4	0760162240	SHAFT SEAL RING BALANC. SHAFT	1
5	45233058000	WASHER 16,3X25,8X1	1
6	45233050044	KICK START SHAFT CPL.	1
7	45233057000	WASHER 8,2X16X1	1
8	45233054000	KICKSTARTER SPRING	1
9	0325080200	CYLINDER STUD DIN6325 8X20 M6	1
10	45233053000	KICKSTARTER SHAFT	1
11	45233056100	SPRING RATCHET GEAR	1
12	45233052016	RATCHET GEAR	1
13	0325080300	CYLINDER STUD DIN6325 8X30 M6	1

124523390 / C124523390

* NEW PART

X AS REQUIRED

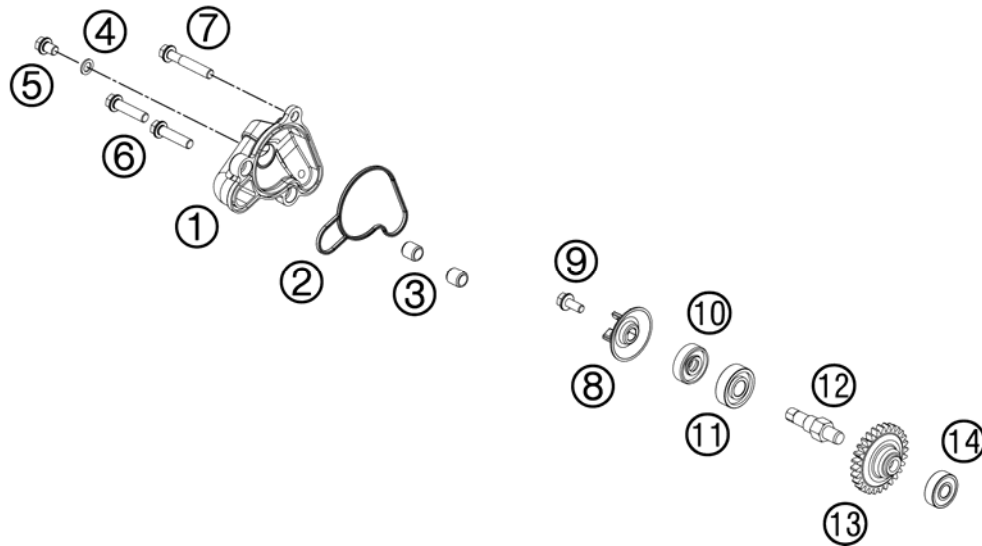


FIG	PART NUMBER	DESCRIPTION	QTY
1	45235052000	WATERPUMP COVER	1
2	45235053000	WATER PUMP COVER GASKET	1
3	49030090000	DOWEL 9,8 X 7 X 10	2
4	0603061001	CU-SEAL RING DIN7603-6X10X1	1
5	0025060086	HH COLLAR SCREW M6X8 TX30	1
6	0025060256	HH COLLAR SCREW M6X25 TX30	2
7	0025060406	HH COLLAR SCREW M6X40 TX30	1
8	45235055000	WATER PUMP WHEEL	1
9	0014050123	HH COLLAR SCREW M 5X12 WS=6	1
10	0760082472	SHAFT SEAL RING 8X24X7 A DUO	1
11	0625060001	BALL BEARING 6000/C3	1
12	50335054150	WATER PUMP SHAFT	1
13	45235054028	DRIVE WHEEL	1
14	0625006087	GROOVED BALL BEAR. 608 2RS C3	1

124523510 / C124523510

* NEW PART

X AS REQUIRED

COOLING SYSTEM

50 SX 2012

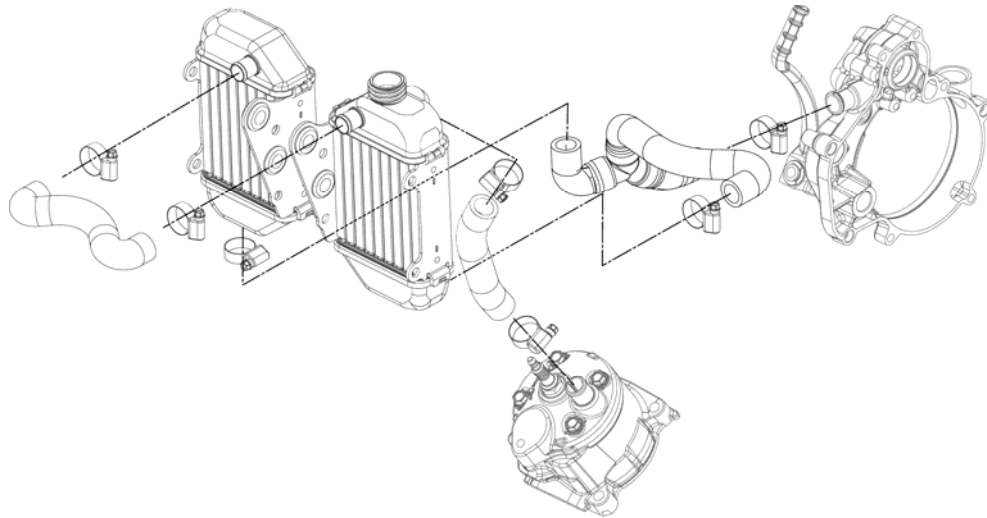
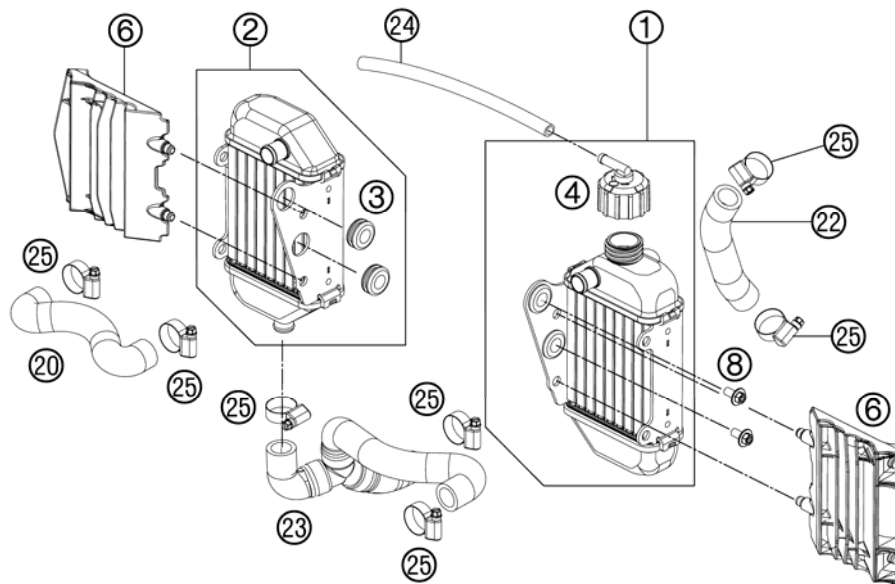


FIG	PART NUMBER	DESCRIPTION	QTY
1*	45235007200	RADIATOR L/S 50 SX	1
2*	45235008200	RADIATOR R/S 50 SX	1
3	41001052000	RUBBER SLEEVE D=12MM	4
4	45235009000	RADIATOR CAP 1,8 BAR	1
6*	45235034100	RADIATOR PROTECTION	2
8*	0024060123	COLLAR SCREW M6X12 TX	4
20*	45235026200	PREFORMED HOSE ABOVE	1
22*	45235025300	PREF. HOSE RADIATOR- CYL.HEAD	1
23*	45235027033	RADIATOR HOSE CPL. W.Y-PIECE	1
24	55007016001	PVC-HOSE 7X10 PER METER	1
25	42013037400	HOSE CLAMP NORMA 12/24	7



124523531 / C124523531

* NEW PART

X AS REQUIRED

IGNITION SYSTEM

50 SX 2012

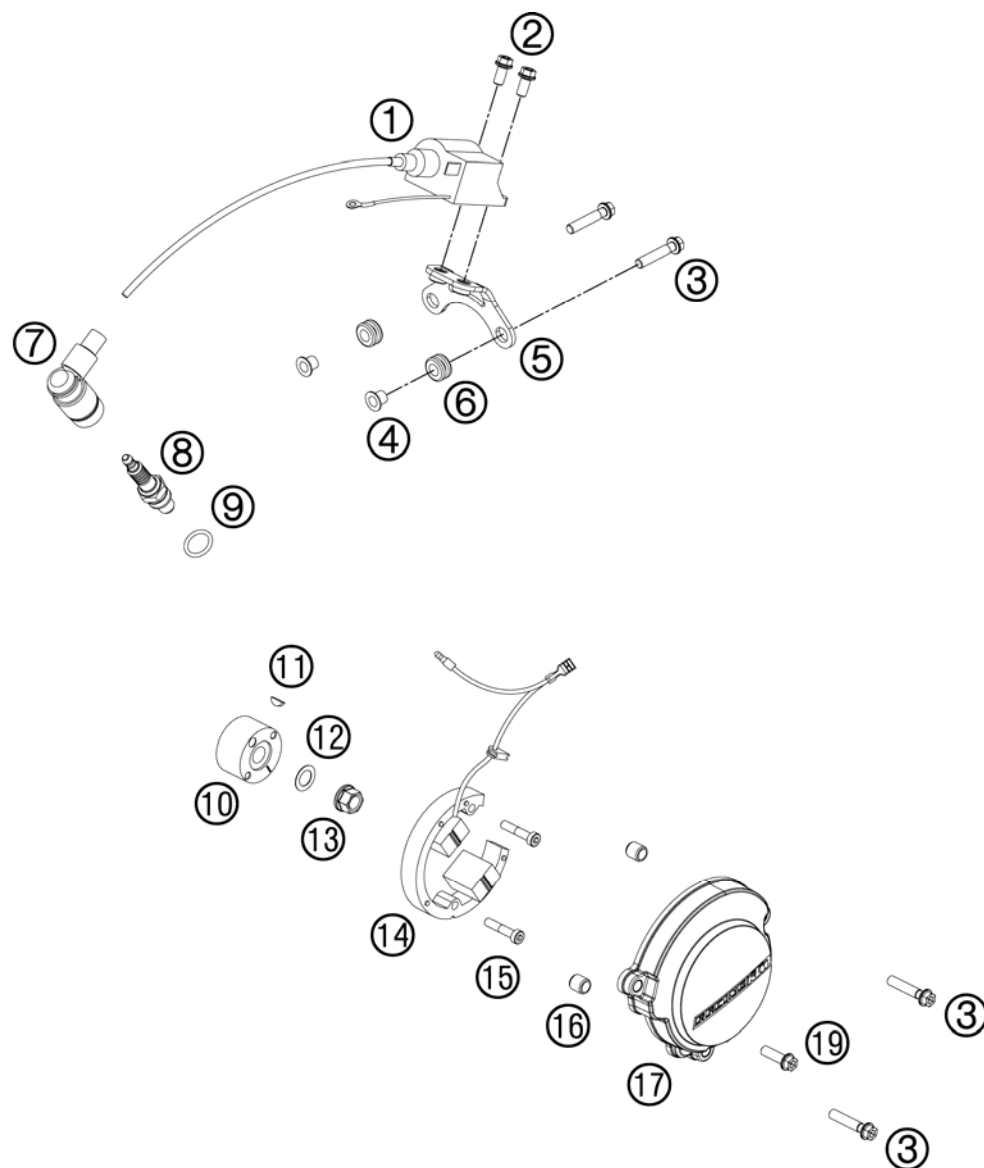


FIG	PART NUMBER	DESCRIPTION	QTY
1	45239006100	IGNITION COIL	1
2	0025060126	HH COLLAR SCREW M6X12 TX30	2
3	0025060306	HH COLLAR SCREW M6X30 TX30	4
4	45239060050	COLLAR BUSHING 6,3X8X13X9,5	2
5	45239010000	IGNIT. COIL RETAIN. PLATE CPL.	1
6	31008060000	RUBBER SLEEVE D=8MM OPEN	2
7	46239090000	SPARK PLUG CONNECTOR	1
8	45239093000	SPARK PLUG LR8B	1
9	0770012030	O-RING 12,00X3,0 VITON 75	1
10	45139005100	FLYWEEL ROTOR 50 2004	1
11	0888025030	WOODRUFF KEY DIN6888-2,5X3	1
12	45132020000	WASHER 10,4X16,8X0,4	1
13	58414030000	HH COLLAR NUT M10X1,25 WS=13	1
14	45139004000	FLYWHEEL STATOR 50CCM LC 2001	1
15	0012050253	AH SCREW DIN6912 M5X25	2
16	45230024000	DOWEL 9,8X7X5.5	2
17	45230002300	IGNITION COVER CPL.	1
19	0025060206	HH COLLAR SCREW M6X20 TX30	1

124523910 / C124523910

* NEW PART

X AS REQUIRED