

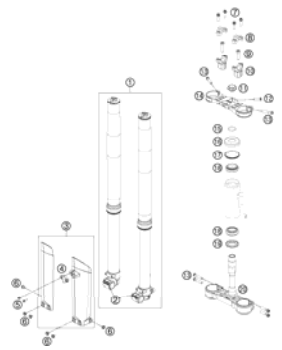
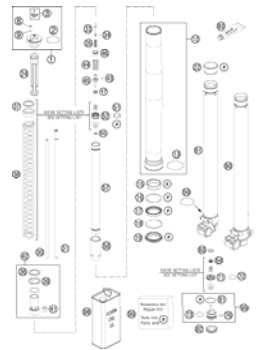
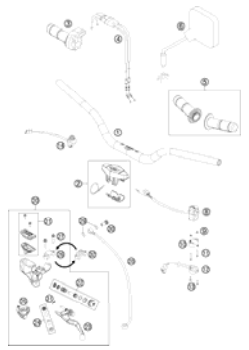
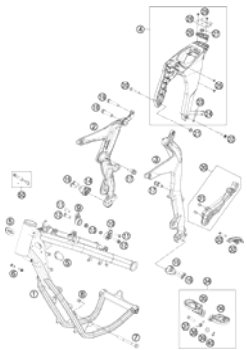
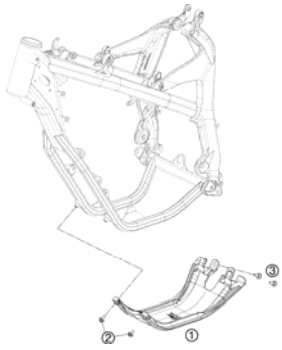
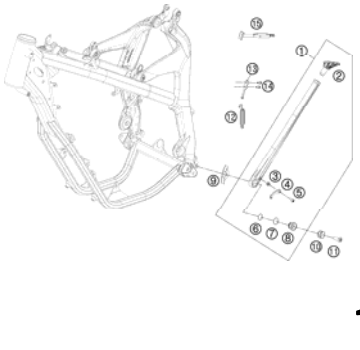
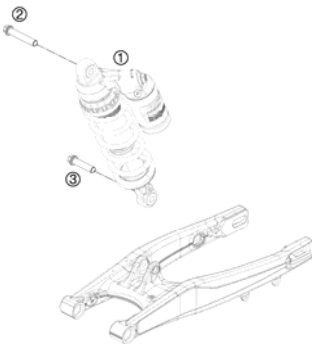
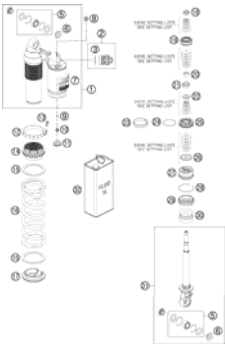
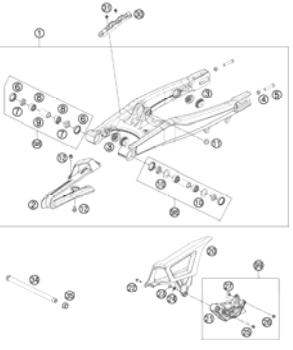
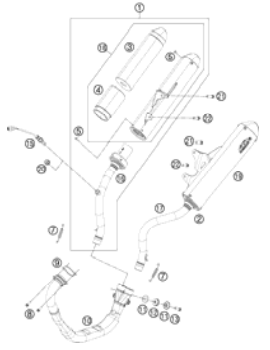

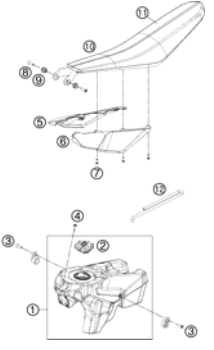
# FREERIDE 350 EU 2012

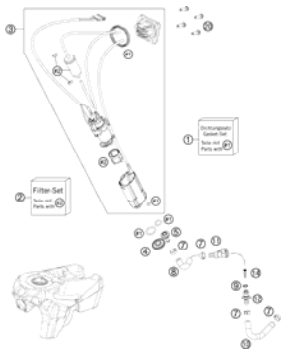
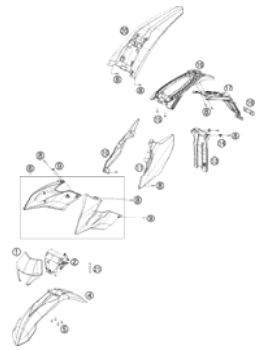

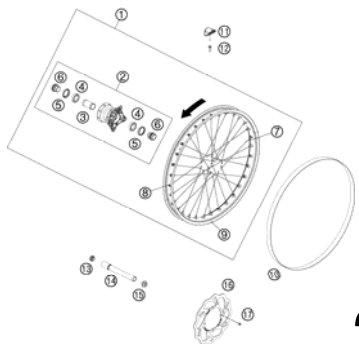
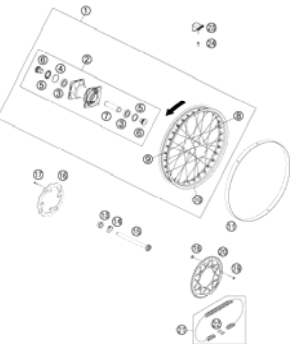

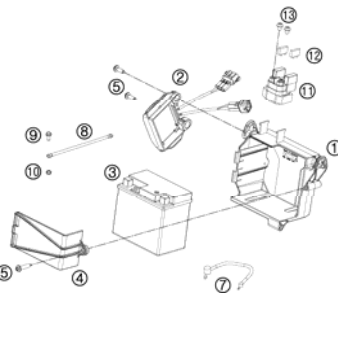
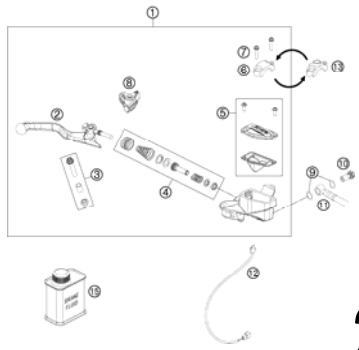
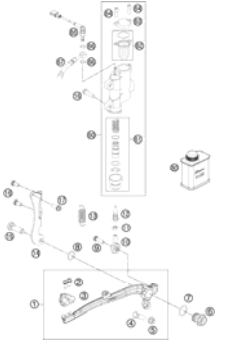
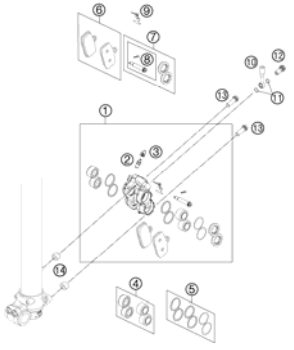
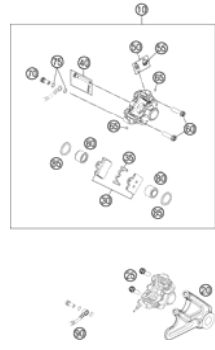
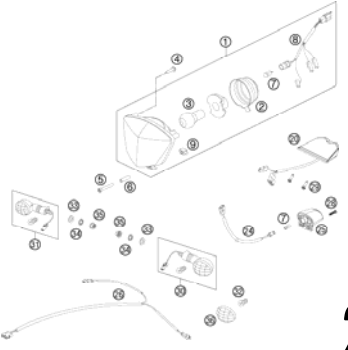
SPARE PARTS MANUAL: CHASSIS

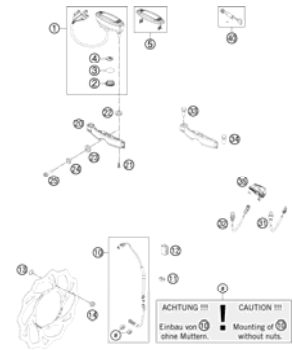
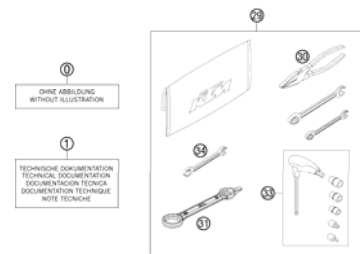
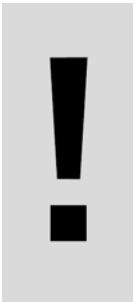
ART.NO.: 3CF8203L4EN

ENGLISH



<p><b>FRONT FORK, TRIPLE CLAMP</b></p>  <p><b>4</b></p>	<p><b>FRONT FORK DISASSEMBLED</b></p>  <p><b>5</b></p>	<p><b>HANDLEBAR, CONTROLS</b></p>  <p><b>7</b></p>	<p><b>FRAME</b></p>  <p><b>8</b></p>
<p><b>ENGINE GUARD</b></p>  <p><b>10</b></p>	<p><b>SIDE STAND</b></p>  <p><b>11</b></p>	<p><b>SHOCK ABSORBER</b></p>  <p><b>12</b></p>	<p><b>SHOCK ABSORBER DISASSEMBLED</b></p>  <p><b>13</b></p>
<p><b>SWING ARM</b></p>  <p><b>14</b></p>	<p><b>EXHAUST SYSTEM</b></p>  <p><b>15</b></p>	<p><b>AIR FILTER</b></p>  <p><b>16</b></p>	<p><b>TANK, SEAT, COVER</b></p>  <p><b>17</b></p>

<p><b>FUEL PUMP</b></p>  <p><b>18</b></p>	<p><b>MASK, FENDERS</b></p>  <p><b>19</b></p>	<p><b>DECAL</b></p>  <p><b>20</b></p>	<p><b>FRONT WHEEL</b></p>  <p><b>21</b></p>
<p><b>REAR WHEEL</b></p>  <p><b>22</b></p>	<p><b>WIRING HARNESS</b></p>  <p><b>23</b></p>	<p><b>BATTERY</b></p>  <p><b>24</b></p>	<p><b>HAND BRAKE CYLINDER</b></p>  <p><b>25</b></p>
<p><b>REAR BRAKE CONTROL</b></p>  <p><b>26</b></p>	<p><b>BRAKE CALIPER FRONT</b></p>  <p><b>27</b></p>	<p><b>BRAKE CALIPER REAR</b></p>  <p><b>28</b></p>	<p><b>LIGHTING SYSTEM</b></p>  <p><b>29</b></p>

<p><b>INSTRUMENTS / LOCK SYSTEM</b></p>  <p style="text-align: right;"><b>30</b></p>	<p><b>ACCESSORIES KIT</b></p>  <p style="text-align: right;"><b>31</b></p>		
	<div style="display: flex; align-items: center;">  <p>All information contained is without obligation. KTM-Sportmotorcycle AG particularly reserves the right to modify any equipment, technical specifications, prices, colors, shapes, materials, services, service work, constructions, equipment and the like so as to adapt them to local conditions or to cancel any of the above items, all without previous announcement and without giving reasons. KTM may stop manufacturing certain models without previous notice. KTM shall not be held liable for any deviations of availability and/or ability to deliver, illustrations, descriptions, printing and/or other errors. The illustrated models partly contain extra equipment, which is not applied to standard models. © by KTM-SPORTMOTORCYCLE AG, Mattighofen AUSTRIA; All rights reserved; Reprint, also in extracts, with written allowance of KTM-SPORTMOTORCYCLE AG, Mattighofen only.</p> </div>		

# FRONT FORK, TRIPLE CLAMP

FREERIDE 350 EU 2012

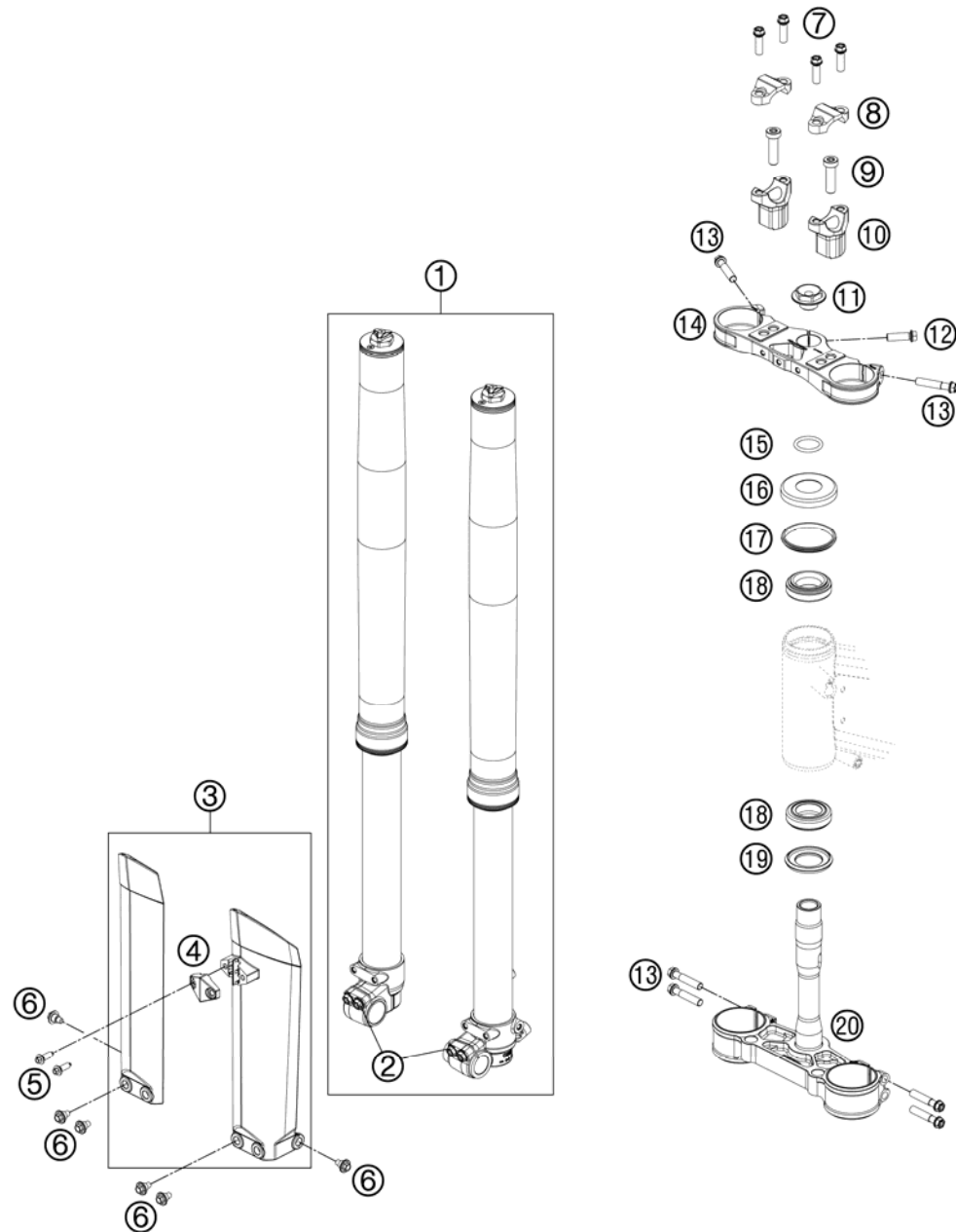


FIG	PART NUMBER	DESCRIPTION	QTY
1	05187L4001	FORK WP FREERIDE 350 2012	1
2	0025080206	HH COLLAR SCREW M8X20 TX40	4
3	4710109400004	FORK PROTECTION CPL. ORANGE	1
4	4710108500004	CLAMP BRAKE HOSE	1
5	0017060204	EJOT PT SCREW K60X20 ALU WS=6	2
6	59001092050	SPECIAL SCREW M6X12,5 WS=8	6
7	0025080256	HH COLLAR SCREW M8X25 TX40	4
8	77201038000	HANDLEBAR CLAMP 28MM	2
9	0032100356S	AH-COLLAR SCREW M10X35 ISA45	2
10	59401039047	HANDLEB.SUPP. D=28MM H=47MM 05	4
11	54801036000	STEER.HEAD SCREW M20X1,5 WS=27	1
12	0025080256S	HH COLLAR SCREW M8X25 TX40	1
13	0025080406	HH COLLAR SCREW M8X40 TX40	6
14	7000103402030	TOP FORK PLATE BLACK	1
15	0770025035	O-RING 25X3,55 NBR70 05	1
16	78101086000	STEERING HEAD COVER	1
17	54601184000	STEARING HEAD GASKET TOP	1
18	54201081100	TAPERED ROLLER BEARING CPL. 06	2
19	54601084100	O-RING SUPPORT W. SEALING LIP	1
20	7000103202030	BOT.TRIPLE CLAMP CPL. BL. 20MM	1

127200110 / C127200110

\* NEW PART

X AS REQUIRED

# FRONT FORK DISASSEMBLED

FREERIDE 350 EU 2012

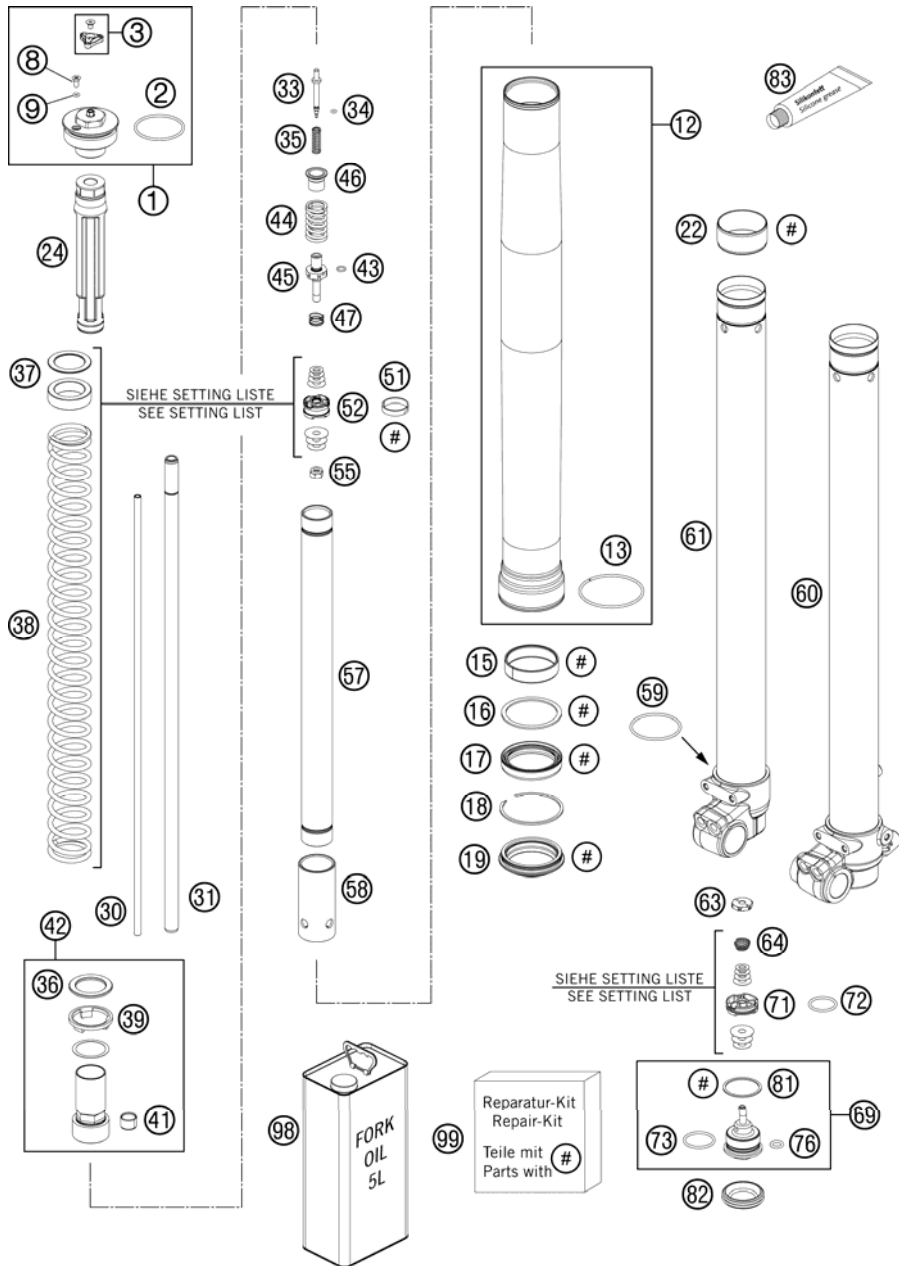


FIG	PART NUMBER	DESCRIPTION	QTY
1	43570395S1	SCREW CAP M4X1,5 CPL.	2
2	46811042	O-RING 40,00X2,00 WP	2
3	48600812S	ADJUSTING KNOB + SCREW	2
8	48600481	VENT SCREW M4X8	2
9	48600046	O-RING NBR 3X1,5	2
12	43570614E	OUTER TUBE L510 D49/53	2
13	43570099	GUIDING RING D=53MM	2
15	43570618	GUIDE BUSHING 43X47X12	2
16	43570092	SUPPORT RING 45 X 52,5 X 1,5	2
17	43570201	OIL SEAL RING 43 X 52,9 X 9,5	2
18	43570008	LOCK WASHER SB53	2
19	43570202	DUST STRIPPER 43 X 53,4 X 11,8	2
22	43570617	GUIDE BUSHING 43X47X12	2
24	43570396S1	STOP L135 D28,6 D12 CPL.	2
30	48600695	ADJUSTMENT TUBE L=442 MM	2
31	48600694	PISTON ROD D=12MM L=476MM	2
33	48600277	ADJUSTER NEEDLE 07	2
34	48600298	O-RING 2X1,5 NBR	2
35	48600444	REBOUND SPRING C=4N/MM	2
36	43570133	SPACER 26X38X2,5	2
37	43570133	SPACER 26X38X2,5	2
37	43570134	SPACER 26X38X5	2
37	43570135	SPACER 26X38X10	2
37	43570136	SPACER 26X38X1,5	2
38	95010049S	SPRING 4,4 N/MM SET	x
38	95010050S	SPRING 4,6 N/MM SET	1
38	95010054S	SPRING 4,8 N/MM SET	x
39	43570131	INTERM. RING 26,2X38,5X3	2
41	48600430	DU BUSH FOR PISTON ROD	2
42	48600830S2	SCREW SLEEVE M27X0,8 CPL.	2
43	48600299	O-RING 6X1,2 NBR	2
44	48600511	REBOUND SPRING L=32 C=17	2
45	48600513	TAP REBOUND 07	2
46	48600525	GUIDING BUSH REBOUND SPRING	2
47	48600382	SHUTTLE VALVE SPRING C=0,4	2

124700130 / C127200130

\* NEW PART

X AS REQUIRED

# FRONT FORK DISASSEMBLED

FREERIDE 350 EU 2012

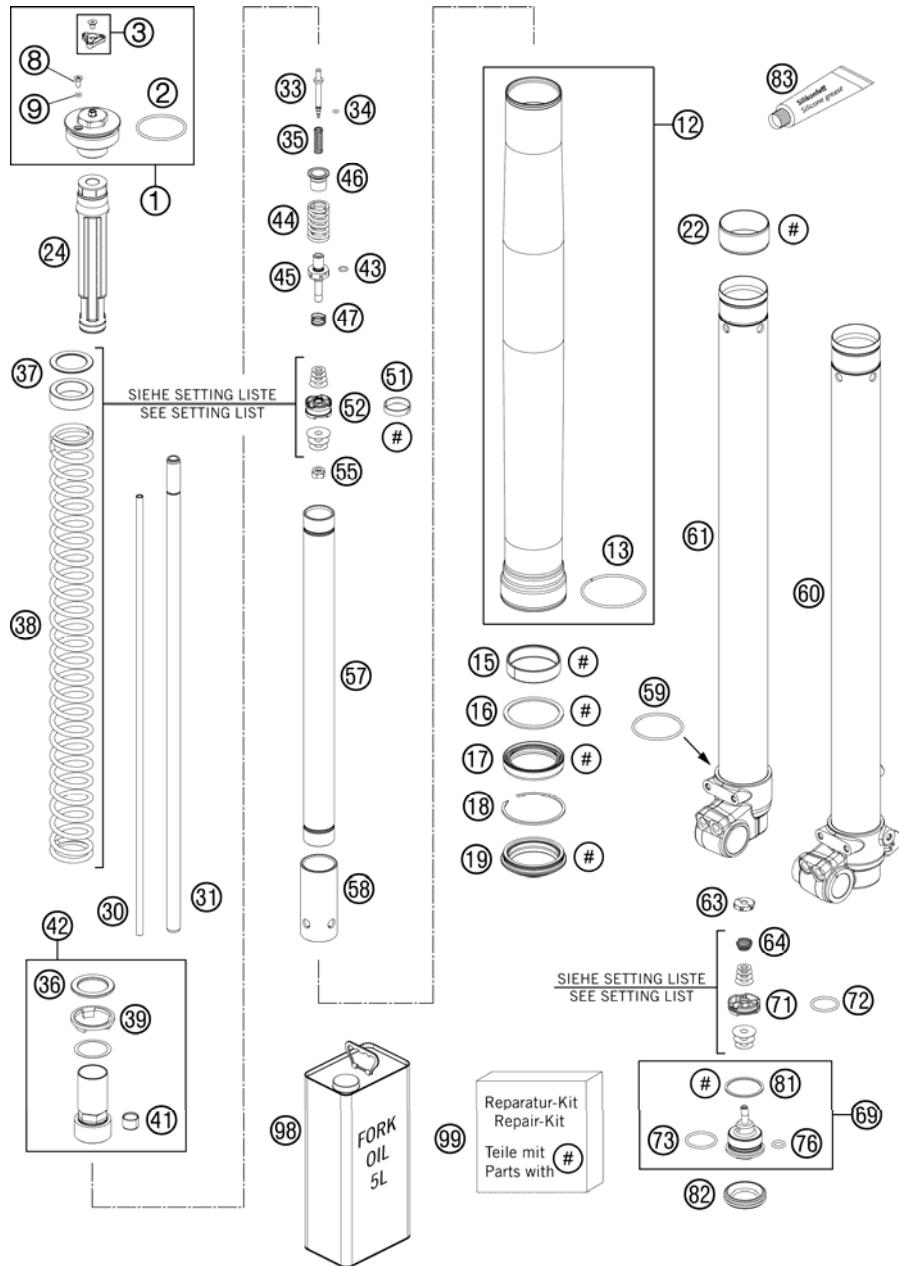


FIG	PART NUMBER	DESCRIPTION	QTY
51	48600455	PISTON RING 5X1X68	2
52	48600575	PISTON REBOUND SX 2007	2
55	40540486	NUT M6X0,5 REBOUND	2
57	48600870	TUBE 23 L=330	2
58	48600764	ADAPTER SLEEVE D23/D28	2
59	43570023	O-RING NBR 41X2	2
60	43570559S1	AXLE CLAMP L/S + TUBE CPL.	1
61	43570558S1	AXLE CLAMP R/S + TUBE CPL.	1
63	48600163	CHECK VALVE NUT M6X0,5 D=2	2
64	48600202	SPRING CHECK VALVE D=0,7	2
69	48600586S	TAP COMPRESSION CPL. 07	2
71	48600047	PISTON COMPRESSION D=27,9	2
72	46811499	O-RING NBR 21X2	2
73	35480320	O-RING NBR 24X2	2
76	48600049	O-RING NBR 8X2	2
81	48600004	COPPER WASHER 29,5X33,5X1	2
82	48600141	RUBBER CAP D=35MM	2
83	T511	SILICONE GREASE F. DUST STRI	1
98	48600765S1	FORK OIL SAE5 5L 2008	1
99	R511	REPAIR-KIT	1

124700130 / C127200130

\* NEW PART

X AS REQUIRED

# HANDLEBAR, CONTROLS

FREERIDE 350 EU 2012

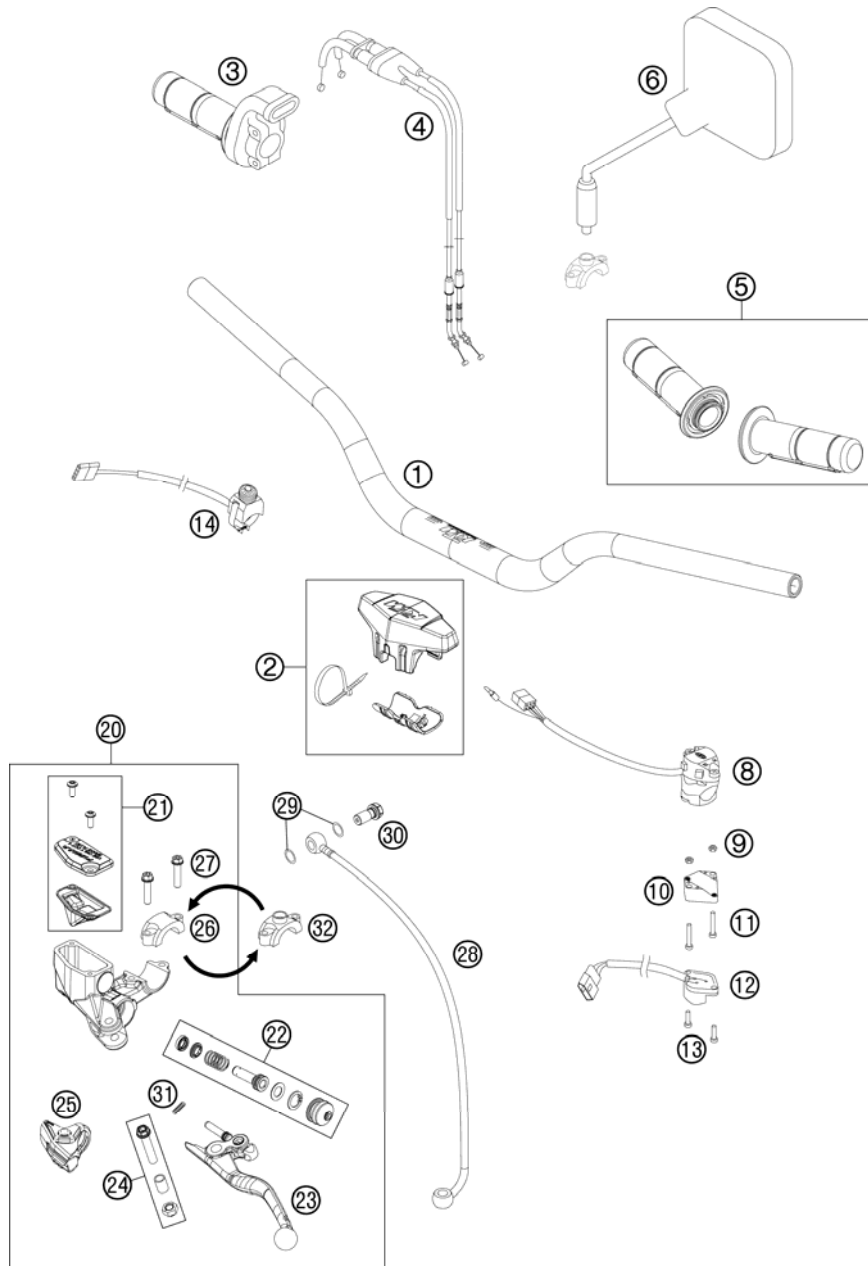


FIG	PART NUMBER	DESCRIPTION	QTY
1	7000200100030	HANDLEBAR BLACK D=28MM	1
2	77202002144	BAR PAD CPL.	1
3	72002010000	THROTT.GRIP CPL.	1
4	72002091000	THROTTLE CABLE FREERIDE 350	1
5	63002021100	GRIP SET DUAL COMPOUND	1
6	58012040000	REAR MIRROR L/S	1
6	58012140000	REAR MIRROR R/S	1
8	50311070000	H.LIGHT SWITCH CEV 2/4TAKT '98	1
9	0934040003	HEXAGON NUT DIN0934-M 4	2
10	13011070060	ADAPTER FOR FLASHER SWITCH '98	1
11	0084040223	CYL.HEAD SCREW DIN0084-M 4X22A	2
12	50311029000	FLASHER SWITCH CEV '98	1
13	0985040203	FLAT HEAD SCREW DIN7985-M 4X20	2
14	59411074000	STARTER CONTROL 04	1
20	7200203000028	MASTER CYLINDER CPL. 9,5 MM WH	1
21	72002003000	COVER F. MASTER CYLINDER CPL.	1
22	70002032000	REP. SET PISTON 9,5MM	1
23	70013002000	LEVER CPL.	1
24	70002038000	LEVER SCREW CPL.	1
25	72002037000	MUDCOVER CLUTCH LEVER	1
26	58012040150	CLAMP FOR MIRROR '94	1
27	0025060256	HH COLLAR SCREW M6X25 TX30	2
28	72032063000	CLUTCH PIPE	1
29	0770080019	O-RING 8,00X1,00 FORMULA	2
30	47013025000	HOLLOW SCREW BRAKE CYLINDER 03	1
31	72002035000	SPRING FOR CLUTCH LEVER	1
32	58012040150	CLAMP FOR MIRROR '94	1

127200210 / C127200210

\* NEW PART

X AS REQUIRED



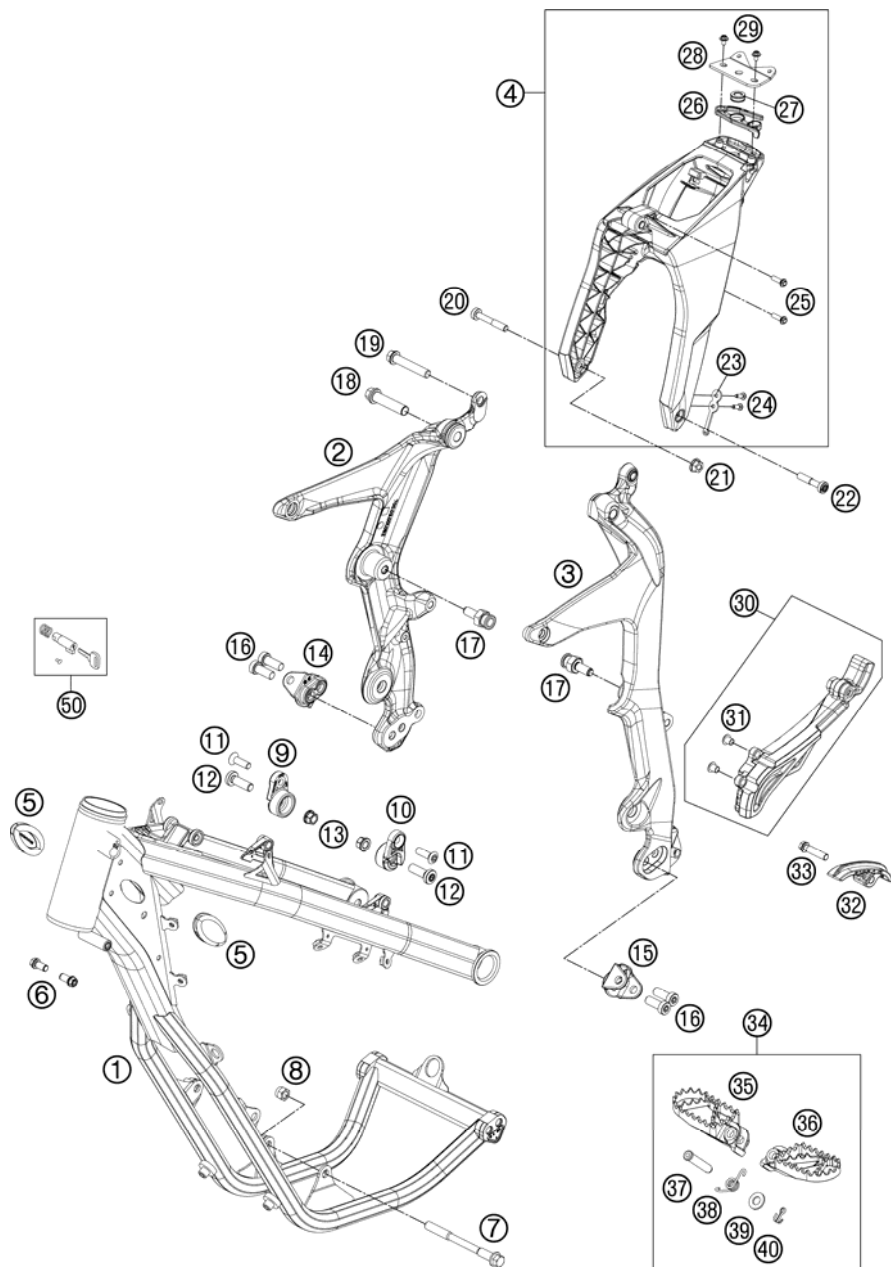


FIG	PART NUMBER	DESCRIPTION	QTY
1	7200300100004	FRAME ORANGE "720L1"	1
2	70003001052	CONNECTION BRACKET R/S 12	1
3	70003001051	CONNECTION BRACKET L/S 12	1
4	70003002033	SUBFRAME CPL.	1
5	58404041000	CLOSING COVER SWINGARM SM 03	2
6	0025080166S	HH COLLAR SCREW M8X16 TX40	2
7	77203014000	ENGINE BRAC.SCR. M10X115	2
8	54310086100	SELF LOCKING NUT M10 CU WS=14	2
9	72007015000	FUEL TANK CARRIER R/S	1
10	72007014000	FUEL TANK CARRIER L/S	1
11	0019080206	COUNTER-SUNK SCREW ISA45 M8X20	2
12	0035100309S	AH-COLLAR SCREW M10X30 ISA45	2
13	54630044000	COLLAR NUT M10 WS=13	2
14	70003039100	FOOTREST MOUNTING R/S '12	1
15	70003038100	FOOTREST MOUNTING L/S '12	1
16	0032100256S	AH-COLLAR SCREW M10X25 ISA45	4
17	72003001059	SPECIAL SCREW M10 SW19	2
18	70004016000	MONOSHOCK SCREW TOP M12X80	1
19	69004094000	HH COLLAR SCREW M10X56 WS13 08	1
20	0035080506S	AH-COLLAR SCREW M8X50 ISA45	1
21	54310086200	SELF LOCKING NUT M8 10.9	1
22	0035080406	AH-COLLAR SCREW M8X40 ISA45	1
23	70003024050	SIDESTANDSPRINGPLATE 12	1
24	0017060203	EJOT PT SCREW K60X20 WS=6	2
25	0016070253	PLASTIC SCREW K7X25 PT1447	2
26	70007039000	SEAT LOCKING MECHANISM	1
27	70007039060	BUSHING QUICK LOCK	1
28	70007039050	BRACKET QUICK LOCK	1
29	0024060106	HH COLLAR SCREW M6X10 TX30	2
30	72003096000	SPROCKET COVER	1
31	58314060050	SPACER BUSH. F. SPEEDOMET.BRA.	2
32	70003053000	CHAIN SLIDING PIECE BELOW CPL.	1
33	0025080356	HH COLLAR SCREW M8X35 TX40	1
34	78003040033	FOOTREST L/S + R/S CPL. 09	1
35	78003041050	FOOTREST R/S 08	1

127200310 / C127200310

\* NEW PART

X AS REQUIRED

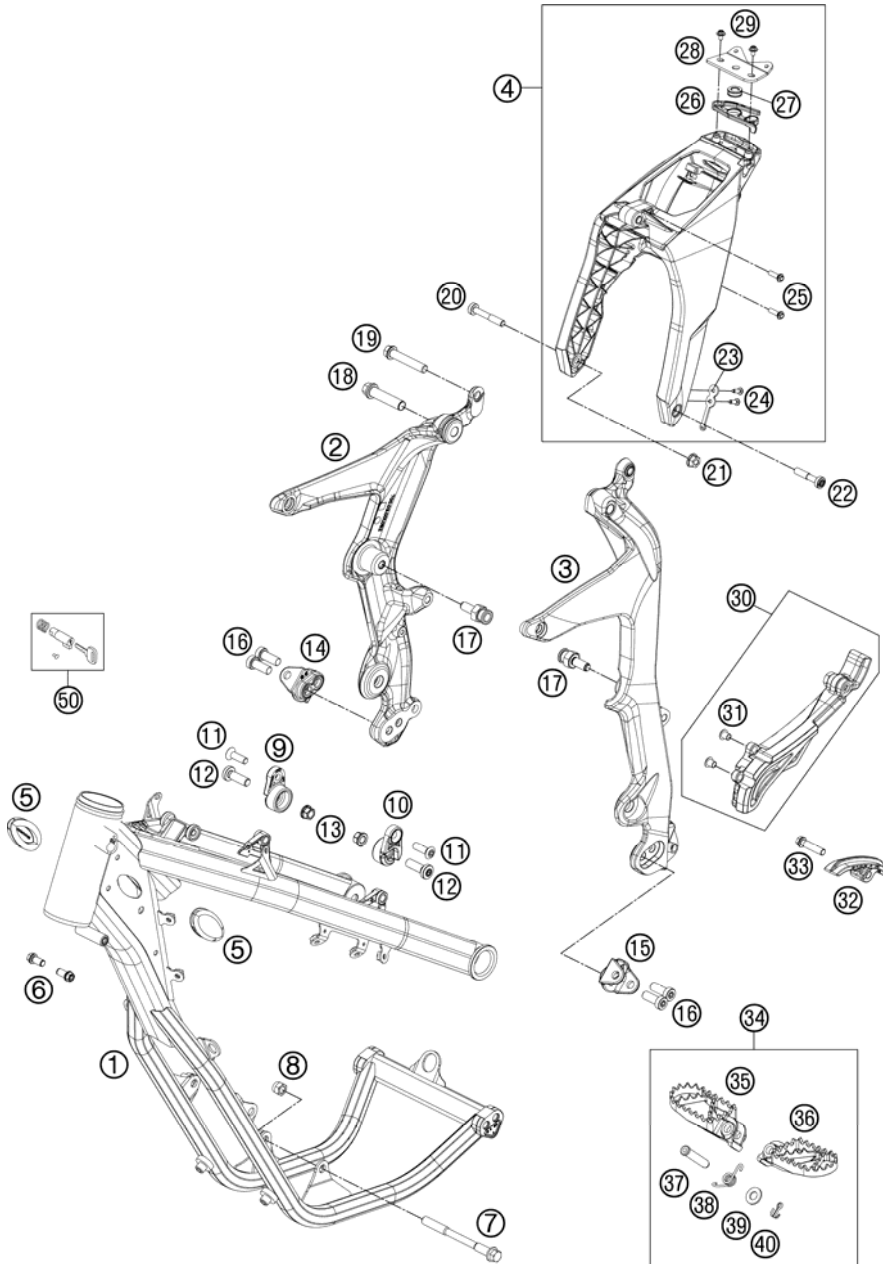


FIG	PART NUMBER	DESCRIPTION	QTY
36	78003040050	FOOTREST L/S 08	1
37	54803044000	BOLT FOR FOOT PED 03	2
38	54603041000	FOOTREST SPRING L/S & R/S	2
39	0125100003	WASHER DIN0125-A10,5	2
40	0094032253	PIN DIN0094-3,2X25 STEEL	2
50	78003035000	STEERING HEAD LOCK 08	1

127200310 / C127200310

\* NEW PART

X AS REQUIRED

# ENGINE GUARD

FREERIDE 350 EU 2012

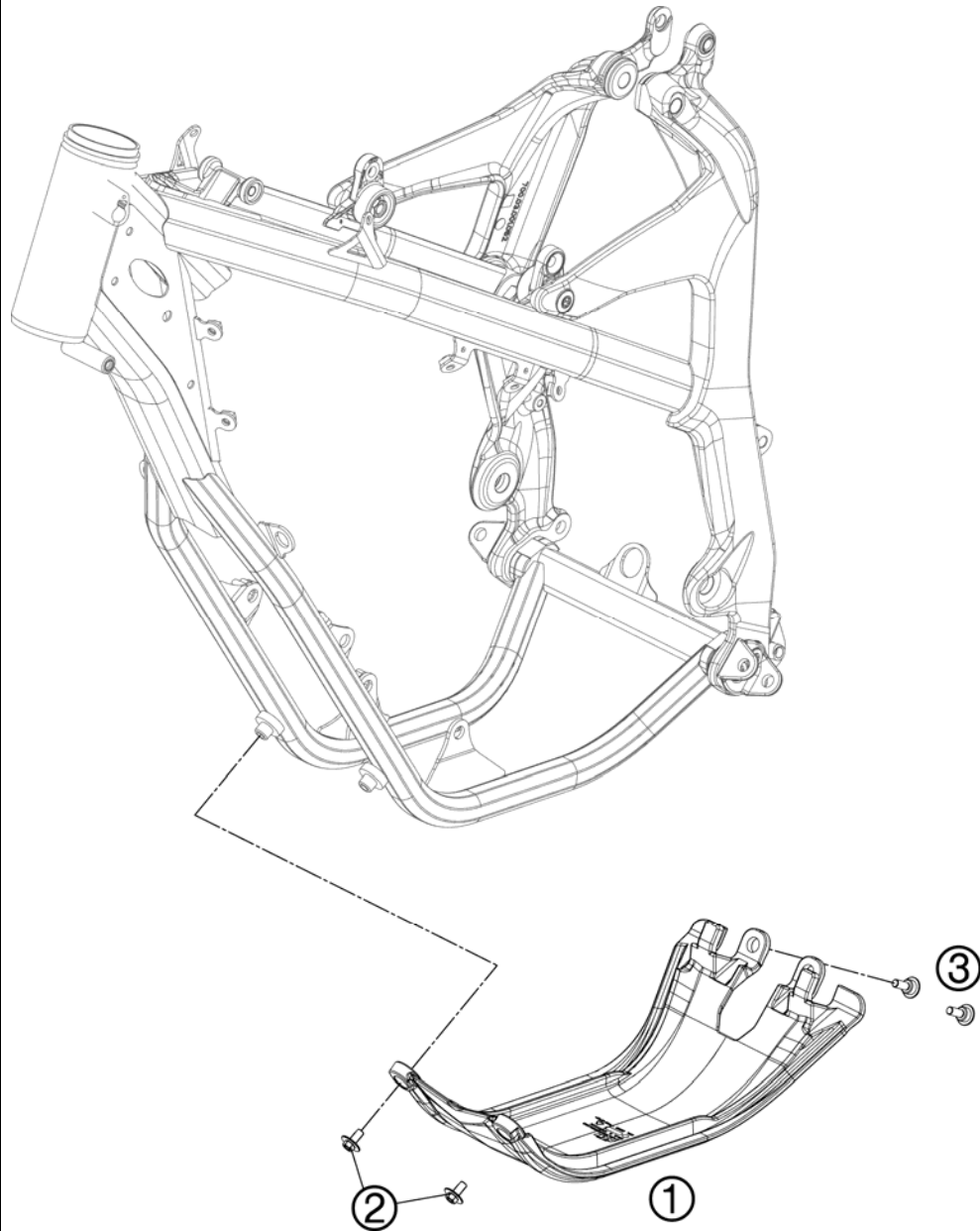


FIG	PART NUMBER	DESCRIPTION	QTY
1	72003090000	ENGINE GUARD '13	1
2	0024060123	COLLAR SCREW M6X12 TX	2
3	83008100020	SCREW M6X20X5,5	2

127200330 / C127200330

\* NEW PART

X AS REQUIRED

# SIDE STAND

FREERIDE 350 EU 2012

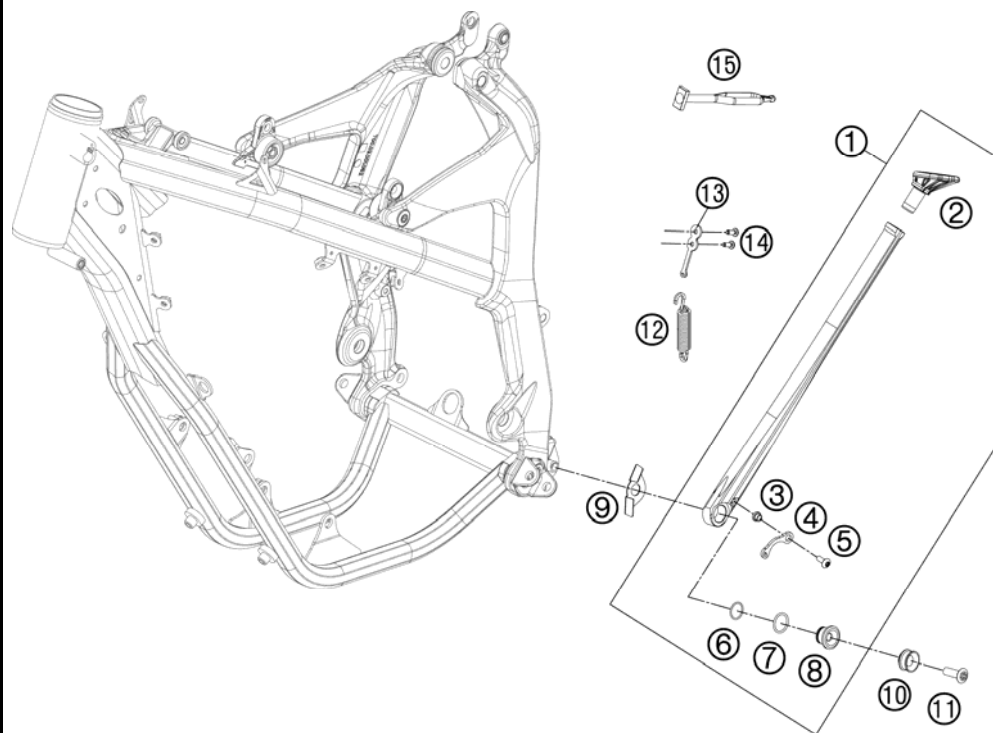


FIG	PART NUMBER	DESCRIPTION	QTY
1	70003023044	SIDE STAND CPL. 2012	1
2	78003023055	STAND BASE	1
3	78003023070	SPACER BUSH. SPRING BRACKET	1
4	78003023090	SPRING BRACKET F. SIDE ST. 08	1
5	58605083014	SCREW M5X14 TORX 25 07	1
6	0770125015	O-RING 12,5X1,5 NBR	1
7	0770180020	O-RING 18,00X2,00 NBR 70	1
8	78003023080	SIDE STAND BUSHING EXC USA 08	1
9	47003023050	STOP SHEET SST	1
10	78003023081	SIDE STAND BUSHING EXC-EU 08	1
11	0019080306S	COUNTER-SUNK SCREW ISA45 M8X30	1
12	81203024000	SIDE STAND SPRING EYE MOVEABLE	1
13	70003024050	SIDESTANDSPRINGPLATE 12	1
14	0017060203	EJOT PT SCREW K60X20 WS=6	2
15	50303018000	RUBBER L=145MM	1

127200360 / C127200360

\* NEW PART

X AS REQUIRED

# SHOCK ABSORBER

FREERIDE 350 EU 2012

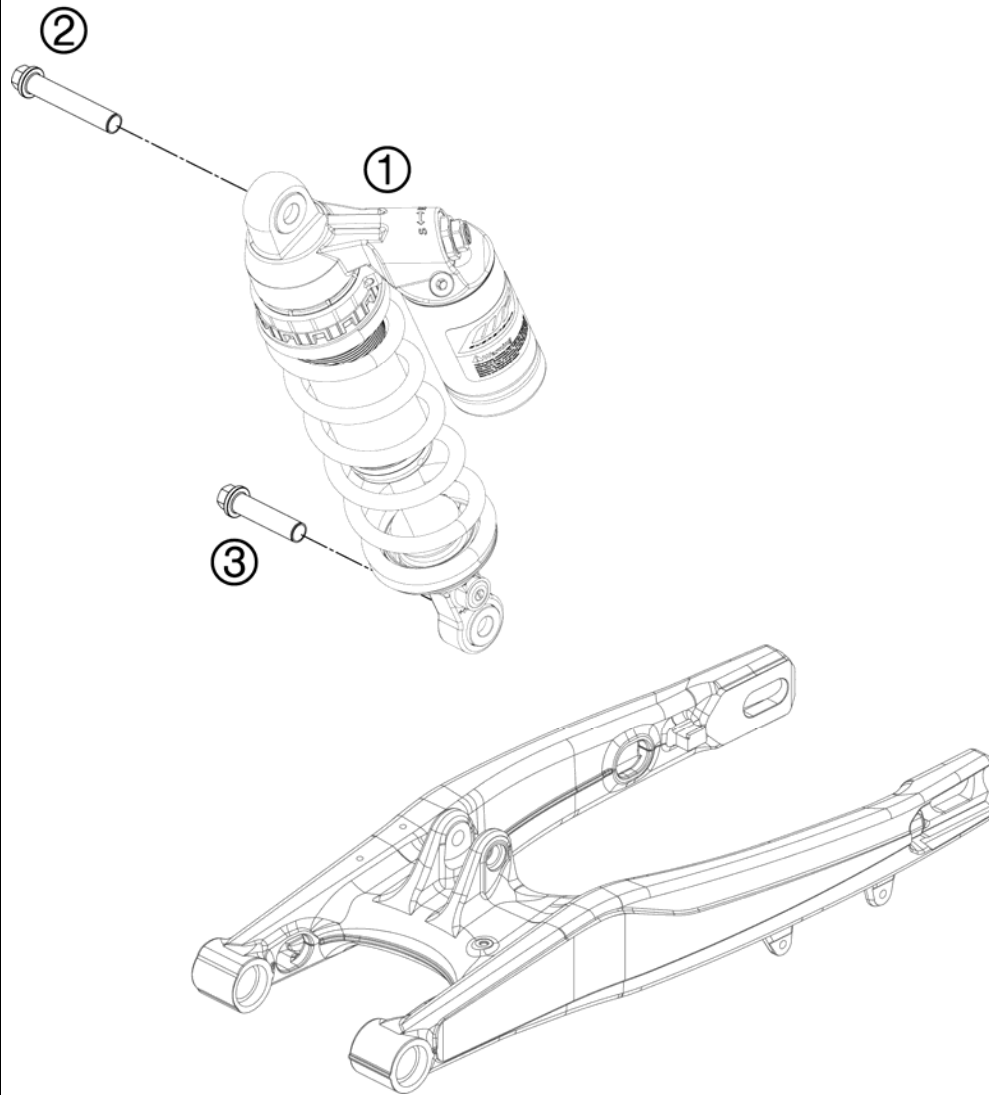


FIG	PART NUMBER	DESCRIPTION	QTY
1	15187L4001	MONOSHOCK FREERIDE 350 2012	1
2	70004016000	MONOSHOCK SCREW TOP M12X80	1
3	0025120506S	HH COLLAR SCREW M12X50 TX45	1

127200410 / C127200410

\* NEW PART

X AS REQUIRED

# SHOCK ABSORBER DISASSEMBLED

FREERIDE 350 EU 2012

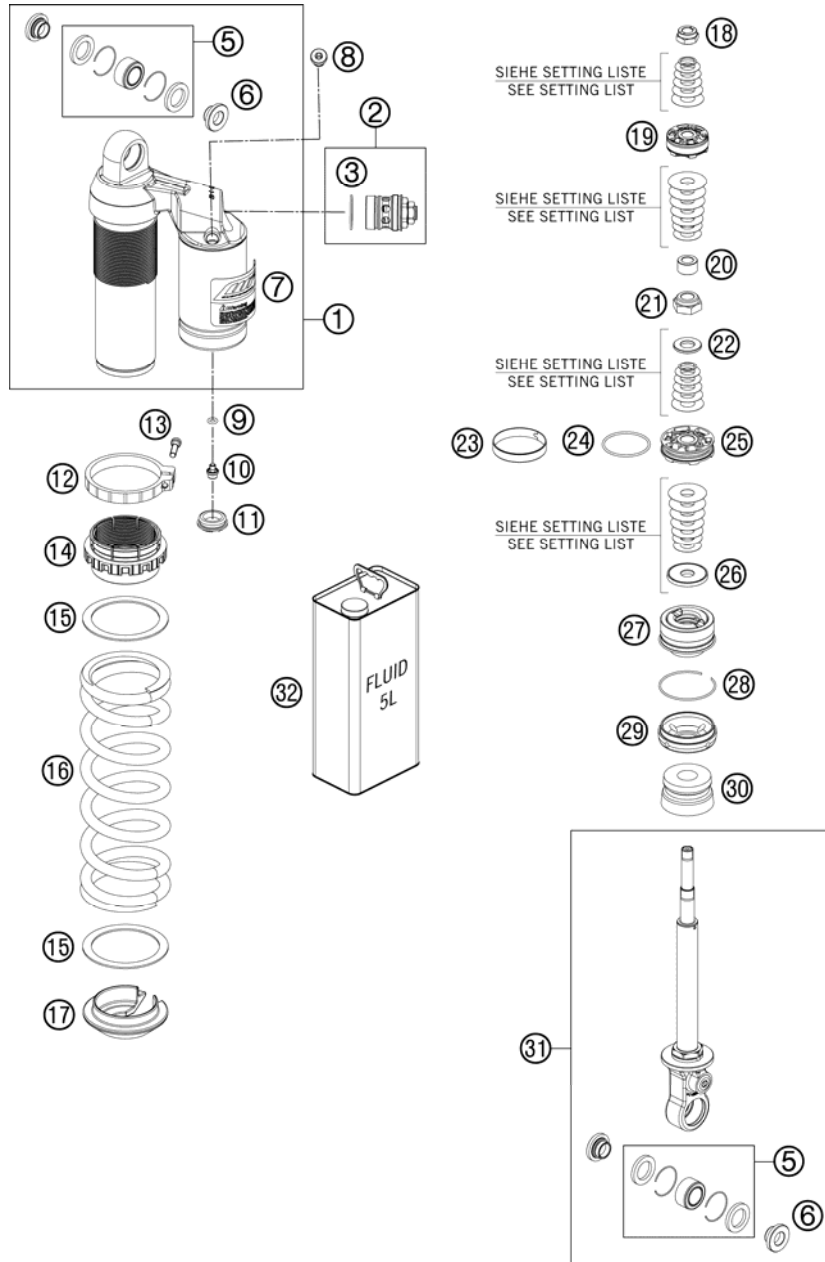


FIG	PART NUMBER	DESCRIPTION	QTY
1	46181018S1	MONOSHOCK CASE CPL.	1
2	50180213S15	DCC COMPR.DAMP.CON. SX 12 LINK	1
3	50180217	O-RING 27X1,5 VITON	1
5	R12012	REP. KIT BEAR./SEAL UP. 07	2
6	46181105	DISTANCE BUSH KGW 12X24	4
7	52000087	STICKER WP MONOSHOCK	1
8	50180095	BLEED PLUG R 1/8	1
9	46810893	O-RING NBR 5,28X1,78	1
10	36120151	SCREW PLUG M5X6	1
11	46811208	RUBBER CAP "DO NOT OPEN"	1
12	46181014	TENSIONING RING D64 H10	1
13	14460042	ALLENHEAD SCREW M5 L=20 STAINL	1
14	46181013	ADJUSTING NUT D46 PLASTIC	1
15	50180410	INTERM.RING D=58	2
16	91010309S	SPRING 58 N/MM SET	x
16	91010310S	SPRING 62 N/MM SET	1
16	91010311S	FEDER 66 N/MM SET	x
17	46180349	SPRING WASHER H=15 D=28	1
18	46180356	PISTON ROD NUT M10X1	1
19	14460016	PISTON + PISTON SPRING	1
20	46181016	SANDWICH BUSH 10X17X10	1
21	46810474	PISTON ROD NUT	1
22	46811258	RING 12X24X2,5	1
23	46811206	PISTON RING 8X46	1
24	46810035	O-RING VITON 37,82X1,78	1
25	46810560	PISTON 6+6D7	1
26	14460017	REBOUND DISC H=4	1
27	46180669S	ADAPTOR CPL. D=46 H=28 07	1
28	46810010	CIRCLIP 49X1,5	1
29	46180338	CAP D=46 H=9,5	1
30	46180365	BUMP RUBBER WP60 H=30 D=18-26	1
31	46180520S4	MONOSHOCK LOWER PART	1
32	50180751S1	SHOCK ABSORBER FLUID 5 LT	1

127200430 / C127200430

\* NEW PART

X AS REQUIRED

# SWING ARM

FREERIDE 350 EU 2012

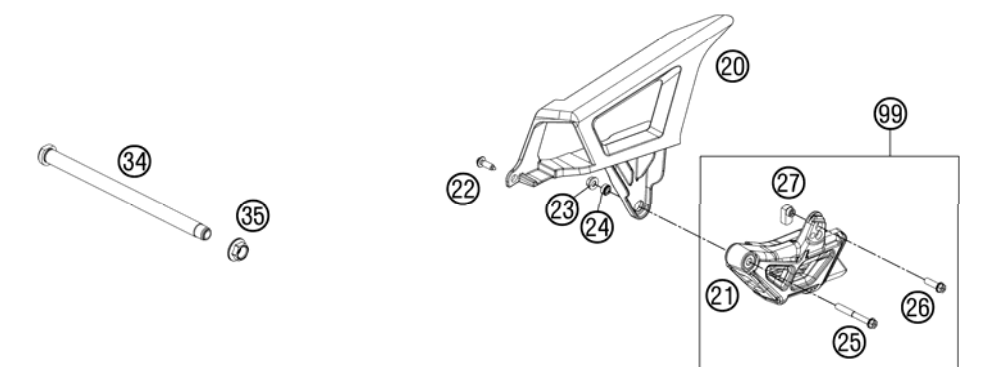
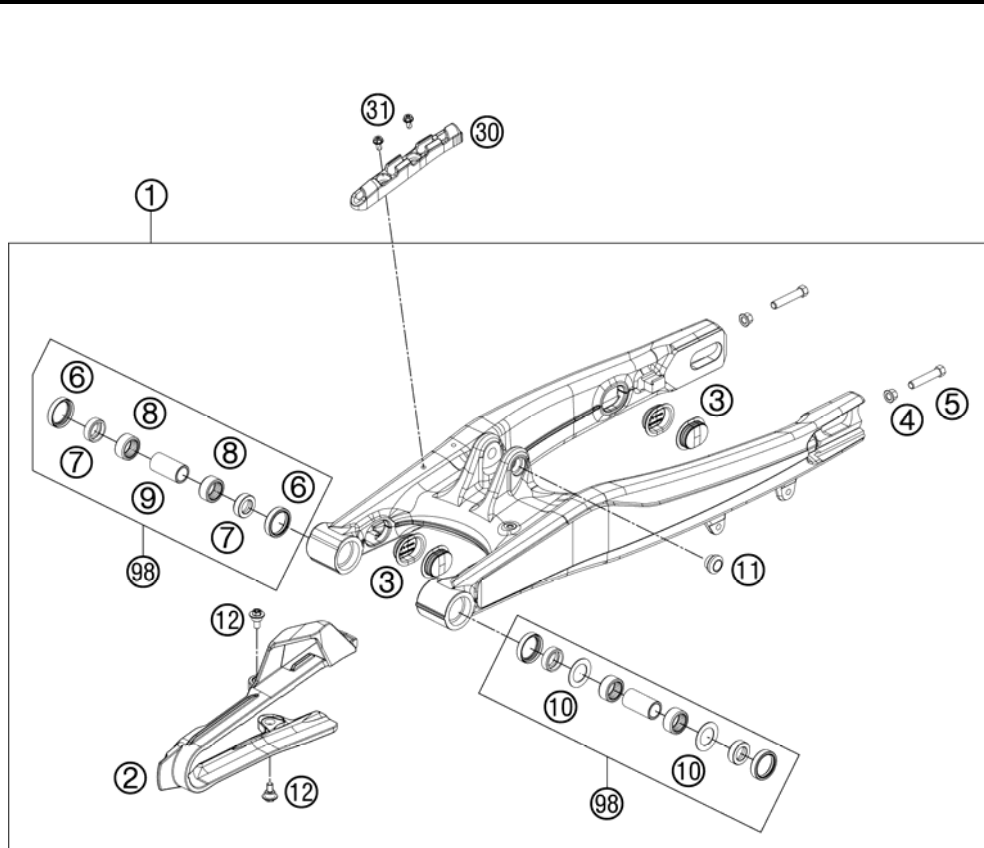


FIG	PART NUMBER	DESCRIPTION	QTY
1	70004030044	SWINGARM CPL.	1
2	70004066000	CHAIN GUIDE GUARD	1
3	77204041000	CLOSING COVER	4
4	46030045000	COLLAR NUT M8 WS=10	2
5	50203030090	HH SCREW M8X40 WS=10	2
6	0760253270	SHAFT SEAL RING 25X32X7	4
7	54603090000	BUCKET F.SHAFTSEALRING 15X25X9	4
8	59004031000	NEEDLE BUSH HK2012V	4
9	50203081700	BUSHING SLEEVE 15X20X38,75	2
10	59033080000	SHIM 20X32X1	2
11	50180105	THREADED BUSH M12 PDS	1
12	83008100015	SPECIAL SCREW M6X15X5,5	2
20	70004060000	CHAIN GUARD	1
21	78004070100	CHAIN GUIDE CPL.	1
22	0017060203	EJOT PT SCREW K6X20 WS=6	1
23	56509064100	SELF LOCKING NUT M6 10.9	1
24	54603055051	PRESS IN NUT M6 STEEL ZINC	1
25	0025060506	HH COLLAR SCREW M6X50 TX30	1
26	0025060206	HH COLLAR SCREW M6X20 TX30	1
27	77304070030	INSERTION NUT F. CHAIN GUIDE	1
30	70013047000	BRAKE HOSE GUIDE	1
31	0009050106	EJOT SPIRAL SCREW SF M5X10-K	2
34	70004037000	SWING ARM BOLT L=239 '12	1
35	77204087000	HEX NUT M14X1.5 SW17	1
98	47004230010	SWINGARM REP. KIT 105/85 SX	x
99	77304070310	CHAIN GUIDE KIT REAR 08-12	x

127200490 / C127200490

\* NEW PART

X AS REQUIRED

# EXHAUST SYSTEM

FREERIDE 350 EU 2012

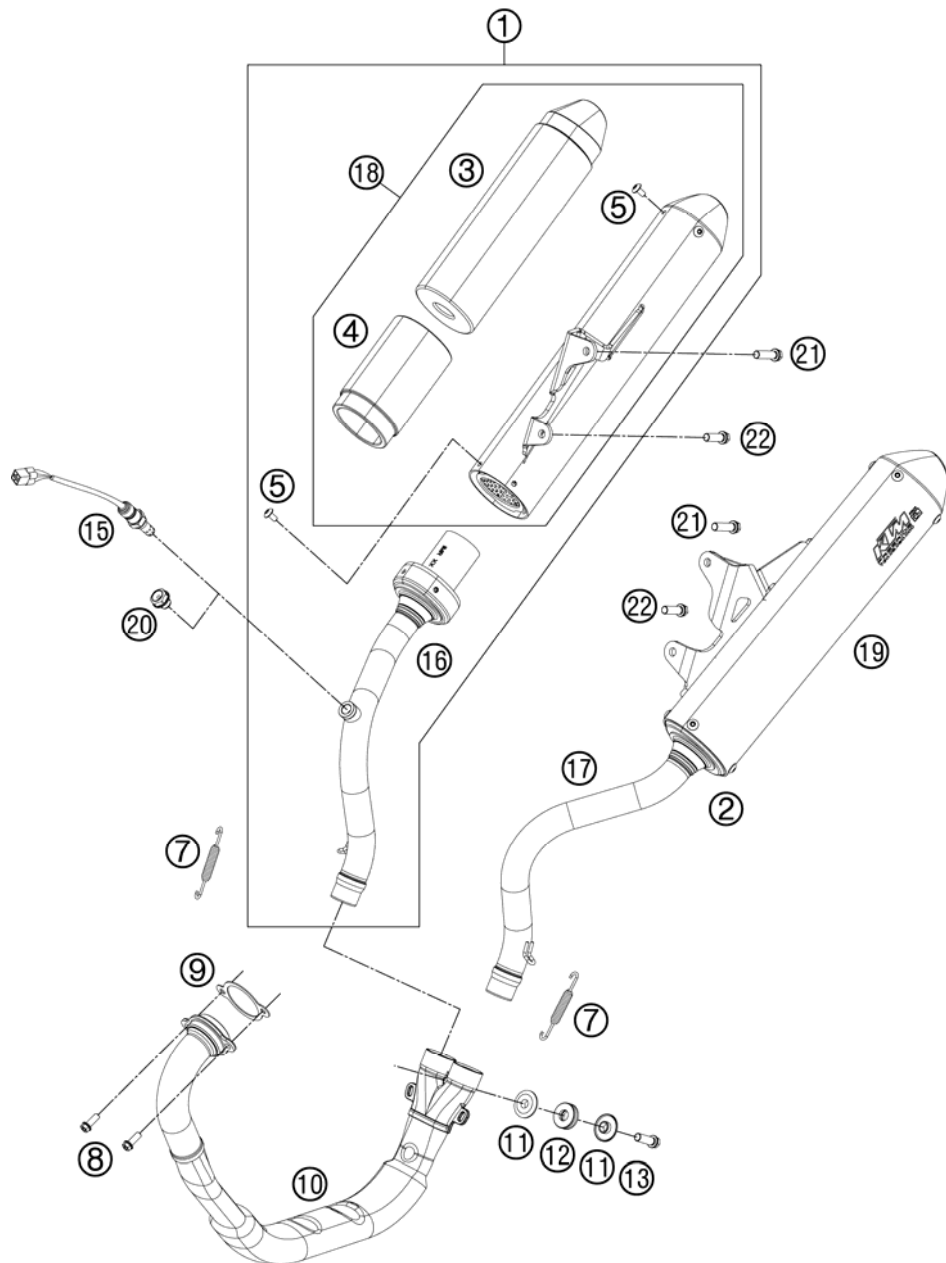


FIG	PART NUMBER	DESCRIPTION	QTY
1	72005081000	SILENCER R/S	1
2	72005080000	SILENCER L/S	1
3	72005078200	ROCKWOOL PREFORMED REAR	2
4	72005078070	ROCKWOOL PREFORMED FRONT	2
5	78105081010	SCREW TORX M5X10	16
7	50305016000	TEN.SPRING L=62MM EY.MOVEABLE	2
8	0025060166	HH COLLAR SCREW M6X16 TX30	2
9	77236041000	GASKET EXHAUST FLANGE	1
10	72005007000	EXHAUST MANIFOLD CPL.	1
11	59405069000	BUSHING FOR EXHAUST SUPPORT 03	2
12	77205068000	DAMP. COMPON. BLACK	1
13	0025080256	HH COLLAR SCREW M8X25 TX40	1
15	75041090000	LAMBDA SENSOR 07	1
16	72005081050	CONNECTING CAP SILEN. R/S CPL.	1
17	72005080050	CONNECTING CAP L/S CPL.	1
18	72005081044	SILENCER REAR PART R/S CPL.	1
19	72005080044	ED HINTERTEIL LINKS KPL.	1
20	77405009065	PLUG SCREW M12X1,25 WS17	1
21	0025080256S	HH COLLAR SCREW M8X25 TX40	2
22	0025080206S	HH COLLAR SCREW M8X20 ISA40	2

127200510 / C127200510

\* NEW PART

X AS REQUIRED



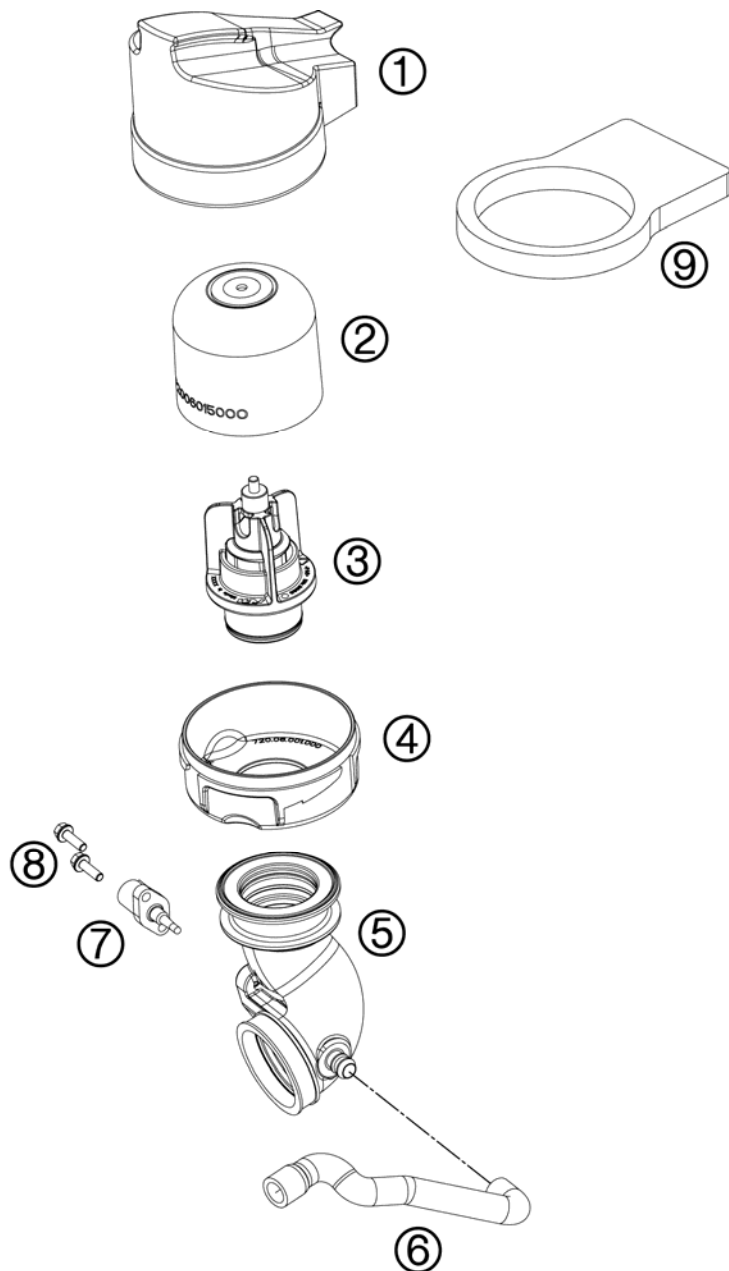


FIG	PART NUMBER	DESCRIPTION	QTY
1	72006001050	AIRBOX UPPER-PART	1
2	72006015000	AIR FILTER	1
3	72006016000	FILTER CARRIER	1
4	72006001000	FILTER BOX LOWER PART	1
5	72006026000	AIRBOX RUBBER	1
6	72030087000	ENGINE BREATHER HOSE	1
7	61041080000	AMBIENT-AIR TEMPERATURE SENSOR	1
8	0025050166	HH COLLAR SCREW M5X16 TX30	2
9	72006021000	WATERPROTECTOR F. AIRFILTER	1

127200610 / C127200610

\* NEW PART

X AS REQUIRED

# TANK, SEAT, COVER

FREERIDE 350 EU 2012

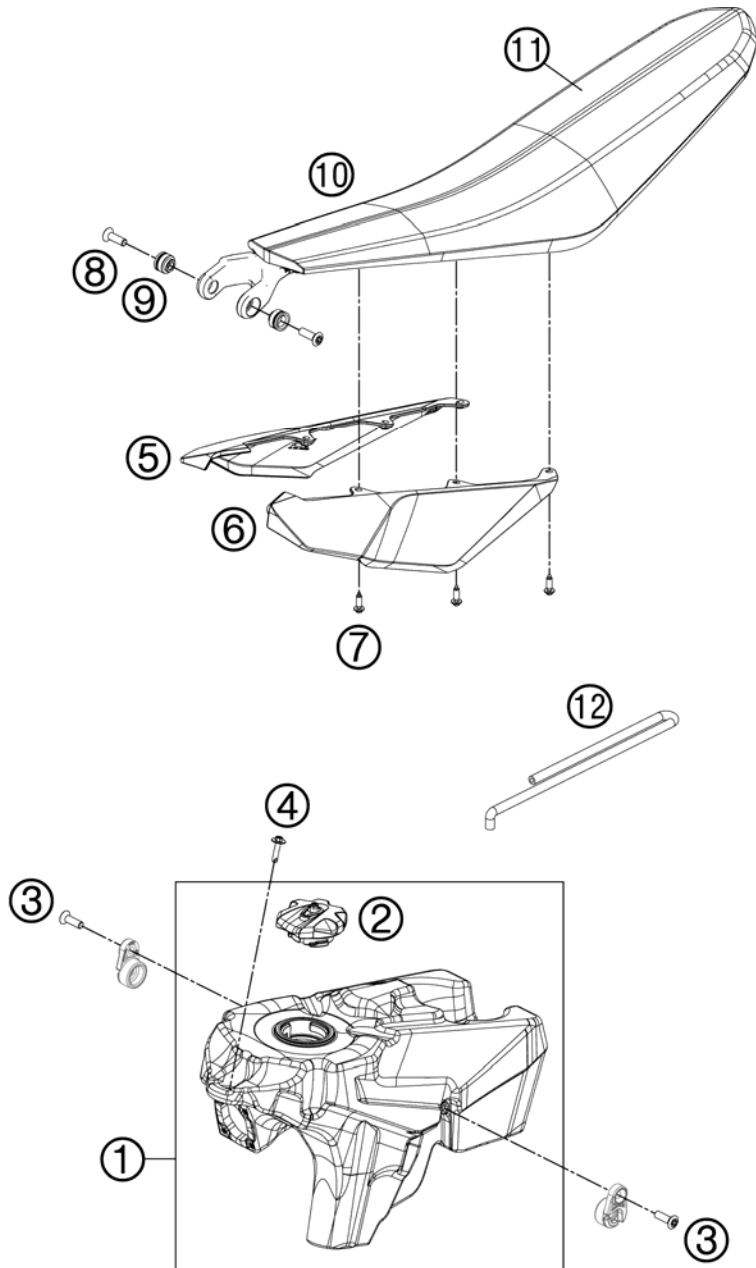


FIG	PART NUMBER	DESCRIPTION	QTY
1	7200701304499	FUEL TANK CPL. FREERIDE	1
2	78007008044X4	TANK PLUG ORANGE/BLACK	1
3	0019080206	COUNTER-SUNK SCREW ISA45 M8X20	2
4	0024060273	COLLAR SCREW M6X27 TX	1
5	7000702505130A	ACCUCOVER R/S BLACK FREER. 12 WITH DECAL	1
6	7000702505030A	ACCUCOVER L/S BLACK FREER. 12 WITH DECAL	1
7	0017060204	EJOT PT SCREW K60X20 ALU WS=6	6
8	0019080266S	COUNTER-SUNK SCREW ISA45 M8X26	2
9	70003001057	BUSHING	2
10	70007040100	SEAT HIGH CPL. '13	1
11	70007040150	SEAT COVER	1
12	72007031000	BREATHER HOSE FUEL TANK	1

127200710 / C127200710

\* NEW PART

X AS REQUIRED

# FUEL PUMP

FREERIDE 350 EU 2012

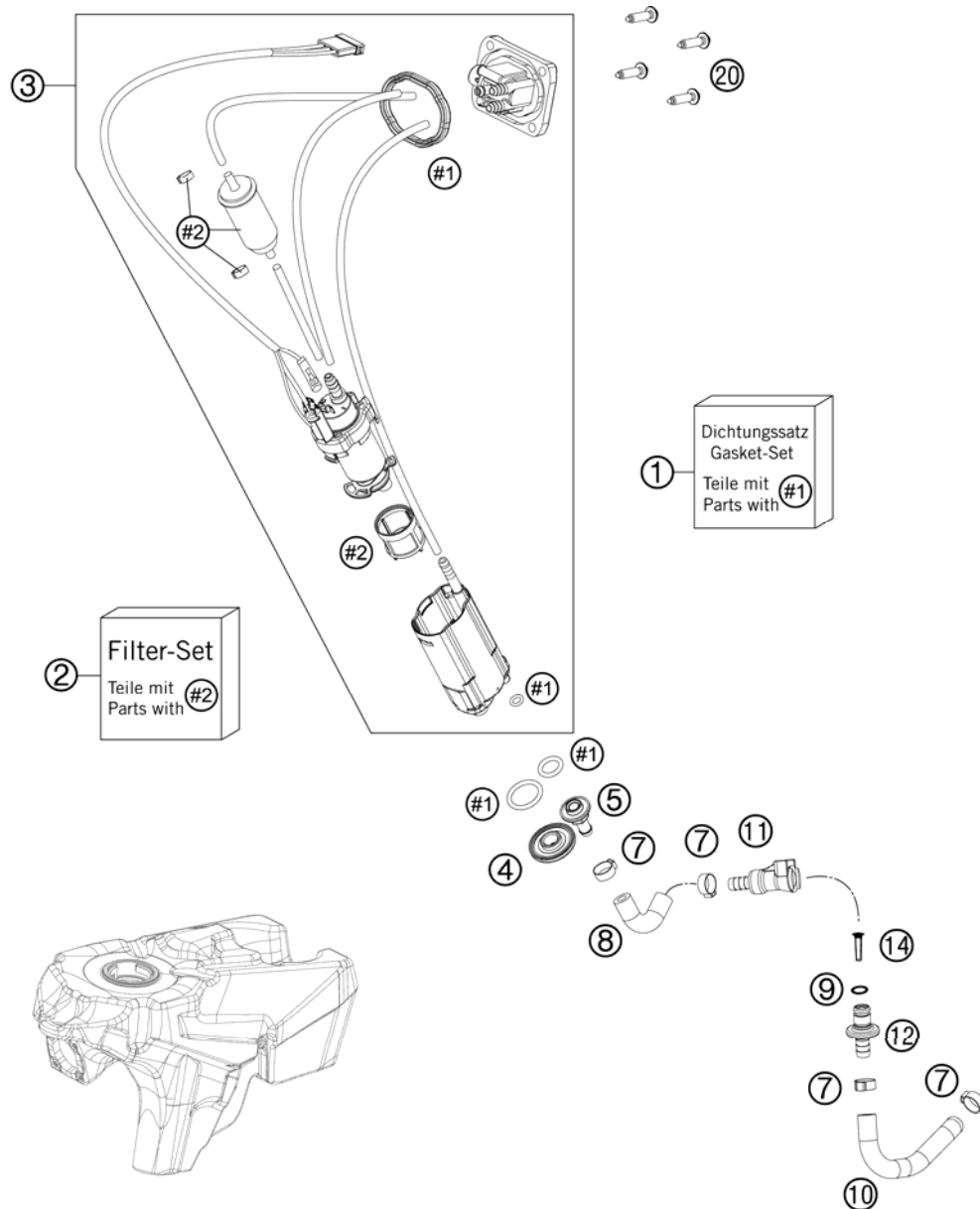


FIG	PART NUMBER	DESCRIPTION	QTY
1	78107089000	GASKET KIT	1
2	81207090000	FILTER KIT	1
3	78107088000	FUEL PUMP CPL. EXC	1
4	78107088014	NUT F. FUEL PUMP M12	1
5	78107088017	FUEL CONNECTOR M8	1
7	00050157706	VARIABLE ONE-EAR CLAMP 15,7MM	4
8	78107116000	FUEL HOSE TANK	1
9	58507012000	O-RING VITON F. PLUG CPC 05	1
10	72007016000	FUEL PREFORMED HOSE DKK	1
11	5850701050030	CLUTCH CPC BLACK 05	1
12	77707010000	CONNECTOR FUEL PUMP	1
14	78141013190	FUEL FILTER	1
20	0017060253	EJOT PT SCREW K60X25-Z SW=6	4

127200730 / C127200730

\* NEW PART

X AS REQUIRED

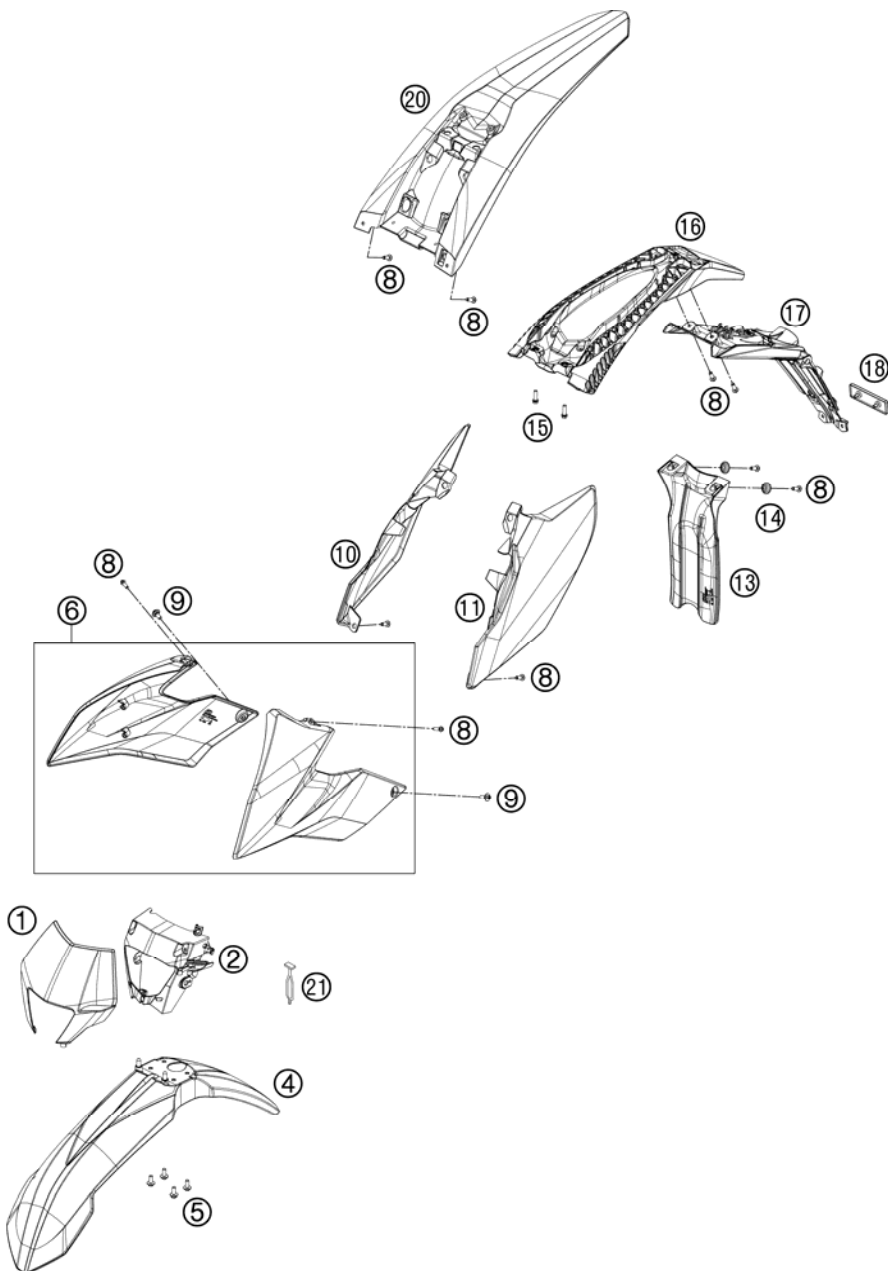


FIG	PART NUMBER	DESCRIPTION	QTY
1	7000800200028	HEAD LIGHT MASK TOP PART WHITE	1
2	7000800100030	HEADLIGHTMASK LOWER PART	1
4	4710801000028	FRONT FENDER WHITE	1
5	0024060156	HH COLLAR SCREW M6X15 TX30	4
6	7000805400028A	SPOILER KIT FREERIDE WHITE WITH DECAL	1
8	0017060204	EJOT PT SCREW K60X20 ALU WS=6	10
9	83008000012	SPECIAL SCREW M6X12X3	2
10	7000804200028	SIDE COVER R/S WHITE	1
11	7000804100028	SIDE COVER L/S WHITE	1
13	70004050000	SPLASHBACK	1
14	77304066050	BUSHING F. CHAIN SLIDING PR.07	2
15	0025060206	HH COLLAR SCREW M6X20 TX30	2
16	70008016000	NUMBER PLATE CARRIER TOP	1
17	70008016050	NUMBER PLATE CARRIER BOTTOM	1
18	58412080000	REFLECTOR RED LC4 '98	1
20	7000801310028	REAR PART FREERIDE WHITE	1
21	50303018000	RUBBER L=145MM	2

127200810 / C127200810

\* NEW PART

X AS REQUIRED

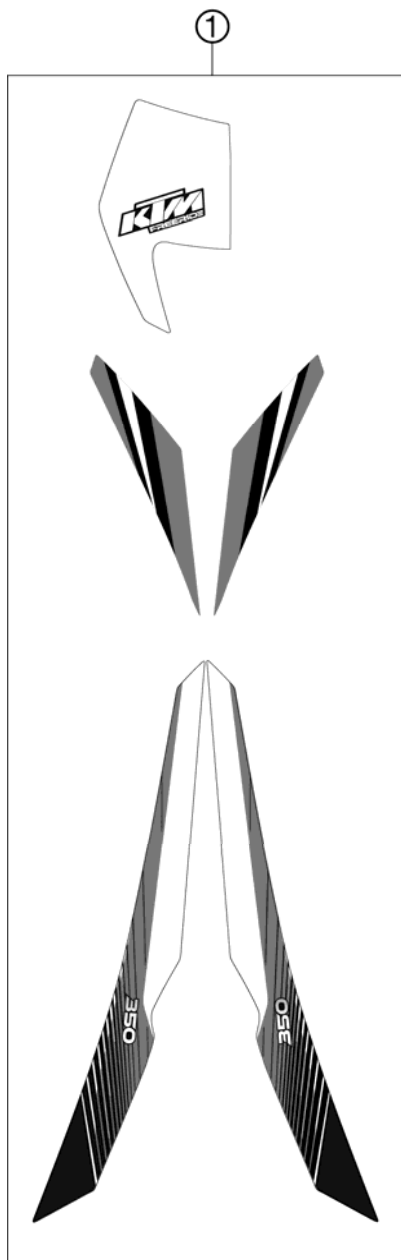


FIG	PART NUMBER	DESCRIPTION	QTY
1	72008099000	DECAL KIT 350 FREERIDE	1

127200830 / C127200830

\* NEW PART

X AS REQUIRED

# FRONT WHEEL

FREERIDE 350 EU 2012

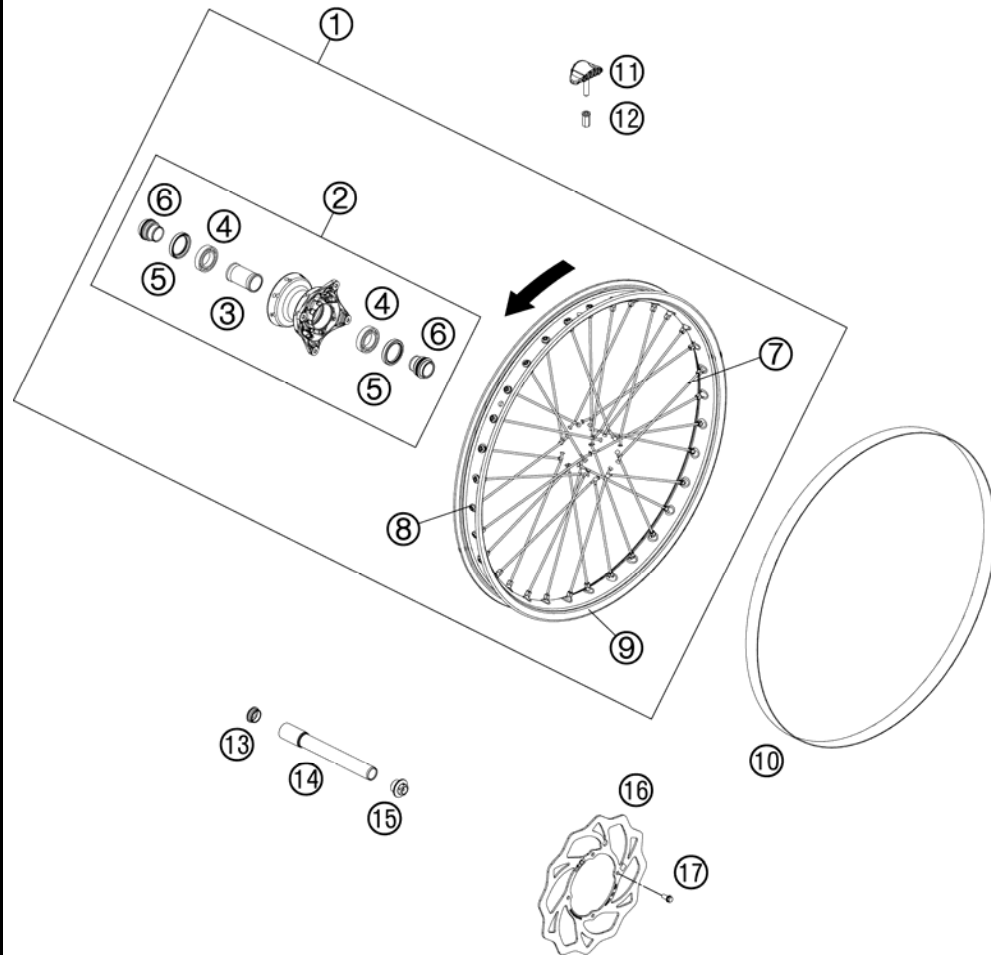


FIG	PART NUMBER	DESCRIPTION	QTY
1	7000900104430	FRONT WHEEL CPL. BLACK 12	1
2	70009010044	FRONT WHEEL HUB CPL. 12	1
3	70009011000	BEAR.SPACER TUBE FRONT D22MM	1
4	0760324271	SHAFT SEAL RING 32X42X7 BSL	2
5	0625069050	BALL BEARING 6905 J1LLUC3	2
6	70009012000	SPACER BUSHING D=22MM	2
7	7000907123230	SPOKE FRONT 232MM BLACK	32
8	77109072000	SPOKE NIPPLE M4,5 AL 11	32
9	7000907000030	RIM FRONT 21X1,6-32 BLACK	1
10	50309073000	RIM BAND 21"	1
11	78109090000	RIM LOCK 1,60"	1
12	77110090050	NUT FOR WHEEL HOLDER	1
13	70009081050	PLUG BUSHING SW17 '12	1
14	70009081000	AXLE FRONT D=22 '12	1
15	70009082000	AXLESCREW M20X1.5; SW17	1
16	72009060000	BRAKE DISC FRONT D=260MM	1
17	59009062013	SPECIAL SCREW M6X13 WS=8 10.9	4

127200910 / C127200910

\* NEW PART

X AS REQUIRED

# REAR WHEEL

FREERIDE 350 EU 2012

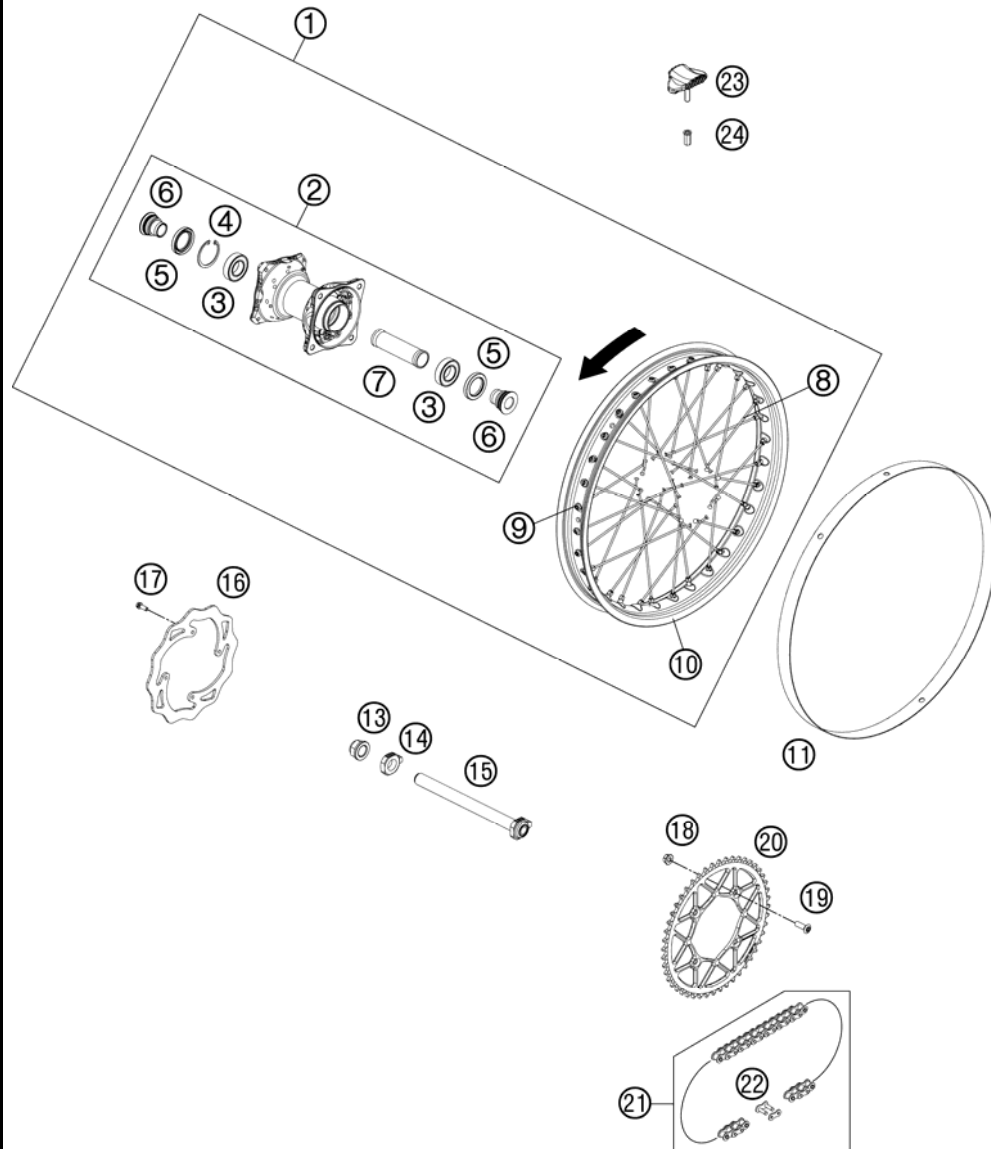


FIG	PART NUMBER	DESCRIPTION	QTY
1	7201000104430	REAR WHEEL CPL. BLACK 12	1
2	70010010044	REAR WHEEL HUB CPL. 12	1
3	0625060058	GR.BALL BEAR.6005 DDU2CG23S6NM	2
4	0472047175	CIRCLIP DIN0472-47X1,75	1
5	0760324771	SHAFT SEAL RING 32X47X7 BSL	2
6	78010016000	BUSHING FOR HUB 08	2
7	70010011000	BEAR.SPACER TUBE 12	1
8	7001007119330	SPOKE REAR 193 MM BLACK	32
9	77109072000	SPOKE NIPPLE M4,5 AL 11	32
10	7201007000030	RIM REAR 18X2,15-32 BLACK	1
11	72010073000	RIM BAND 18"	1
13	50310099000	HEXAGON NUT M20X1,5 '98	1
14	70010084000	CHAIN TENSIONER R/S 12	1
15	70010085044	WHEEL SPINDLE REAR CPL. 12	1
16	47010060500	REAR BRAKE DISC	1
17	59009062013	SPECIAL SCREW M6X13 WS=8 10.9	4
18	06923080003	HEXAGON NUT DIN EN1661 M8 SW13	4
19	0019080266S	COUNTER-SUNK SCREW ISA45 M8X26	4
20	7201005104630	SPROCKET 46-T BLACK	x
20	7201005104830	SPROCKET 48-T BLACK	1
21	78010167118	CHAIN DID 118 ROLLS	1
22	78010166000	CONNECTING LINK F. 78010167118	1
23	78110090000	RIM LOCK 2,15"	1
24	77110090050	NUT FOR WHEEL HOLDER	1

127201010 / C127201010

\* NEW PART

X AS REQUIRED

# WIRING HARNESS

FREERIDE 350 EU 2012

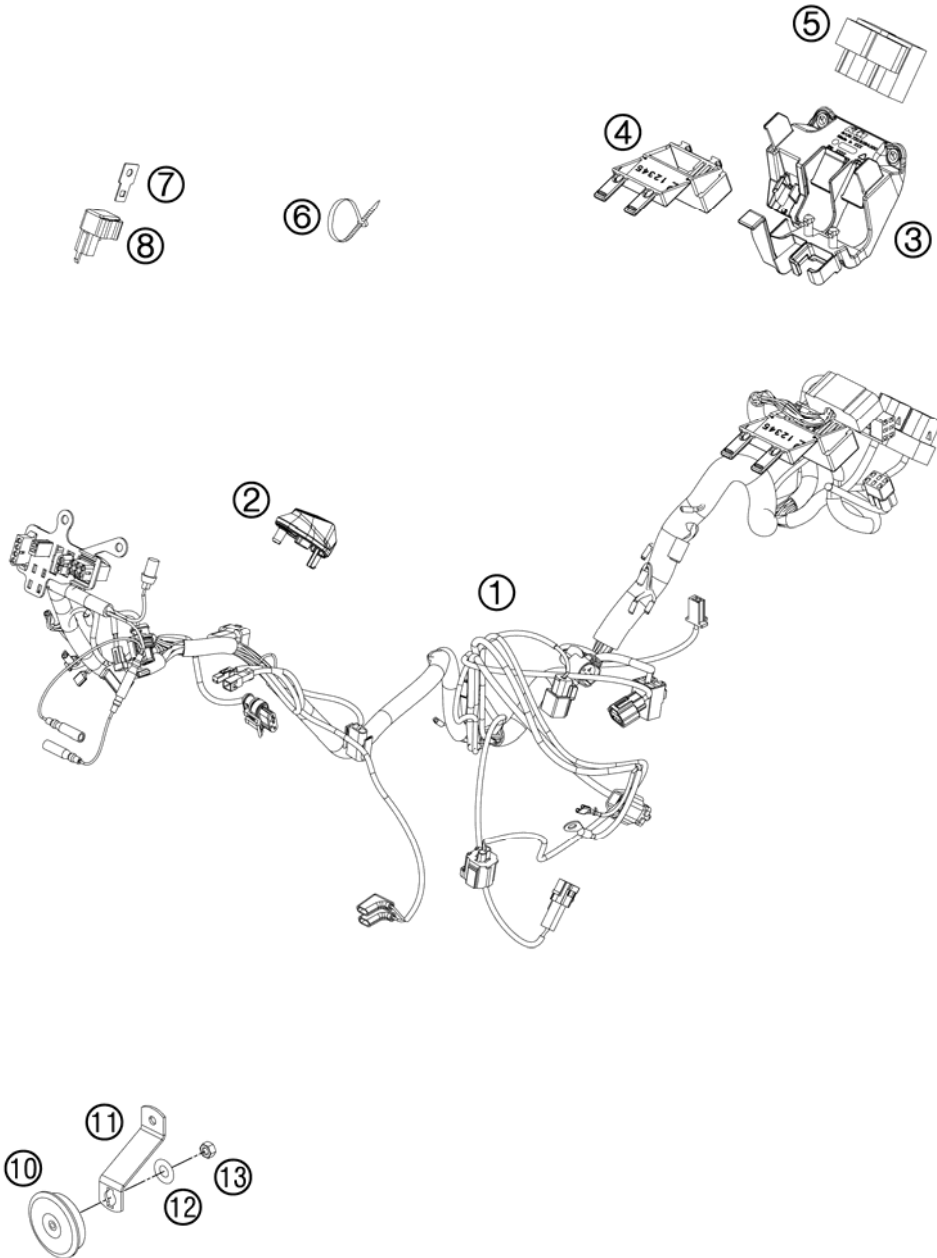


FIG	PART NUMBER	DESCRIPTION	QTY
1	72011075000	WIRING HARN. EFI KPL.FREER. 12	1
2	72014098000	HOLDER INDICATOR LIGHT	1
3	72011094000	ELECTRIC BOX	1
4	58411087050	RUBBERCOVER F.LOCKHOLDER	1
5	61111057000	RELAY CM1A-R-12V-H80 07	2
6	44011076140	CABLE TIE 140/2,5MM BLACK	x
6	44011076200	CABLE TIE 200/3,6MM BLACK	x
6	44011076305	CABLE TIE 300/4,8MM BLACK	x
7	58211031100	BRACKET FOR FLASHER RELAY	1
8	44611207200	FLASHER UNIT 97	1
10	50311060200	DC HORN 12V 07	1
11	78011061000	HORN BRACKET EXC 08	1
12	0125050003	WASHER DIN0125-A 5,3	1
13	0934050003	HEXAGON NUT DIN0934-M 5	1

127201110 / C127201110

\* NEW PART

X AS REQUIRED



# BATTERY

FREERIDE 350 EU 2012

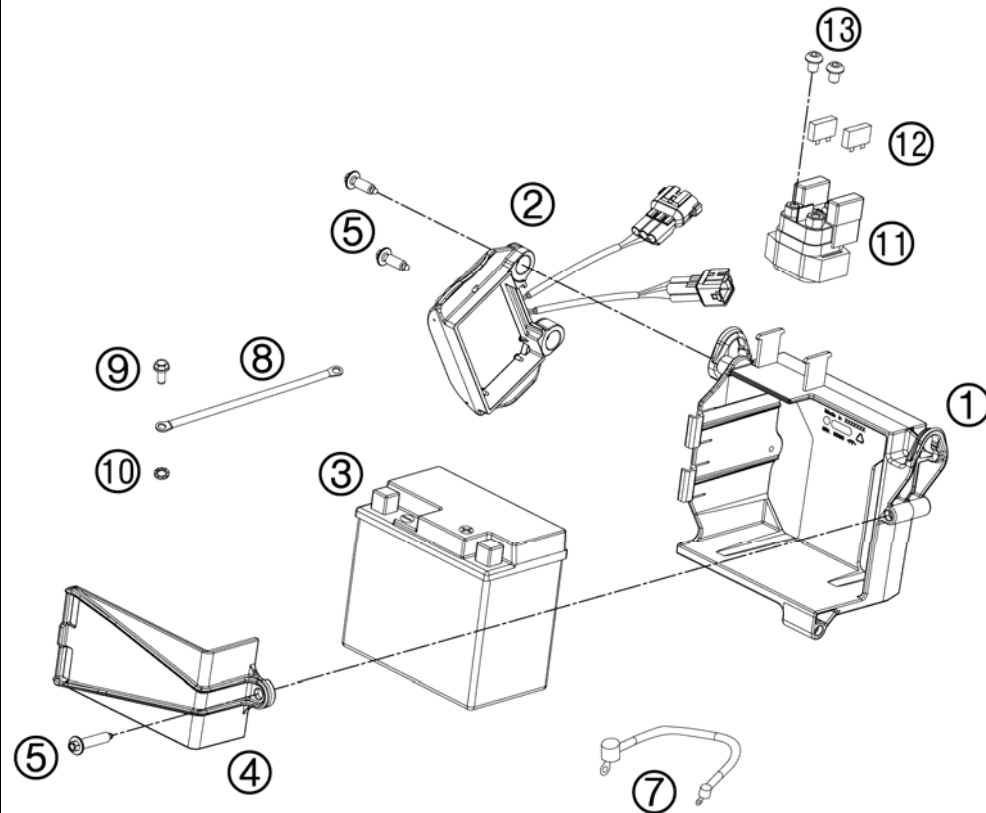


FIG	PART NUMBER	DESCRIPTION	QTY
1	72011054000	BATTERY CASE	1
2	78111034000	VOLTAGE REGULATOR	1
3	58511053000	BATTERY 12V 4AH YTX5L-BS	1
4	72011054010	BATTERY BRACKET	1
5	0017060203	EJOT PT SCREW K60X20 WS=6	3
7	58711086000	WIRING HARNESS BATTERY DUKE'99	2
8	72011097000	GROUND CABLE L=300 12	1
9	0026060136	COLLAR SCREW M6X13 ISA30	1
10	58411098100	CONTACT WASHER M6 VSV-K6	1
11	76211058000	STARTER RELAY 07	1
12	58011109120	FUSE 20 A	2
13	0902060083	AH OVAL SCREW ISO 7380 M 6X8	2

127201130 / C127201130

\* NEW PART

X AS REQUIRED

# HAND BRAKE CYLINDER

FREERIDE 350 EU 2012

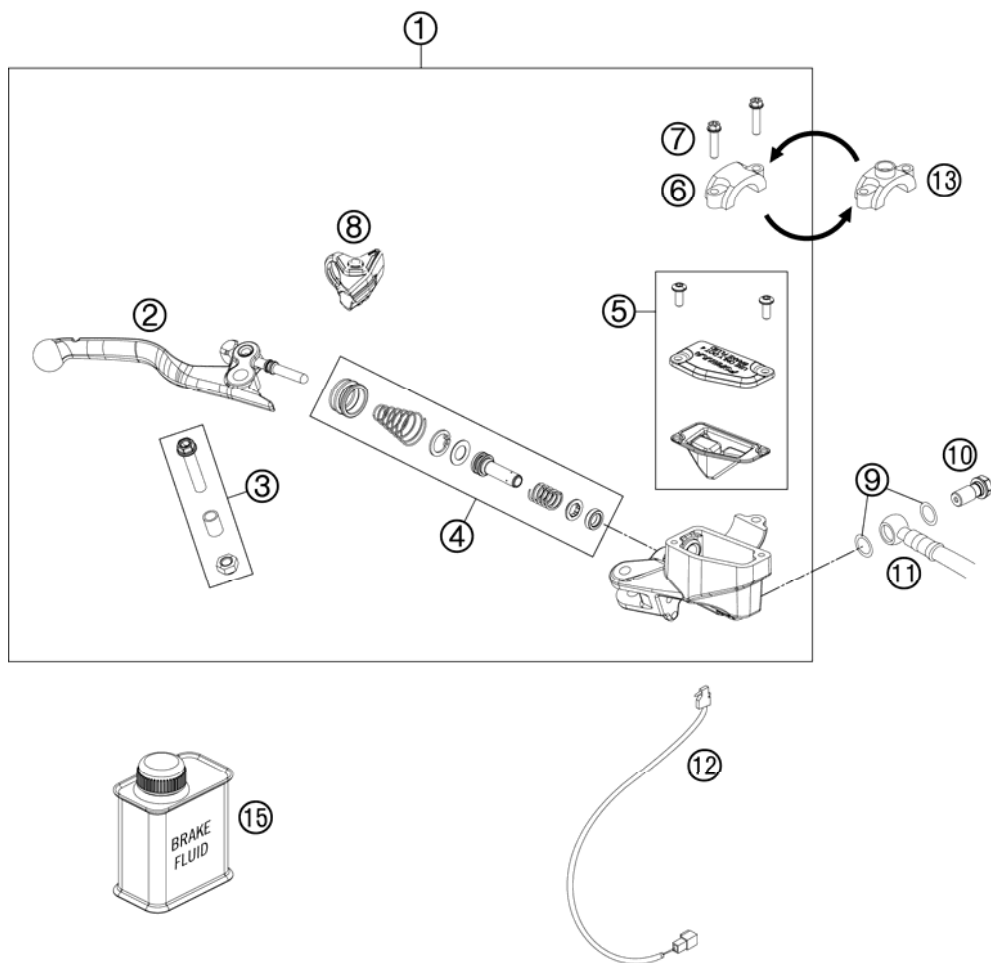


FIG	PART NUMBER	DESCRIPTION	QTY
1	7001300100028	HAND BREAK CYLINDER CPL.9,5MM	1
2	70013002000	LEVER CPL.	1
3	70002038000	LEVER SCREW CPL.	1
4	70002032000	REP. SET PISTON 9,5MM	1
5	70013003000	COVER HAND BRAKE CYLINDER CPL.	1
6	58012040150	CLAMP FOR MIRROR '94	1
7	0025060256	HH COLLAR SCREW M6X25 TX30	2
8	70013004000	MUDCOVER HANDBRAKE LEVER	1
9	0770080019	O-RING 8,00X1,00 FORMULA	2
10	47013025000	HOLLOW SCREW BRAKE CYLINDER 03	1
11	70013010000	BRAKE HOSE FRONT L=1165MM	1
12	50311050100	BRAKE LIGHT SWITCH FRONT 2002	1
13	58012040150	CLAMP FOR MIRROR '94	1
15	00062030000	BRAKE FLUID DOT5.1 0,25L	1

127201310 / C127201310

\* NEW PART

X AS REQUIRED

# REAR BRAKE CONTROL

FREERIDE 350 EU 2012

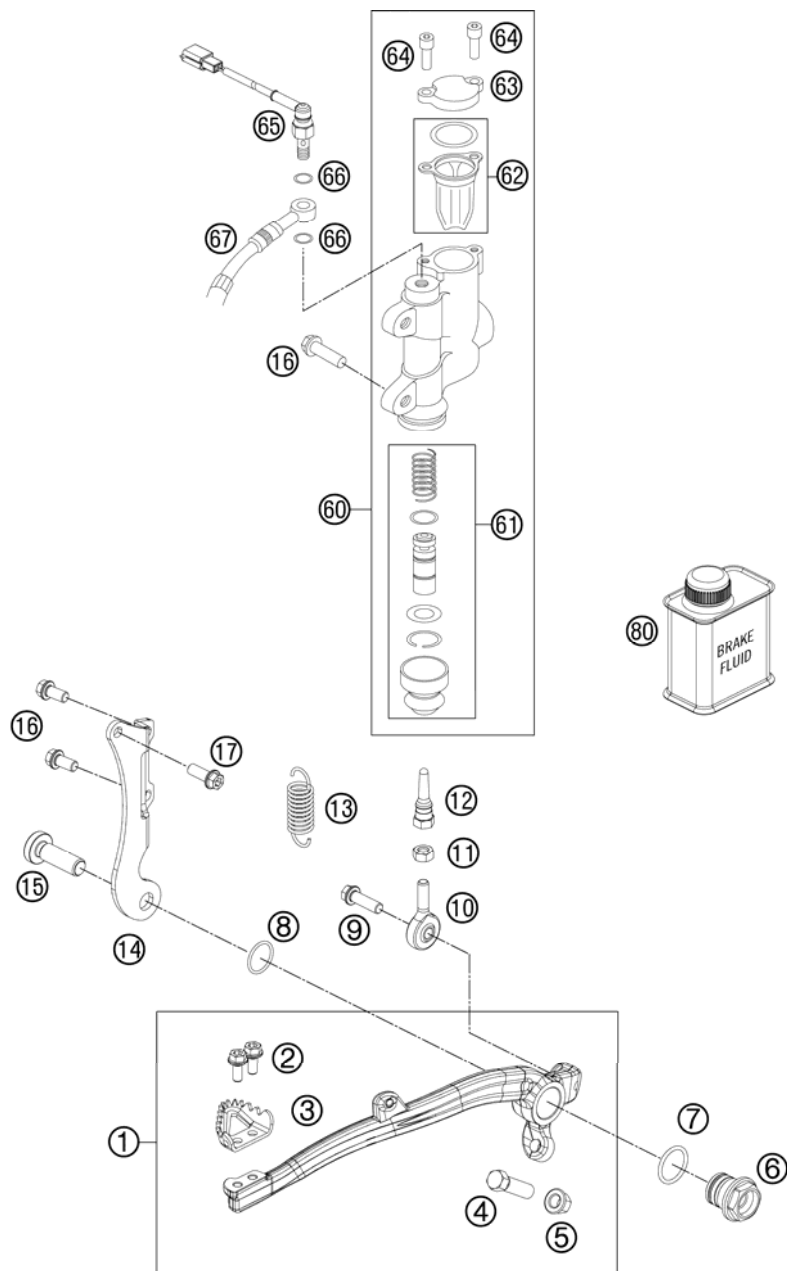


FIG	PART NUMBER	DESCRIPTION	QTY
1	72013050044	FOOT BRAKE LEVER CPL. 12	1
2	0025050126	HH COLLAR SCREW M5X12 TX30	2
3	54813051000	STEP PLATE FOR BRAKE LEVER	1
4	59001037000	SPECIAL SCREW M8X26 WS=10	1
5	46030045000	COLLAR NUT M8 WS=10	1
6	72013053000	NUT FOOT BRAKE LEVER SW19 '12	1
7	0770180020	O-RING 18,00X2,00 NBR 70	1
8	0770125015	O-RING 12,5X1,5 NBR	1
9	0025060206S	HH COLLAR SCREW M6X20 TX30	1
10	54813055000	SWIVEL HEAD KA6 03	1
11	0934060003	HEXAGON NUT DIN0934-M 6	1
12	46213056000	PUSH ROD	1
13	54603062000	RETURN SPRING FOR BRAKE LEVER	1
14	72013065000	SUP. PLATE BRAKECYL. REAR 12	1
15	0035100309S	AH-COLLAR SCREW M10X30 ISA45	1
16	0025060126	HH COLLAR SCREW M6X12 TX30	4
17	59009062013	SPECIAL SCREW M6X13 WS=8 10.9	1
60	47013060300	FOOT BRAKE CYL.R. CPL. D=12 05	1
61	47013061100	REP. SET PISTON REAR D=12 2004	1
62	47013063000	GASKET CYLINDER COVER REAR 03	1
63	47013062000	CYLINDER COVER REAR 85 SX 03	1
64	0912040103	AH.SCREW DIN0912-M 4X10	2
65	72011051000	BRAKE LIGHT SWITCH REAR	1
66	0770080019	O-RING 8,00X1,00 FORMULA	2
67	72013071000	BRAKE HOSE REAR L=540MM 12	1
80	00062030000	BRAKE FLUID DOT5.1 0,25L	1

127201330 / C127201330

\* NEW PART

X AS REQUIRED

# BRAKE CALIPER FRONT

FREERIDE 350 EU 2012

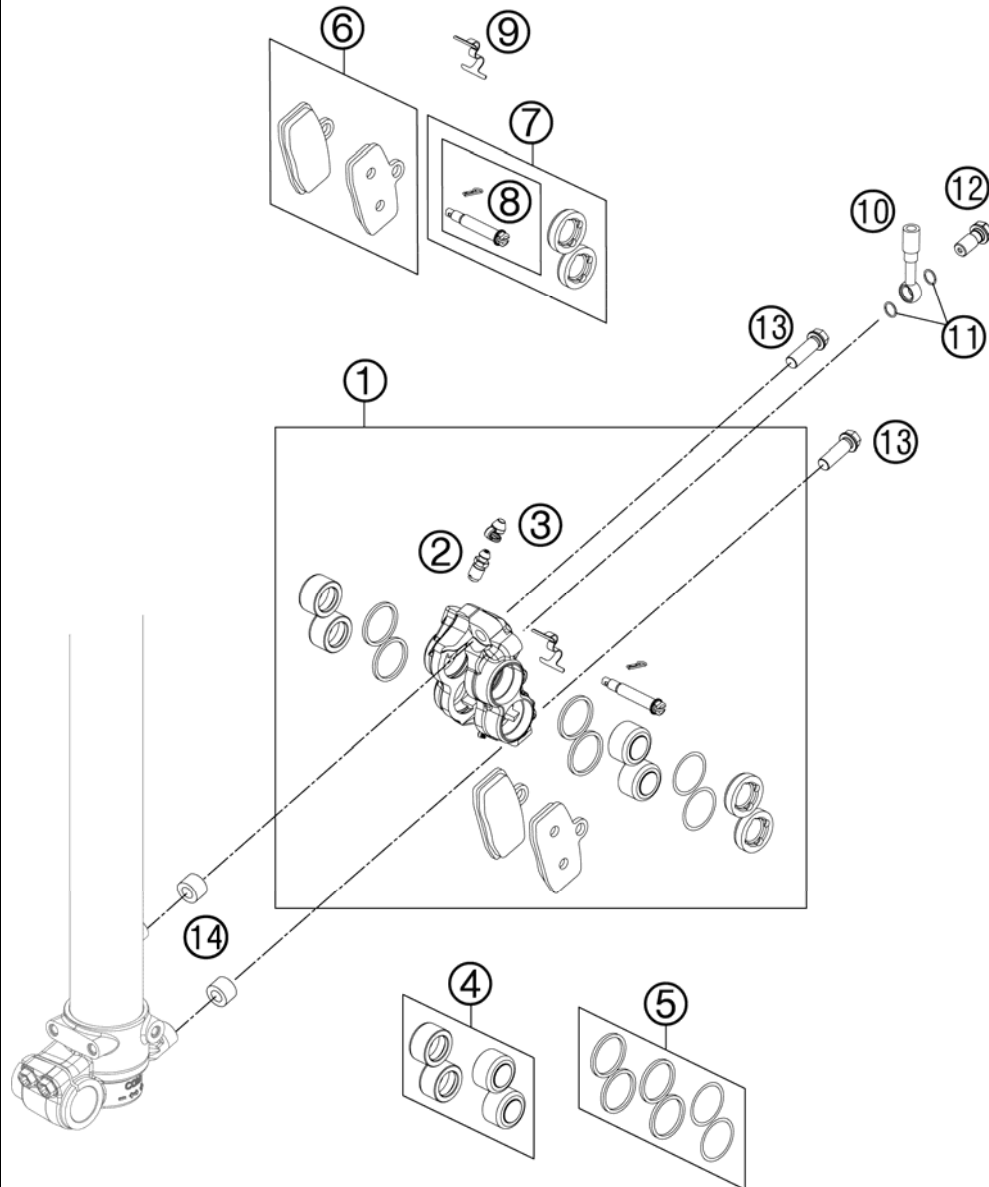


FIG	PART NUMBER	DESCRIPTION	QTY
1	4701301510028	BRAKE CALIPER FRONT CPL. WHITE	1
2	47013020000	BLEEDER SCREW M6	1
3	47013021000	CAP FOR BLEEDER SCREW	1
4	47013019000	REPAIR KIT BRAKEPISTON	1
5	47013022000	REP. KIT SEALS	1
6	47013030000	BRAKE PAD SET FRONT 2012	x
7	70013030000	BRAKE PADS FRONT 12	1
8	47013023000	PISTONCOVER 85SX 2012	1
9	47013030050	PIN BRAKE PAD CPL. 2012	1
10	47013018100	RETAINING SPRING FRONT 85SX	1
11	70013010000	BRAKE HOSE FRONT L=1165MM	1
12	0770080019	O-RING 8,00X1,00 FORMULA	2
13	47013025000	HOLLOW SCREW BRAKE CYLINDER 03	1
14	0025080456S	HH COLLAR SCREW M8X45 ISA40	2
	70013098150	DISTANCE SLEEVE 8,1X15X20,5MM	2

127201360 / C127201360

\* NEW PART

X AS REQUIRED

# BRAKE CALIPER REAR

FREERIDE 350 EU 2012

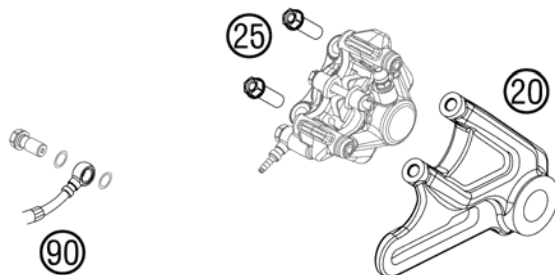
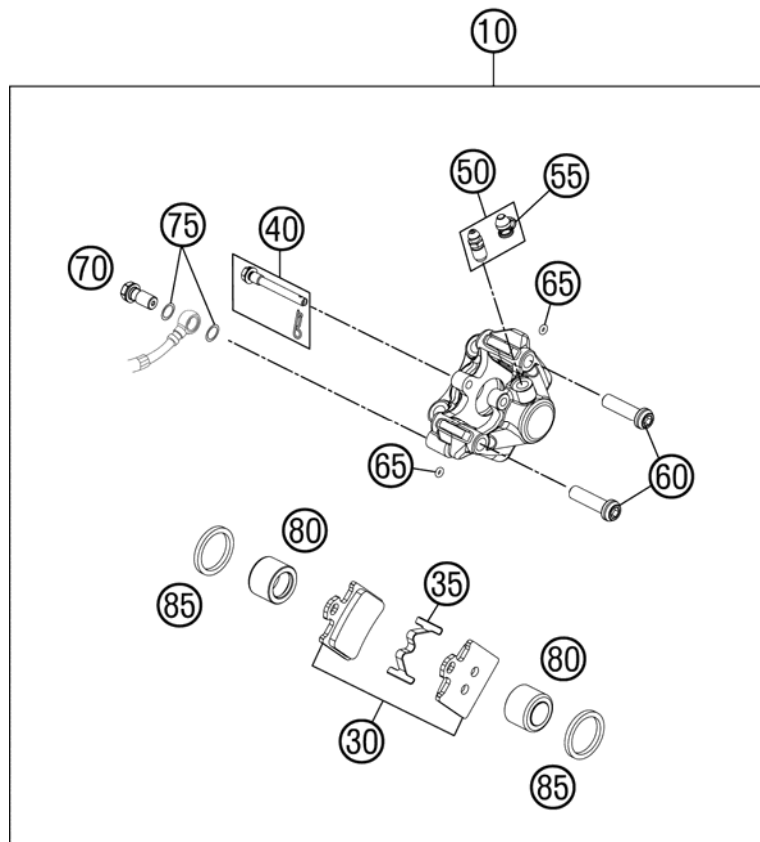


FIG	PART NUMBER	DESCRIPTION	QTY
10	4701308030028	BRAKE CALIPER REAR CPL. WHITE	1
20	47013075000	BREAK-CALIPER SUPPORT CPL.	1
25	0025080256	HH COLLAR SCREW M8X25 TX40	2
30	47013090300	BRAKE PADS REAR 85 SX 2011	1
35	47013018000	RETAINING SPRING 85 SX 2011	1
40	47013092000	SPECIAL SCREW WITH SPLINT PIN	1
50	47013085000	BLEEDER SCREW M8X1	1
55	47013021000	CAP FOR BLEEDER SCREW	1
60	47013084000	SPECIAL SCREW CALIPER M8X30	2
65	07700257178	O-RING 2,57X1,78	2
70	47013025000	HOLLOW SCREW BRAKE CYLINDER 03	1
75	0770080019	O-RING 8,00X1,00 FORMULA	2
80	47013083200	REPAIR KIT BRAKEPISTON 2011	1
85	47013081100	REP. KIT SEAL. RINGS REAR 2011	2
90	72013071000	BRAKE HOSE REAR L=540MM 12	1

127201390 / C127201390

\* NEW PART

X AS REQUIRED

# LIGHTING SYSTEM

FREERIDE 350 EU 2012

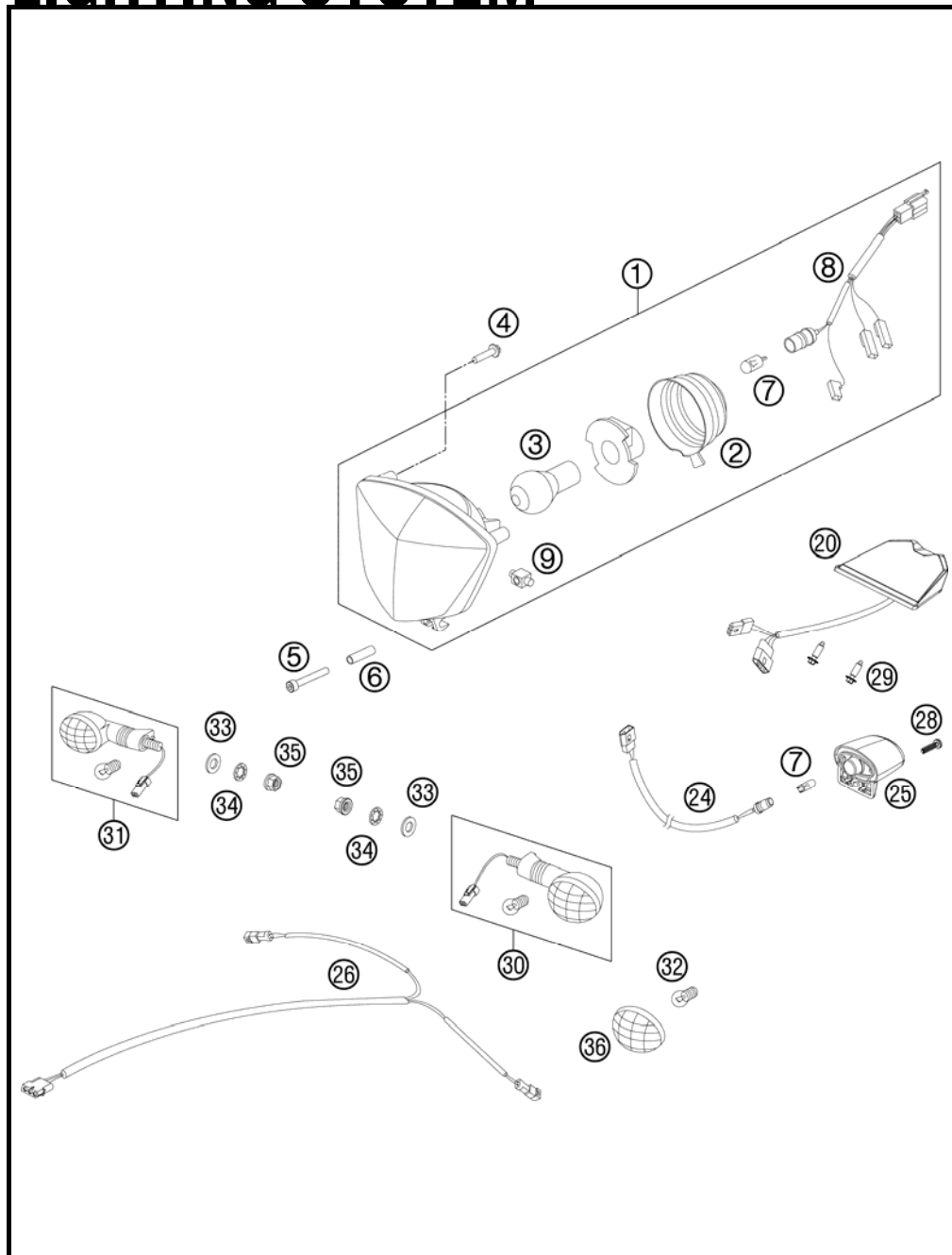


FIG	PART NUMBER	DESCRIPTION	QTY
1	81214001000	HEAD LIGHT	1
2	54814001050	RUBBER CAP FOR HEAD LIGHT 05	1
3	44111038000	BILUX-BULB 12V 35/35W BA20D	1
4	0081050181	SCREW FOR PLASTIC K50X18 T20	2
5	0912050503	AH SCREW DIN912-M5X50 10.9	1
6	72008008000	DIST. HOSE F. HEAD LIGHT MASK	1
7	49011435100	BULB 12V 5W (W2,1X9,5D) PHIL.	2
8	54811001050	CABLE FOR HEAD LIGHT 2005	1
9	81208003010	INSERT FOR HEAD LIGHT SUPPORT	1
20	76514040000	REAR LIGHT	1
24	76511078000	WIRING HARN. LIC. PLATE ILLUM.	1
25	75014047000	LICENSE PLATE ILLUMINATION 07	1
26	77411081000	REAR FLASHER WIR. HARNESS 12	1
28	0081250181	SCREW FOR PLASTIC 50X18 T20	1
29	0017060203	EJOT PT SCREW K60X20 WS=6	2
30	54814025200	FLASHER CPL. FR.L/S RE.R/S 09	2
31	54814026200	FLASHER CPL. FR.R/S RE.L/S 09	2
32	44111015100	BULB 12V 10W (BA15S)	4
33	0125100003	WASHER DIN0125-A10,5	4
34	0797100003	LOCK WASHER DIN6797-J10,5 ZI	4
35	58414030000	HH COLLAR NUT M10X1,25 WS=13	4
36	54814028000	FLASHER LENS L/S R/S 05	4

127201410 / C127201410

\* NEW PART

X AS REQUIRED

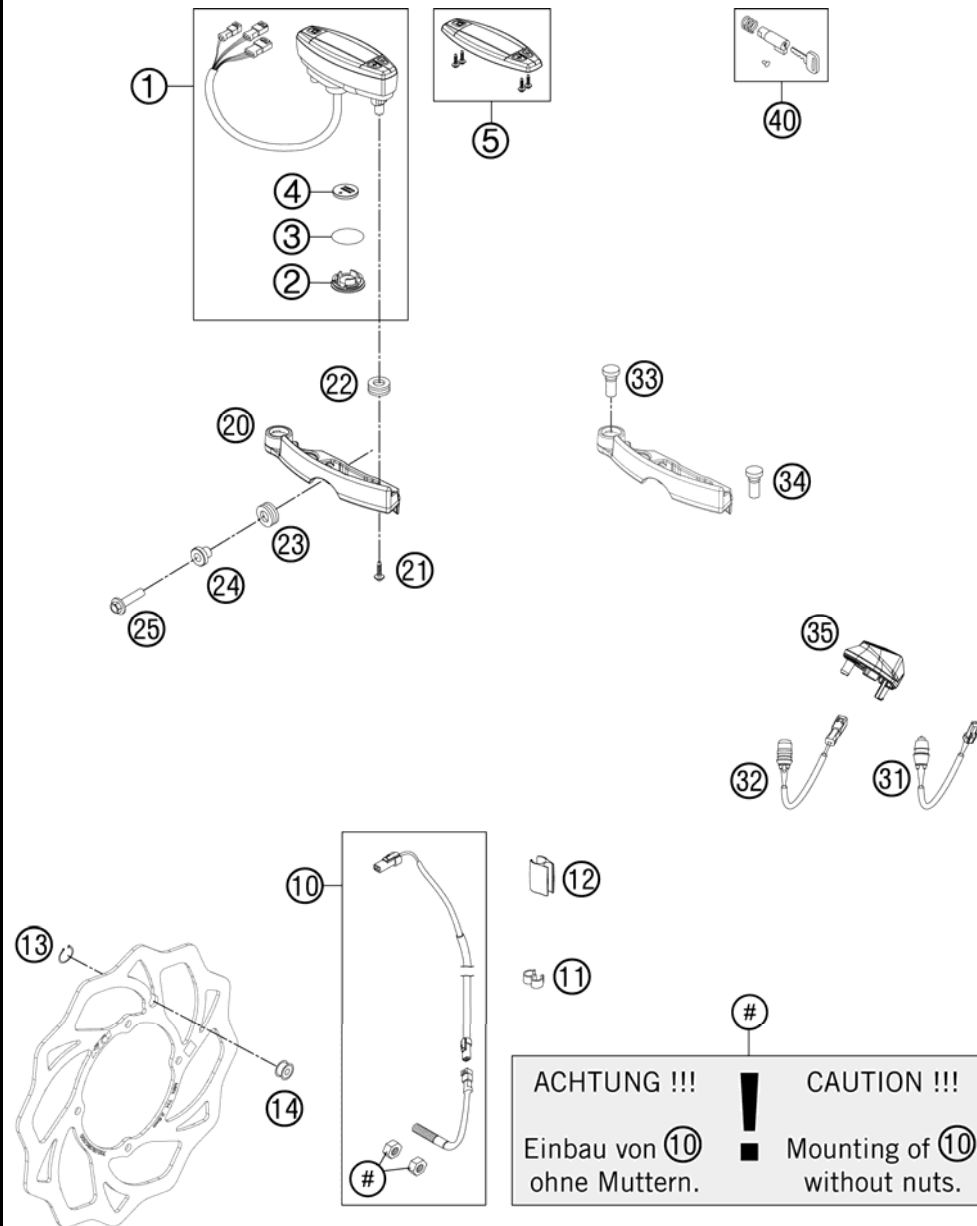


FIG	PART NUMBER	DESCRIPTION	QTY
1	54814069000	SPEEDOMETER KM/H F. 21" 2005	1
2	54814069010	BATTERY COVER F. SPEEDOM. 2005	1
3	0770260014	O-RING 26,00X1,40	1
4	58314068000	BATTERY F. SPEEDOM. M.A.E. 02	1
5	54814069020	SPEEDOMETER TOP PART 05	1
10	54814068100	CABLE FOR DIGITAL SPEEDOM. 06	1
11	60111094000	CLAMP 5/7 MM 06	1
12	54813026000	CABLE SUPPORT 10/6MM 06	2
13	0471009104	CIRCLIP DIN0471- 9X1 INOX	1
14	54814069050	MAGNET FOR DIGITAL SPEEDOM. 03	1
20	54814060100	SPEEDOMETER BRACKET XC-W 08	1
21	0081645121	EJOT DELTA PT SCREW 45X12-Z	2
22	58214069051	RUBBER GROMMET 16X10,8X3 02	2
23	31008060000	RUBBER SLEEVE D=8MM OPEN	2
24	59030060050	BUSHING F. SPROCKET COVER RAC.	2
25	0024060206	HH COLLAR SCREW M6X20 TX30	2
31	72014083000	CABLE INDICATOR LIGHT LED	1
32	72014096000	CABLE INDICATOR LIGHT	1
33	58011024300	FLASHER INDICAT.LIGHT GREEN'98	1
34	58011021300	H.BEAM INDICATOR LIGHT BLUE'98	1
35	72014098000	HOLDER INDICATOR LIGHT	1
40	78003035000	STEERING HEAD LOCK 08	1

127201430 / C127201430

\* NEW PART

X AS REQUIRED

①  
OHNE ABBILDUNG  
WITHOUT ILLUSTRATION

①  
TECHNISCHE DOKUMENTATION  
TECHNICAL DOCUMENTATION  
DOCUMENTACION TECNICA  
DOCUMENTATION TECHNIQUE  
NOTE TECNICHE

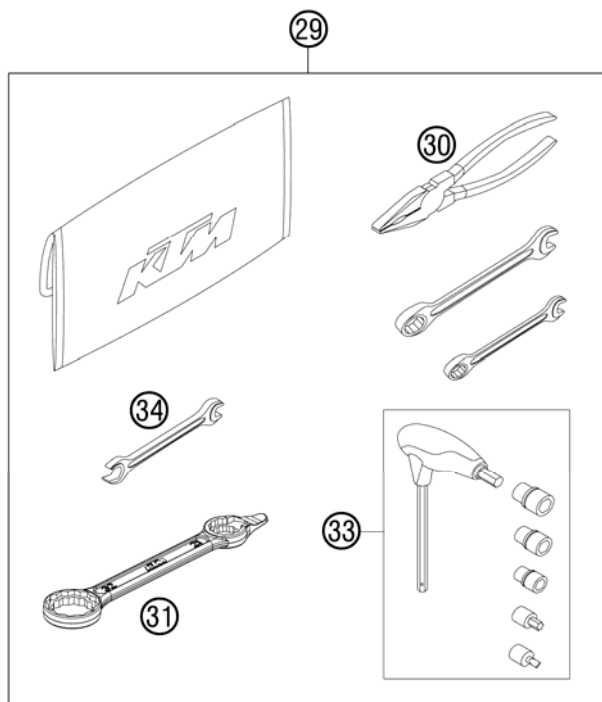


FIG	PART NUMBER	DESCRIPTION	QTY
0	00063004202	PRINT LABEL 60X51 MM	2
0	0019080266S	COUNTER-SUNK SCREW ISA45 M8X26	1
0	0025050126	HH COLLAR SCREW M5X12 TX30	2
0	312305	DOCUMENTS BAG 2006	1
0	312313	KTM BALLPOINT PEN ORANGE	1
0	3210039	* CUSTOMER WELCOME LETTER	1
0	3212361DE/GB	PP OFFROAD FOLDER 2012	1
0	3212365GB	POWER WEAR TEASER 2012	1
0	58012040000	REAR MIRROR L/S	1
0	58012040150	CLAMP FOR MIRROR '94	2
0	58012140000	REAR MIRROR R/S	1
0	58411098100	CONTACT WASHER M6 VSV-K6	2
0	58412080000	REFLECTOR RED LC4 '98	1
0	58511053000	BATTERY 12V 4AH YTX5L-BS	1
0	70008016050	NUMBER PLATE CARRIER BOTTOM	1
0	72003090000	ENGINE GUARD '13	1
0	72006021000	WATERPROTECTOR F. AIRFILTER	1
0	72012099000	ACCESSORIES FLASHER	1
0	77202002144	BAR PAD CPL.	1
0	77229072000	SPARK PLUG WRENCH	1
0	78003040033	FOOTREST L/S + R/S CPL. 09	1
0	81212016100	WASH CAP SET	1
1	3211720EN	OWN. MANUAL 350 FREERIDE 2012	1
29	54829099100	TOOL KIT 2012	1
30	53012028200	GRIP ORANGE B&F	1
31	50329080100	WRENCH SW=17/21/27/32 B&F	1
33	60029070300	T-WRENCH WS=6/8/10/TX45/SK4X1	1
34	50329072000	SPOKE-SPANNER WS 7/10	1

125482000 / C127202000

\* NEW PART

X AS REQUIRED



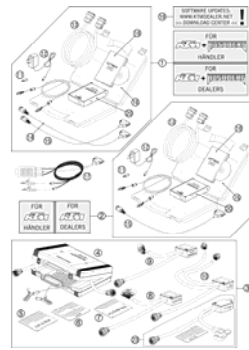
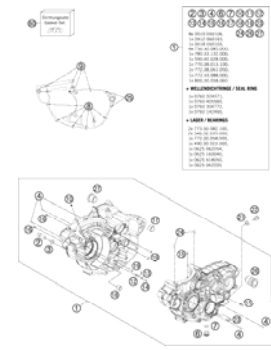
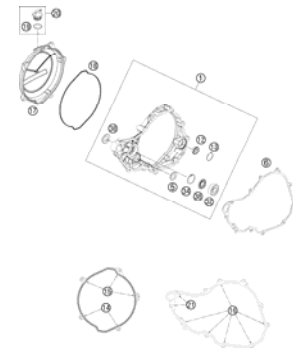
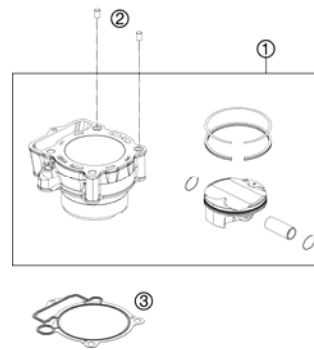
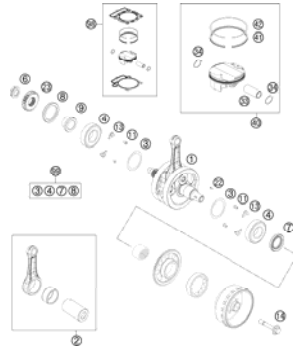
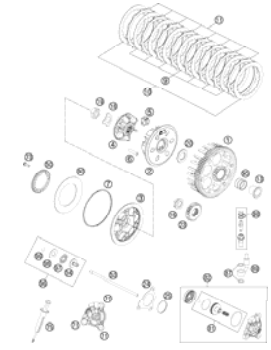
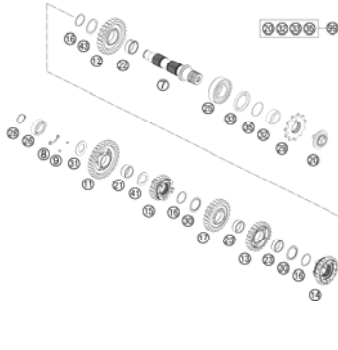
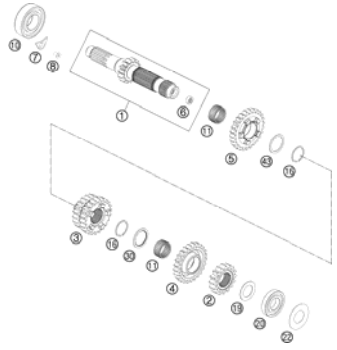
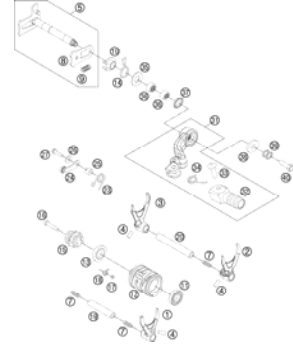
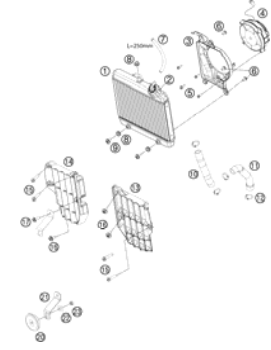
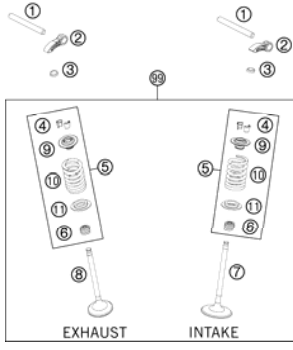
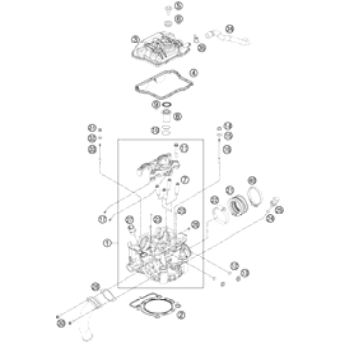
# 350 FREERIDE 2012

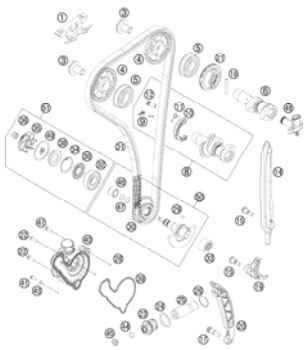
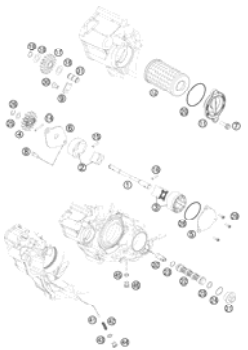
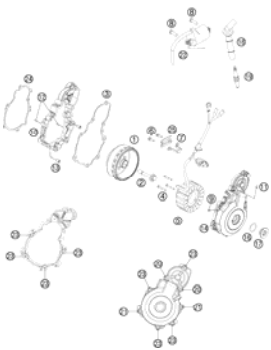
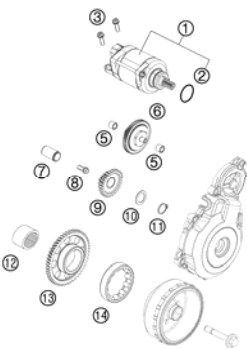
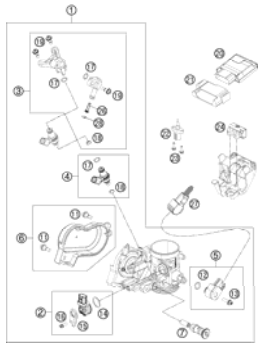
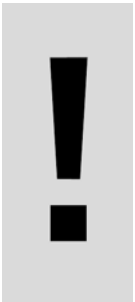
SPARE PARTS MANUAL: ENGINE

ART.NO.: 3CM089370LEN

ENGLISH



<p><b>DIAGNOSTIC TOOL</b></p>  <p>3</p>	<p><b>ENGINE CASE</b></p>  <p>4</p>	<p><b>CLUTCH COVER</b></p>  <p>5</p>	<p><b>CYLINDER</b></p>  <p>6</p>
<p><b>CRANKSHAFT, PISTON</b></p>  <p>7</p>	<p><b>CLUTCH</b></p>  <p>8</p>	<p><b>TRANSMISSION II - COUNTERSHAFT</b></p>  <p>9</p>	<p><b>TRANSMISSION I - MAIN SHAFT</b></p>  <p>10</p>
<p><b>SHIFTING MECHANISM</b></p>  <p>11</p>	<p><b>COOLING SYSTEM</b></p>  <p>12</p>	<p><b>VALVE DRIVE</b></p>  <p>13</p>	<p><b>CYLINDER HEAD</b></p>  <p>14</p>

<p><b>TIMING DRIVE</b></p>  <p><b>15</b></p>	<p><b>LUBRICATING SYSTEM</b></p>  <p><b>17</b></p>	<p><b>IGNITION SYSTEM</b></p>  <p><b>18</b></p>	<p><b>ELECTRIC STARTER</b></p>  <p><b>19</b></p>
<p><b>THROTTLE BODY</b></p>  <p><b>20</b></p>			
		 <p>All information contained is without obligation. KTM-Sportmotorcycle AG particularly reserves the right to modify any equipment, technical specifications, prices, colors, shapes, materials, services, service work, constructions, equipment and the like so as to adapt them to local conditions or to cancel any of the above items, all without previous announcement and without giving reasons. KTM may stop manufacturing certain models without previous notice. KTM shall not be held liable for any deviations of availability and/or ability to deliver, illustrations, descriptions, printing and/or other errors. The illustrated models partly contain extra equipment, which is not applied to standard models. © by KTM-SPORTMOTORCYCLE AG, Mattighofen AUSTRIA; All rights reserved; Reprint, also in extracts, with written allowance of KTM-SPORTMOTORCYCLE AG, Mattighofen only.</p>	

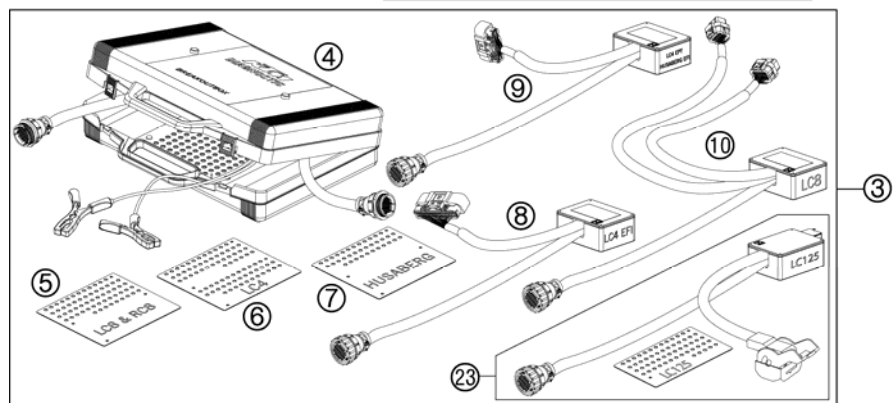
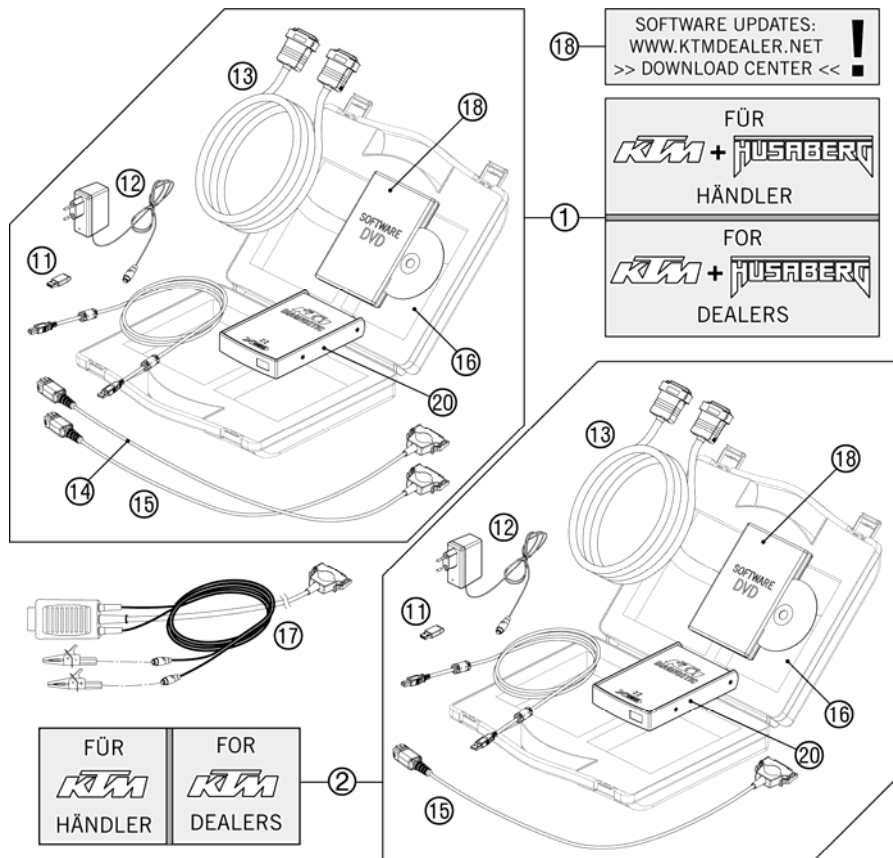


FIG	PART NUMBER	DESCRIPTION	QTY
1	00029096200	DIAGNOSTIC TOOL HUSABERG/KTM	1
2	00029096100	DIAGNOSTIC TOOL KTM	1
3	00029095000	BREAKOUT-BOX KPL.	1
4	00029095001	BREAKOUT-BOX	1
5	00029095005	TEMPLATE LC8 / RC8	1
6	00029095006	TEMPLATE LC4	1
7	00029095007	TEMPLATE HUSABERG	1
8	00029095003	ADAPTER LC4 EFI	1
9	00029095004	ADAPTER LC4 EPT/HUSABERG EFI	1
10	00029095002	ADAPTER LC8	1
11	00029096006	DIAGNOSTIC HASP DONGLE XC1	2
12	00029096003	POWERSUPPLY 220V/12V FOR AVL	2
13	00029096002	EXTENSION CABLE	2
14	00029096001	DIAGNOSTIC CABLE HUSABERG	1
15	00029096009	DIAGNOSTIC CABLE KTM	2
16	00029096004	CASE FOR DIAGNOSTIC-TOOL	1
17	00029096010	DIAGN. CABLE EXT. POWER SUPPLY	1
18	00029096007	DVD KTM XC-1 UPDATE V2.0	2
20	00029096011	FRAME XC_1 SCANBOX KTM	1
23	00029095009	ADAPTER LC125	1

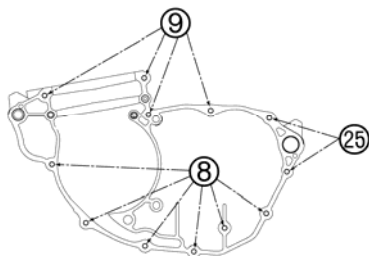
100002921 / C100002921

\* NEW PART

X AS REQUIRED



60



② ③ ④ ⑥ ⑦ ⑩ ⑪ ⑫

⑬ ⑭ ⑮ ⑯ ⑰ ⑱ ⑲ ⑳ ㉓

㉔ ㉖ ㉗

①

8x 0019 050106,  
1x 0912 060163,  
1x 0018 050103,  
6x 750.30.085.000,  
1x 780.33.132.000,  
1x 590.40.028.000,  
1x 770.38.013.100,  
1x 772.38.061.050,  
1x 772.33.088.000,  
1x 800.30.058.060

**+ WELLENDICHTRINGE / SEAL RING**

1x 0760 324571,  
1x 0760 405560,  
1x 0760 304772,  
1x 0760 142460,

**+ LAGER / BEARINGS**

2x 773.30.082.100,  
2x 546.32.095.000,  
1x 772.30.058.000,  
1x 490.30.023.000,  
1x 0625 062054,  
1x 0625 160040,  
1x 0625 618050,  
1x 0625 062035

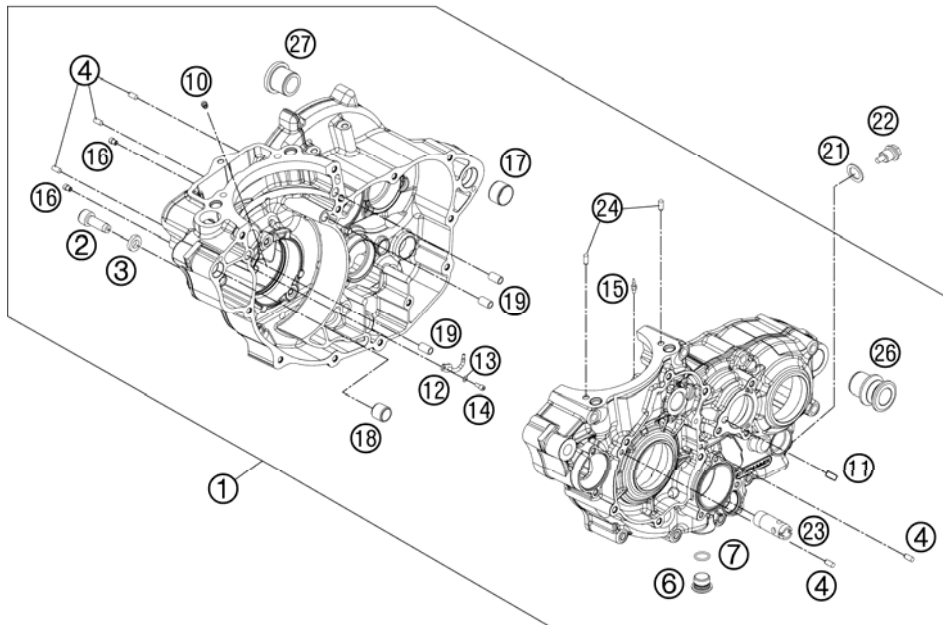


FIG	PART NUMBER	DESCRIPTION	QTY
1	72030100044	ENGINE CASE CPL.	1
2	58030080000	LOCATING SCREW M8 L=23	1
3	58030081000	CU-SEAL RING 8 X 14 X 3	1
4	0402040980	NEEDLE ROL.DIN5402 NRB 4X9,8	5
6	78036081000	HOLDING BOLT M14X1,5	1
7	0770110015	O-RING 1,5x11 SILICON	1
8	0025060556	HH COLLAR SCREW M6X55 TX30	6
9	0025060656	HH COLLAR SCREW M6X65 TX30	4
10	80030058060	OIL JET "60" M4	1
11	77230066000	THROTTLE M5X10X0,5	1
12	81230064050	OIL JET CURVED SIZE 50	1
13	0770035020	O-RING 3,5x2,00 NBR	1
14	0912040103	AH.SCREW DIN0912-M 4X10	1
15	60030063050	OIL JET 50 05	1
16	59030058000	JET 100 BING(44-031/180) M4	2
17	59030024000	DOWEL 17 X 19 X 12	1
18	54630027000	DOWEL BUSHING 13,8X11X12	1
19	59030023000	DOWEL 6X8X11,5	3
21	58038022000	CU-SEAL RING DIN7603-12X18X1,5	1
22	58030021000	OILDRAIN PLUG W.MAG. M 12X1,5	1
23	77038022000	OIL INTAKEPIPE	1
24	0402050080	CYLINDER ROLLER ZRO 5X8	2
25	0025060856	HH COLLAR SCREW M6X85 TX30	2
26	72030010000	CASE BUSH L/S	1
27	72030011000	CASE BUSH R/S	1
60	77230099000	GASKET SET 350 SX-F	1

127203010 / C127203010

\* NEW PART

X AS REQUIRED

# CLUTCH COVER

350 FREERIDE 2012

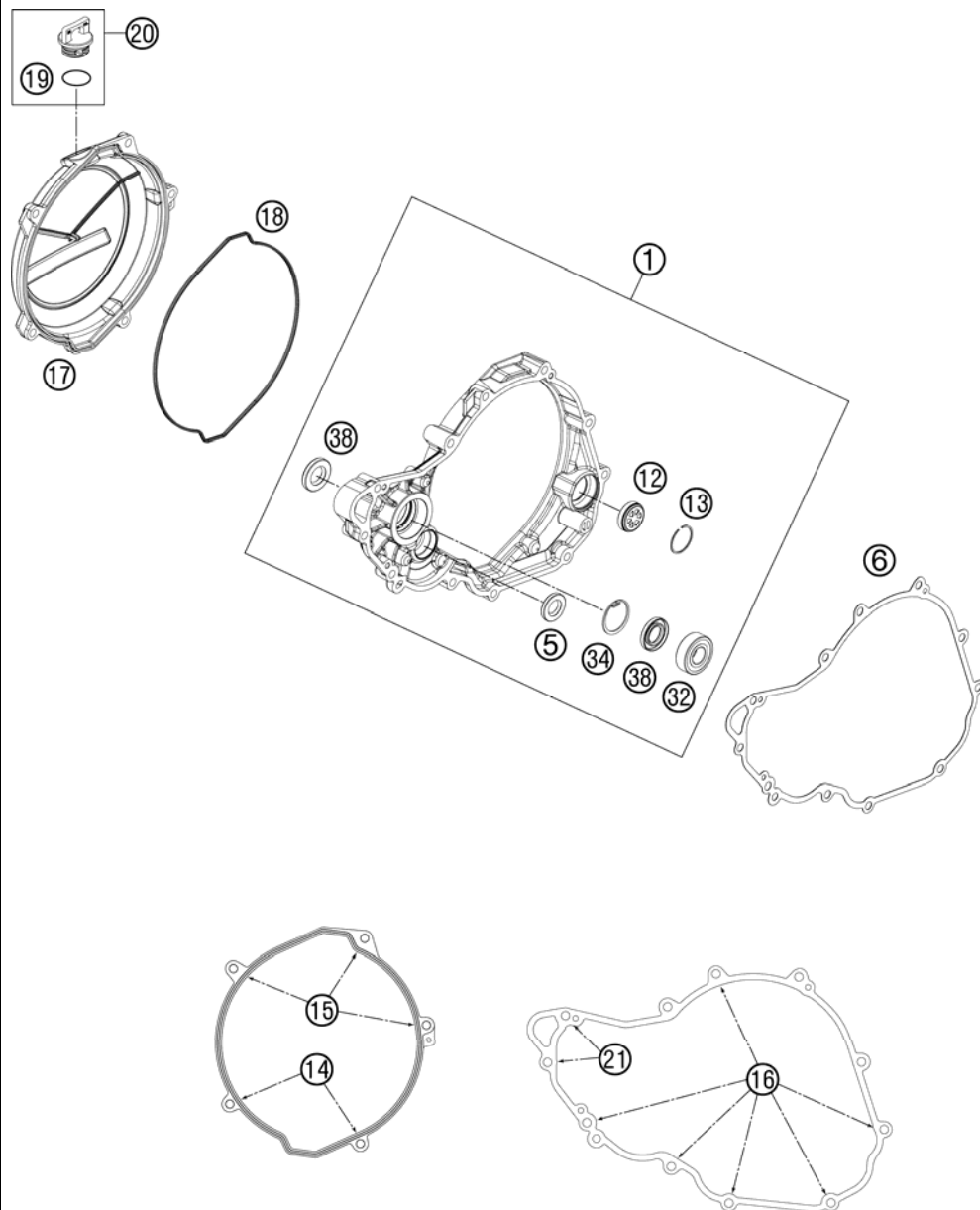


FIG	PART NUMBER	DESCRIPTION	QTY
1	77730001044	CLUTCH COVER CPL.	1
5	0760142460	SHAFT SEAL RING 14X24X6 B	1
6	77730025000	CLUTCH COVER GASKET	1
12	59030019100	OIL LEVEL GLASS	1
13	61030019050	CIRCLIP OIL LEVEL GLASS 03	1
14	0025060206	HH COLLAR SCREW M6X20 TX30	2
15	0025060456	HH COLLAR SCREW M6X45 TX30	3
16	0025060256	HH COLLAR SCREW M6X25 TX30	6
17	7723002600015	CLUTCH COVER OUTSIDE	1
18	77230027000	GASKET FOR OUTER CLUTCH COVER	1
19	0770191015	O-RING 19,00X3,00 NBR	1
20	58030120000	OIL FILLER CAP M24x3 WITH O-R	1
21	0025060406	HH COLLAR SCREW M6X40 TX30	2
32	0625062022	BALL BEARING 6202 C0 2	1
34	0472300120	CIRCLIP 30X1,2	1
38	07601530451	SHAFT SEAL RING 15X30X4.5 BAUD	2

127203020 / C127203020

\* NEW PART

X AS REQUIRED

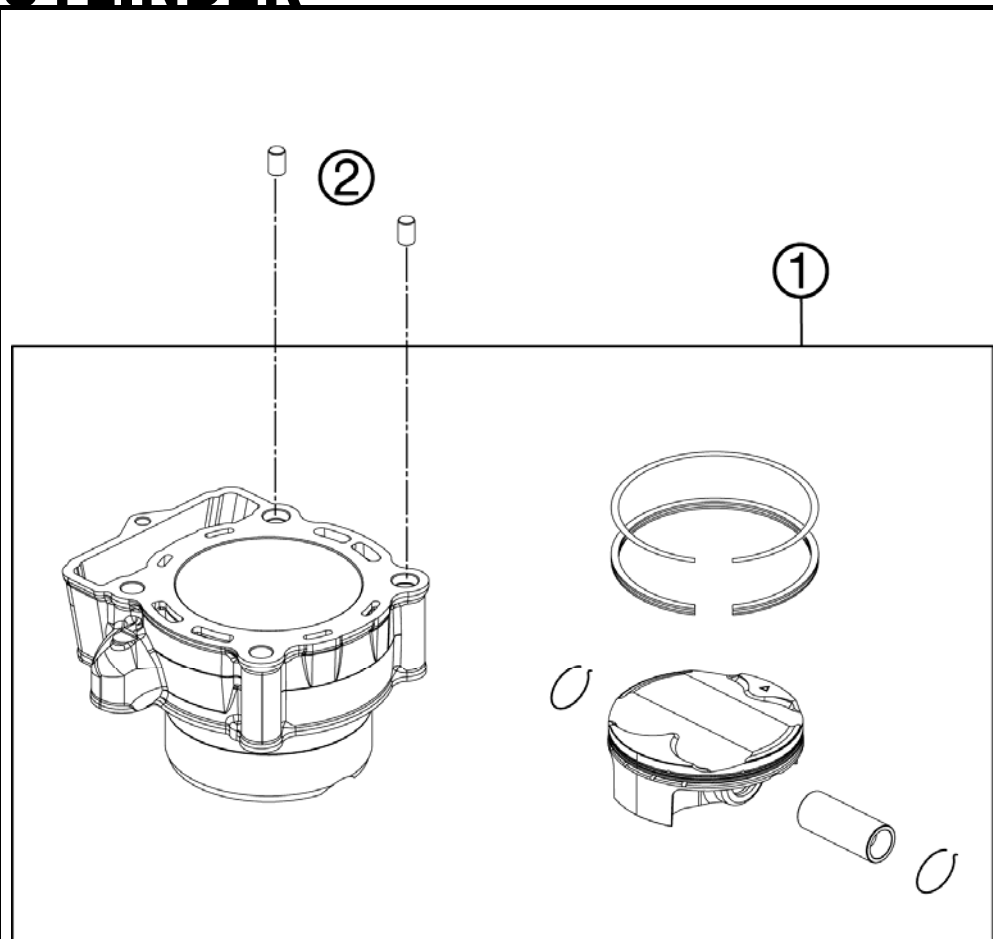


FIG	PART NUMBER	DESCRIPTION	QTY
1	77530038000	CYLINDER + PISTON CPL.	1
2	58530014000	DOWEL 10,2X12,5X10	2001
3	77230035000	CYLINDER BASE GASKET	1

117723040 / C127753040

\* NEW PART

X AS REQUIRED

# CRANKSHAFT, PISTON

350 FREERIDE 2012

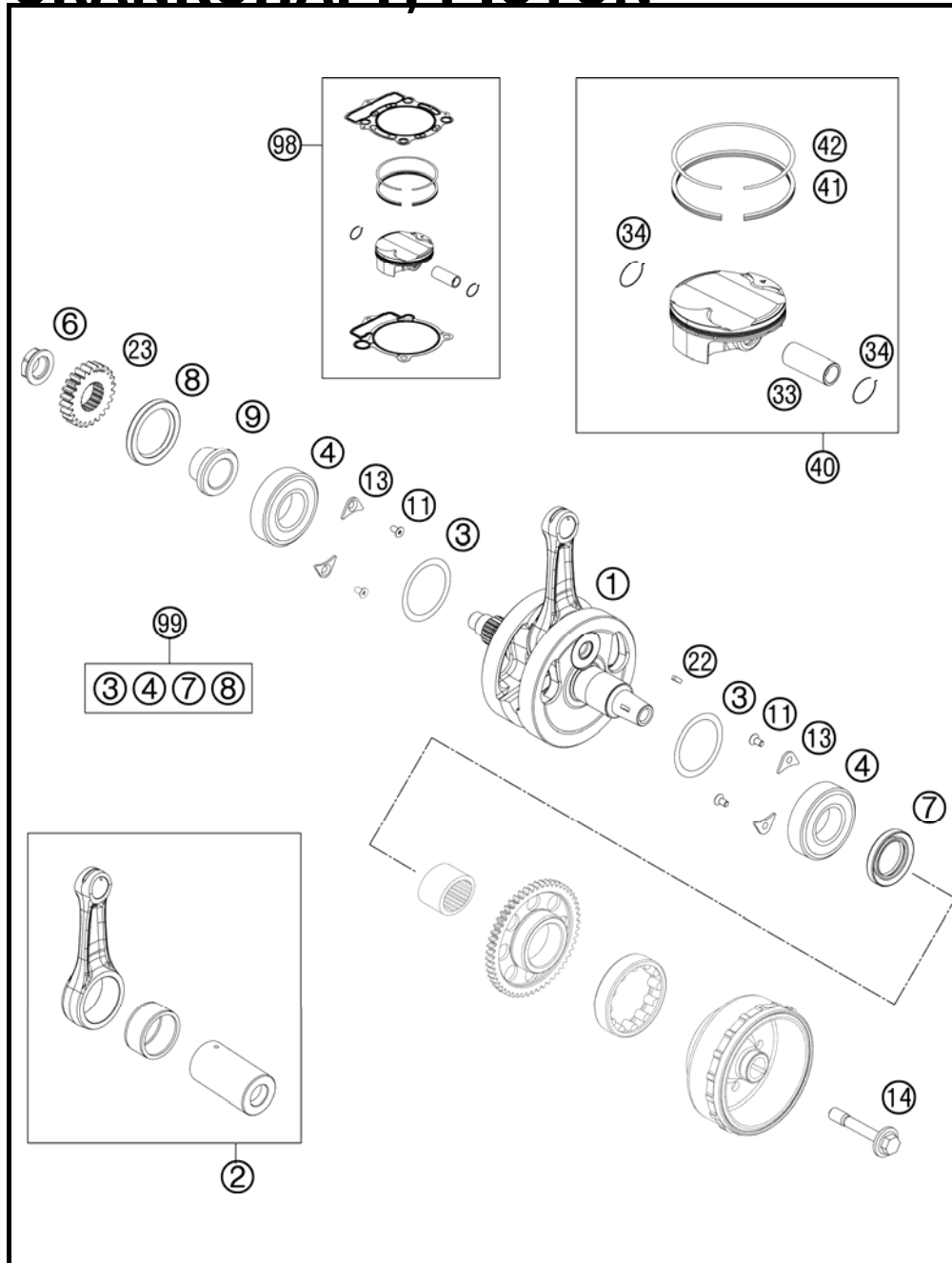


FIG	PART NUMBER	DESCRIPTION	QTY
1	77530018000	CRANKSHAFT CPL.	1
2	77230115044	CONNECTING ROD REPAIR SET	1
3	56030081000	THRUST WASHER 30,5X45X0,10	x
3	56030081100	THRUST WASHER 30,7X47X0,15	x
3	56030081200	THRUST WASHER 30,5X45X0,30	x
4	77330082100	CYL. ROLLER BEARING NJ206 ECP	2
6	77230029000	NUT PRIMARY WHEEL	1
7	0760304772	SH.SEAL RING 30X47X7 BSL VITON	1
8	0760405560	SHAFT SEAL RING A40x55x6 VITON	1
9	77232022000	SPACER BUSHING PRIMARY GEAR	1
11	0019050106	INT. TORX FLAT HEAD M5X10 10.9	4
13	75030085000	RETAINING PLATE F. CS BEARING	4
14	77339010100	FLYWHEEL SCREW	1
22	0888030037	WOODRUFF KEY DIN6888-3X3,7	1
23	77232023024	PRIMARY GEAR 24T.	1
33	77230133000	PISTON PIN 350	1
34	77230174000	CIRCLIP	2
40	77530107100 I	PISTON I CPL. 350	x
40	77530107100 II	PISTON II CPL. 350	x
41	77230032100	SCRAPER RING 350	1
42	77230030000	COMPRESSIONRING 350	1
98	00050000200	PISTON KIT GR.I 350 EXC-F 12	x
98	00050000201	PISTON KIT GR.II 350 EXC-F 12	x
99	00050002303	CRANKSHAFT REP. KIT 350SX-F	x

127753060 / C127753060

\* NEW PART

X AS REQUIRED



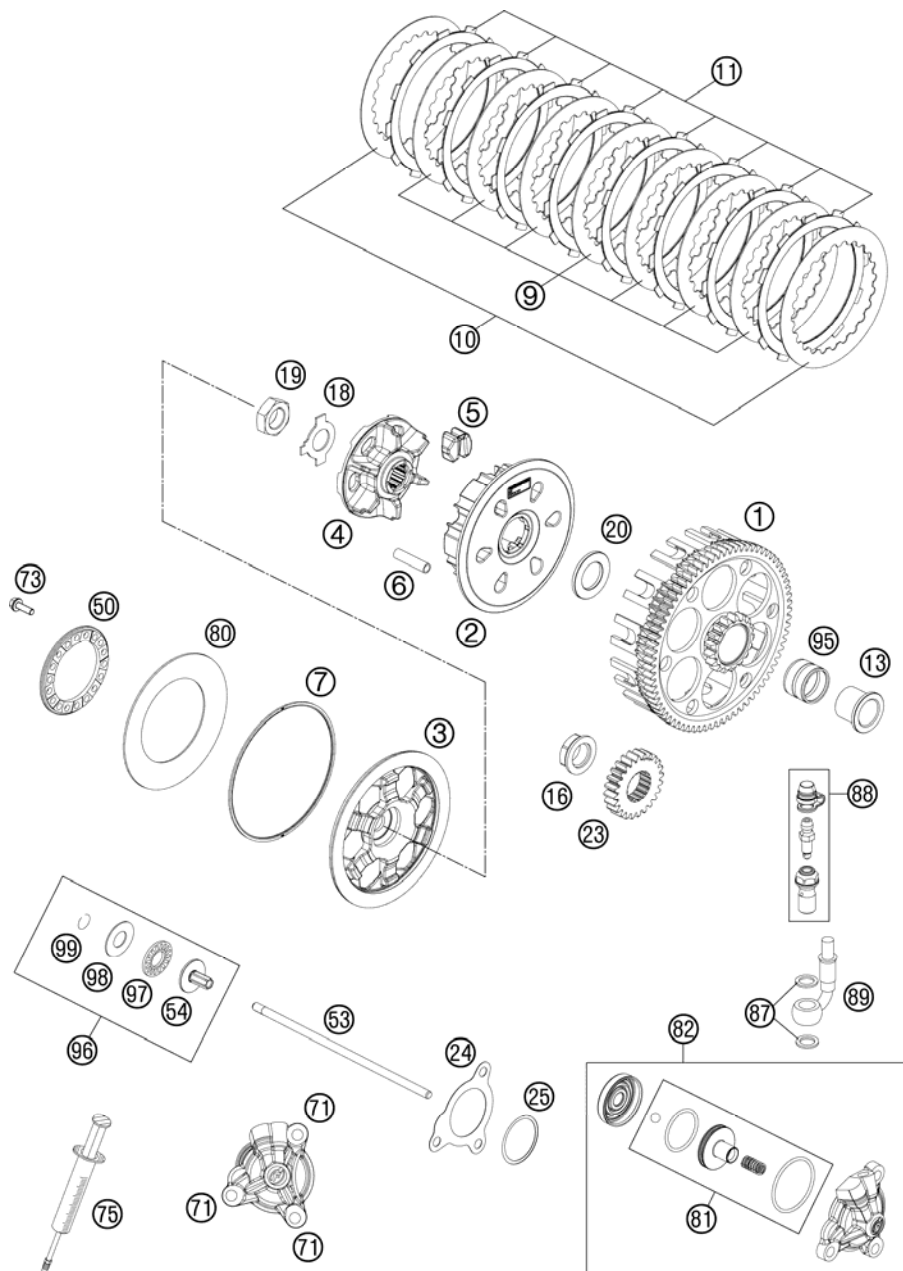


FIG	PART NUMBER	DESCRIPTION	QTY
1	77232001073	OUTER CLUTCH CPL.	1
2	78132002008	INNER CLUTCH HUB	1
3	78132003000	PRESSURE PLATE	1
4	78132002111	HUB	1
5	78132025100	DAMPING RUBBER	6
6	78132004000	SLEEVE 7,5X33.4	6
7	78132013000	WASHER 112X118X1.5	1
9	59032010200	INTERMEDIATE DISC 1,4MM 2002	7
10	59032010100	INTERMEDIATE DISC 1MM 2002	2
11	59032011100	LINING DISC 2MM 04	8
13	77232015000	INNER RING	1
16	77230029000	NUT PRIMARY WHEEL	1
18	56532018000	LOCK WASHER	1
19	0936181505	HEXAGON NUT DIN0936-M18X1,5 R.	1
20	77232009000	WASHER 21,8 X 37 X 5,1	1
23	77232023024	PRIMARY GEAR 24T.	1
24	77232062000	GASKET F. OUTPUT CYLINDER	1
25	0770300015	O-RING 30,00X1,50 NBR 70	1
50	72032006000	SPRING RING	1
53	77232054000	PUSH ROD	1
54	78032057000	PRESSURE PIECE	1
71	0025060166	HH COLLAR SCREW M6X16 TX30	3
73	0025050166	HH COLLAR SCREW M5X16 TX30	6
75	50329050000	VENT INJEKTION HYDR. CLUTCH	1
80	78132005000	BELLEVILLE SPRING 71X115X1,5 I	1
81	72032066000	PISTON CPL.	1
82	72032061044	OUTPUT CYLINDER CPL.	1
87	42013226000	CU-SEAL RING DIN7603-10X16X1	2
88	62513020000	BLEEDER SCREW CPL. 05	1
89	72032063000	CLUTCH PIPE	1
95	56532095000	NEEDLE BEARING K26X30X22ZW.KSE	1
96	78032057044	PRESSURE PIECE CPL. 08	1
97	54637097200	AXIAL NEEDLE BEARING AXK 1226	1
98	54637098200	AXIAL WASHER AS1226 12X26X1	1
99	0993012000	CIRCLIP DIN7993-RW12	1

127203210 / C127203210

\* NEW PART

X AS REQUIRED

# TRANSMISSION II - COUNTERSHAFT

350 FREERIDE 2012

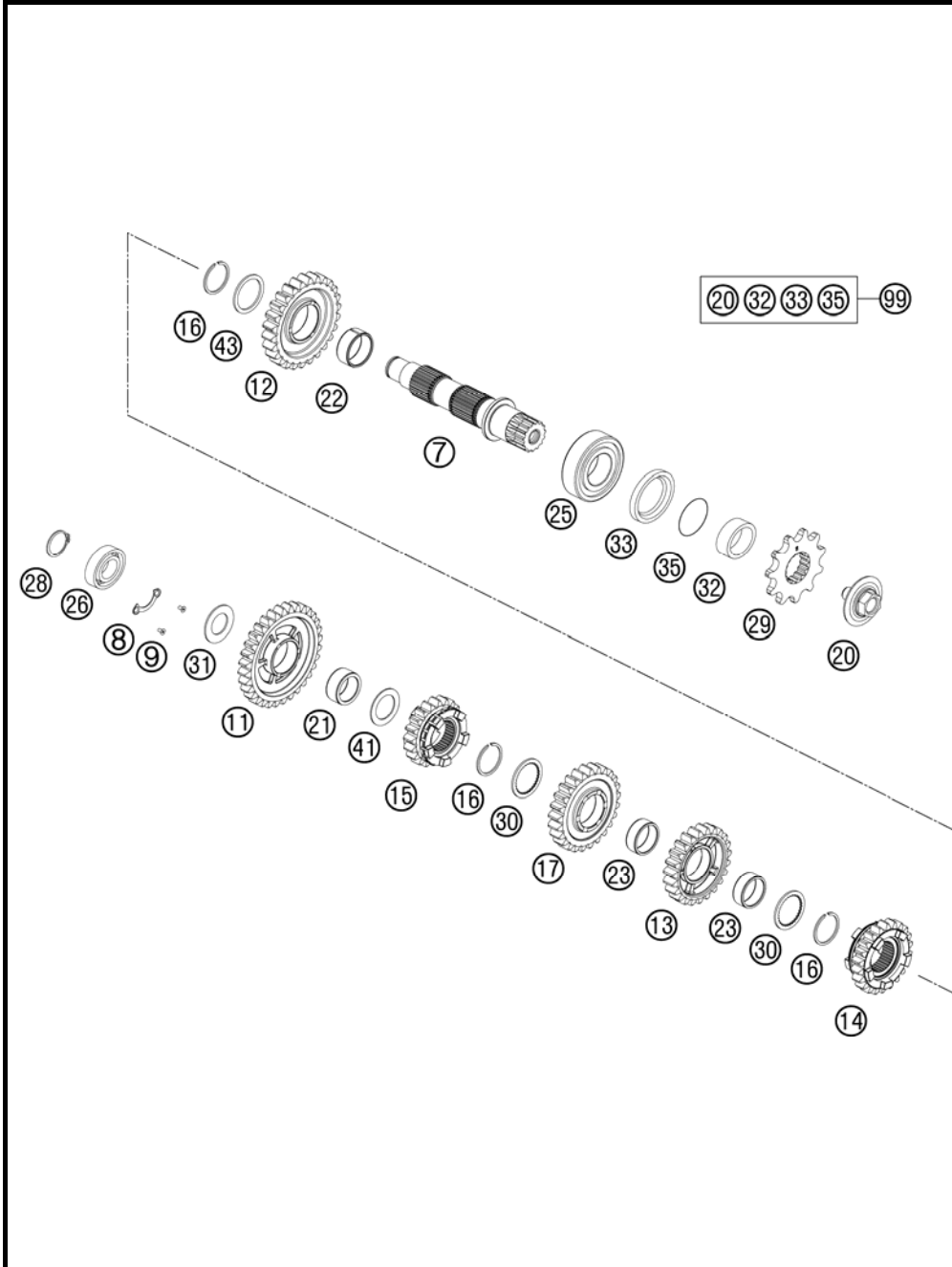


FIG	PART NUMBER	DESCRIPTION	QTY
7	77233110000	COUNTERSHAFT	1
8	78033132000	TAB WASHER BEARING COUNT.SHAFT	1
9	0019050106	INT. TORX FLAT HEAD M5X10 10.9	2
11	54833211000	IDLER GEAR 1. G, Z=32	1
12	54833212000	IDLER GEAR 2. G., Z=26	1
13	54833214000	IDLER GEAR 4.G., Z=23	1
14	54833215000	SLIDING GEAR 5.G., Z=22	1
15	54833216000	SLIDING GEAR 6.G., Z=20	1
16	0417024000	CIRCLIP WS24	3
17	54833213000	IDLER GEAR 3.G., Z= 25	1
20	59033034044	SCREW 10.9+SPRING WASHER	1
21	0405202612	NEEDLE BEARING K 20X26X12	1
22	0405242812	NEEDLE BEAR. K24X28X11,9 DIV.	1
23	0405222611	NEEDLE BEAR.K 22X26X10 DIVIDED	1
25	49030023000	CYL.ROLL BEARING NJ205	1
26	0625062035	BALL BEARING 6203 JR2 C3	1
28	0471170015	CIRCLIP DIN 0471-17X1, 5	1
29	50033029011	SPROCKET	1
30	54833043000	STOP DISC 25X0,8X30X30X7H	2
31	77233020000	STOP DISK 17,2X30X1,3	1
32	54633014100	SPACER BUSHING 12MM	1
33	0760324571	SHAFT SEAL RING 32X45X7 BSLNBR	1
35	0770020220	O-RING 25,12X1,78 NBR70	1
41	54833080000	STOP DISC 20,2X30X1	1
43	54833044000	STOP DISC 25X31X1,5	1
99	00050000941	COUNTER SHAFT REP.KIT 4 STROKE	x

127203360 / C127203360

\* NEW PART

X AS REQUIRED

# TRANSMISSION I - MAIN SHAFT

350 FREERIDE 2012

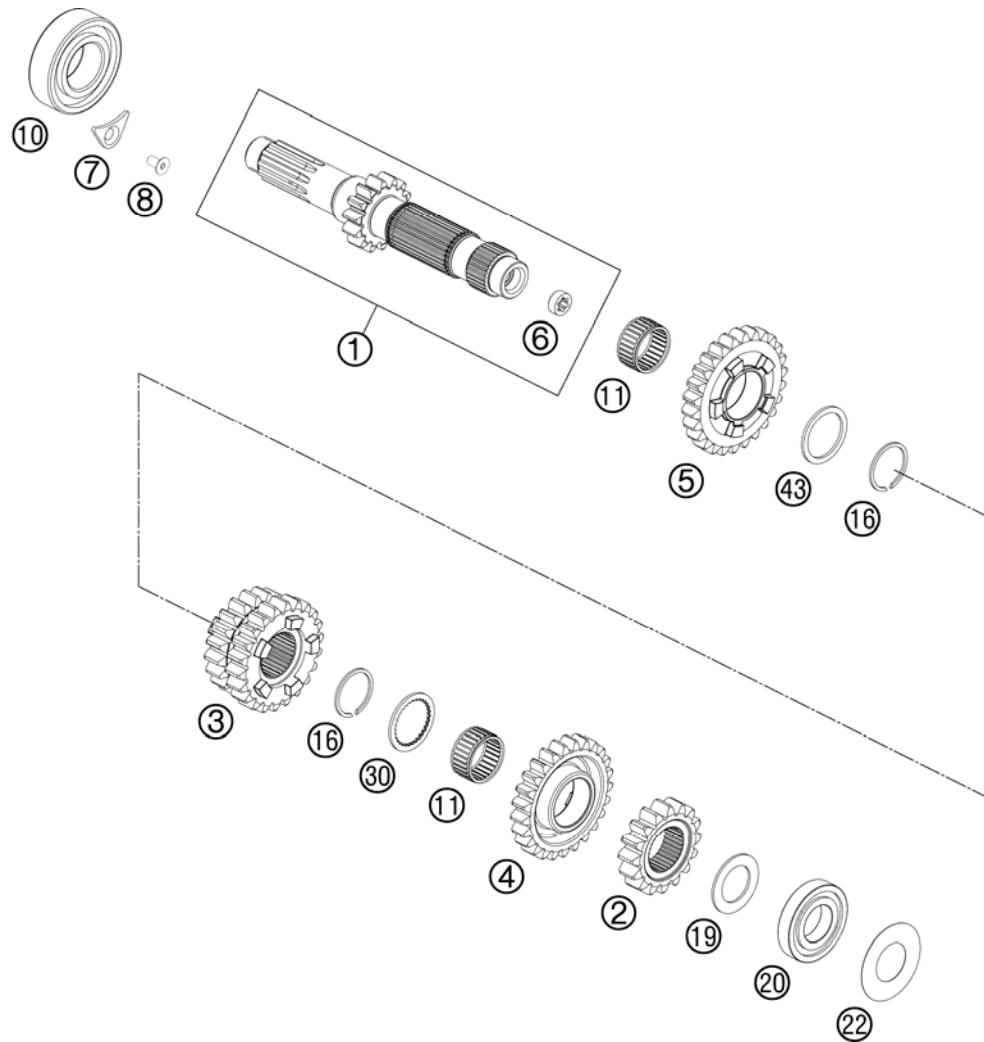


FIG	PART NUMBER	DESCRIPTION	QTY
1	77233101000	MAIN SHAFT CPL. 14 T.	1
2	54833202000	SOLID GEAR	1
3	54833203000	SLIDING GEAR 3./4.GANG,Z=20/22	1
4	54833205000	IDLER GEAR 5.G, Z =25	1
5	54833206000	IDLER GEAR 6. G, Z=26	1
6	78033001110	BUSHING	1
7	75030085000	RETAINING PLATE F. CS BEARING	1
8	0019050106	INT. TORX FLAT HEAD M5X10 10.9	1
10	0625062054	BALL BEARING 6205 C3 NTN	1
11	0405222613	NEEDLE BEAR. K 22X26X13 TN	2
16	0417024000	CIRCLIP WS24	2
19	77233015000	DISK 20,2X32X1,3	1
20	0625160040	GROOVED BALL BEAR. TM 16004 C3	1
22	77233088000	SPACER SHIM 21X42X0.2	1
30	54833043000	STOP DISC 25X0,8X30X30X7H	1
43	54833044000	STOP DISC 25X31X1,5	1

127753330 / C127753330

\* NEW PART

X AS REQUIRED

# SHIFTING MECHANISM

350 FREERIDE 2012

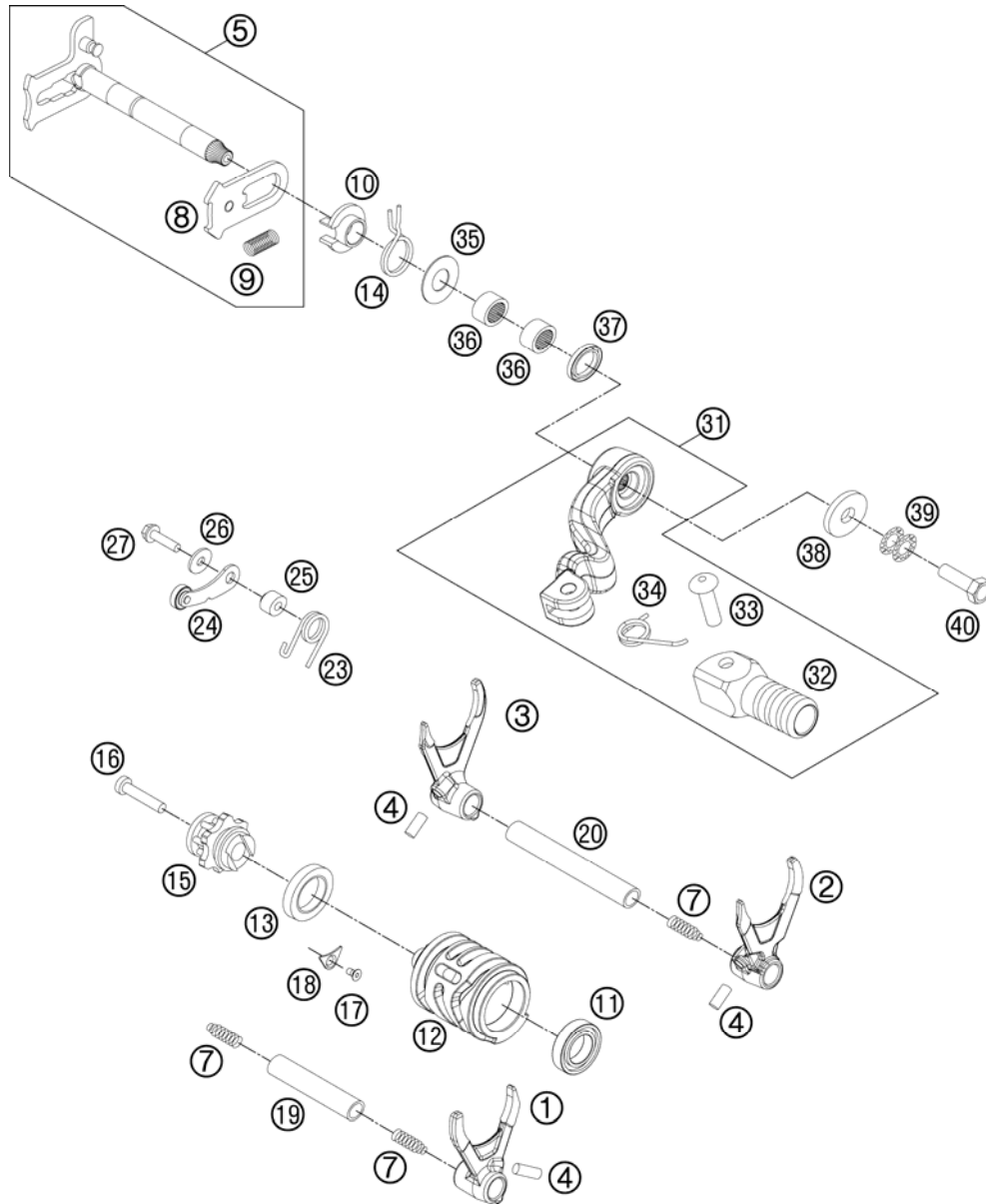


FIG	PART NUMBER	DESCRIPTION	QTY
1	54834201000	SHIFT FORK 5./6.G.	1
2	54834202000	SHIFT FORK 2./4.G.	1
3	54834203000	SHIFT FORK 1./3. G.	1
4	0402061480	NEEDLE ROLLER DIN5402 6X14,8	3
5	54834005044	SHIFTING SHAFT CPL. 03	1
7	58038023200	PRESSURE SPRING 0,9MM	3
8	54634008044	SLIDING PLATE CPL.	1
9	56534013100	TENSIONING SPRING 0,8MM	1
10	54634020000	SPRING GUIDE	1
11	0625069034	BALL BEARING 6903 C4	1
12	54834212000	SHIFTING DRUM	1
13	0625618050	BALL BEARING 61805 C3	1
14	54834014000	RETURN SPRING 03	1
15	77234015000	SHIFT LOCATING DRUM CPL.	1
16	0912060353	AH SCREW DIN0912-M 6X35	1
17	0019050106	INT. TORX FLAT HEAD M5X10 10.9	1
18	75030085000	RETAINING PLATE F. CS BEARING	1
19	54834019000	SHIFT. RAIL MAIN SHAFT 250/300	1
20	54834020000	SHIFT. RAIL C. SHAFT 250/300	1
23	60034023000	ARRESTING LEVER SPRING 03	1
24	50334024144	LOCATING LEVER CPL. 08	1
25	54634052300	SLEEVE FOR LOCKING LEVER	1
26	0021050003	WASHER DIN9021-A 5,3	1
27	0025050206	HH COLLAR SCREW M5X20 TX30	1
31	72034031000	SHIFTING LEVER CPL.	1
32	54634131000	STEP PLATE FOR SHIT LEVER 250	1
33	54634031050	BOLT 6X25 FOR SHIFT LEVER	1
34	54634032100	SHIFTING LEVER SPRING 250	1
35	54634050000	STOP DISK 14X30X1	1
36	54632095000	NEEDLE BEAR.HK 1412 14X20X12	2
37	0760142460	SHAFT SEAL RING 14X24X6 B	1
38	50232050001	STEEL WASHER 6,4X17X3	1
39	50233041000	PAIR OF WASHERS M 6 NORDLOCK	1
40	59009062016	SPECIAL SCREW M6X16 WS=8 10.9	1

127203410 / C127203410

\* NEW PART

X AS REQUIRED

# COOLING SYSTEM

350 FREERIDE 2012

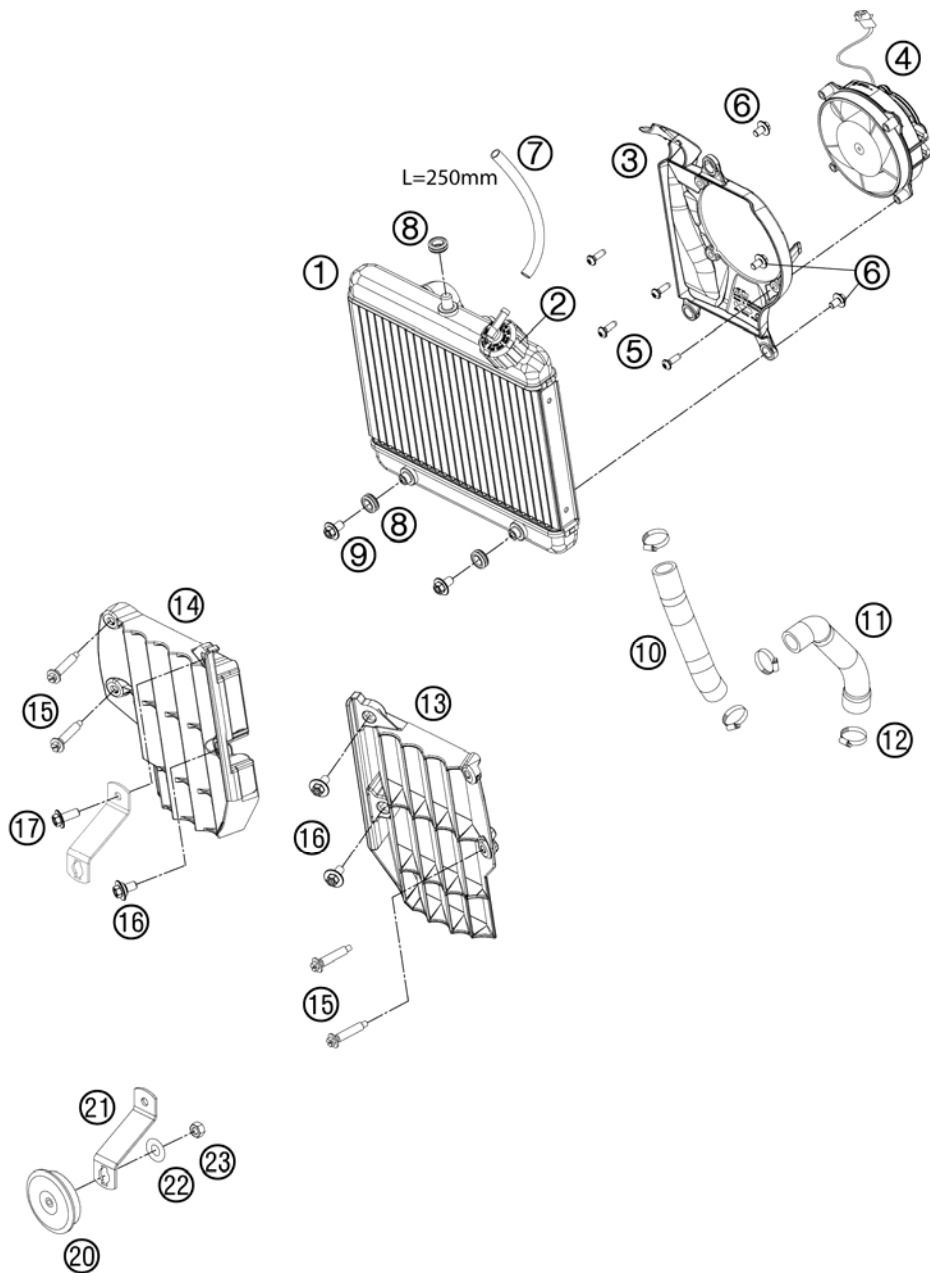


FIG	PART NUMBER	DESCRIPTION	QTY
1	72035010000	RADIATOR	1
2	72035016000	RADIATOR CAP 1,8 BAR	1
3	72035044000	FAN COWL	1
4	58435041000	FAN CPL. 12V LC4 2000	1
5	0081050161	EJOT PT SCREW K50X16 1451	4
6	0024060106	HH COLLAR SCREW M6X10 TX30	3
7	50335030001	PVC-HOSE 6X9	1
8	58414019000	RUBBER GROMMET 11 X 19 X 9 '96	3
9	0024060106	HH COLLAR SCREW M6X10 TX30	2
10	72035026000	PREFORMED HOSE CYL.-RADIATOR	1
11	72035025000	PREFORMED HOSE ENGINE/COOLER	1
12	10001020000	HOSE CLAMP GEMI 16-27	4
13	7203503400030	RADIATOR PROTECTOR L/S BLACK	1
14	7203503500030	RADIATOR PROTECTOR R/S BLACK	1
15	0017060303	SPECIAL SCREW T60 6X30 WS=6	4
16	83008000012	SPECIAL SCREW M6X12X3	3
17	0024060156	HH COLLAR SCREW M6X15 TX30	1
20	50311060200	DC HORN 12V 07	1
21	78011061000	HORN BRACKET EXC 08	1
22	0125050003	WASHER DIN0125-A 5,3	1
23	0934050003	HEXAGON NUT DIN0934-M 5	1

127203530 / C127203530

\* NEW PART

X AS REQUIRED

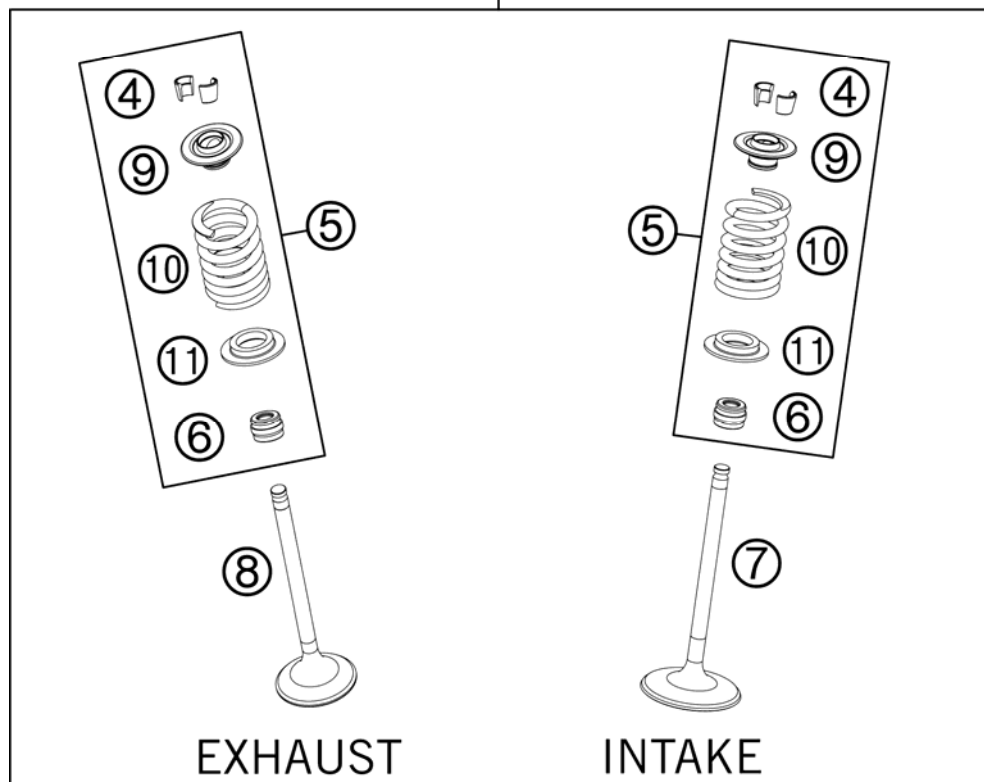


FIG	PART NUMBER	DESCRIPTION	QTY
1	77236056000	VALVE LEVER SHAFT	2
2	77236060000	VALVE LEVER	4
3	77036035172	SHIM D=8,9/1,72	x
3	77036035176	SHIM D=8,9/1,76	x
3	77036035180	SHIM D=8,9/1,80	x
3	77036035184	SHIM D=8,9/1,84	x
3	77036035188	SHIM D=8,9/1,88	x
3	77036035192	SHIM D=8,9/1,92	x
3	77036035196	SHIM D=8,9/1,96	x
3	77036035200	SHIM D=8,9/2,00	x
3	77036035204	SHIM D=8,9/2,04	x
3	77036035208	SHIM D=8,9/2,08	x
3	77036035212	SHIM D=8,9/2,12	x
3	77036035216	SHIM D=8,9/2,16	x
3	77036035220	SHIM D=8,9/2,20	x
3	77036035224	SHIM D=8,9/2,24	x
3	77036035228	SHIM D=8,9/2,28	x
3	77036035232	SHIM D=8,9/2,32	x
3	77036035236	SHIM D=8,9/2,36	x
3	77036035240	SHIM D=8,9/2,40	x
3	77036035244	SHIM D=8,9/2,44	x
3	77036035248	SHIM D=8,9/2,48	x
3	77036035252	SHIM D=8,9/2,52	x
3	77036035256	SHIM D=8,9/2,56	x
3	77036035260	SHIM D=8,9/2,60	x
4	77236033000	VALVE COLLET	8
5	77536028044	VALVE SPRING KIT	4
6	77236027000	VALVE-STEM SEALING	4
7	77536030000	INTAKE VALVE	2
8	77536031000	EXHAUST VALVE	2
9	77536032000	VALVE-SPRING RETAINER	4
10	77036028300	VALVE SPRING INSIDE	4
11	77536036100	VALVE SPRING HOLDER	4
99	77536030110	VALVE KIT FREERIDE	12

117723610 / C127203610

\* NEW PART

X AS REQUIRED

# CYLINDER HEAD

350 FREERIDE 2012

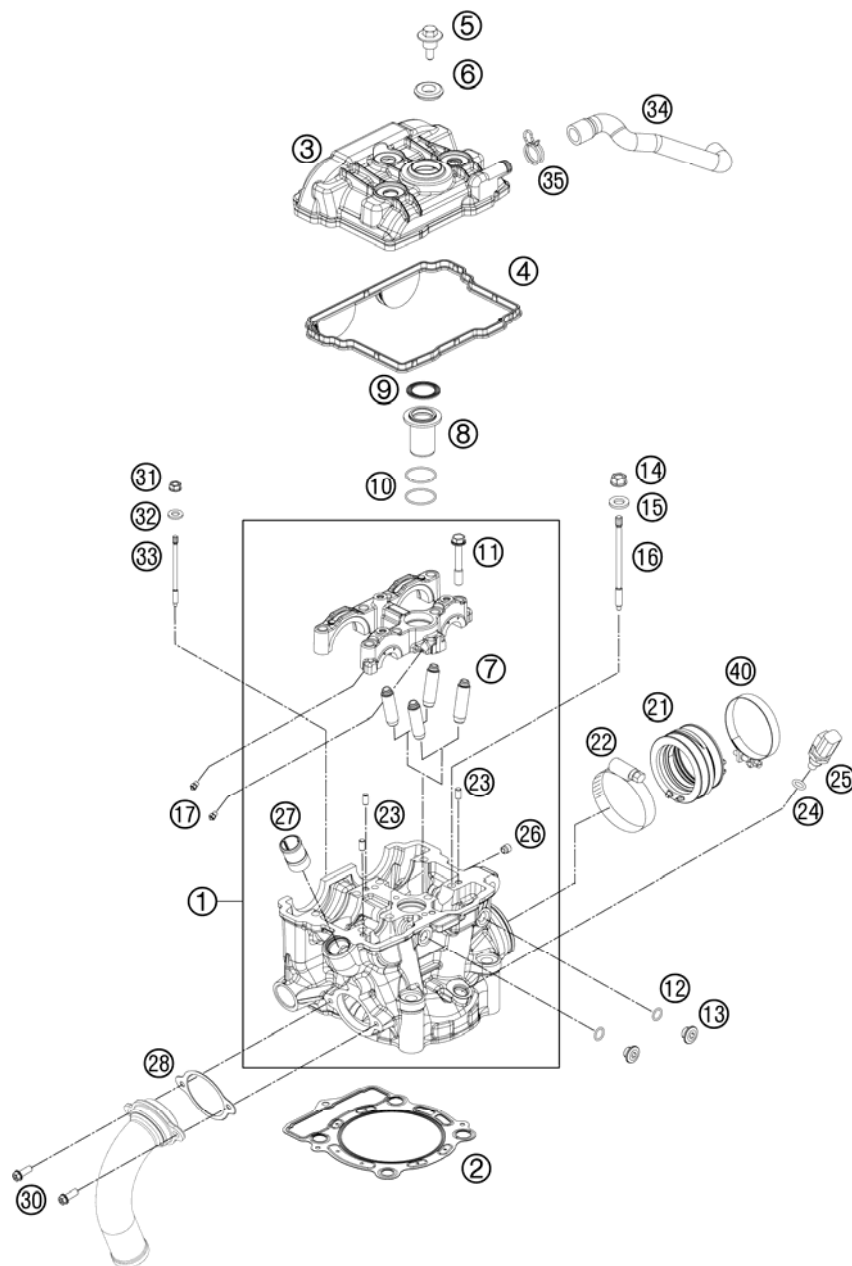


FIG	PART NUMBER	DESCRIPTION	QTY
1	77236020044	CYLINDER HEAD CPL.	1
2	77230036000	CYLINDER HEAD GASKET	1
3	7723605200033	VALVE COVER	1
4	77236053000	VALVE COVER GASKET	1
5	77336054150	VALVE COVER SCREW	3
6	77036054050	RUBBER GASKET FOR SCREW 05	3
7	77236025001	VALVE GUIDE INTAKT	4
8	77236075000	INSERT SPARK-PLUG SHAFT	1
9	77336053050	GASKET SPARK-PLUG SHAFT	1
10	0770260015	O-RING 1,5x26	2
11	77330067142	HH COLLAR SCREW M7X1X42	8
12	07700900151	O-RING 9x1,5 V75 SH DIN 3771	2
13	77236080000	SCREW PLUG	2
14	77336088210	COLLAR NUT M10X1,25 SW13	4
15	77336089010	WASHER 19X10,5X2,5	4
16	77230044000	STUD SCREW M10X1,25	4
17	60030063050	OIL JET 50 05	4
21	77236044000	CONNECTION RUBBER EFI	1
22	61036047000	HOSE CLAMP GEMI 63MM 05	1
23	0402050980	NEEDLE ROLLER DIN5402 5X9,8	3
24	0770100020	O-RING 10,00X2,00 SILCONE	1
25	60011252000	TEMPERAT.-SENSOR WATER LC8 02	1
26	59030296000	SCREW PLUG	1
27	58030010200	SCREW IN NOZZLE M20X1,5	1
28	77236041000	GASKET EXHAUST FLANGE	1
30	0025060166	HH COLLAR SCREW M6X16 TX30	2
31	77336088106	COLLAR NUT M6X1 SW8	1
32	0125060003	WASHER DIN0125-A 6,4	1
33	77330043000	STUD SCREW M6	1
34	72030087000	ENGINE BREATHER HOSE	1
35	58431082100	YDNAC-CLAMP 10173 (16MM) '98	1
40	77236048000	HOSE CLAMP GEMI 58MM	1

127203630 / C127203630

\* NEW PART

X AS REQUIRED

# TIMING DRIVE

350 FREERIDE 2012

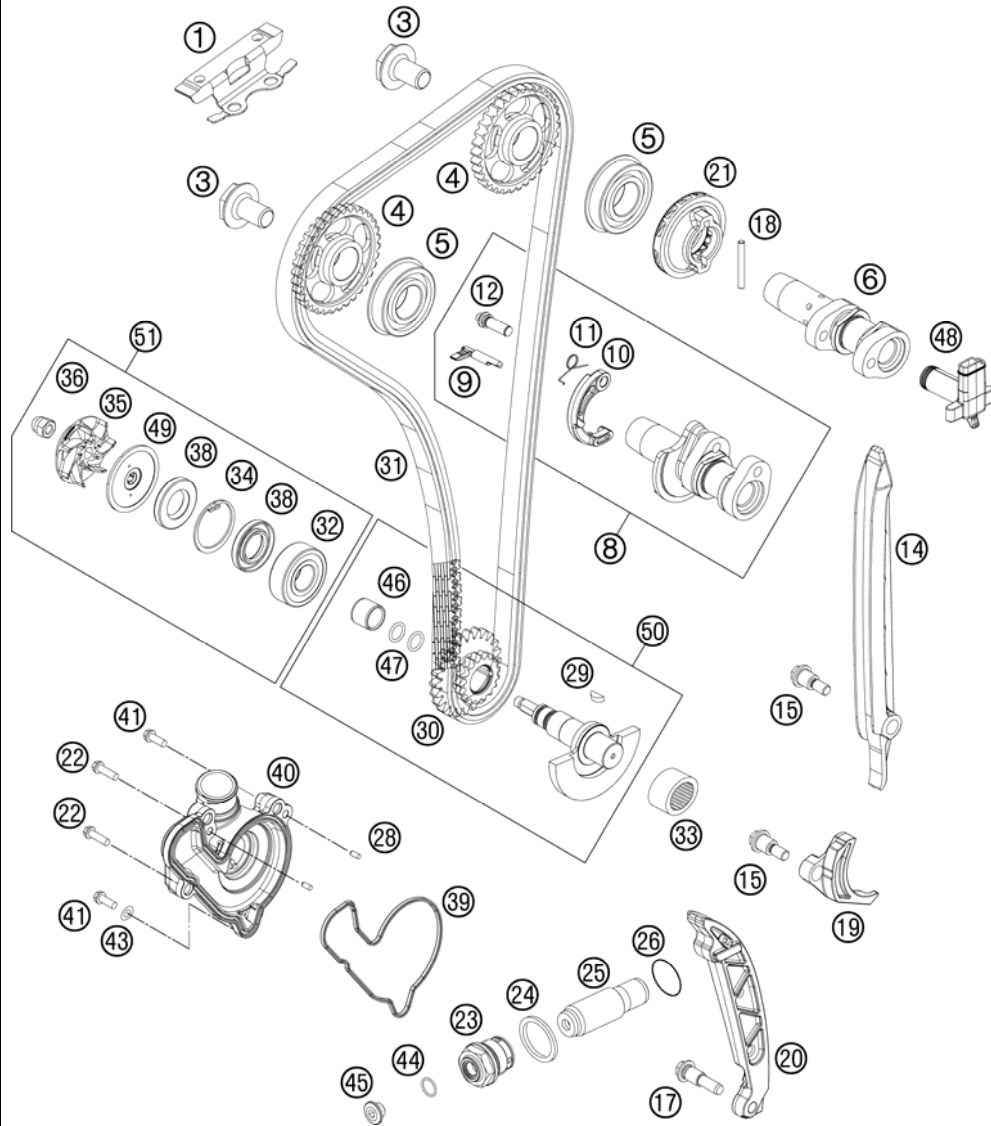


FIG	PART NUMBER	DESCRIPTION	QTY
1	77236004000	TIMING CHAIN GUIDE TOP	1
3	77036012100	CAMSHAFT GEAR SCREW	08 2
4	77236011000	CAMSHAFT GEAR	2
5	0625060043	BALL BEARING 6004 NR C3 '05	2
6	77536009000	CAMSHAFT INTAKE	1
8	77536010044	CAMSHAFT EXHAUST WITH DEKO CPL	1
9	77236015000	AUTO DECOMPRESSION	1
10	77036016100	AUTO DECO WEIGHT	1
11	77236017000	SPRING FOR AUTO DECOMPR.	1
12	77236019000	BUSHING SCREW AUTODEC.	1
14	77236001000	TIMING CHAIN GUIDE	1
15	77236001060	BUSHING SCREW M6	2
17	77236002060	BUSHING SCREW M8	1
18	0402035298	NEEDLE ROOLER NRB 3.5X29.8-G2	1
19	77236005000	SECURING PROTECTION	1
20	77236002000	TENSIONING RAIL	1
21	77236082000	VENTILATION GEAR CPL.	1
22	0025060406	HH COLLAR SCREW M6X40 TX30	2
23	77336008000	HOLDING BOLT M24X1,5	1
24	0603242920	CU SEAL-RING DIN7603 A24X29X2	1
25	77036003000	CHAIN ADJUSTER HYD. '05	1
26	0770180020	O-RING 18,00X2,00 NBR 70	1
28	0402040980	NEEDLE ROL.DIN5402 NRB 4X9,8	2
29	0888030037	WOODRUFF KEY DIN6888-3X3,7	1
30	77236076000	TIMING VALVE TWIN WHEEL	1
31	77236013000	TIMING CHAIN	1
32	0625062022	BALL BEARING 6202 C0 2	1
33	77230058000	NEEDLE BEARING NK16/16	1
34	0472300120	CIRCLIP 30X1,2	1
35	81235055020	WATER PUMP ROTOR	1
36	61230045000	CAP NUT M6 STAINLESS STEEL	1
38	07601530451	SHAFT SEAL RING 15X30X4.5 BAUD	2
39	77235053000	GASKET FOR WATER PUMP COVER	1
40	77235052000	WATER PUMP COVER	1
41	0025060256	HH COLLAR SCREW M6X25 TX30	2

127753620 / C127753620

\* NEW PART

X AS REQUIRED



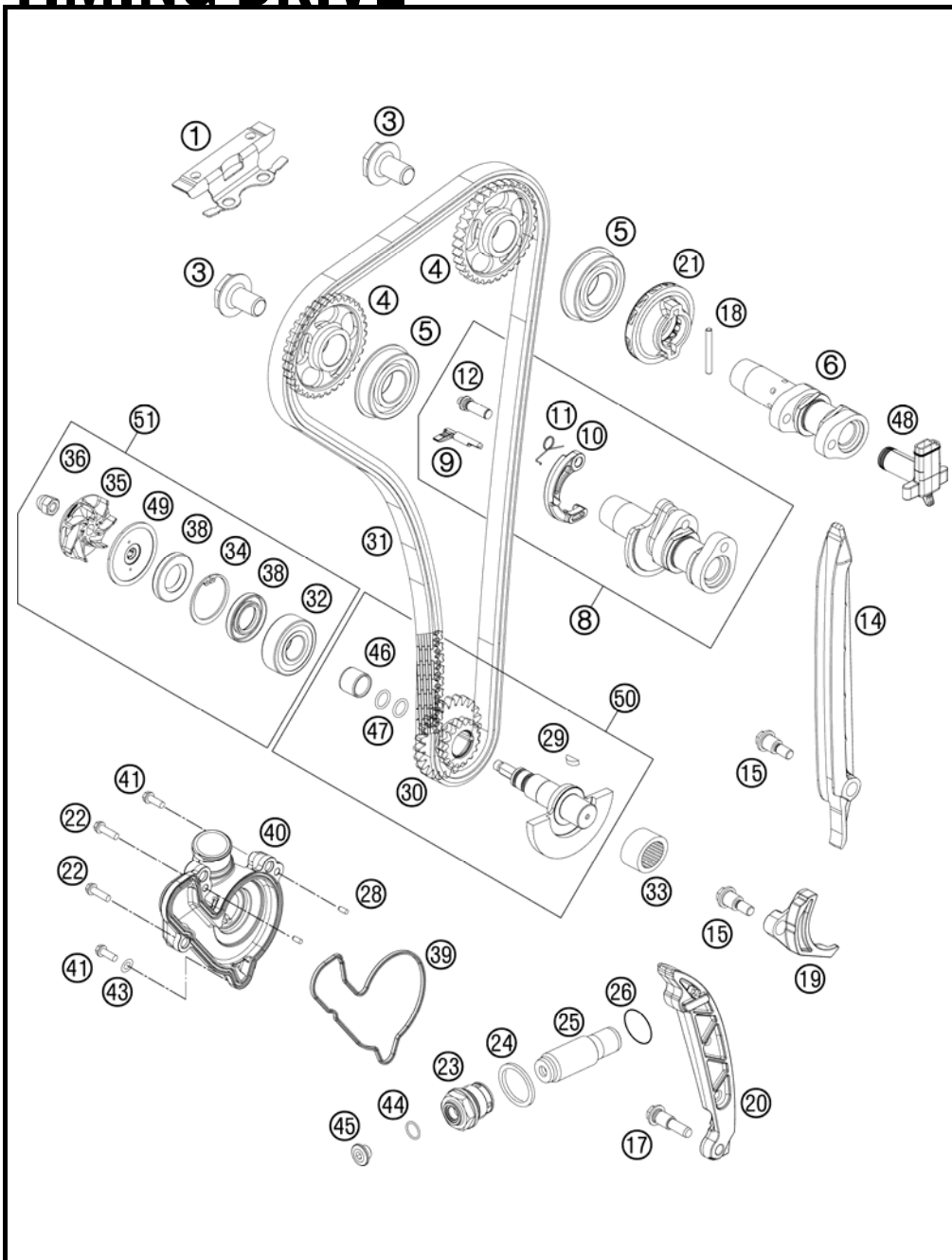


FIG	PART NUMBER	DESCRIPTION	QTY
43	0603061001	CU-SEAL RING DIN7603-6X10X1	1
44	0770010010	O-RING 10,00X1,00 NBR 70 SH	1
45	77236080000	SCREW PLUG	1
46	77236072020	WEAR BUSHING WAPU	1
47	07700900151	O-RING 9x1,5 V75 SH DIN 3771	2
48	77236081000	ANGLE PIECE F. BREATHER SYSTEM	1
49	81235055110	DISC WATER PUMP	1
50	77536072033	BALANCER SHAFT CPL.	x
51	77235055010	WATER PUMP REP. KIT 11-12	x

127753620 / C127753620

\* NEW PART

X AS REQUIRED

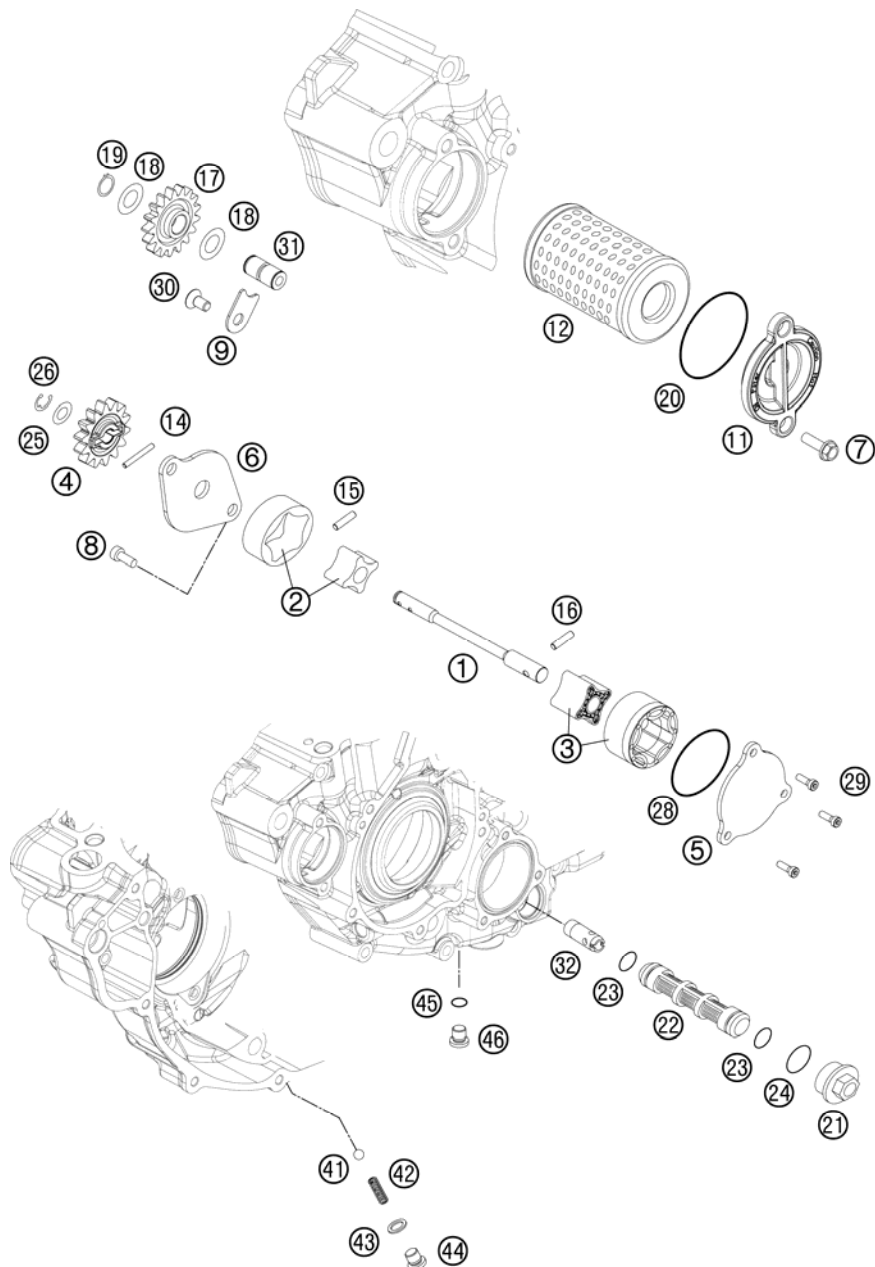


FIG	PART NUMBER	DESCRIPTION	QTY
1	77238102000	OIL PUMP SHAFT	1
2	59038011012	OILPUMP ROTOR 12MM G-95R/003	1
3	61238111000	ROTOR-SET CPL. 22MM	1
4	77038001100	OIL PUMP GEAR 14T 08	1
5	78038004000	OIL PUMP COVER SUCTION PUMP	1
6	77238003100	OIL PUMP COVER R/S	1
7	0025060166	HH COLLAR SCREW M6X16 TX30	2
8	0984050123S	CYLIND. SCR. DIN6912 M5X12 8.8	2
9	77238061050	AXIAL-CIRCLIP	1
11	77338041200	OIL FILTER COVER 08	1
12	77338005100	OIL FILTER	1
14	0402251980	NEEDLEROL.DIN5402 NRA 2,5X19,8	1
15	0402251180	NEEDLE ROLLER DIN5402 2,5X11,8	1
16	0402041580	NEEDLE ROLLER NRB 4X15,8 G2	1
17	77038006100	OILPUMP IDLER GEAR 08	1
18	0988121805	SHIM WASHER DIN0988-12X18X0,50	2
19	0471120010	CIRCLIP DIN0471-12X1	1
20	07703305178	O-RING 33,05X1,78	1
21	59038017000	PLUG M20X1,5 WS=13	1
22	59038016100	OIL SCREEN	1
23	0770125015	O-RING 12,5X1,5 NBR	2
24	0770020170	O-RING 17,17X1,78 GLO	1
25	58038007755	STOP DISK 8,1 X 15 X 0,5	1
26	0799060000	TAB WASHER DIN6799-RS 6,0	1
28	0770440020	O-RING 44,00X2,00 VITON	1
29	0984050163S	CYL. SCREW DIN6912 M5X16 8.8	3
30	0018050103	INT. TORX OVAL HEAD M 5X10 8.8	1
31	77038013100	BUSHING PIN	1
32	77038022000	OIL INTAKEPIPE	1
41	0401090003	BALL DIN5401-9	1
42	58038023300	PRESSURE SPRING L=25MM D=1MM	1
43	58038022000	CU-SEAL RING DIN7603-12X18X1,5	1
44	0908120153	PLUG DIN0908-M12X1,5	1
45	0770110015	O-RING 1,5x11 SILICON	1
46	78036081000	HOLDING BOLT M14X1,5	1

117723810 / C127723810

\* NEW PART

X AS REQUIRED

# IGNITION SYSTEM

350 FREERIDE 2012

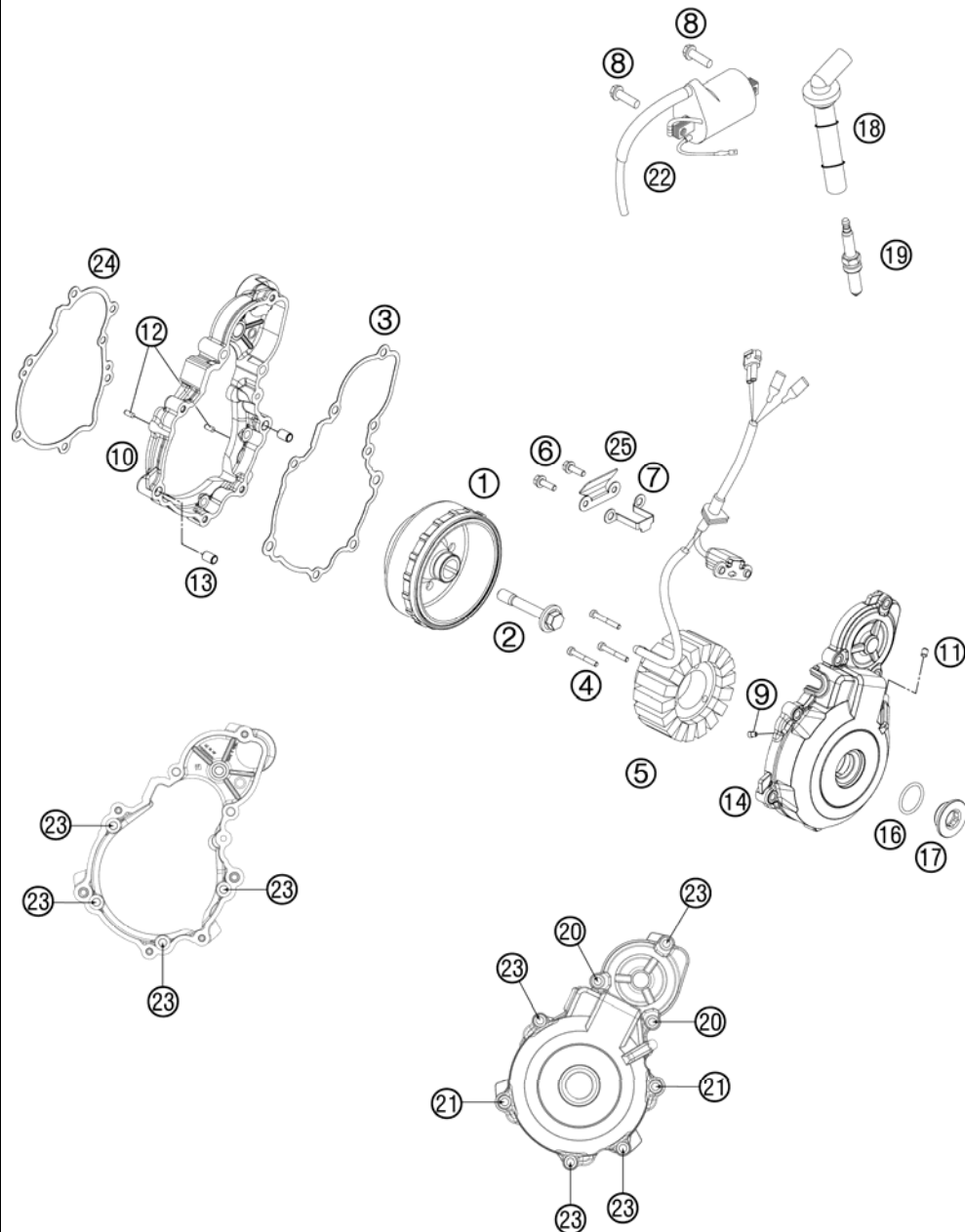


FIG	PART NUMBER	DESCRIPTION	QTY
1	77539005000	ROTOR	1
2	77339010100	FLYWHEEL SCREW	1
3	77530042000	IGNITION COVER GASKET	1
4	0912050303	AH SCREW DIN0912-M 5X30	3
5	77539004000	STATOR	1
6	0025050166	HH COLLAR SCREW M5X16 TX30	2
7	77530002050	CABLE TAB WASHER EXC	1
8	0025060166	HH COLLAR SCREW M6X16 TX30	2
9	80030058060	OIL JET "60" M4	1
10	7753000200015	IGNITION COVER INSIDE	1
11	0913050063	THREAD PIN DIN 913 M5X6	1
12	0402040980	NEEDLE ROL.DIN5402 NRB 4X9,8	2
13	59030023000	DOWEL 6X8X11,5	2
14	7753001200015	IGNITION COVER	1
16	07700240251	O-RING 24X2,5 VITON	1
17	7723000206030	FACTORY IGNITION COVER PLUG	1
18	77239090000	SPARK PLUG CONNECTOR	1
19	77839093000	SPARK PLUG NGK LMAR9AI-10	1
20	0025060506	HH COLLAR SCREW M6X50 TX30	2
21	0025060306	HH COLLAR SCREW M6X30 TX30	2
22	58439006000	IGNITIONCOIL IG3826 KOKUSAN'96	1
23	0025060256	HH COLLAR SCREW M6X25 TX30	8
24	77530040000	IGNITION COVER GASKET	1
25	77530002060	BRACKET	1

127753910 / C127203910

\* NEW PART

X AS REQUIRED

# ELECTRIC STARTER

350 FREERIDE 2012

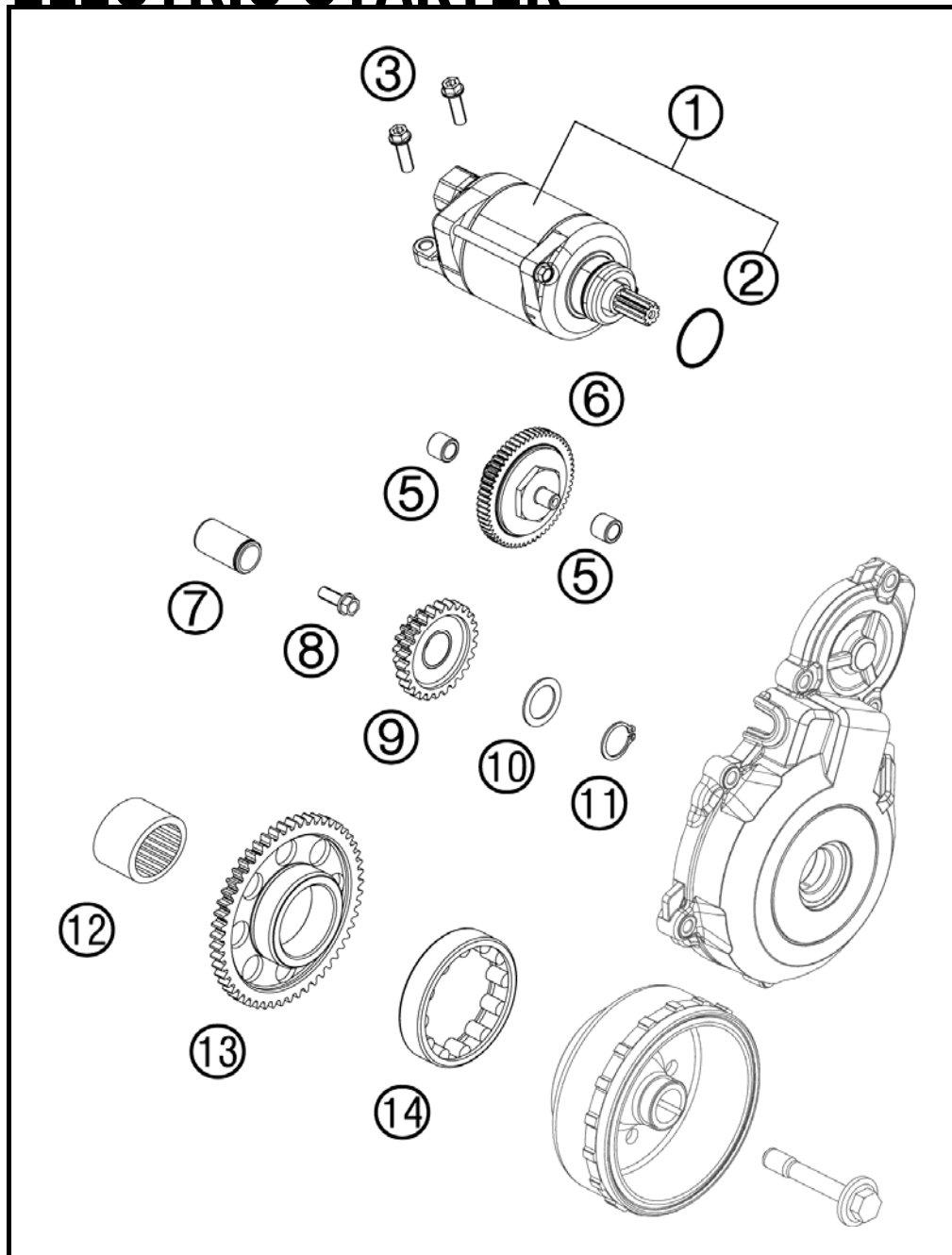


FIG	PART NUMBER	DESCRIPTION	QTY
1	77240001100	E-STARTER ENGINE CPL.	1
2	0770250030	O-RING 25,00X3,00 NBR 70	1
3	0025060256	HH COLLAR SCREW M6X25 TX30	2
5	0618081210	NEEDLE BUSH HK 0810 DIN 618	2
6	77240016000	TORQUE LIMITER	1
7	59040028000	BUSHING PIN	1
8	0015060163	HH COLLAR SCREW M 6X16 WS=8	1
9	77240022000	INTERMEDIATE STARTING GEAR	1
10	54633090000	STOP DISK 17,2X25X1	1
11	0471170010	CIRCLIP DIN0471-17X1	1
12	0618301617	NEEDLE BEARING HK 3016 B	1
13	77240020000	FREEWHEEL GEAR	1
14	77240026000	ROLLER FREE WHEEL	1

127754010 / C127754010

\* NEW PART

X AS REQUIRED

# THROTTLE BODY

350 FREERIDE 2012

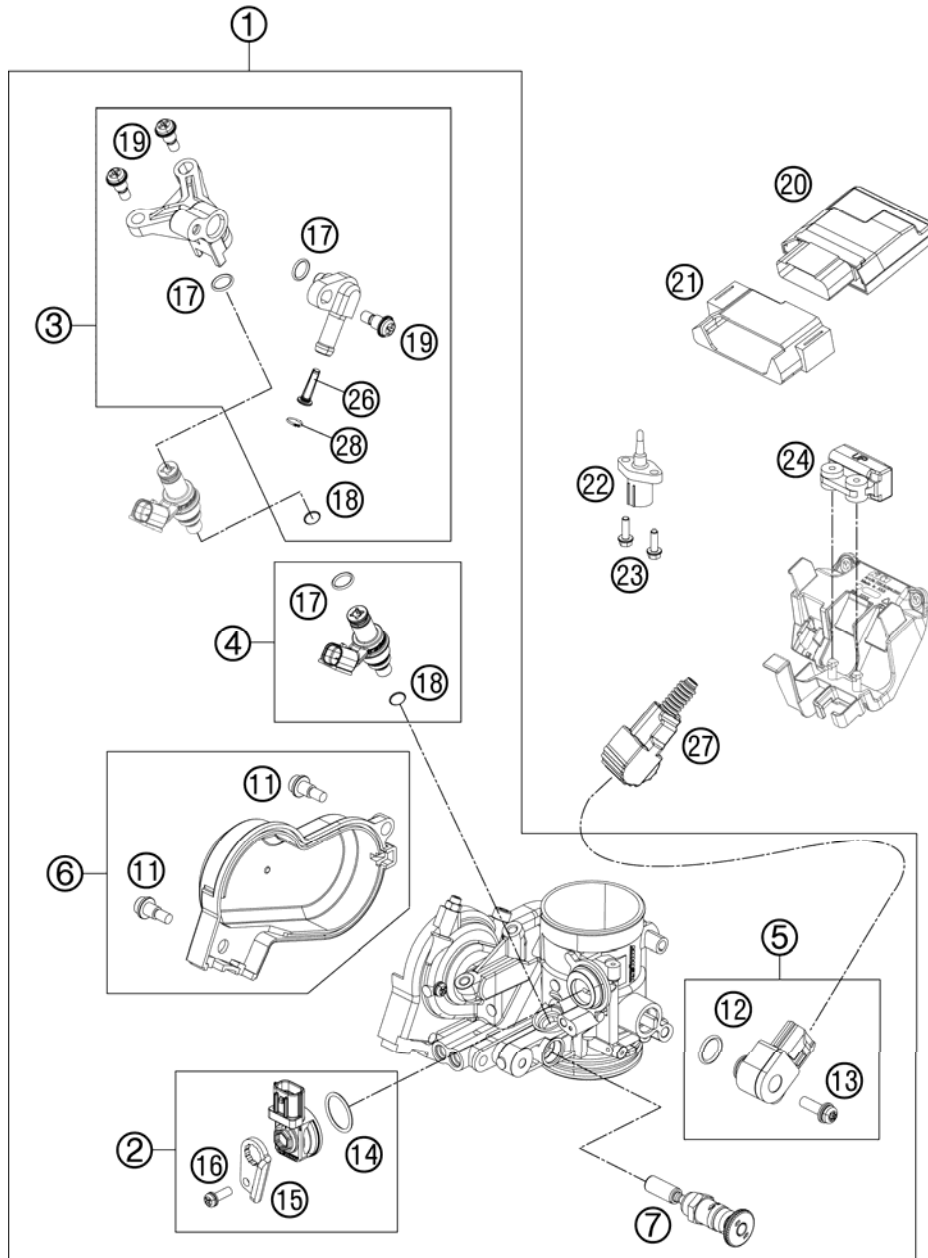


FIG	PART NUMBER	DESCRIPTION	QTY
1	77141001000	THROTTLE BODY	1
2	81241085044	MAP SENSOR CPL.	09
3	81241013044	FUEL RAIL CPL.	09
4	77141023144	INJECTOR KIT CPL.	1
5	81241077044	TPS KPL.	09
6	81241056044	THROTTLE COVER CPL.	09
7	81241060000	STARTER VALVE COMP.	1
11	81241056020	SPECIAL SCREW AH	2
12	61041077010	O-RING THROTTLE POS. SENSOR	1
13	81241077030	SPECIAL SCREW	1
14	75041085010	O-RING	1
15	81241085020	PLATE	09
16	81241085030	SPECIAL SCREW	1
17	75041023020	O-RING	2
18	75041023010	SEAL RING	1
19	75041013010	SCREW SHOULDER	3
20	81241031100	TIMING CHARGER EFI	1
21	77241031050	RUBBER BRACKET ECU	1
22	61041080000	AMBIENT-AIR TEMPERATURE SENSOR	1
23	0025050166	HH COLLAR SCREW M5X16 TX30	2
24	61041088000	ROLLOVER SENSOR	05
26	78141013190	FUEL FILTER	1
27	77111014050	PROTECTION CAP TPS	1
28	77507017000	CLAMP ABA 14MM	1

127204110 / C127204110

\* NEW PART

X AS REQUIRED