


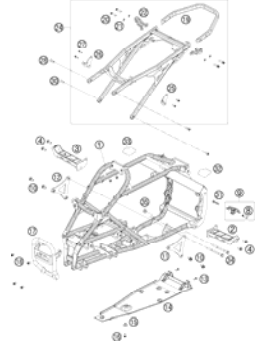
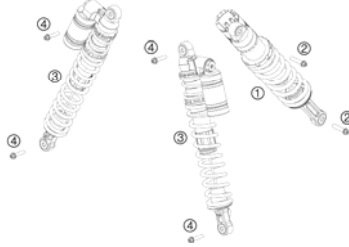
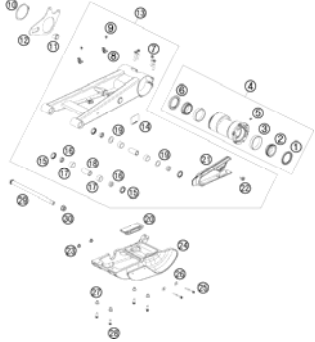
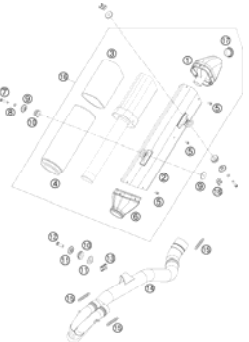
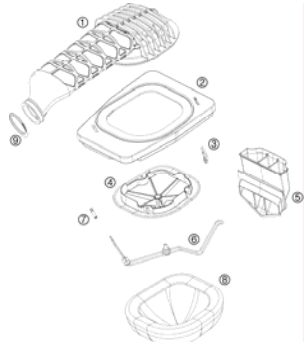
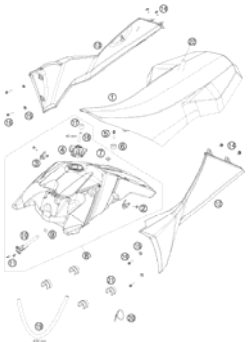

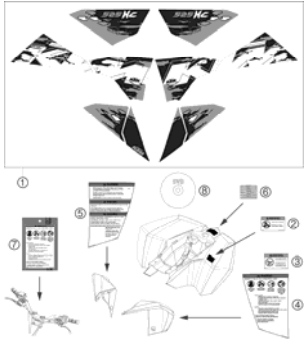
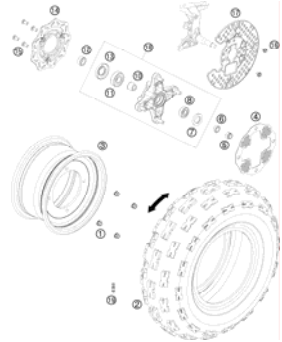
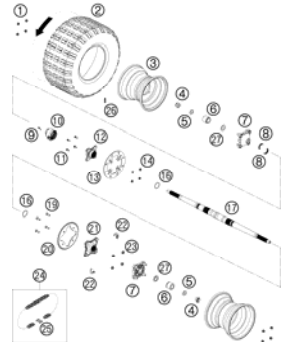
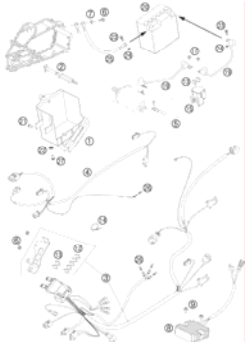
525 XC ATV 2008

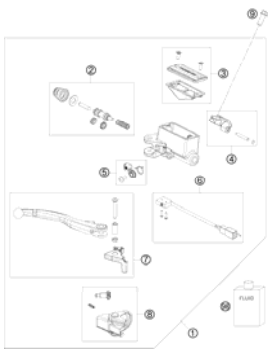
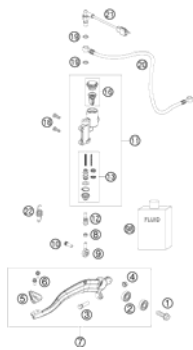
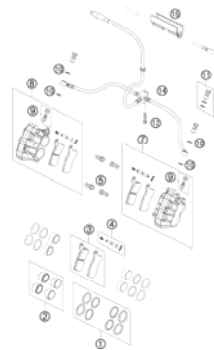
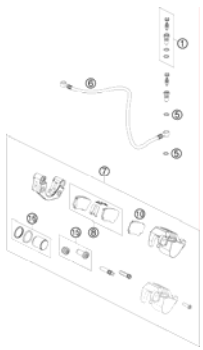
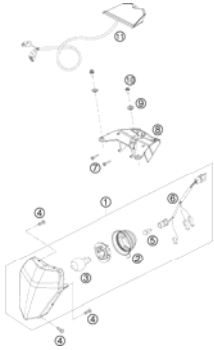
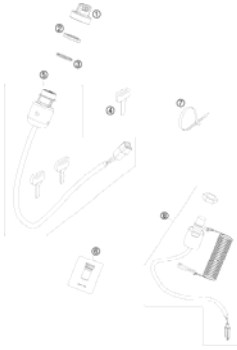

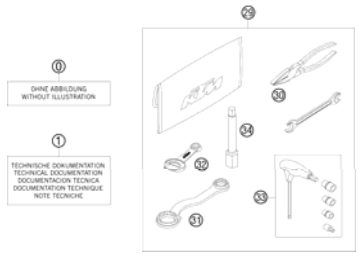
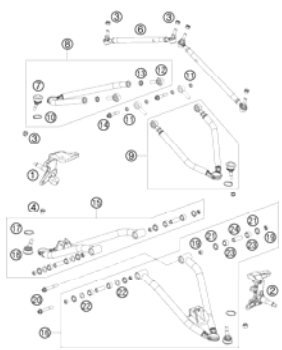
SPARE PARTS MANUAL: CHASSIS

ART.NO.: 3CF8575HQEN

ENGLISH



<p>HANDLEBAR, CONTROLS</p>  <p>3</p>	<p>FRAME</p>  <p>5</p>	<p>MONOSHOCK</p>  <p>6</p>	<p>SWING ARM</p>  <p>7</p>
<p>EXHAUST SYSTEM</p>  <p>8</p>	<p>AIR FILTER</p>  <p>9</p>	<p>TANK, SEAT, COVER</p>  <p>10</p>	<p>MASK, FENDERS</p>  <p>11</p>
<p>DECAL</p>  <p>12</p>	<p>FRONT WHEEL</p>  <p>13</p>	<p>REAR WHEEL</p>  <p>14</p>	<p>WIRING HARNESS</p>  <p>15</p>

<p>HAND BRAKE CYLINDER</p>  <p>16</p>	<p>REAR BRAKE CONTROL</p>  <p>17</p>	<p>BRAKE CALIPER FRONT</p>  <p>18</p>	<p>BRAKE CALIPER REAR</p>  <p>19</p>
<p>LIGHTING SYSTEM</p>  <p>20</p>	<p>INSTRUMENTS/LOCK SYSTEM</p>  <p>21</p>	<p>SPECIAL TOOLS</p>  <p>22</p>	<p>ACCESSORIES KIT</p>  <p>23</p>
<p>FRONT SECTION</p>  <p>24</p>	<div style="display: flex; align-items: center;"> <div style="background-color: #cccccc; padding: 20px; font-size: 48px; margin-right: 20px;">!</div> <div> <p>All information contained is without obligation. KTM-Sportmotorcycle AG particularly reserves the right to modify any equipment, technical specifications, prices, colors, shapes, materials, services, service work, constructions, equipment and the like so as to adapt them to local conditions or to cancel any of the above items, all without previous announcement and without giving reasons. KTM may stop manufacturing certain models without previous notice. KTM shall not be held liable for any deviations of availability and/or ability to deliver, illustrations, descriptions, printing and/or other errors. The illustrated models partly contain extra equipment, which is not applied to standard models. © by KTM-SPORTMOTORCYCLE AG, Mattighofen AUSTRIA; All rights reserved; Reprint, also in extracts, with written allowance of KTM-SPORTMOTORCYCLE AG, Mattighofen only.</p> </div> </div>		

HANDLEBAR, CONTROLS

525 XC ATV 2008

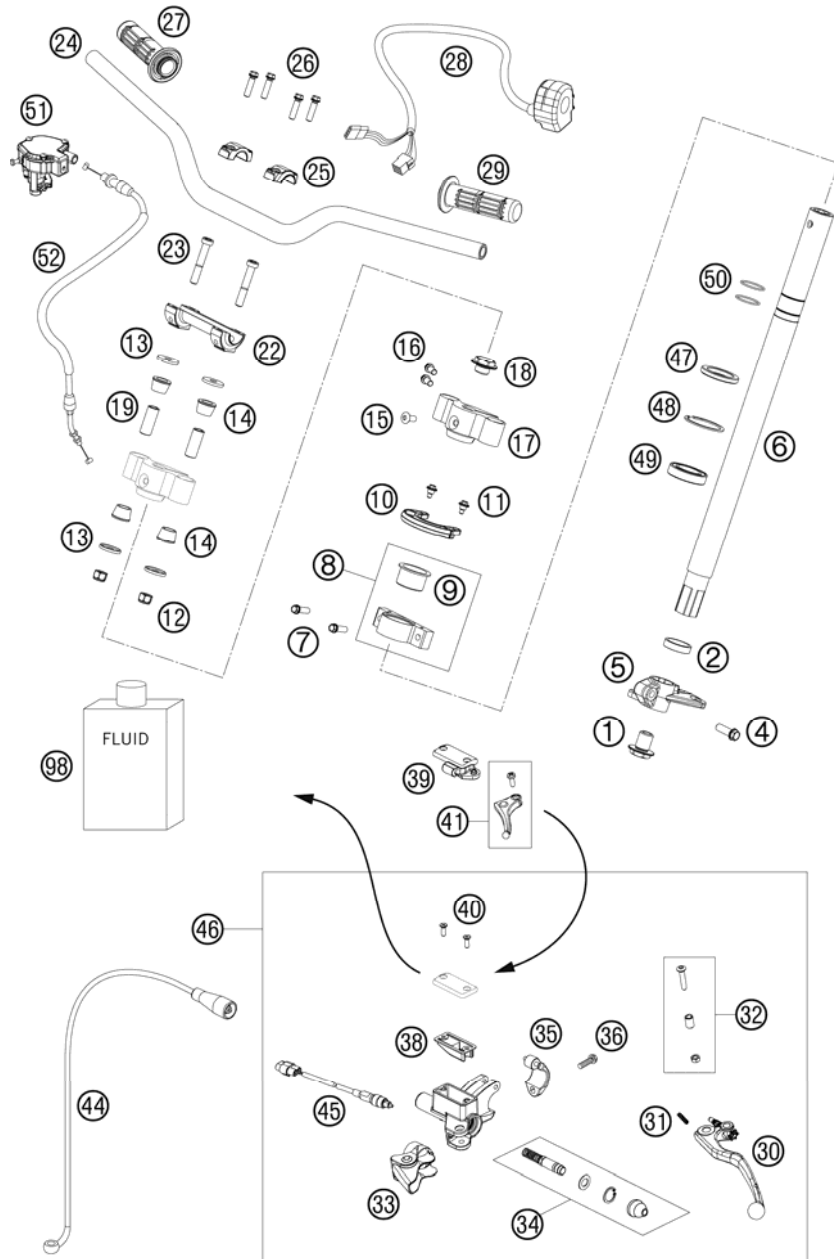


FIG	PART NUMBER	DESCRIPTION	QTY
1	83001033051	STEERING HEAD SCREW M20X1,5	1
2	83001033052	WASHER F. STEERING BEARING	1
4	0015100303	HH COLLAR SCREW M10X30 WS=13	1
5	83001033050	STEERING LEVER	1
6	83001033000	STEERING COLUMN	1
7	0025080256	HH COLLAR SCREW M8X25 TX40	2
8	83001035044	BEARING BLOCK WITH BEARING 08	1
9	83001035050	SLIDE BEARING W.C. JFM-3539-26	1
10	83001069000	CABLE GUIDE	1
11	59001092050	SPECIAL SCREW M6X12,5 WS=8	2
12	0985100003	SELF LOCKING NUT DIN0985-M10	2
13	83001042000	BUCKET	4
14	83001040000	RUBBER BUSH	4
15	54610052000	SPROCKET SCREW-AH M8X20 WS=6	1
16	0015080203	HH COLLAR SCREW M 8X20 WS=10	2
17	83001034008	HANDLE BAR BRIDGE 08	1
18	54801036000	STEER.HEAD SCREW M20X1,5 WS=27	1
19	83001041000	SPACER TUBE 10.2X16X39	2
22	59001039100	HANDLEBAR SUPPORT 28MM SC'99	1
23	0012100606	AH SCREW DIN6912-M10X60	2
24	83002001000	HANDLEBAR ATV 2008	1
25	59001038200	HANDLEBAR CLAMP D=28MM 2000	2
26	0025080306	HH COLLAR SCREW M8X30 TX40	4
27	83002021002	HANDLE BAR GRIP ATV R/S	1
28	83011070000	LEFT HANDLE SWITCH	1
29	83002021001	HANDLE BAR GRIP ATV L/S	1
30	60002031000	CLUTCH LEVER LONG CPL. 2003	1
31	59002035000	SPRING FOR CLUTCH LEVER 03	1
32	50302038000	LEVER SCREW CPL. 125-200 '98	1
33	50302037000	PROTECT.CAP FOR LEVER PERCH'98	1
34	59002032000	REP.KIT PISTON 9,5MM RAC. 2000	1
35	50302030150	CLAMP WITH PIN 2000	1
36	0015060203	HH COLLAR SCREW M 6X20 WS=8	1
38	50302034000	RUBBER FOR RESERVOIR '98	1
39	59002033000	COVER HYD.CLUTCH RACING 2000	1
40	0965040123	FLAT HEAD SCREW DIN0965-M 4X12	2

088300210 / C088300210

* NEW PART

X AS REQUIRED

HANDLEBAR, CONTROLS

525 XC ATV 2008

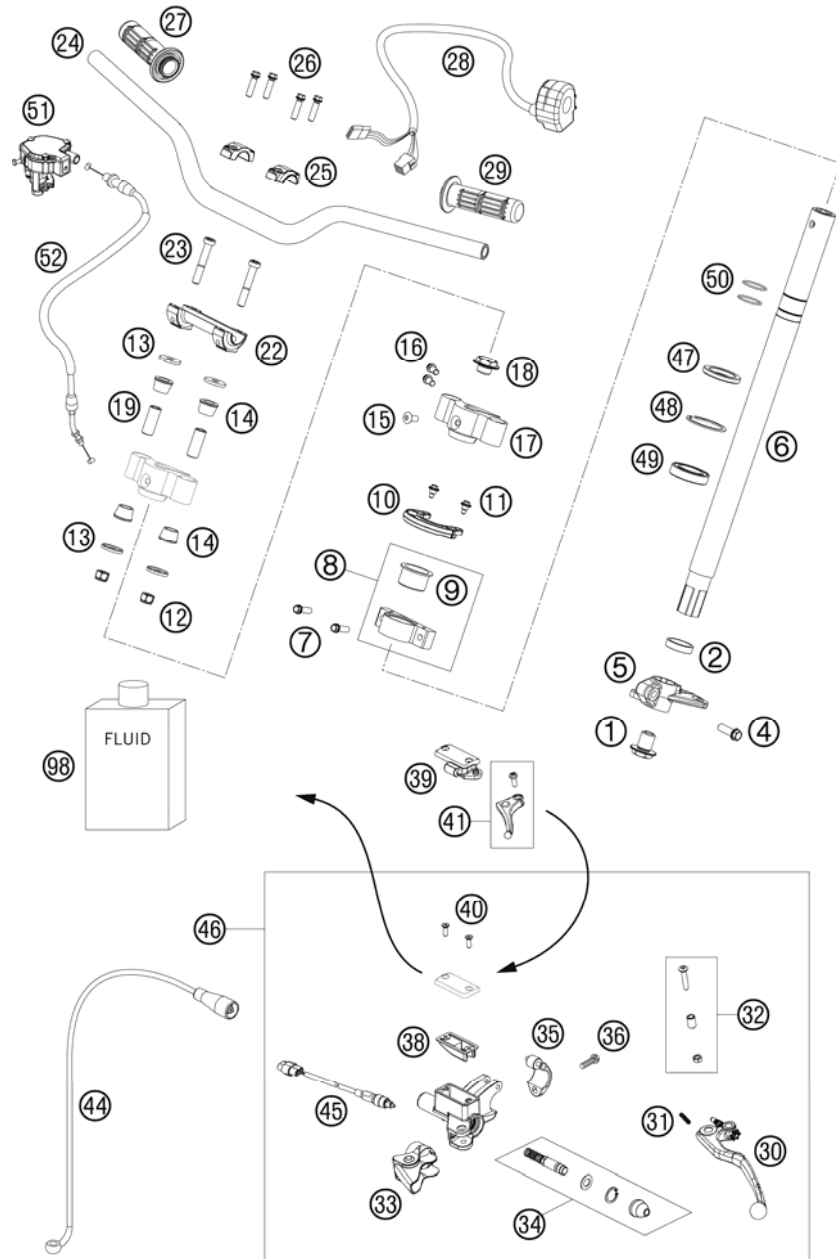


FIG	PART NUMBER	DESCRIPTION	QTY
41	59002047000	LEVER CPL. RACING 2000	1
44	83032063000	CLUTCH PIPE	1
45	58411049100	CLUTCH SWITCH 03	1
46	83002030000	MASTER CYLINDER CPL.	1
47	0760385570	SHAFT SEAL RING 38,5X55X7	1
48	0472055200	CIRCLIP DIN0472-55X2	1
49	0625060061	BALL BEARING 6006/32-2RS1	1
50	0770320015	O-RING 32,00X1,50 VITON	2
51	83002022000	THUMB THROTTLE	1
52	83002091000	THROTTLE CABLE ATV	1
98	50302036200	OIL FOR HYD. CLUTCH 75ML	1

088300210 / C088300210

* NEW PART

X AS REQUIRED

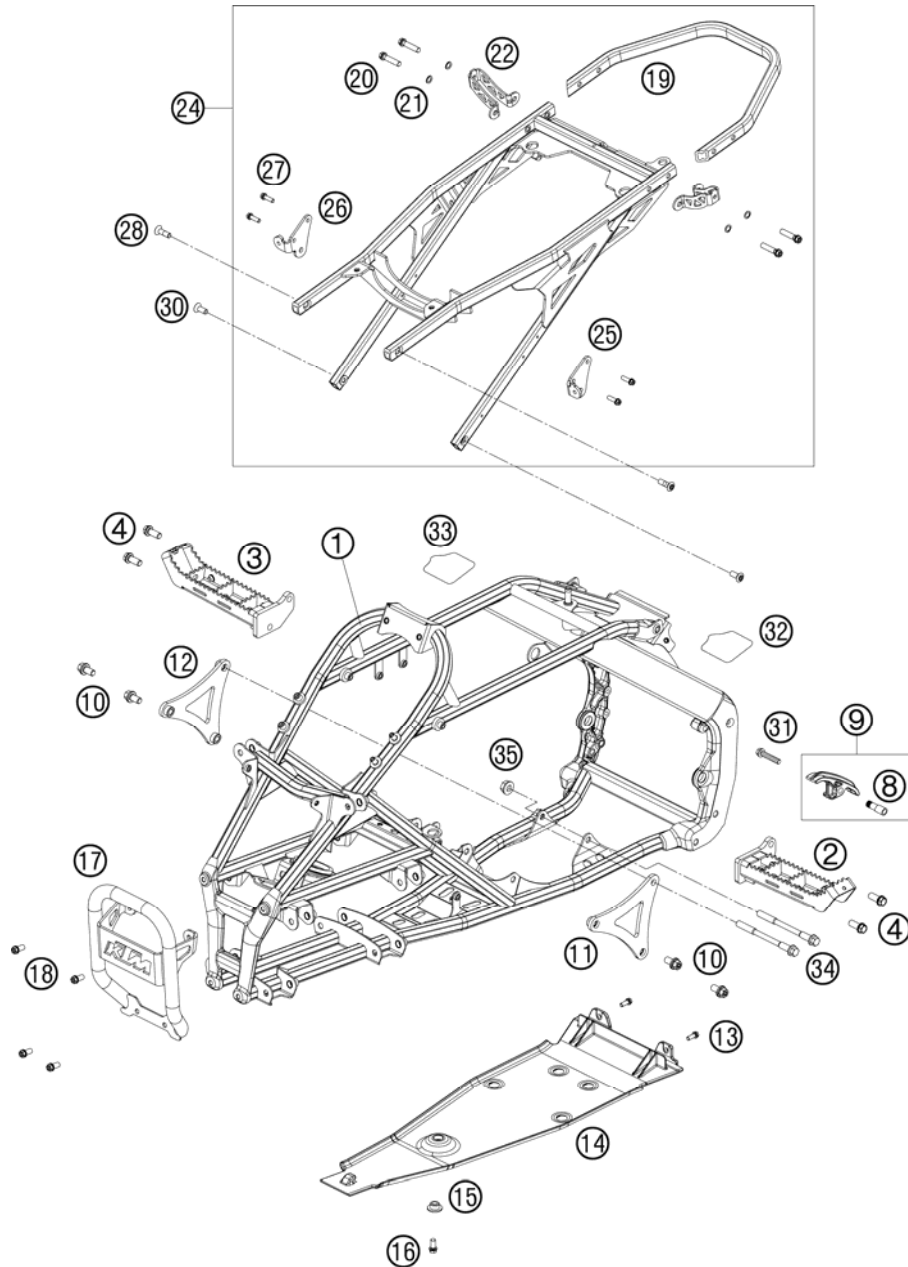


FIG	PART NUMBER	DESCRIPTION	QTY
1	8300300100030	FRAME ATV-XC "NC08" 2008	1
2	83003040000	FOOTREST CPL. L/S	1
3	83003041000	FOOTREST CPL. R/S	1
4	0025100246	COLLAR SCREW M10X24 TX	4
8	77303053051	BUSHING 8,2X10X22	1
9	83003053000	CHAIN SLIDING PIECE BELOW	1
10	0023100183	COLLAR SCREW M10X18 TX	4
11	83003013044	ENGINE SUPPORT L/S CPL.	1
12	83003113044	ENGINE SUPPORT R/S CPL.	1
13	59001092050	SPECIAL SCREW M6X12,5 WS=8	2
14	83003090000	FRAME PROTECTION BELOW	1
15	60007061000	BEARING BUSHING INSIDE 03	1
16	0025080206	HH COLLAR SCREW M8X20 TX40	1
17	8300300300030	FRONT BUMPER BLACK	1
18	0025080166	HH COLLAR SCREW M8X16 TX40	4
19	83003002010	SUB FRAME-BRACKET 07	1
20	0025080356S	HH COLLAR SCREW M8X35 TX40	4
21	36003014000	LOCK WASHER 8MM	4
22	83003002030	FENDER BRACKET	2
24	83003002044	SUB FRAME CPL. 08	1
25	83003002040	HEELGUARD FIXING L/S	1
26	83003002041	HEELGUARD FIXING R/S	1
27	0025060206	HH COLLAR SCREW M6X20 TX30	4
28	0019080266S	COUNTER-SUNK SCREW ISA45 M8X26	2
30	0019080206S	FLAT HEAD SCREW M. ISA45 M8X20	2
31	0025080456	HH COLLAR SCREW M8X45 TX40	1
32	83003099000	PROTECT.FILM F. FRAME L/S 2008	1
33	83003099100	PROTECT.FILM F. FRAME R/S 2008	1
34	59003013000	ENGINEBRAC.SCREW M10X123 WS=13	2
35	54310086100	SELF LOCKING NUT M10 CU WS=14	1

088300310 / C088300310

* NEW PART

X AS REQUIRED

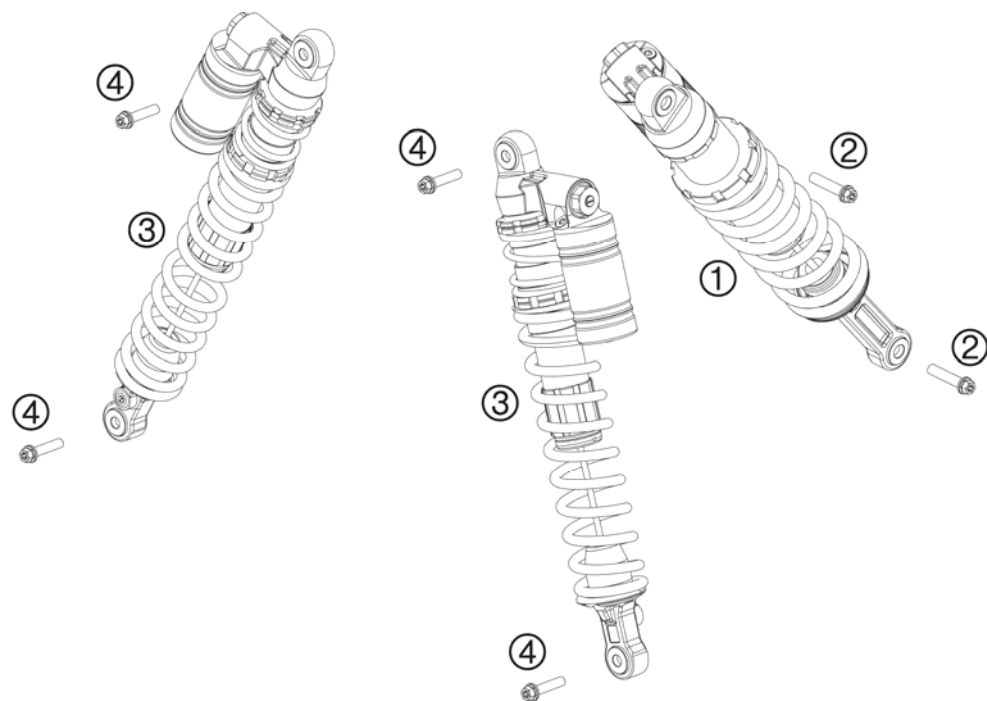


FIG	PART NUMBER	DESCRIPTION	QTY
1	83004010044	MONOSHOCK CPL. REAR	1
2	0015120556S	HH COLLAR M12X55 WS=13 06	2
3	83061050044	FRONT MONOSHOCK CPL.	2
4	0023100453	COLLAR SCREW M10X45 TX	4

088300410 / C088300410

* NEW PART

X AS REQUIRED

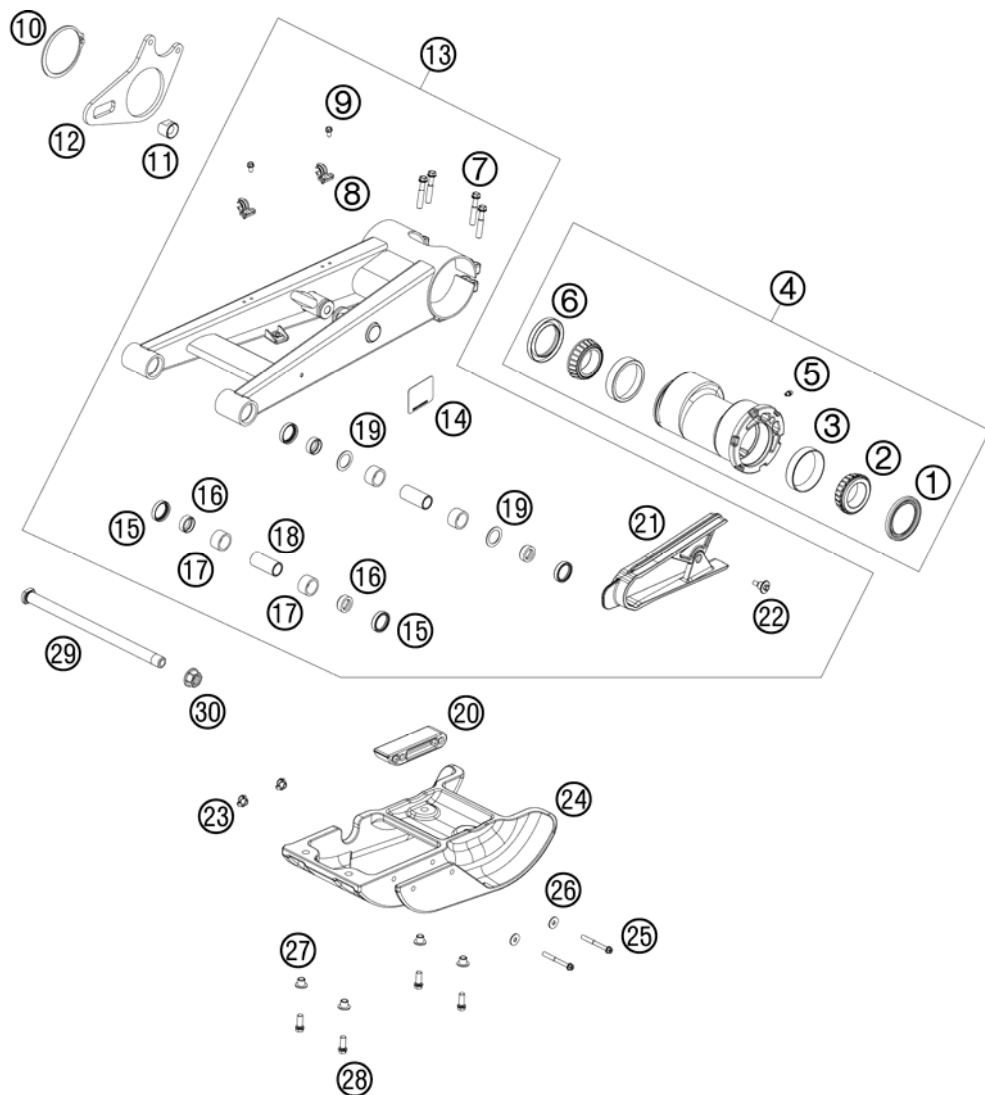


FIG	PART NUMBER	DESCRIPTION	QTY
1	83010040053	SHAFT SEAL RING 2"X2,75"X0,25"	1
2	83010040051	INNER RING 32008	2
3	83010040050	OUTER RING 32008	2
4	83010040033	REAR WHEEL EXCENTRIC CPL.	1
5	72003035000	GREASE FITTING M6 STRAIGHT	1
6	83010040052	SHAFT SEAL RING 2"X2,75"X0,313	1
7	0025080456	HH COLLAR SCREW M8X45 TX40	4
8	5461107610030	RET. CLAMP F. BRAKE HOSE BLACK	2
9	0009050103	SPECIAL SCREW M 5,0X10	2
10	0471780250	CIRCLIP DIN 471 78X2,5	1
11	83013052000	BRAKE THRUST BEARING	1
12	83013046100	BRAKE CALIPER SUPPORT PLATE	1
13	83004030044	SWING ARM CPL. 2008	1
14	83004030090	STICKER FOR CHAIN TENSION	1
15	0760253270	SHAFT SEAL RING 25X32X7	4
16	54804034000	BUCKET F. SHAFT SEAL RING 03	4
17	58033097000	NEEDLE BEARING HK 2216	4
18	54804032000	BUSHING SLEEVE F. SWING ARM 03	2
19	54603036000	STOP DISK 22,2X31,7X1	2
20	83004070000	CHAIN GUIDE	1
21	83004066000	CHAIN SLIDING GUARD	1
22	60035001000	SCREW RADIATOR BRACKET M6 03	1
23	83004046060	DRIVE-IN NUT FOR GUARD	2
24	83004046000	ASM-GUARD	1
25	0025060556	HH COLLAR SCREW M6X55 TX30	2
26	0021060003	WASHER DIN9021-A 6,4	2
27	83004046050	BUSHING F. SWINGPROTECTION	4
28	0025080206	HH COLLAR SCREW M8X20 TX40	4
29	83004037000	SWING ARM BOLT	1
30	54804038000	SELF LOCK.NUT M16X1,5 WS=19 03	1

088300490 / C088300490

* NEW PART

X AS REQUIRED

EXHAUST SYSTEM

525 XC ATV 2008

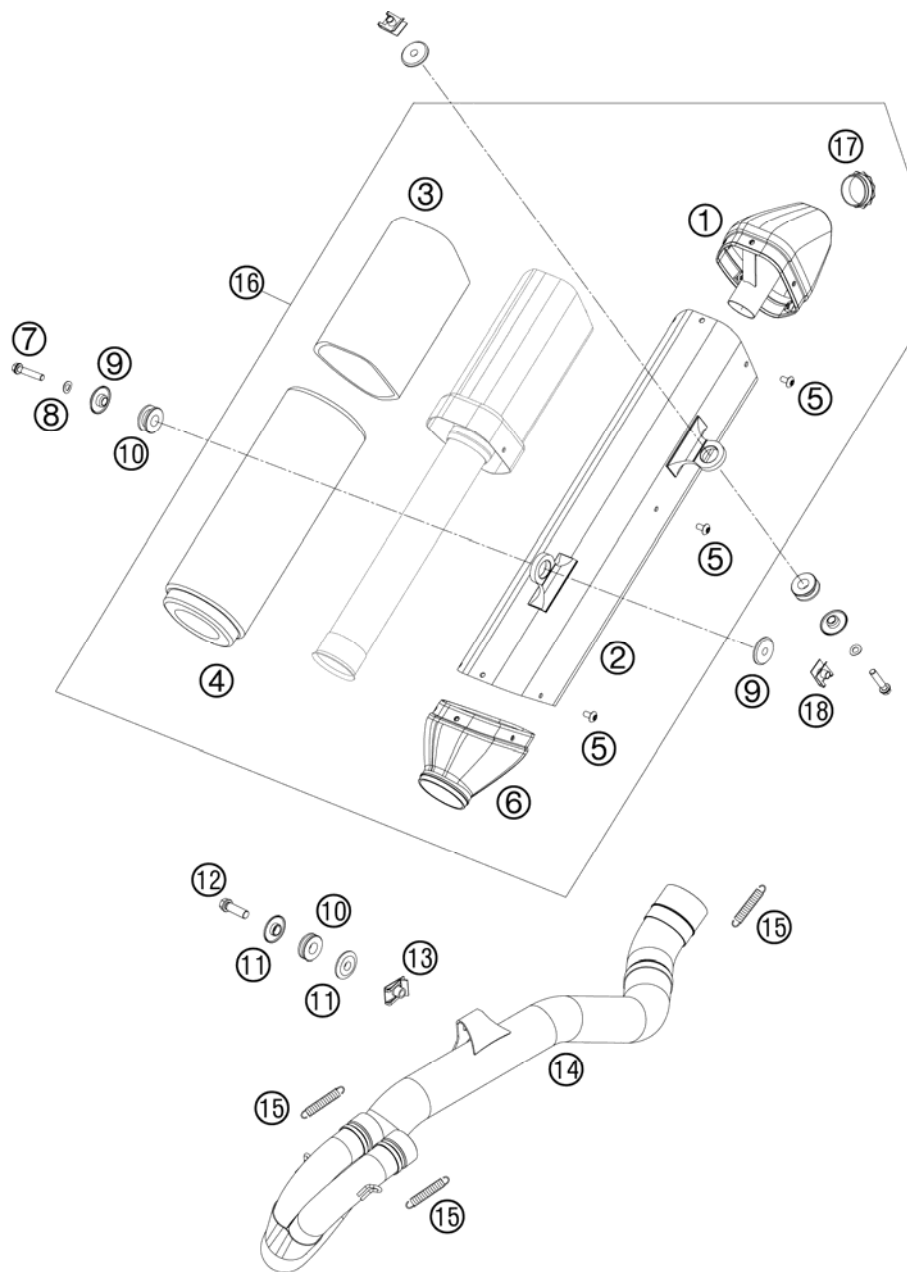


FIG	PART NUMBER	DESCRIPTION	QTY
1	83005082070	ENDCAP SPARKY ATV 08	1
2	83005082050	SILENCER HOUSING SPARKY ATV	1
3	77005081016	STUFFING YARN EXC-F 07	1
4	58705078350	STUFFINGYARN 350 GRAMM '99	1
5	58605083010	SCREW TORX M5X10 05	12
6	83005082060	CONNECTING CAP CPL. ATV	1
7	0025060306	HH COLLAR SCREW M6X30 TX30	2
8	0137060003	SPRING WASHER DIN0137-B 6	2
9	54605069000	BUSHING 7,5X12X28X7,8 '96	4
10	54605068000	EXHAUST BRACKET RUBBER BLACK	3
11	59405069000	BUSHING FOR EXHAUST SUPPORT 03	2
12	0025080256	HH COLLAR SCREW M8X25 TX40	1
13	54603048000	RANGE CHANGE METAL NUT M8	1
14	83005007000	EXHAUST MANIFOLD R/S CPL.	1
15	50305016000	TEN.SPRING L=62MM EY.MOVEABLE	3
16	83005082000	EXH. SIL. CPL. R/S ATV SPARKY	1
17	77005081055	SIL. ELEMENT EXC-F 07	1
18	54603048100	RANGE CHANGE METAL NUT M6	2

088300510 / C088300510

* NEW PART

X AS REQUIRED

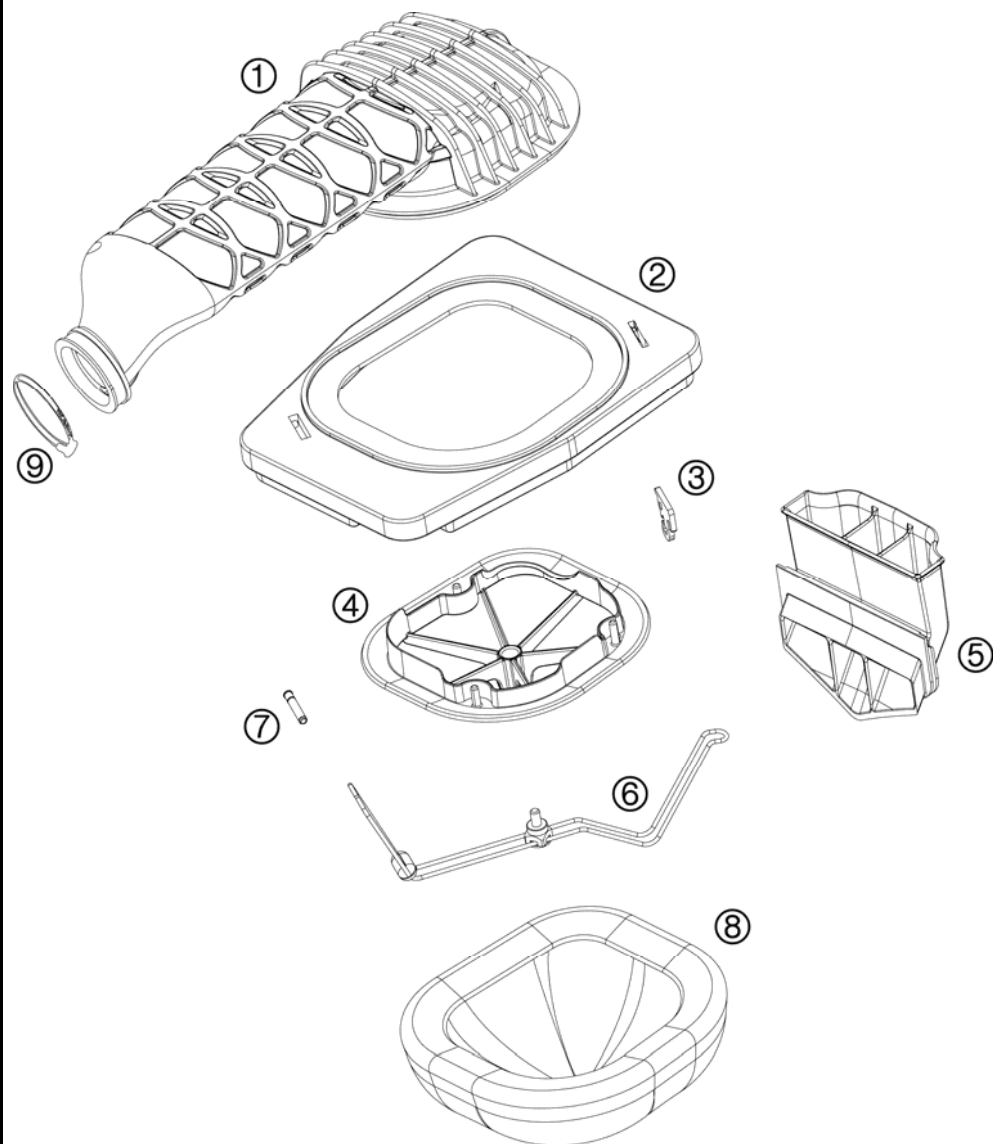


FIG	PART NUMBER	DESCRIPTION	QTY
1	83006026000	CARBURETOR CONNECTION BOOT	1
2	83008072030	AIR FILTER BOX COVER	1
3	77306019000	FASTEN. DEVICE FILTER S. SX 07	1
4	77306016000	FILTER CARRIER 4S SX 07	1
5	83006024000	INTAKE MANIFOLD	1
6	83006017000	AIR FILTER SUPPORT BRACKET CPL	1
7	77306018000	FILTER SUPPORT BUSH 07	1
8	77306015000	AIR FILTER 07	1
9	51006027000	HOSE CLAMP 50-70MM	1

088300610 / C088300610

* NEW PART

X AS REQUIRED

TANK, SEAT, COVER

525 XC ATV 2008

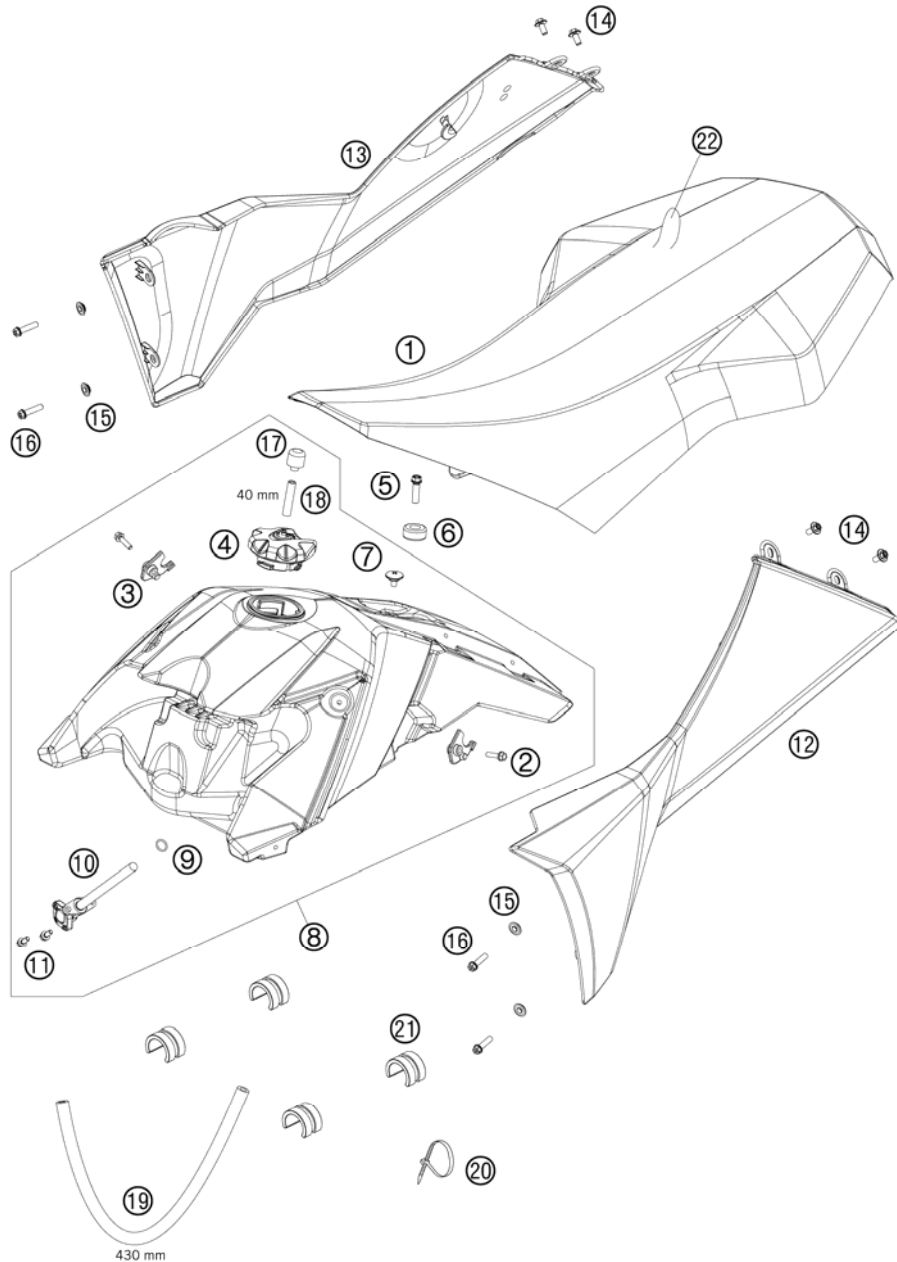


FIG	PART NUMBER	DESCRIPTION	QTY
1	83007040000	SEAT ATV	1
2	0015050203	HH COLLAR SCREW M 5X20 WS=8	2
3	83007013050	SPOILER BRACKET	2
4	78007008044	TANK PLUG CPL. EXC 08	1
5	0025060166	HH COLLAR SCREW M6X16 TX30	1
6	50307014000	TANK ROLLER 12X26X12 '98	1
7	58407011100	SCREW FOR SEAT M6X11,5/8	1
8	83007013044	FUEL TANK CPL.	1
9	55007006200	O-RING 11X1,8 NBR 70	1
10	54807004000	GAS COCK ON/OFF/RES 03	1
11	0015050123	HH COLLAR SCREW M 5X12 WS=8	2
12	8300805000030	RADIATOR SPOILER L/S BLACK	1
13	8300805100030	RADIATOR SPOILER R/S BLACK	1
14	0024060106	HH COLLAR SCREW M6X10 TX30	4
15	50308053000	BUSH FOR SPOILER 6X11X16X7,5	4
16	0025060206	HH COLLAR SCREW M6X20 TX30	4
17	80007030000	NIPPLE FOR VENTILATION HOSE 04	1
18	58307016001	FUEL HOSE VITON 6X1,5 PER/M	x
19	83007016000	FUEL HOSE	1
20	44011076200	CABLE TIE 200/3,6MM BLACK	x
21	61007014000	SPACER FUEL TANK 05	4
22	83007040050	SEAT COVER	1

088300710 / C088300710

* NEW PART

X AS REQUIRED

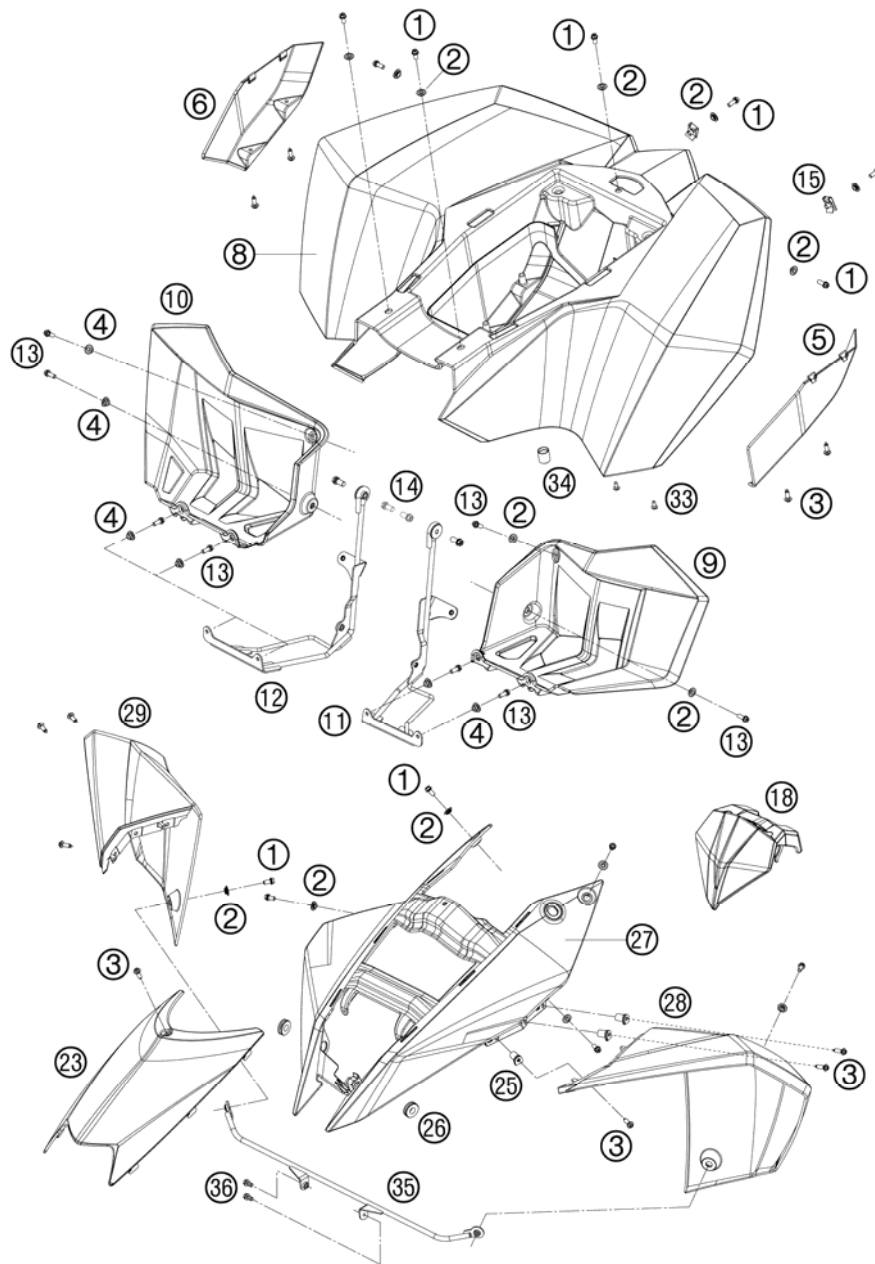


FIG	PART NUMBER	DESCRIPTION	QTY
1	0025060126	HH COLLAR SCREW M6X12 TX30	13
2	50308052000	BUSH FOR SPOILER 6X11X16X5 MM	15
3	0017060203	EJOT PT SCREW K60X20 WS=6	11
4	50308053000	BUSH FOR SPOILER 6X11X16X7,5	6
5	8300807201004	AIR INTAKE L/S ORANGE	1
6	8300807202004	AIR INTAKE R/S ORANGE	1
8	8300807204404	REAR FENDER+AIR INTAKE ORANGE	1
9	8300805500030	HEEL GUARD L/S BLACK	1
10	8300805600030	HEEL GUARD R/S BLACK	1
11	83008057000	HEELGUARD FIXING L/S	1
12	83008058000	HEELGUARD FIXING R/S	1
13	0025060166	HH COLLAR SCREW M6X16 TX30	8
14	0025080166	HH COLLAR SCREW M8X16 TX40	2
15	54603048100	RANGE CHANGE METAL NUT M6	2
18	83014070000	INSTRUMENTS BRACKET	1
23	8300800200030	FRONT COVER BLACK	1
25	83008010060	CLIP NUT EASY BOSS 60X2X7	6
26	41001052000	RUBBER SLEEVE D=12MM	2
27	8300800100104	FRONT PLASTICPART ORANGE	1
28	8300801000004	FRONT FENDER L/S ORANGE	1
29	8300801100004	FRONT FENDER R/S ORANGE	1
33	0016050121	SCREW FOR PLASTIC 50X12	2
34	83006005000	AIR FILTER BOX COVER	1
35	83008010050	FENDER-FRAME CONNECTION	1
36	0025060106	HH COLLAR SCREW M6X10 TX30	2

088300810 / C088300810

* NEW PART

X AS REQUIRED

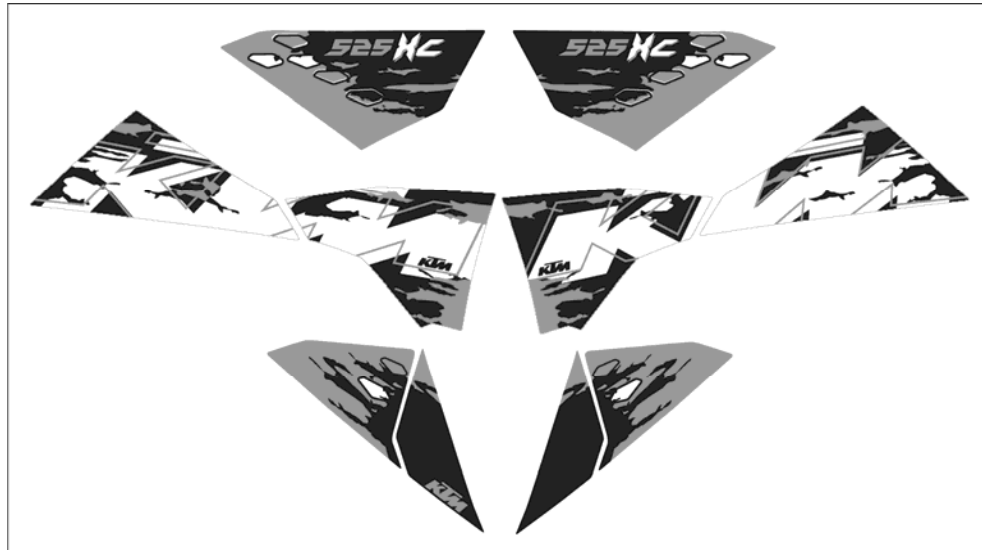
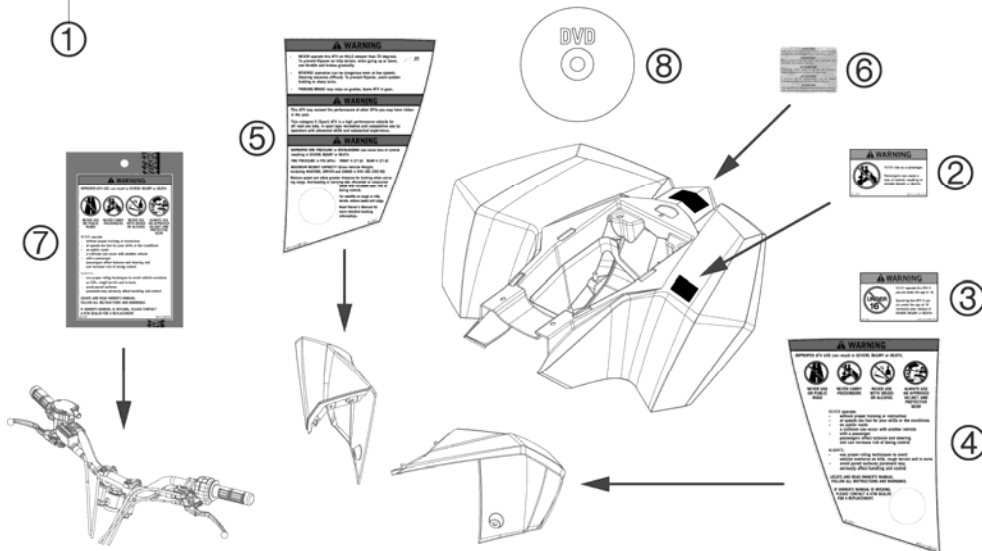


FIG	PART NUMBER	DESCRIPTION	QTY
1	83008099000	DECAL SET 525 ATV XC 2008	1
2	83003098300	STICKER "WARNING LABEL 4"	1
3	83003098200	STICKER "WARNING LABEL 3"	1
4	83003098000	STICKER "WARNING LABEL 1"	1
5	83003098100	STICKER "WARNING LABEL 2"	1
6	50307098000	STICKER "OWNERS MANUAL"	1
7	83003098400	SAFETY PLAQUETTE	1
8	3212081	ATV SAFETY TRAINING DVD	1



088300831 / C088300831

* NEW PART

X AS REQUIRED

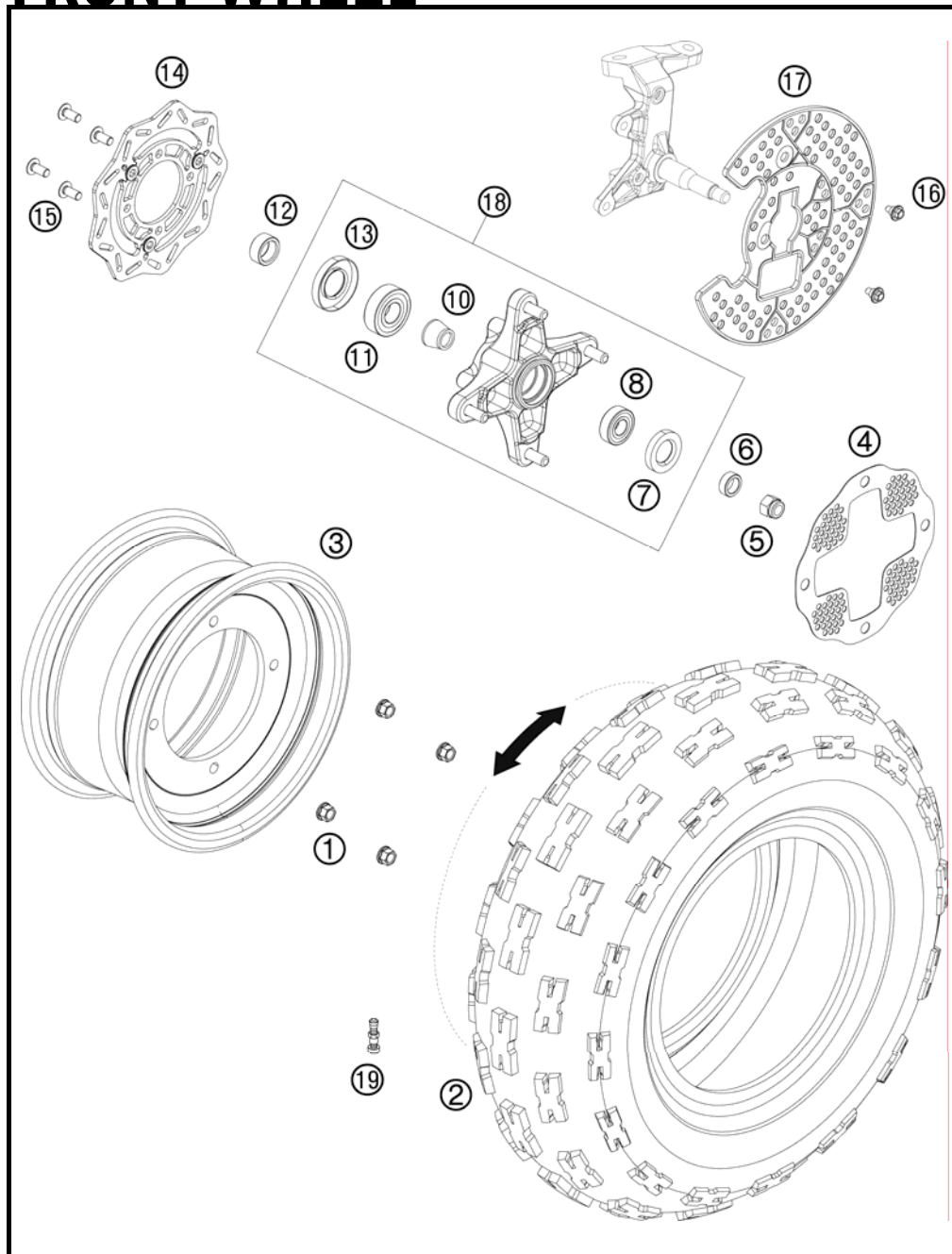


FIG	PART NUMBER	DESCRIPTION	QTY
1	58414030000	HH COLLAR NUT M10X1,25 WS=13	8
2	83009074000	TIRE FRONT 21X7X10 4PR	2
3	83009070000	RIM FRONT 10X5-5	2
4	83009066000	OUTER BRAKE DISK PROTECTOR	2
5	0985120003	SELF LOCKING NUT DIN0985-M12	2
6	83009013000	SPACER BUSHING	2
7	0760224070	SHAFT SEAL RING BSL 22X40X7NBR	2
8	0625062028	BALL BEARING 6202-2RSH/C3	2
10	83009014000	BEARING SPACER BUSHING	2
11	0625062047	BALL BEARING 6204-2RSH/C3	2
12	83009015000	SPACER BUSHING	2
13	0760285270	SHAFT SEAL RING BSL 28X52X7NBR	2
14	83009060000	BRAKE DISK	2
15	83009060050	SPECIAL SCREW F. BRAKE DISK	8
16	0025080206	HH COLLAR SCREW M8X20 TX40	4
17	83009065000	BRAKE DISK PROTECTOR	2
18	83009010044	FRONT WHEEL HUB CPL. SP 2008	2
19	83009076000	VALVE	2

088300910 / C088300910

* NEW PART

X AS REQUIRED

REAR WHEEL

525 XC ATV 2008

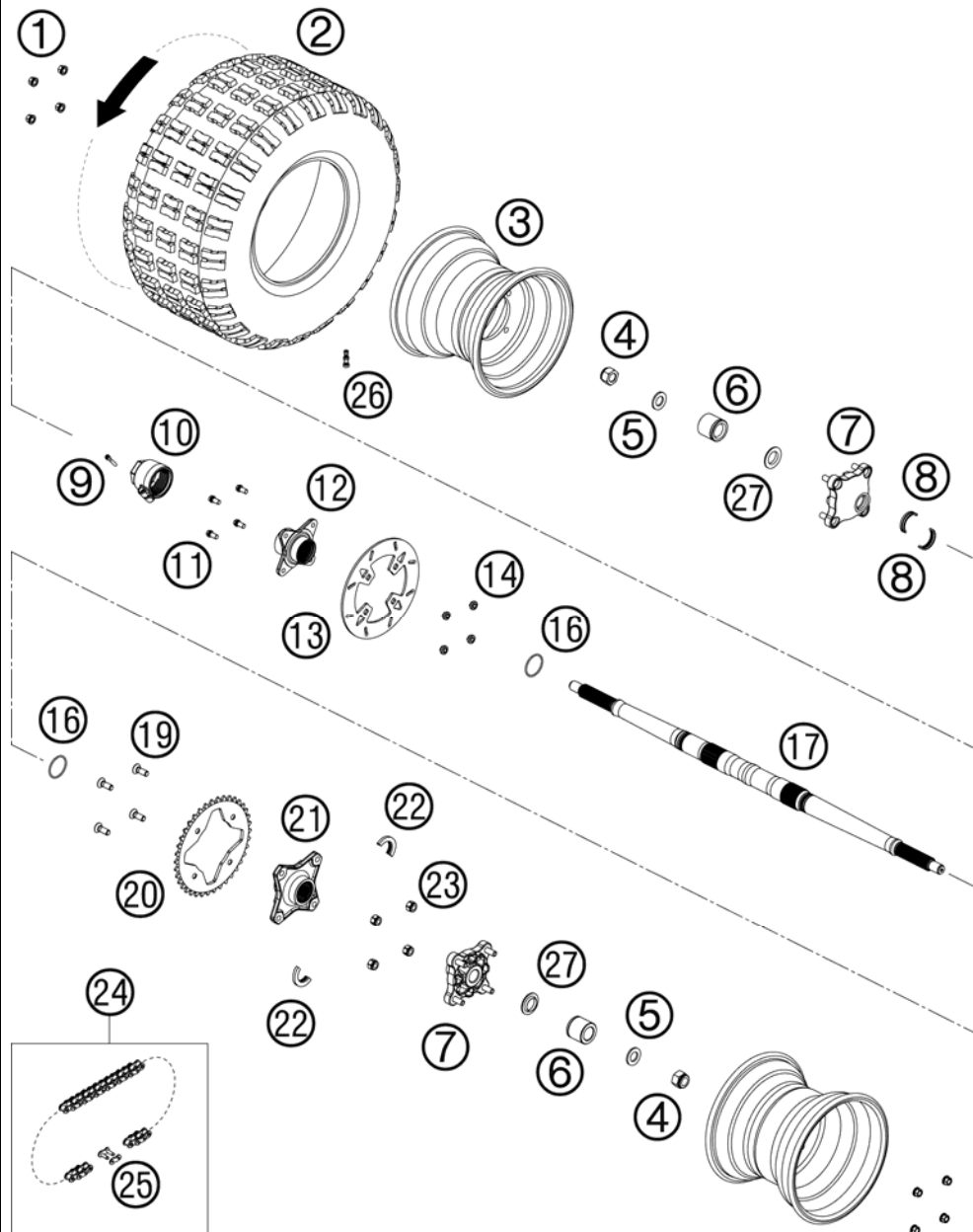


FIG	PART NUMBER	DESCRIPTION	QTY
1	58414030000	HH COLLAR NUT M10X1,25 WS=13	8
2	83010074000	TIRE REAR 20X11-9 4PR	2
3	83010070000	RIM REAR 8X9"	2
4	0985181503	SELF LOCK.NUT DIN0985-M18X1,5	2
5	0125190003	WASHER DIN0125 A 19	2
6	83010013000	SPACER BUSHING	2
7	83010069044	REAR WHEEL HUB CPL.	2
8	83010063000	CIRCLIP REAR AXLE	2
9	0912060303	AH SCREW DIN0912-M 6X30	1
10	83010064000	TENSION NUT	1
11	0025080166	HH COLLAR SCREW M8X16 TX40	4
12	83010062000	BRAKE DISK SUPPORT 08	1
13	83010060000	BRAKE DISK REAR D=200 MM	1
14	83010060050	SPECIAL NUT BRAKE DISK FIXING	4
16	0770039026	O-RING 39,34X2,62 NBR 70 SH	2
17	83010016000	REAR WHEEL AXLE	1
19	60003004027	FL.HEAD SCREW M10X1,25 L=27 03	4
20	83010051038	SPROCKET 38T	x
21	83010050000	SPROCKET SUPPORT 08	1
22	83010063100	CIRCLIP REAR AXLE SPROCKET	2
23	0982101253	SELF LOCK.NUT M10X1,25	4
24	50310800118	CHAIN Z-RING 5/8X1/4"	1
25	50310366000	CONNECTING LINK F. 50310800118	1
25	50310866000	MASTER LINK FOR 50310800118	x
26	83009076000	VALVE	2
27	83010014000	CONUSRING REAR AXLE	2

088301010 / C088301010

* NEW PART

X AS REQUIRED

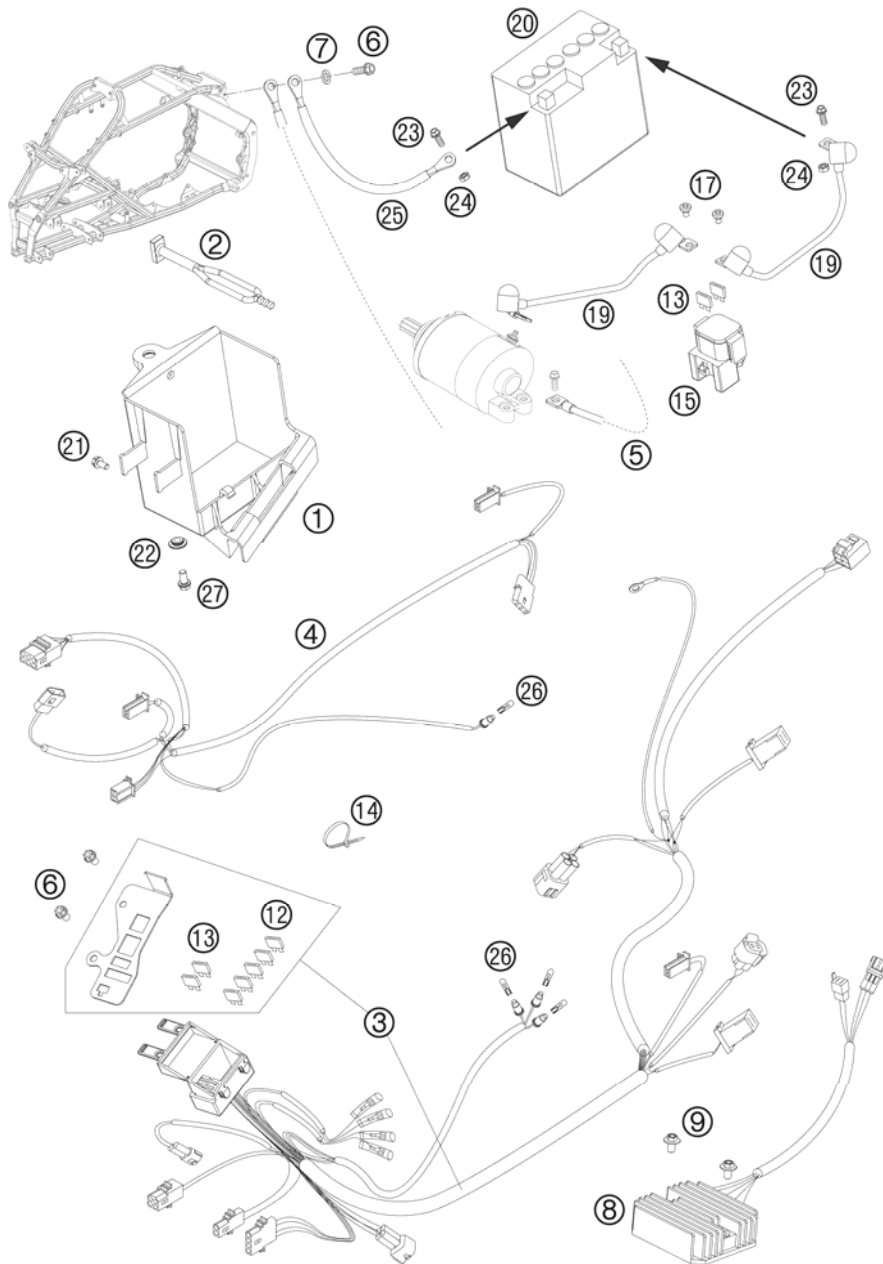


FIG	PART NUMBER	DESCRIPTION	QTY
1	83011055000	BATTERY BOX	1
2	50303018000	RUBBER L=145MM	1
3	83011075000	MAIN WIRING HARNESS ATV XC2008	1
4	83011079000	LIGHTING WIRING HARNESS 08	1
5	83011097100	GROUND CABLE 2	1
6	0025060166	HH COLLAR SCREW M6X16 TX30	3
7	58411098100	CONTACT WASHER M6 VSV-K6	1
8	83011034000	VOLTAGE REGULATOR	1
9	0025060206	HH COLLAR SCREW M6X20 TX30	2
12	75011088010	FUSE 10A 07	5
13	75011088015	FUSE 15A 07	4
14	44011076100	CABLE TIE 100/2,5MM BLACK	x
14	44011076200	CABLE TIE 200/3,6MM BLACK	x
15	58211058000	STARTER RELAY 12V '99	1
17	0902060083	AH OVAL SCREW ISO 7380 M 6X8	2
19	83011059000	STARTER CABLE	2
20	58511053000	BATTERY 12V 4AH YTX5L-BS	1
21	0009050103	SPECIAL SCREW M 5,0X10	1
22	50308052000	BUSH FOR SPOILER 6X11X16X5 MM	1
23	0025060106	HH COLLAR SCREW M6X10 TX30	2
24	0934060003	HEXAGON NUT DIN0934-M 6	2
25	83011097000	GROUND CABLE 1	1
26	49111425000	BULB 12V 1,2W (W2X4,6D)	4
27	0025060126	HH COLLAR SCREW M6X12 TX30	1

088301110 / C088301110

* NEW PART

X AS REQUIRED

HAND BRAKE CYLINDER

525 XC ATV 2008

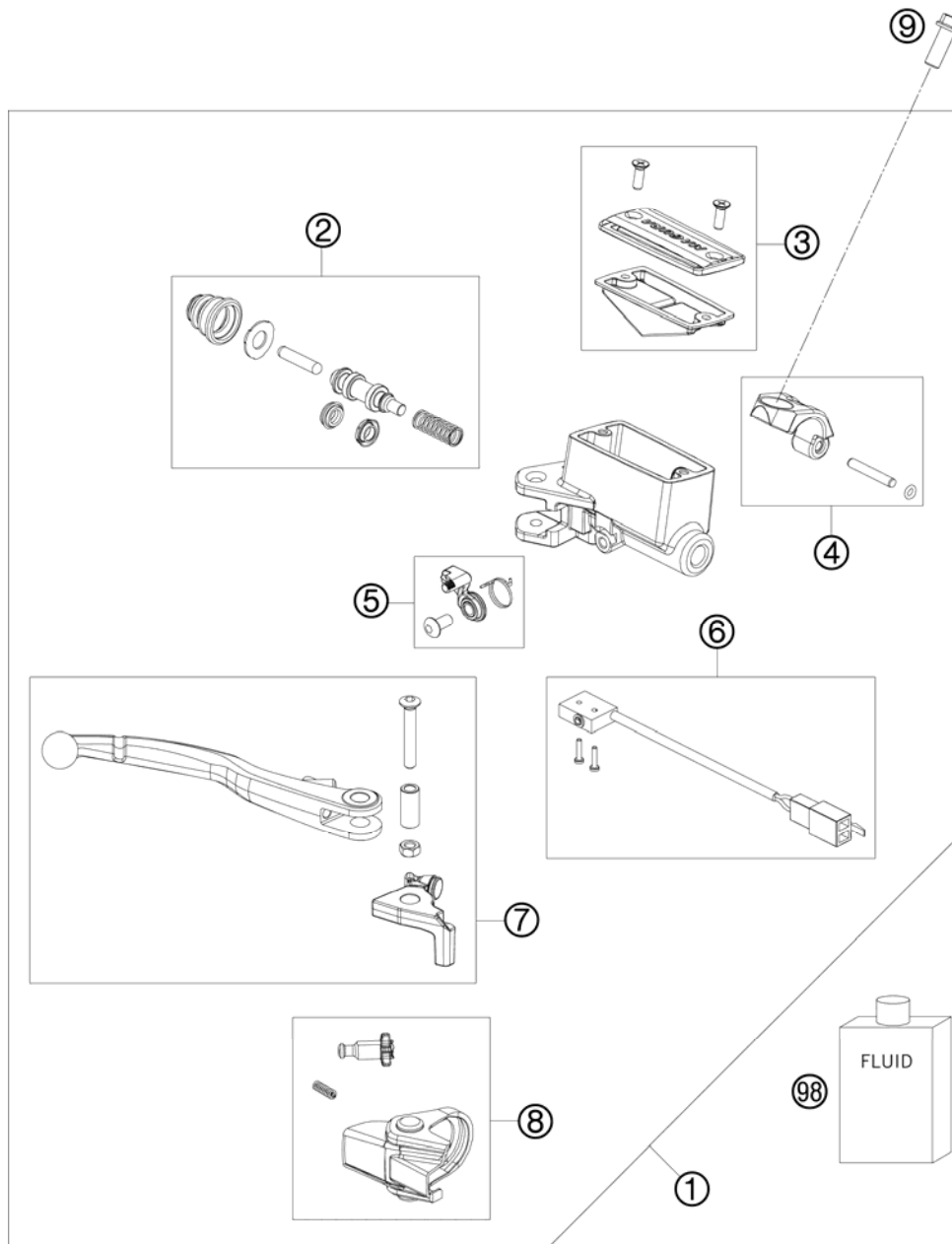


FIG	PART NUMBER	DESCRIPTION	QTY
1	83013001000	HAND BRAKE CYL. MAGURA 12MM	1
2	83013008000	REPAIR KIT PISTON MAGURA 12MM	1
3	83013003000	COVER, MEMBRANE, SCREW	1
4	83013005000	CLAMP, CYL. PIN, O-RING	1
5	83013009000	ARRESTING LEVER, SPRING, SCREW	1
6	50311051100	BRAKE LIGHT SWITCH REAR '98	1
7	83013002000	HAND-BRAKE LEVER CPL. MAGURA	1
8	83013004000	CAP, ADJUSTING SCREW, SPRING	1
9	0025060166	HH COLLAR SCREW M6X16 TX30	1
98	00062030000	BRAKE FLUID DOT5.1 0,25L	1

088301310 / C088301310

* NEW PART

X AS REQUIRED



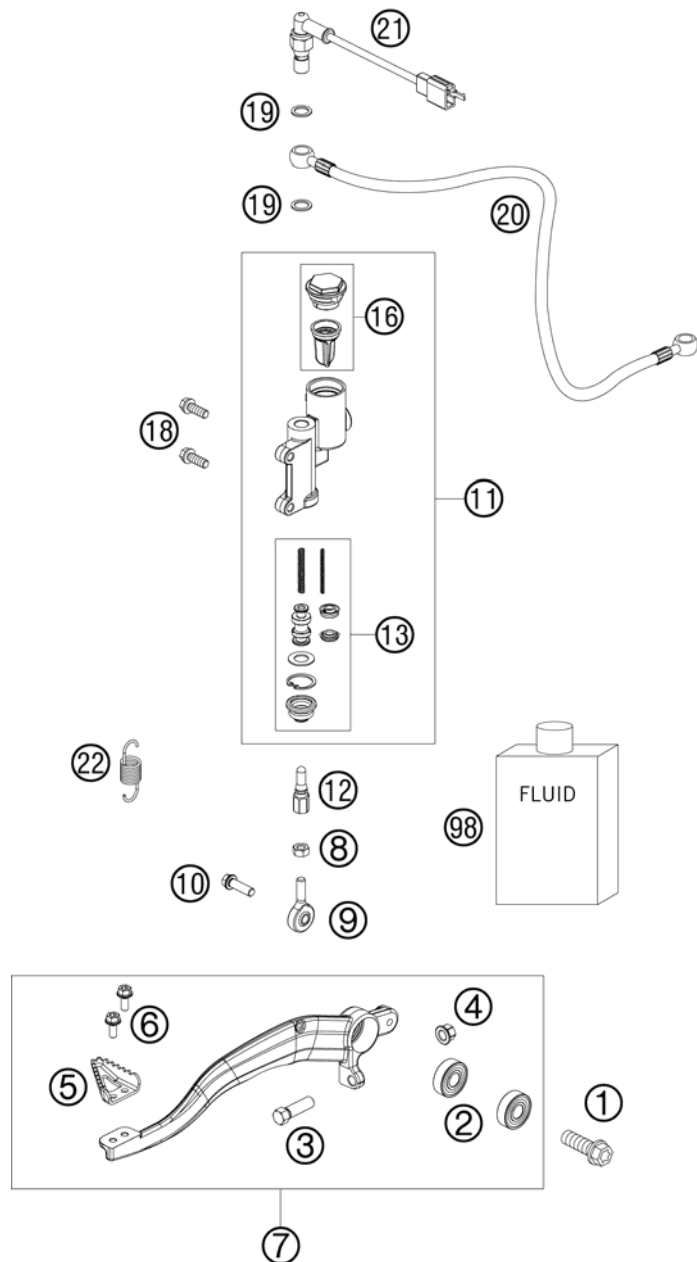


FIG	PART NUMBER	DESCRIPTION	QTY
1	0025100306	COLLAR SCREW M10X30 TX	1
2	0625060002	BALL BEARING SKF 6000-2RS1	2
3	59001037000	SPECIAL SCREW M8X26 WS=10	1
4	46030045000	COLLAR NUT M8 WS=10	1
5	60013051000	STEP PLATE FOOT BRAKE LEVER 03	1
6	0025050126	HH COLLAR SCREW M5x12 TX30	2
7	83013050044	FOOT BRAKE LEVER CPL. ATV	1
8	0985060003	SELF LOCK. NUT DIN0985-M 6	1
9	54813055000	SWIVEL HEAD KA6 03	1
10	0025060206	HH COLLAR SCREW M6X20 TX30	1
11	83013060000	FOOT BRAKE CYL. MAGURA 13MM	1
12	83013056000	PUSH ROD	1
13	83013061000	REPAIR KIT PISTON MAGURA 13 MM	1
16	83013062000	COVER, MEMBRANE MAGURA	1
18	0025060166	HH COLLAR SCREW M6X16 TX30	2
19	59413013050	COPPER GASKET	2
20	83013070000	BRAKE HOSE REAR 630MM	1
21	50311051100	BRAKE LIGHT SWITCH REAR '98	1
22	83003062000	RETURN SPRING F. BRAKE LEVER	1
98	00062030000	BRAKE FLUID DOT5.1 0,25L	1

088301330 / C088301330

* NEW PART

X AS REQUIRED

BRAKE CALIPER FRONT

525 XC ATV 2008

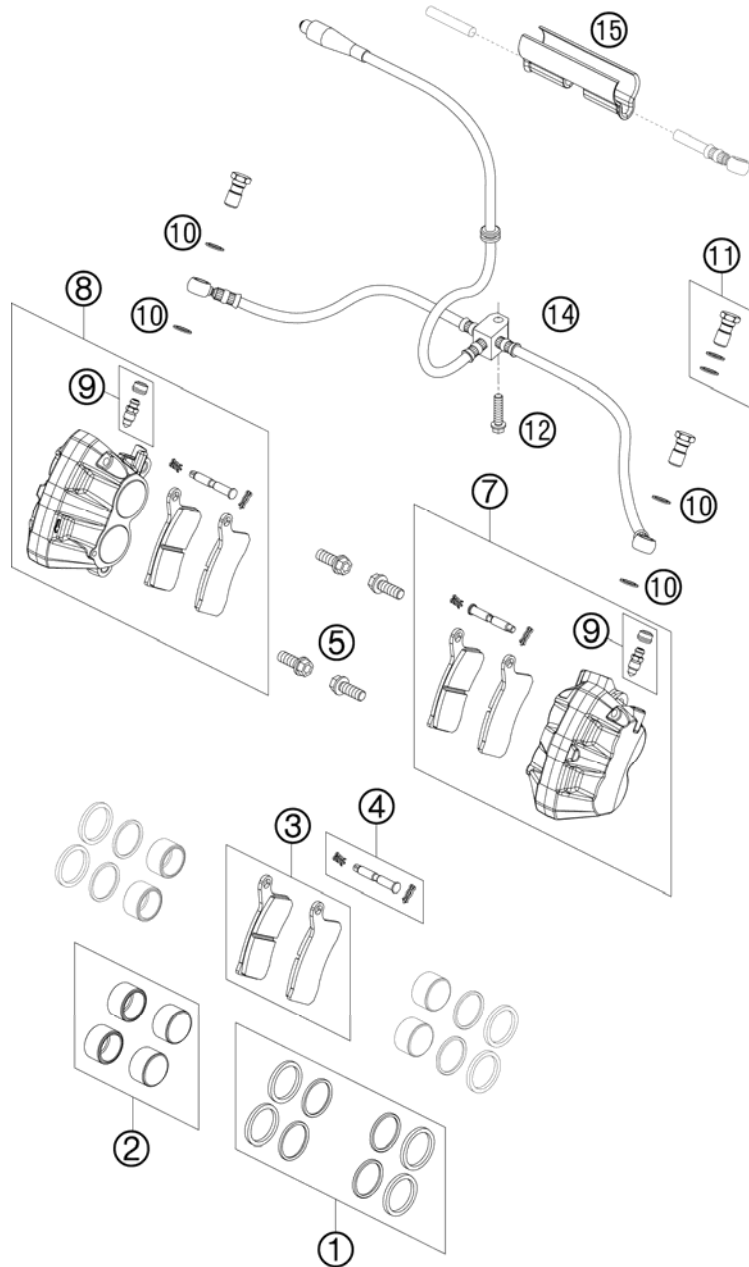


FIG	PART NUMBER	DESCRIPTION	QTY
1	83013021000	SEALING RING 8X MAGURA 26MM	1
2	83013019000	PISTON KIT 4X MAGURA 26MM	1
3	83013030100	BRAKE PAD SET FRONT ORGANIC	2
4	83013017000	SET - BOLT 1X, PIN 2X	2
5	0025080206	HH COLLAR SCREW M8X20 TX40	4
7	83013015000	CALIPER FRONT L/S MAGURA 26MM	1
8	83013016000	CALIPER FRONT R/S MAGURA 26MM	1
9	54732064000	BLEEDER SCREW WITH CAP	2
10	59413013050	COPPER GASKET	4
11	59032062000	HOLLOW SCREW + COPPER GASKET	2
12	0025060256	HH COLLAR SCREW M6X25 TX30	1
14	83013012000	BRAKE PIPE FRONT 790 2X610MM	1
15	83013012050	BRAKE LINE GUIDE	2

088301360 / C088301360

* NEW PART

X AS REQUIRED

BRAKE CALIPER REAR

525 XC ATV 2008

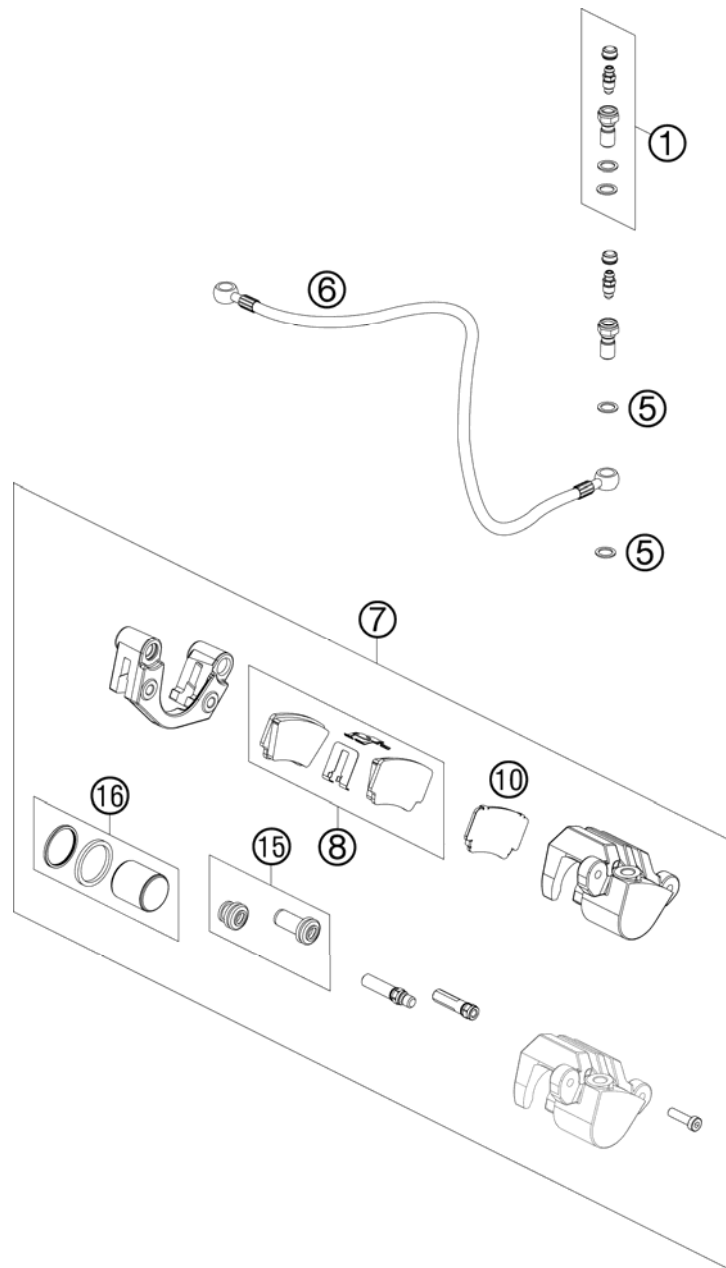


FIG	PART NUMBER	DESCRIPTION	QTY
1	50332062000	HOLLOW SCREW CPL. M 10X1 '98	1
5	59413013050	COPPER GASKET	2
6	83013070000	BRAKE HOSE REAR 630MM	1
7	83013080000	BRAKE CALIPER MAGURA 28MM	1
8	83013090100	BRAKE PADS REAR ORGANIC	1
10	83013089000	ISOLATOR CPL.	1
15	83013084000	CUP SET	1
16	83013081000	REPAIR KIT PISTON MAGURA 28MM	1

088301390 / C088301390

* NEW PART

X AS REQUIRED

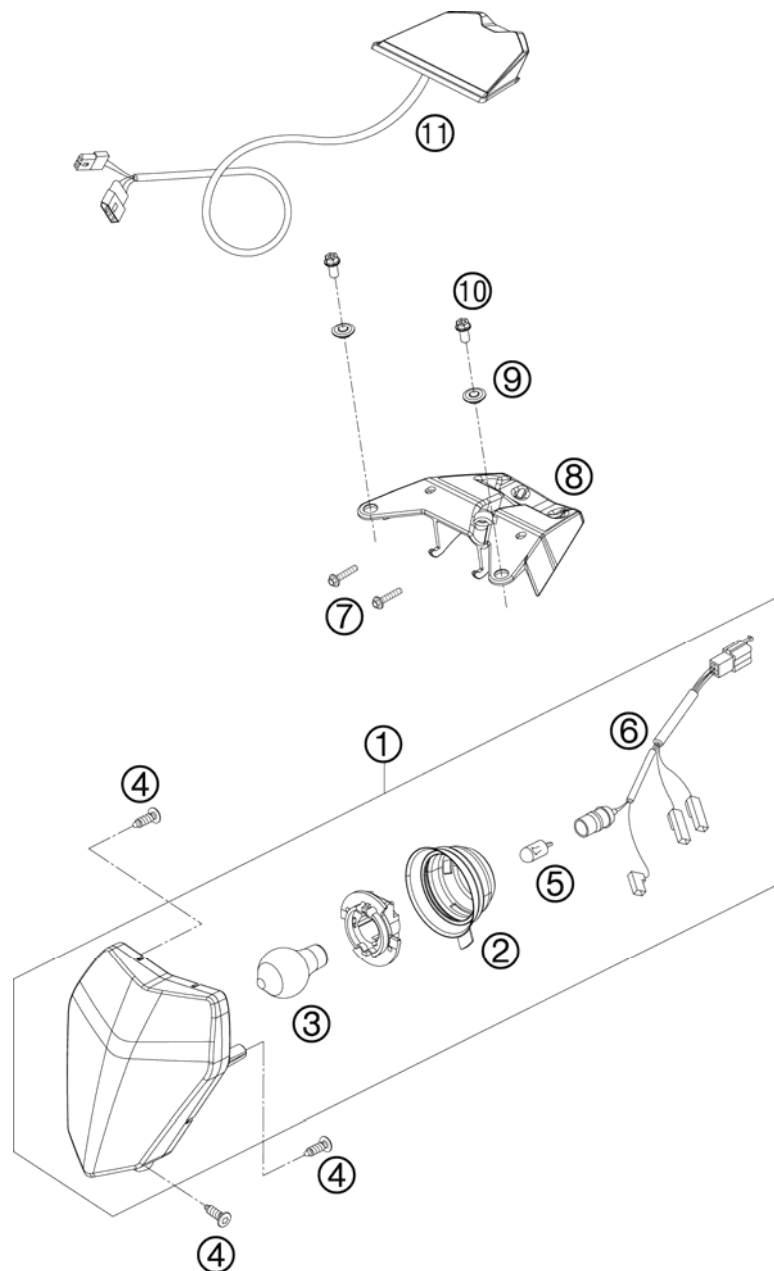


FIG	PART NUMBER	DESCRIPTION	QTY
1	83014001000	HEADLIGHT ATV	1
2	54814001050	RUBBER CAP FOR HEAD LIGHT 05	1
3	44111038000	BILUX-BULB 12V 35/35W BA20D	1
4	0081050181	SCREW FOR PLASTIC K50X18 T20	3
5	49011435100	BULB 12V 5W (W2,1X9,5D) PHIL.	1
6	54811001050	CABLE FOR HEAD LIGHT 2005	1
7	0017060203	EJOT PT SCREW K60X20 WS=6	2
8	83008013050	TAILLIGHT SUPPORT	1
9	50308052000	BUSH FOR SPOILER 6X11X16X5 MM	2
10	0025060126	HH COLLAR SCREW M6X12 TX30	2
11	83014040000	TAILLIGHT ATV	1

088301410 / C088301410

* NEW PART

X AS REQUIRED

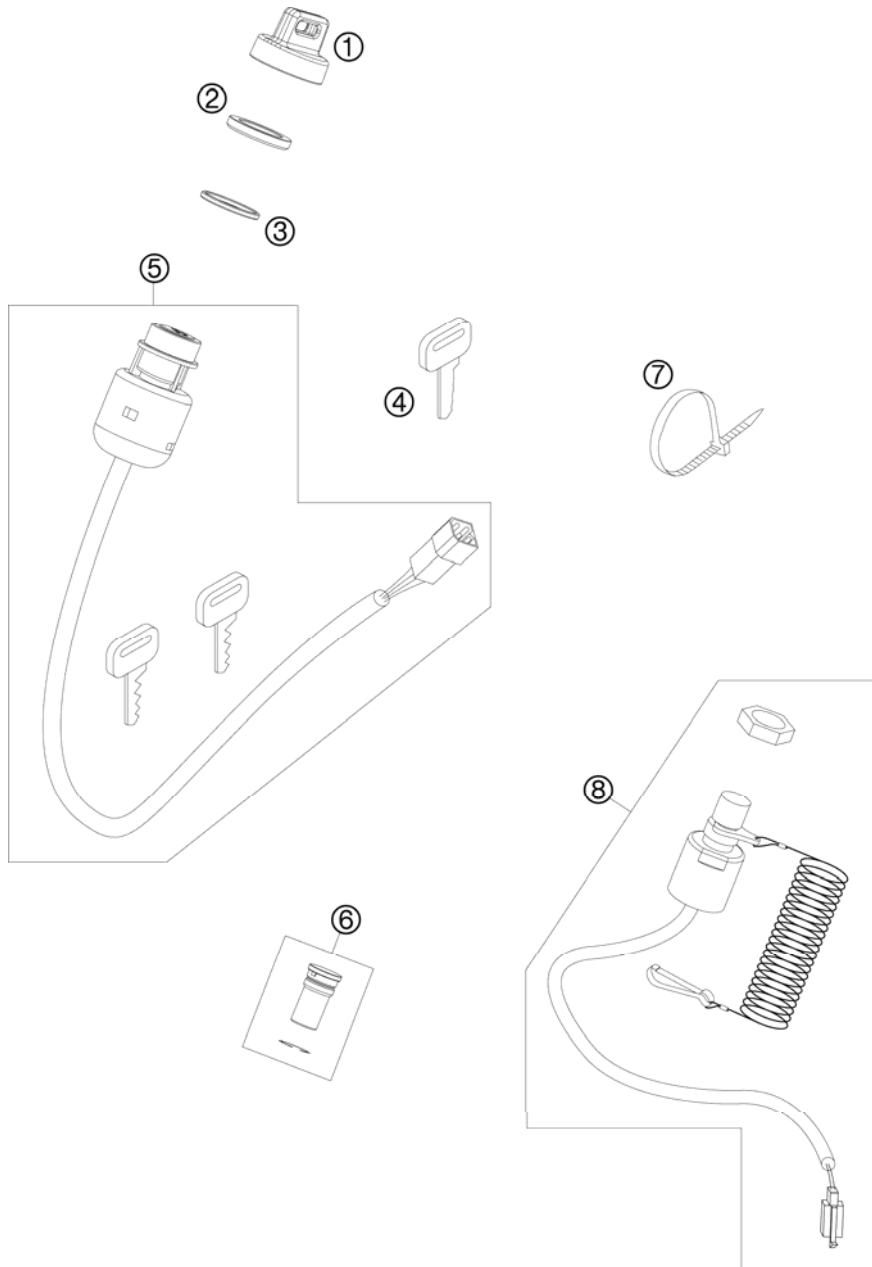


FIG	PART NUMBER	DESCRIPTION	QTY
1	83011067050	KEY COVER CAP	1
2	50311066050	IGNITION LOCK NUT M24X1	1
3	58411066450	WASHER F. IGNITION LOCK 03	1
4	40011166200	KEY BLANK BLACK "T" GRIP	1
5	83011066000	IGNITION LOCK	1
6	58011021300	H.BEAM INDICATOR LIGHT BLUE'98	1
6	58011023300	NEUTRAL INDIC. LIGHT GREEN '98	1
6	58314085000	INDICATOR LIGHT ORANGE "ON" 03	1
6	83011022000	REVERSE GEAR CONTROL LAMP	1
7	44011076100	CABLE TIE 100/2,5MM BLACK	x
8	83011089000	TETHER SWITCH	1

088301430 / C088301430

* NEW PART

X AS REQUIRED

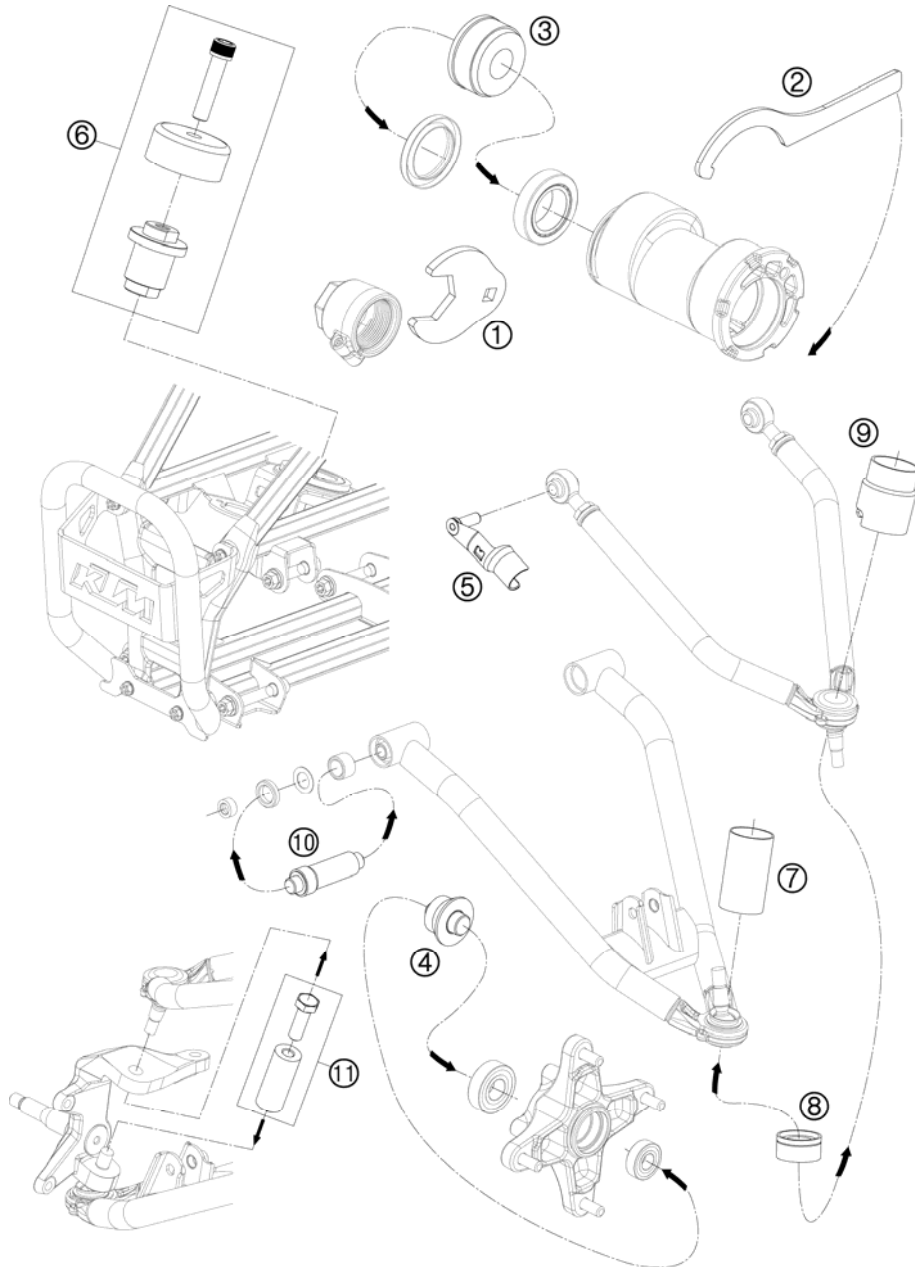


FIG	PART NUMBER	DESCRIPTION	QTY
1	83019010461	OPEN END WRENCH 46MM 1/2"DRIVE	1
2	83019011000	HOOK WRENCH F.BEARING ADJUSTM.	1
3	83019012000	PRESS TOOL FOR REAR EXCENTRIC	1
4	83019013000	PRESS TOOL FR. WHEEL HUB BEAR.	1
5	83019014000	CAL. F. CASTOR-/CAMBER ADJUST.	1
6	83019020000	PRESS TOOL FOR STEERING BEAR.	1
7	83019020100	WITHDRAWING SLEEVE BALL-HEAD	1
8	83019020130	PRESS TOOL FOR A-ARM BALL-HEAD	1
9	83019020150	SUPPORT DE/MOUNTING BALL-HEAD	1
10	83019020170	PRESS TOOL A-ARM NEEDLE BEAR.	1
11	83019021000	PRESS OUT TOOL CPL.	1

088301910 / C088301910

* NEW PART

X AS REQUIRED

①
OHNE ABBILDUNG
WITHOUT ILLUSTRATION

①
TECHNISCHE DOKUMENTATION
TECHNICAL DOCUMENTATION
DOCUMENTACION TECNICA
DOCUMENTATION TECHNIQUE
NOTE TECNICHE

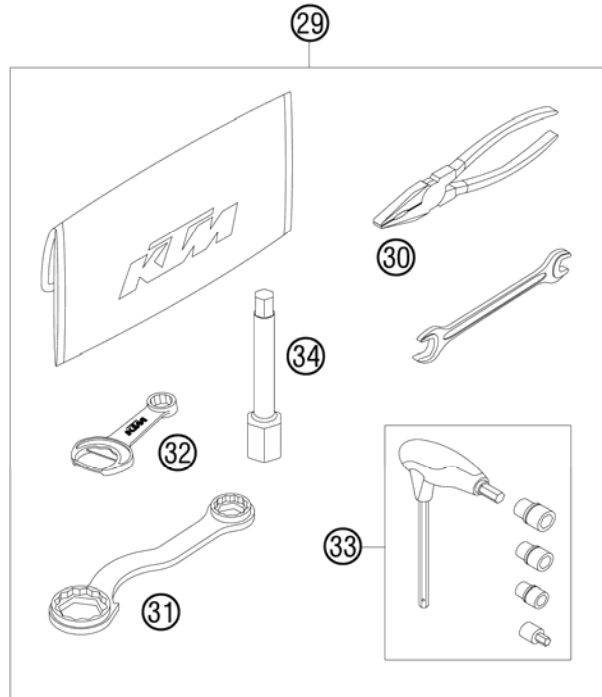


FIG	PART NUMBER	DESCRIPTION	QTY
0	0025060166	HH COLLAR SCREW M6X16 TX30	1
0	312305	DOCUMENTS BAG 2006	1
0	312313	KTM BALLPOINT ORANGE	1
0	3210039	CUSTOMER WELCOME LETTER	1
0	58411098100	CONTACT WASHER M6 VSV-K6	1
0	58440099000	PROTECTION CAP F. STARTER ENG.	2
0	58511053000	BATTERY 12V 4AH YTX5L-BS	1
0	83011067050	KEY COVER CAP	1
0	83011097000	GROUND CABLE 1	1
0	83019014000	CAL. F. CASTOR-/CAMBER ADJUST.	1
1	3206058	REP. INS. 450/525 XC ATV 2008	1
1	3211251	OWN. MAN. 450/525 XC ATV 2008	1
1	3212080	ATV SAFETY BROCHURE	1
1	3CF8575HQEN	SPM CHASSIS ATV 525 XC 2008	1
1	3CM089605HEN	SPM ENGINE 525 XC ATV 2008	1
1	83003098400	SAFETY PLAQUETTE	1
29	78029099000	TOOL SET 08	1
30	53012028200	GRIP ORANGE B&F	1
31	50329080000	WRENCH WS=17/21/27/32	1
32	50329071000	WRENCH WS=13/17	1
33	60029070200	T-WRENCH WS=6/8/10 TX=45 B&F	1
34	78029072000	SPARK PLUG SOCKET	1

088302001 / C088302001

* NEW PART

X AS REQUIRED

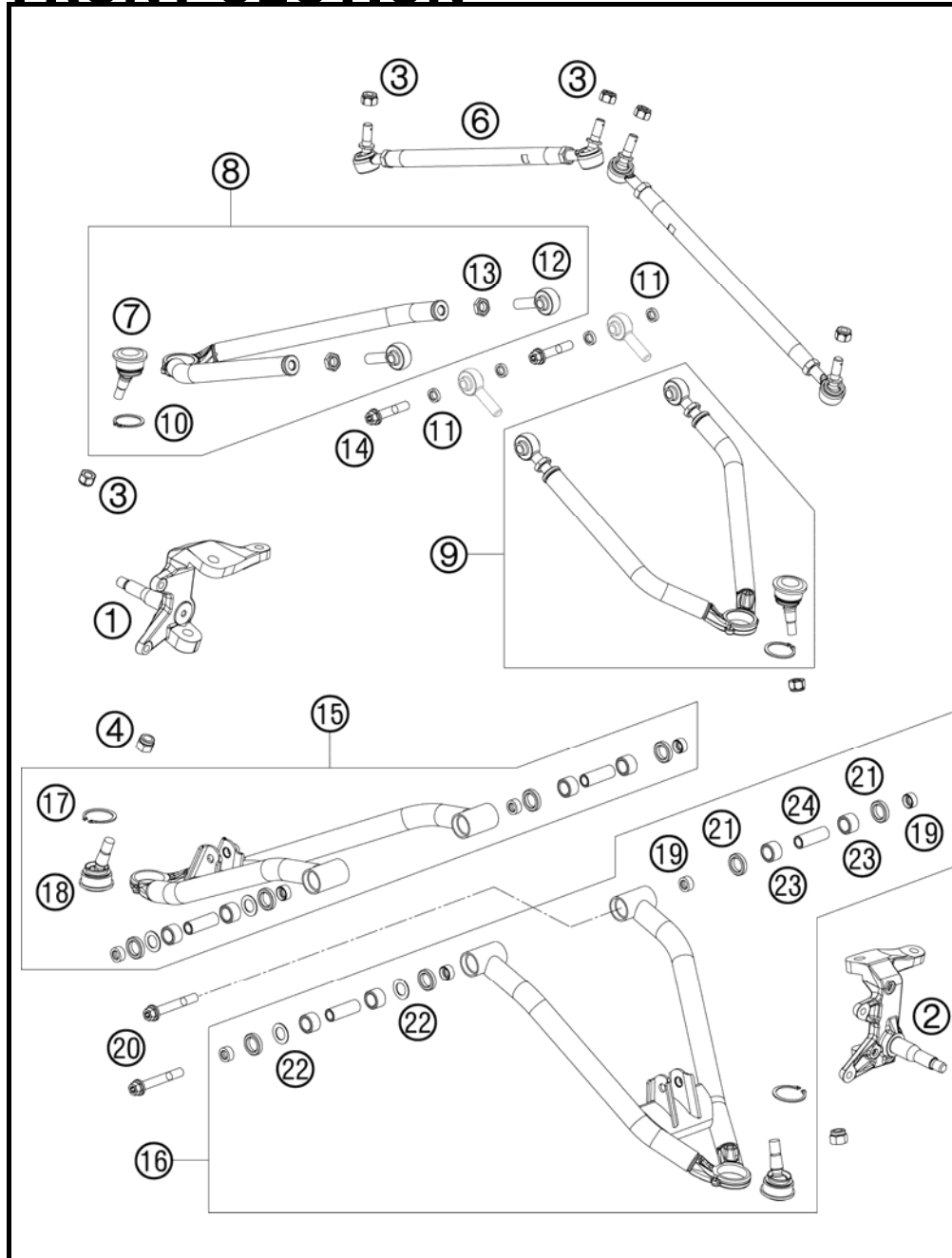


FIG	PART NUMBER	DESCRIPTION	QTY
1	83061006000	WHEEL CARRIER R/S CPL.	1
2	83061005000	WHEEL CARRIER L/S CPL.	1
3	0982101253	SELF LOCK.NUT M10X1,25	6
4	83061005025	SELF LOCK.NUT M12X1,5	2
6	83061010044	TRACK RODS CPL.	2
7	83061001050	BALL HEAD M10X1,25	2
8	83061003044	A-ARM TOP R/S XC CPL.	1
9	83061001044	A-ARM TOP L/S XC CPL.	1
10	0471320150	CIRCLIP DIN0471-32X1,5	2
11	83061001025	SPACER BUSHING F. BALLJOINT	8
12	83061001051	SWIVEL HEAD	4
13	0936120123	HEXAGON NUT DIN 936 M12x1,25	4
14	0023100523	COLLAR SCREW M10X52 TX	4
15	83061004044	A-ARM DOWN R/S XC CPL.	1
16	83061002044	A-ARM DOWN L/S XC CPL.	1
17	0471350150	CIRCLIP DIN0741-35X1,5	2
18	83061002050	BALL HEAD M12X1,5	2
19	83061034000	BUCKET F. SHAFT SEAL RING	8
20	0023100703	COLLAR SCREW M10X70 TX	4
21	0760172660	SHAFT SEAL RING 17X26X6	8
22	83061015000	STOP DISK 15,2X25,7X1	4
23	83061079000	NEEDLE BEARING HMK 1515	8
24	83061032000	BUSHING SLEEVE F. A/ARM	4

088306110 / C088306110

* NEW PART

X AS REQUIRED

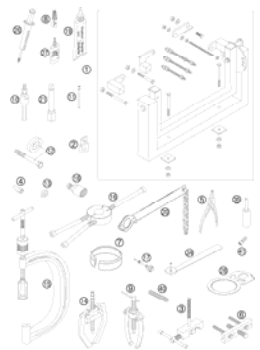
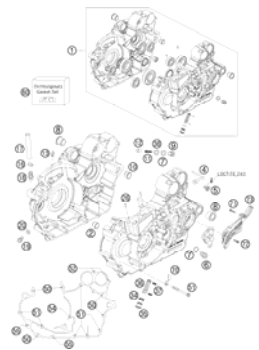
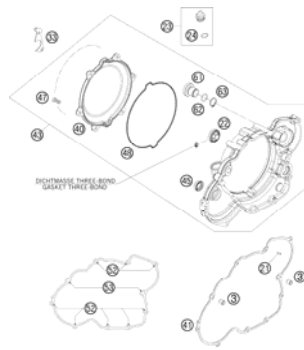
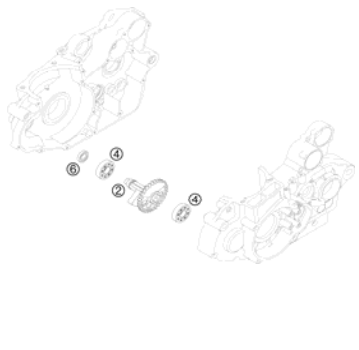
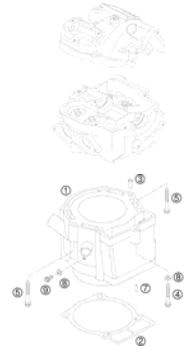
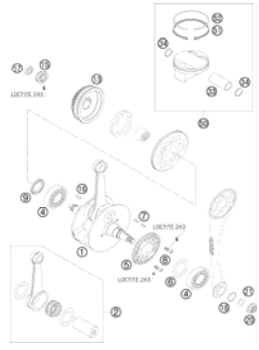

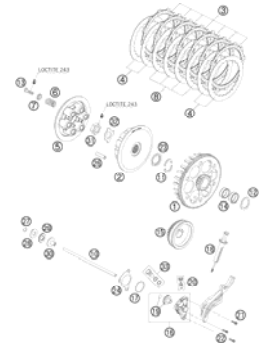
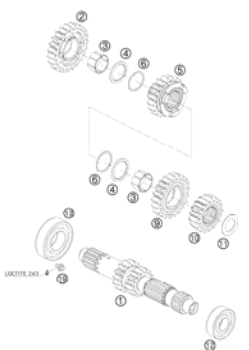
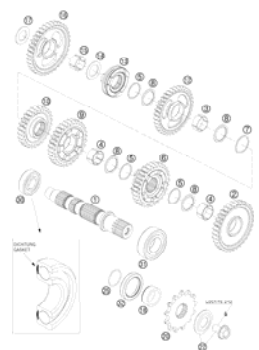

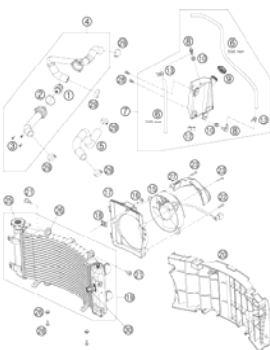
525 EXC ATV 2008

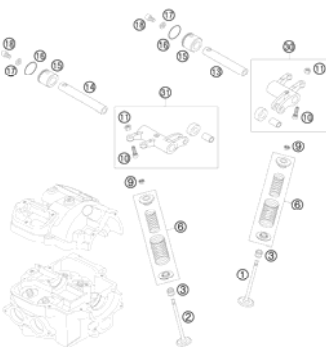
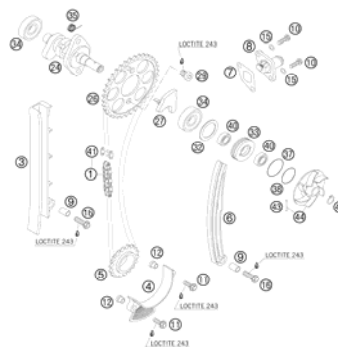
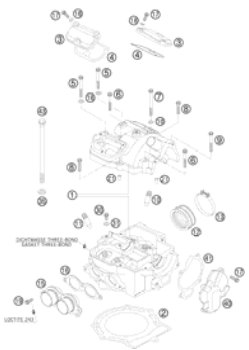
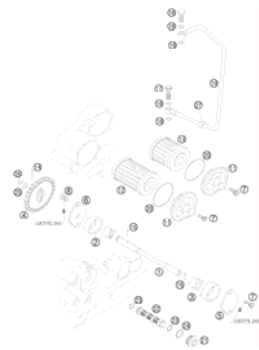
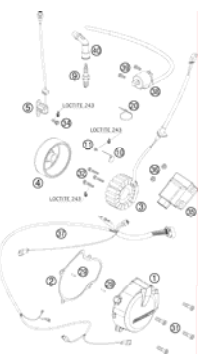
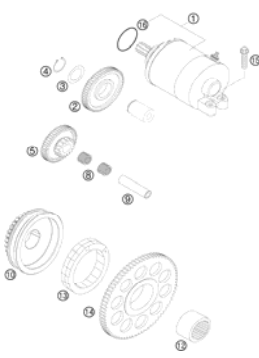
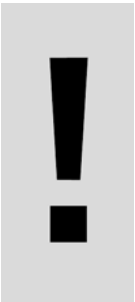
SPARE PARTS MANUAL: ENGINE

ART.NO.: 3CM089605HEN

ENGLISH



<p>SPECIAL TOOLS</p>  <p>3</p>	<p>ENGINE CASE</p>  <p>4</p>	<p>CLUTCH COVER</p>  <p>5</p>	<p>BALANCER SHAFT</p>  <p>6</p>
<p>CYLINDER</p>  <p>7</p>	<p>CRANKSHAFT, PISTON</p>  <p>8</p>	<p>CARBURETOR</p>  <p>9</p>	<p>CLUTCH</p>  <p>11</p>
<p>TRANSMISSION I - MAIN SHAFT</p>  <p>12</p>	<p>TRANSMISSION II - COUNTERSHAFT</p>  <p>13</p>	<p>SHIFTING MECHANISM</p>  <p>14</p>	<p>COOLING SYSTEM</p>  <p>16</p>

<p>VALVE DRIVE</p>  <p>17</p>	<p>TIMING VALVE</p>  <p>18</p>	<p>CYLINDER HEAD</p>  <p>19</p>	<p>LUBRICATING SYSTEM</p>  <p>20</p>
<p>IGNITION SYSTEM</p>  <p>21</p>	<p>ELECTRIC STARTER</p>  <p>22</p>		
		<div style="display: flex; align-items: center;">  <p>All information contained is without obligation. KTM-Sportmotorcycle AG particularly reserves the right to modify any equipment, technical specifications, prices, colors, shapes, materials, services, service work, constructions, equipment and the like so as to adapt them to local conditions or to cancel any of the above items, all without previous announcement and without giving reasons. KTM may stop manufacturing certain models without previous notice. KTM shall not be held liable for any deviations of availability and/or ability to deliver, illustrations, descriptions, printing and/or other errors. The illustrated models partly contain extra equipment, which is not applied to standard models. © by KTM-SPORTMOTORCYCLE AG, Mattighofen AUSTRIA; All rights reserved; Reprint, also in extracts, with written allowance of KTM-SPORTMOTORCYCLE AG, Mattighofen only.</p> </div>	

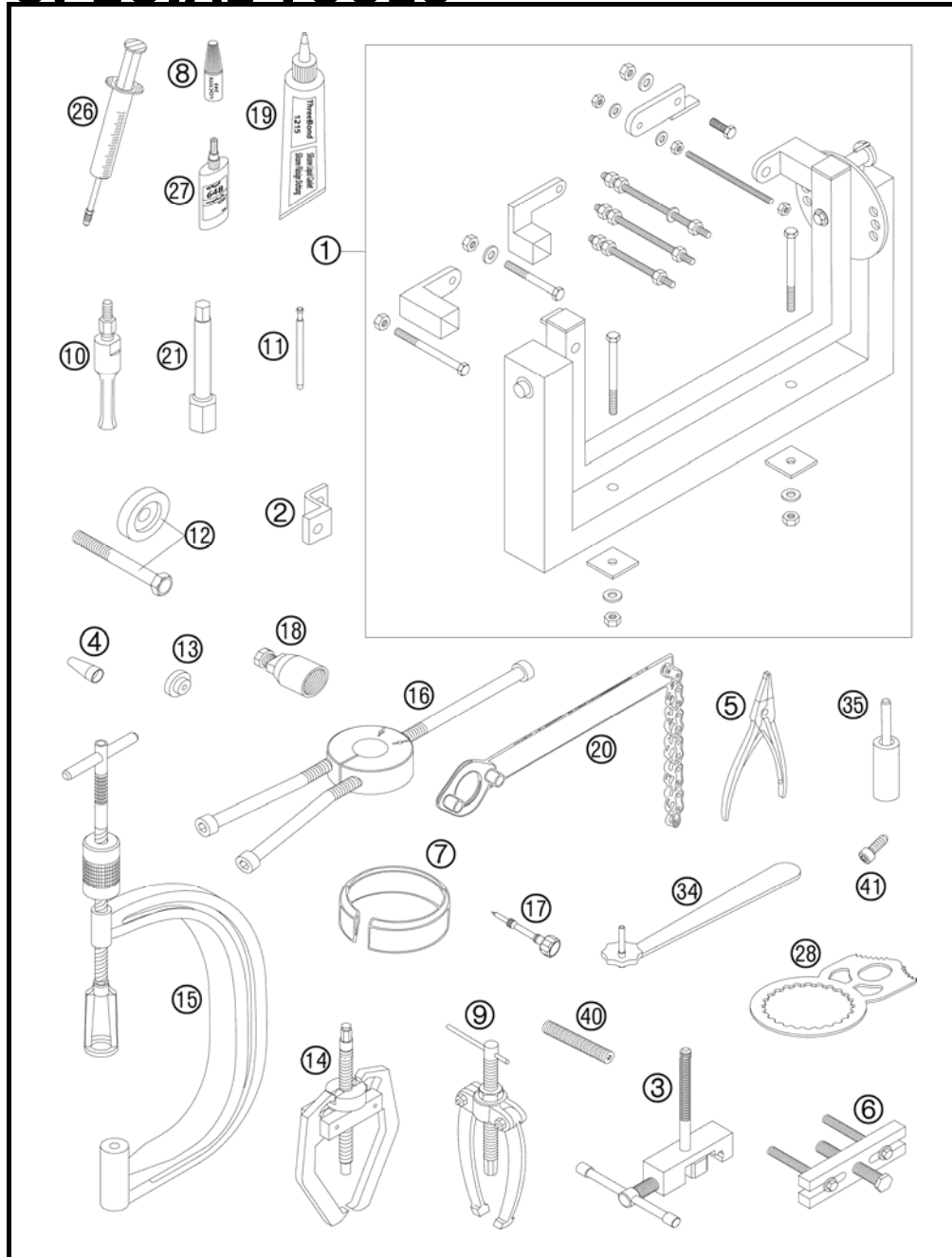


FIG	PART NUMBER	DESCRIPTION	QTY
1	56012001044	UNIVERSAL MOUNTING RACK CPL.	1
2	59029002000	ENGINE HOLDER FOR RACING 2000	1
3	59029020000	RIVETTING TOOL TIMING CHAIN	1
4	59029005010	MOUNTING SLEEVE SEAL RING	1
5	51012011000	SPECIAL CIRCLIP PLIER	1
6	59029021044	EXTRACTOR PRIM. GEAR CPL.	1
7	58012015095	PISTON RING COMPRESSOR D=95MM	1
8	6899785	LOCTITE 243 BLUE 6CCM	1
9	15112017000	BUSHING EXTRACTOR	1
10	15112018000	INTERN.BEAR.PULLER 12-16 MM	1
10	15112018100	INTERN.BEAR.PULLER 18-23 MM	1
10	15112018200	INTERN.BEAR.PULLER 5-7 MM	1
11	59029026006	LIMIT PLUG GAUGE F.VALVE GUIDE	1
12	59029035000	MOUNTING RING FOR INNER CLUTCH	1
13	59029036000	PROTECTION COVER F.MAIN SHAFT	1
14	59029033000	EXTRACTOR FOR TIMING GEAR	1
15	59029019000	VALVE SPRING LEVER	1
16	58429037037	MOUNTING TOOL INNER RING NJ206	1
17	59031017200	MIXT. CONTROL SCREW FACTORY 04	1
18	58012009000	FLYWHEEL EXTRACTOR	1
19	309098	SILICON GASKET THREE-BOND	1
20	51012012000	HOLDING SPANNER FOR SPROCKET	1
21	77029072000	SPARK PLUG KEY 250 SX-F	1
26	50329050000	VENT INJEKTION HYDR. CLUTCH	1
27	58429059000	LOCTITE 648 GREEN 24ML	1
28	59029003100	CLUTCH HOLDER RACING 2004	1
34	59029034000	WRENCH F.MIXTURE CONTROL SCREW	1
35	59029018000	PRESS PUNCH VALVE GUIDE	1
40	0113080802	ENGINE BLOCKING SCREW	1
41	58030080000	LOCATING SCREW M8 L=23	1

088302910 / C088302910

* NEW PART

X AS REQUIRED

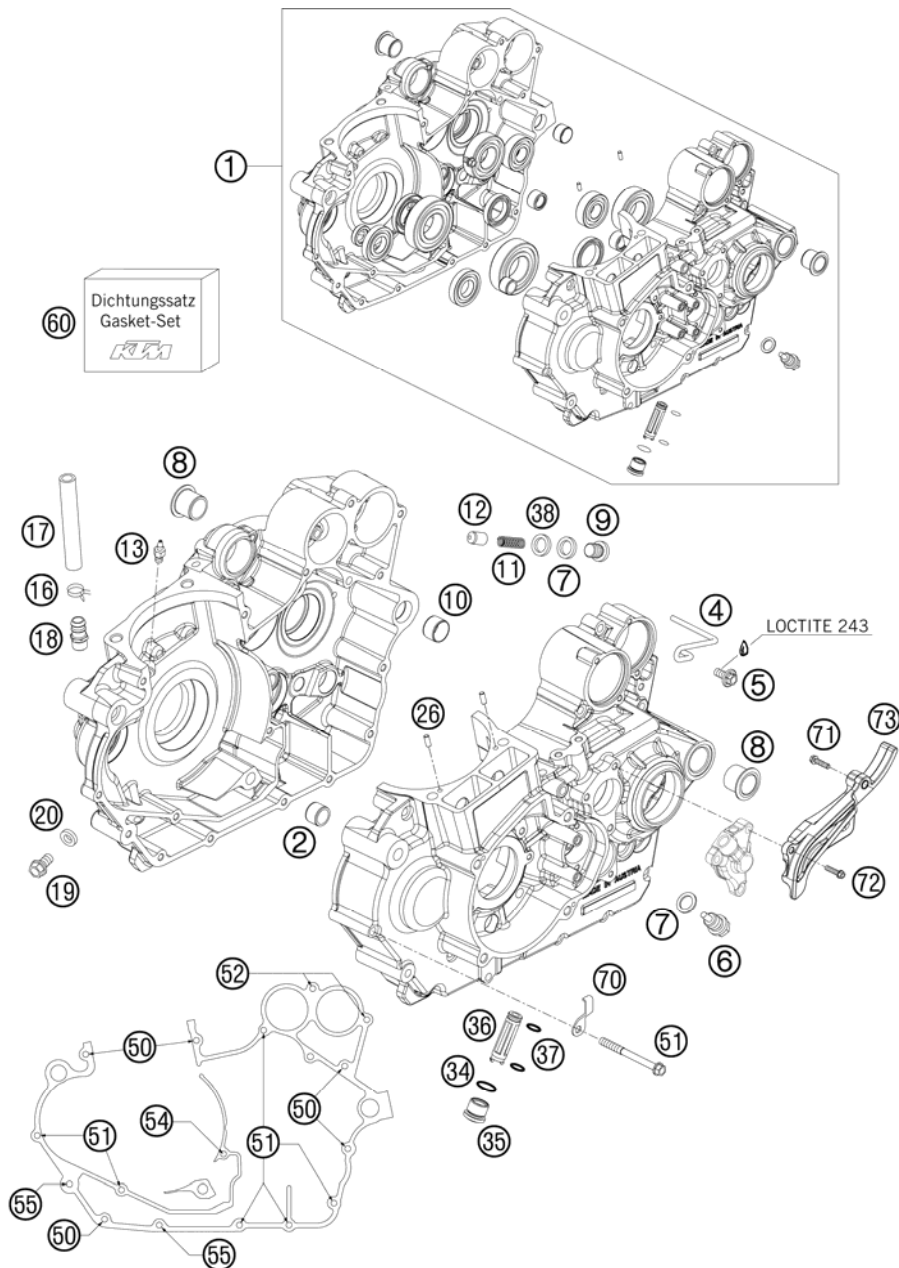


FIG	PART NUMBER	DESCRIPTION	QTY
1	8313000033	ENGINE CASE WITH BEARING CPL.	1
2	51030026100	DOWEL 17 X 13 X 12	1
4	59030090000	HANGER FOR VENT HOSE	1
5	0014060153	HH COLLAR SCREW M 6X15 WS=8	1
6	58030021000	OILDRAIN PLUG W.MAG. M 12X1,5	1
7	58038022000	CU-SEAL RING DIN7603-12X18X1,5	2
8	75030010000	CASE BUSH	2
9	0908120153	PLUG DIN0908-M12X1,5	1
10	59030024000	DOWEL 17 X 19 X 12	1
11	58038023300	PRESSURE SPRING L=25MM D=1MM	1
12	58038028000	VALVE PISTON D=10MM	1
13	60030064070	OIL JET 70 M6X0,75 WS8 03	1
16	58431082100	YDNAC-CLAMP 10173 (16MM) '98	1
17	83031050000	ENGINE BREATHER TUBE	1
18	59030022100	BLEEDER FLANGE M12X1,5 WS=13	1
19	0015080123	HH COLLAR SCREW M 8X12 WS=10	1
20	58030081000	CU-SEAL RING 8 X 14 X 3	1
26	0402040980	NEEDLE ROL.DIN5402 NRB 4X9,8	2
34	0770120020	O-RING 12,00X2,00 NBR 70	1
35	59038014100	PLUG M16X1,5	1
36	59038015000	OIL SCREEN 11,8X44,5MM	1
37	0770090015	O-RING 9X1,5 NBR	2
38	0603121830	SEAL RING DIN7603 12X18X3	1
50	0015060453	HH COLLAR SCREW M 6X45 WS=8	5
51	0015060603	HH COLLAR SCREW M 6X60 WS=8	6
52	0015060303	HH COLLAR SCREW M 6X30 SW=8	2
54	0015060753	HH COLLAR SCREW M 6X75 WS=8	1
55	0015060653	HH COLLAR SCREW M 6X65 WS=8	2
60	83030099000	GASKET SET CPL. ATV 2007	1
70	83034046000	SUPPORT	1
71	0025080306	HH COLLAR SCREW M8X30 TX40	1
72	0025060306	HH COLLAR SCREW M6X30 TX30	1
73	54803096000	SPROCKET COVER 250 SX 07	1

088303010 / C088303010

* NEW PART

X AS REQUIRED

CLUTCH COVER

525 EXC ATV 2008

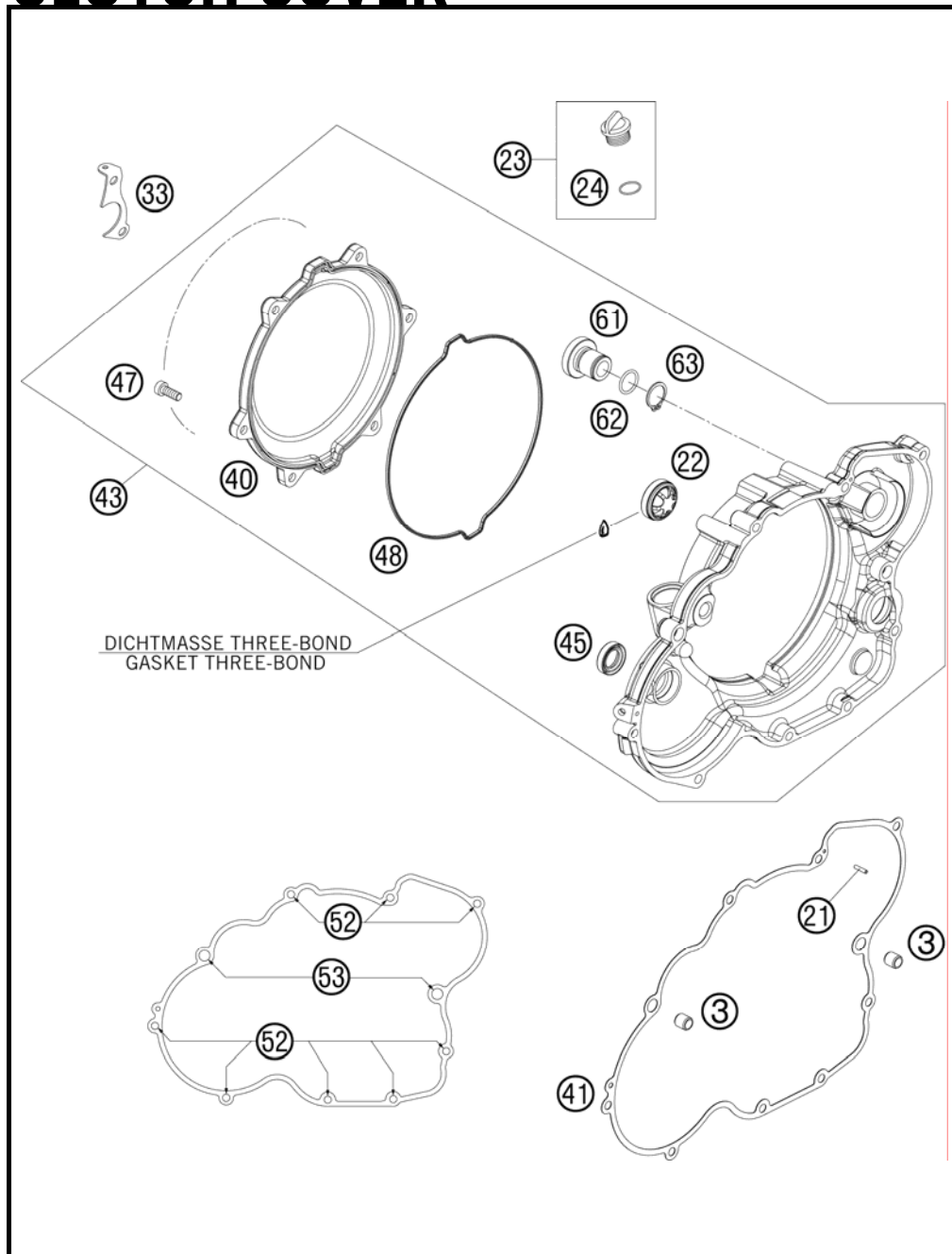


FIG	PART NUMBER	DESCRIPTION	QTY
3	49030090000	DOWEL 9,8 X 7 X 10	2
21	0402025980	NEEDLE ROLLER DIN5402 2,5X9,8	1
22	59030019000	OIL LEVEL GLASS G 1777 Y	1
23	58030120000	OIL FILLER CAP M24x3 WITH O-R	1
24	0770191015	O-RING 19,00X3,00 NBR	1
33	59030001090	RET.BRACKET F.BRAKE LEVER HUB	1
40	5903002600025	OUTER CLUTCH COVER 08	1
41	59030025200	CLUTCH COVER GASKET	1
43	8303000103325	CLUTCH COVER CPL. GREY	1
45	0760142460	SHAFT SEAL RING 14X24X6 B	1
47	0984060163	AH SCREW DIN6912-M 6X16	6
48	59030027000	GASKET F. OUTER CLUTCH COV. 06	1
52	0015060303	HH COLLAR SCREW M 6X30 SW=8	8
53	0015060353	HH COLLAR SCREW M 6X35 WS=8	2
61	83033056000	KICK-STARTER PLUG	1
62	0770160021	O-RING 16,00X2,00 VITON	1
63	0471190120	CIRCLIP DIN0471-19X1,2	1

088303020 / C088303020

* NEW PART

X AS REQUIRED

BALANCER SHAFT

525 EXC ATV 2008

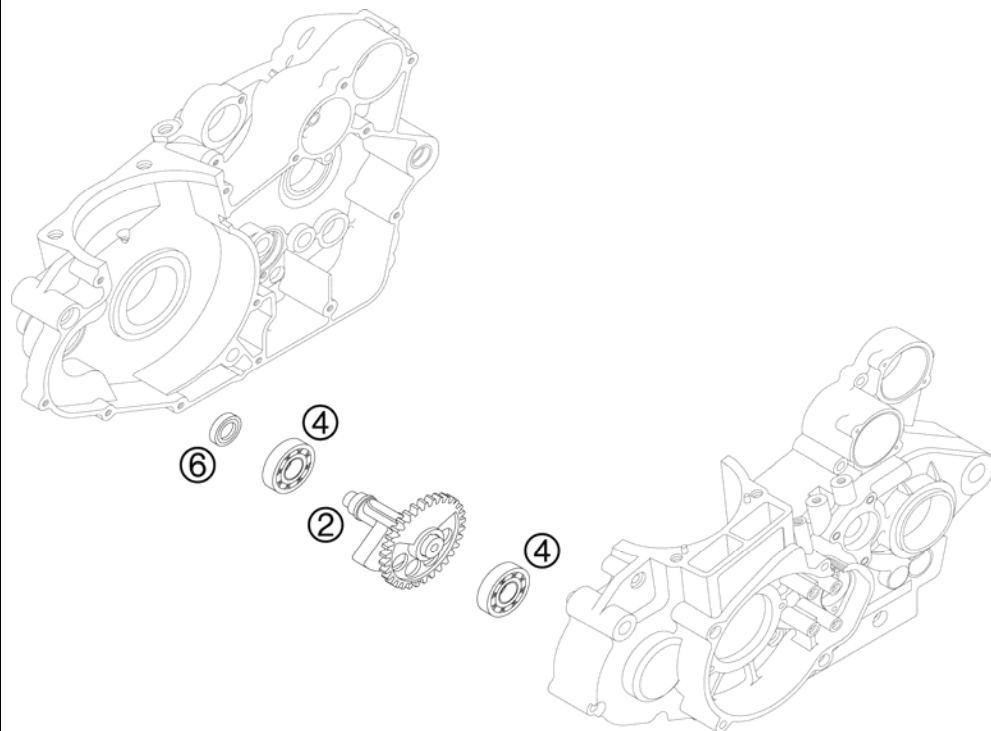


FIG	PART NUMBER	DESCRIPTION	QTY
2	59030057044	BALANCER SHAFT CPL. RAC. 2001	1
4	0625160040	GROOVED BALL BEAR. TM 16004 C3	2
6	0760142460	SHAFT SEAL RING 14X24X6 B	1

088303030 / C088303030

* NEW PART

X AS REQUIRED

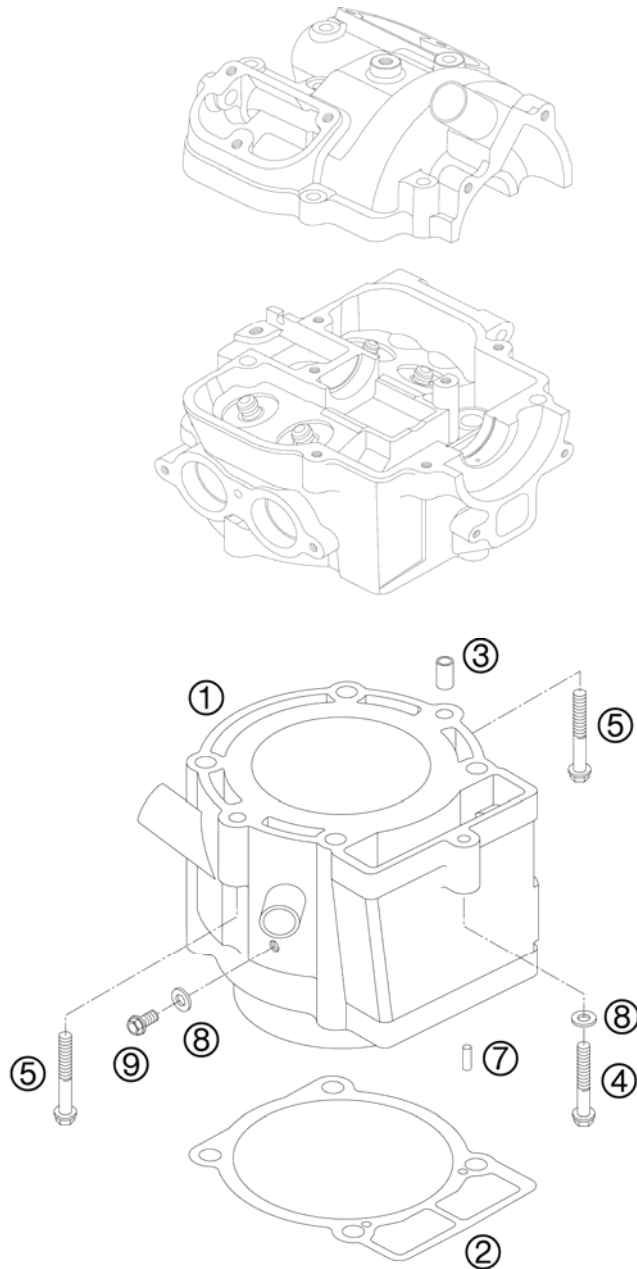


FIG	PART NUMBER	DESCRIPTION	QTY
1	59030005000	CYLINDER 95MM 520 RACING 2000	1
2	59030035050	CYLINDER BASE GASKET 0,5MM	1
3	59030023000	DOWEL 6X8X11,5	2
4	0015060403	HH COLLAR SCREW M 6X40 WS=8	1
5	0015060453	HH COLLAR SCREW M 6X45 WS=8	2
7	0402040980	NEEDLE ROL.DIN5402 NRB 4X9,8	2
8	0603061001	CU-SEAL RING DIN7603-6X10X1	2
9	0015060103	HH COLLAR SCREW M 6X10 WS=8	1

088303040 / C088303040

* NEW PART

X AS REQUIRED

CRANKSHAFT, PISTON

525 EXC ATV 2008

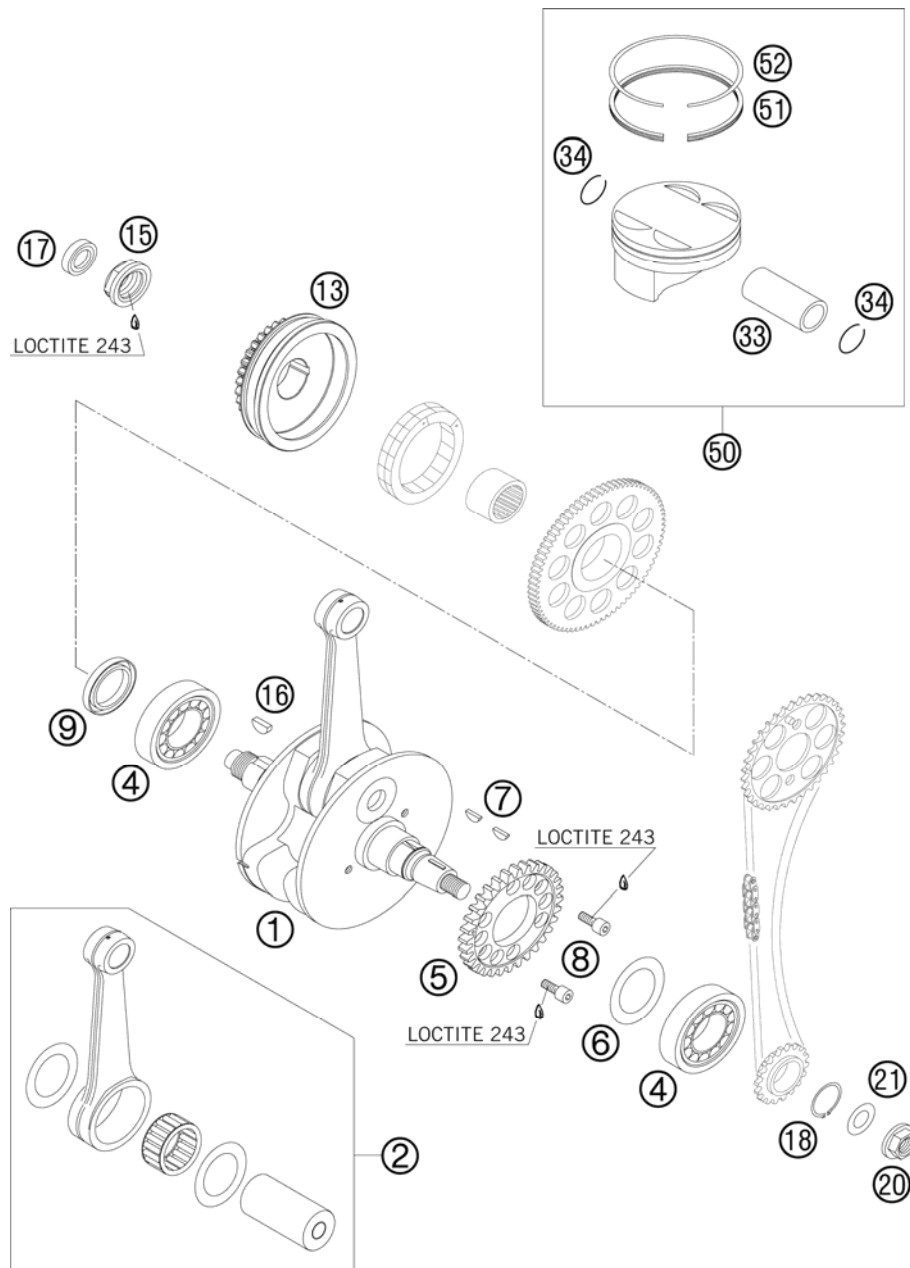


FIG	PART NUMBER	DESCRIPTION	QTY
1	59030118000	CRANKSHAFT CPL. 07 STROKE 72MM, WITHOUT WASHER	1
2	59030015044	CON.ROD REP.SET 250/520 RAC.00 WITH WASHER	1
4	50330082000	CYL.ROLLER BEAR.NJ206 ET2XCS46	2
5	59030055000	DRIVE GEAR 32-T F.BALANC.SHAFT	1
6	56030081000	THRUST WASHER 30,5X45X0,10	x
6	56030081100	THRUST WASHER 30,7X47X0,15	x
6	56030081200	THRUST WASHER 30,5X45X0,30	x
7	0888030050	WOODRUFF KEY DIN6888-3X5X13	2
8	0984060162	AH SCREW DIN7984-M 6X16	2
9	0760304772	SH.SEAL RING 30X47X7 BSL VITON	1
13	83032022031	PRIMARY GEAR 31T CPL.	1
15	59030029100	HH NUR M20X1,5 WS=27 LEFT	1
16	6946005	WOODRUFF KEY 5X6,5 HARDED	1
17	0760142460	SHAFT SEAL RING 14X24X6 B	1
18	0471250120	CIRCLIP DIN0471-25X1,2	1
20	49030021000	COLLAR NUT M12X1 R/S	1
21	0137120000	SPRING WASHER DIN0137-B12	1
33	59030033000	PISTON PIN BOLT 20X15,8/12X50	1
34	59030074000	CIRCLIP C20X1,5	2
50	59030007000 I	PISTON I 95MM CPL. FORGED 2000	1
50	59030007000 II	PISTON II 95MM CPL.FORGED 2000	1
51	58030631000	OIL SCRAPER RING 95MM	1
52	59030032000	RECTANGULAR RING 95/87,2X1,25	1

088303060 / C088303060

* NEW PART

X AS REQUIRED

CARBURETOR

525 EXC ATV 2008

ACHTUNG !!!
Vor dem Einbau des Vergasers,
Bedüsung kontrollieren.

CAUTION !!!
Before mounting the carburetor,
check the jetting.

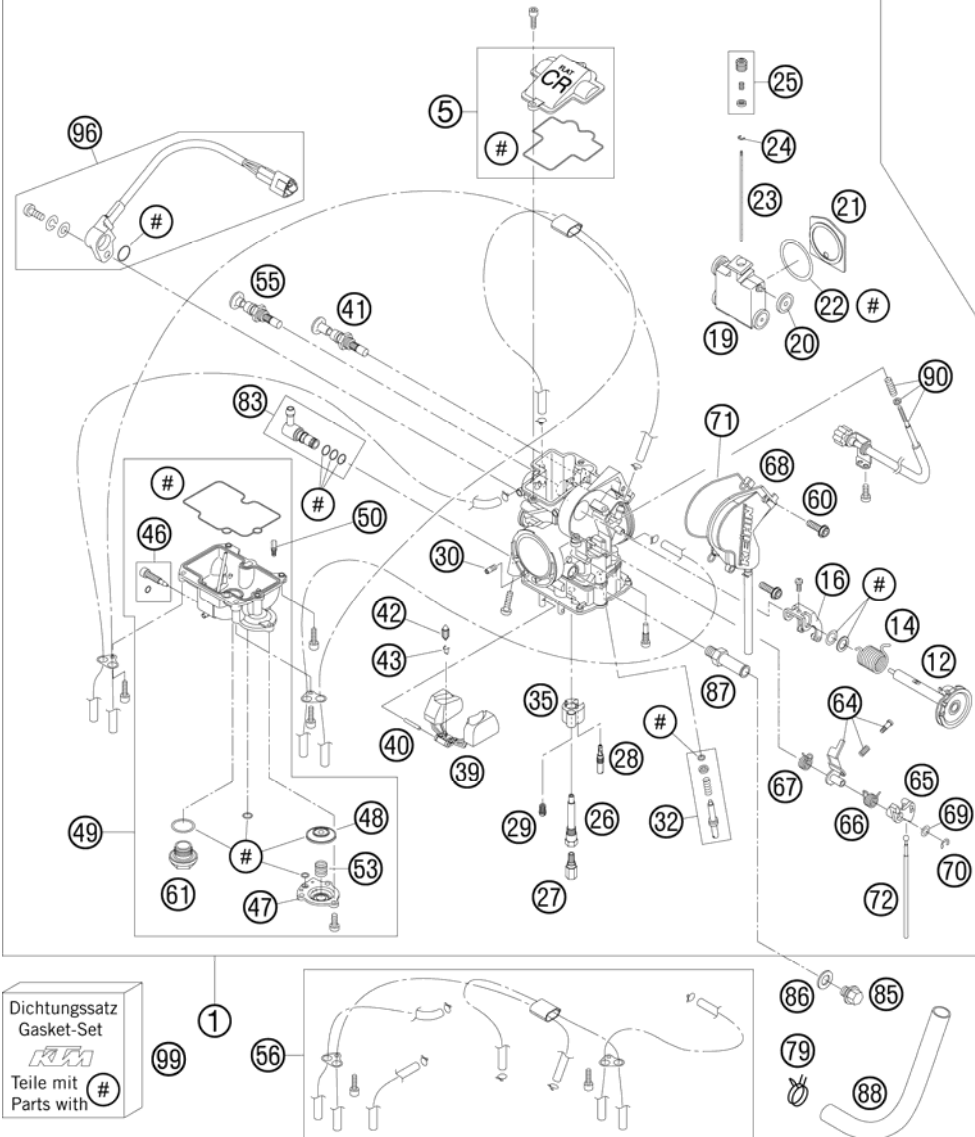


FIG	PART NUMBER	DESCRIPTION	QTY
1	83031001000	CARBURETOR FCR-MX 3925H,TPS 08	1
5	57331027044	CARBURETOR COVER WITH GASKET	1
12	57331046100	THROTTLE SHAFT CPL. 06	1
14	83031046050	COIL SPRING THROTTLE SHAFT	1
16	76231035051	LINK ARM THROTTLE VALVE CPL.	1
19	57331035100	THROTTLE VALVE CPL. FCRMX 2007	1
20	59031035050	BUSHING THROTTLE VALVE	4
21	57331035153	GASKET PLATE THROTTLE VALVE 04	1
22	59031035052	GASKET WASHER THROTTLE VALVE	1
23	57331034100	JET NEEDLE KEIHIN OBEKP	x
23	57331034200	JET NEEDLE KEIHIN OBEKQ	x
23	57331034300	JET NEEDLE KEIHIN OBEKR	x
23	57331034400	JET NEEDLE KEIHIN OBEKS	x
23	57331034500	JET NEEDLE KEIHIN OBEKT	x
24	59031029000	BAR CLIP	1
25	57331032000	NEEDLE SET SCREW CPL.	1
26	59031121000	NEEDLE JET FCR-MX	1
27	54531623165	MAIN JET 165 KEIHIN	x
27	54531623168	MAIN JET 168 KEIHIN	x
27	54531623170	MAIN JET 170 KEIHIN	x
27	54531623172	MAIN JET 172 KEIHIN	x
27	54531623175	MAIN JET 175 KEIHIN	x
27	54531623178	MAIN JET 178 KEIHIN	x
27	54531623180	MAIN JET 180 KEIHIN	x
28	54531607038	IDLE JET 38 KEIHIN	x
28	54531607040	IDLE JET 40 KEIHIN	x
28	54531607042	IDLE JET 42 KEIHIN	x
28	54531607045	IDLE JET 45 KEIHIN	x
29	59031051085	STARTER JET 85	x
30	57331107100	IDLE AIR JET 100 KEIHIN	1
32	59031017100	ADJUST SCREW CPL. FCR-MX	1
35	57331085000	BUFFER PLATE	1
39	57331009000	FLOAT CPL.	1
40	57331008000	ARM PIN FLOAT	1
41	57331075100	HOT-STARTER VALVE CPL. 06	1
42	54631220000	FLOAT NEEDLE	1

088303110 / C088303110

* NEW PART

X AS REQUIRED

CARBURETOR

525 EXC ATV 2008

ACHTUNG !!!
Vor dem Einbau des Vergasers,
Bedüsung kontrollieren.

CAUTION !!!
Before mounting the carburetor,
check the jetting.

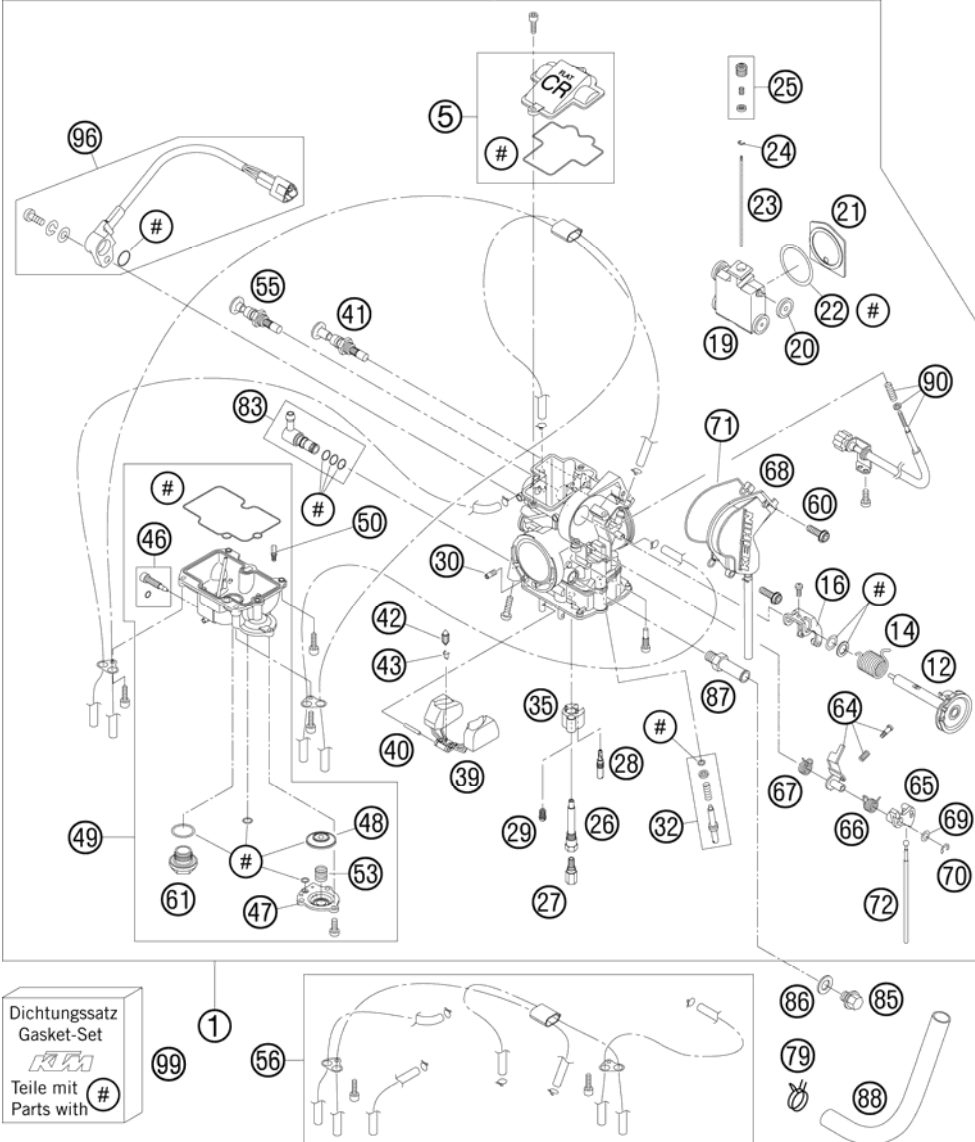


FIG	PART NUMBER	DESCRIPTION	QTY
43	54531621000	CLAMP	1
46	76231155000	DRAIN SCREW FLOAT CHAMBER	1
47	57331060000	COVER ACCELERATOR PUMP	1
48	57331057100	DIAPHRAGM ACCELERATOR PUMP	1
49	78031011000	FLOAT CHAMBER CPL. 08	1
50	54631085000	JET POWER JET CLOSED KEIHIN	x
53	59031059000	COIL SPRING	1
55	77031048000	STARTER VALVE SHORT CPL.	1
56	57331098000	BREATH.HOSE FCR-MX KEIHIN CPL.	1
60	83031094000	SCREW FOR COVER	2
61	54531699000	PLUG M 18X1	1
64	57331062000	INTERMEDIATE LEVER CPL.	1
65	57331056000	LINK LEVER	1
66	57331059000	SPRING LINK LEVER	1
67	57331159000	SPRING INTERMEDIATE LEVER	1
68	83031038000	COVER, GASKET, HOSE	1
69	57331087000	WASHER LINK LEVER	1
70	57331084000	E-CLIP	1
71	83031038001	GASKET FOR CARBURETOR COVER	1
72	57331061000	ROD ACCELERATOR PUMP	1
79	58431082100	YDNAC-CLAMP 10173 (16MM) '98	1
83	59031013044	HOSE CONNECTOR CPL.	1
85	0910100003	PLUG DIN0910-M 10X1	1
86	0603100141	COPPER GASKET DIN7603-10X14X1	1
87	59031040300	HOSE CONNECTOR KEIHIN	1
88	83031050000	ENGINE BREATHER TUBE	1
90	57331025000	STOP SCREW CPL. FCR-MX	1
96	59031077200	TPS-SENSOR FCRMX 190MM 2006	1
99	57331099000	GASKET SET FCR-MX KEIHIN	1

088303110 / C088303110

* NEW PART

X AS REQUIRED

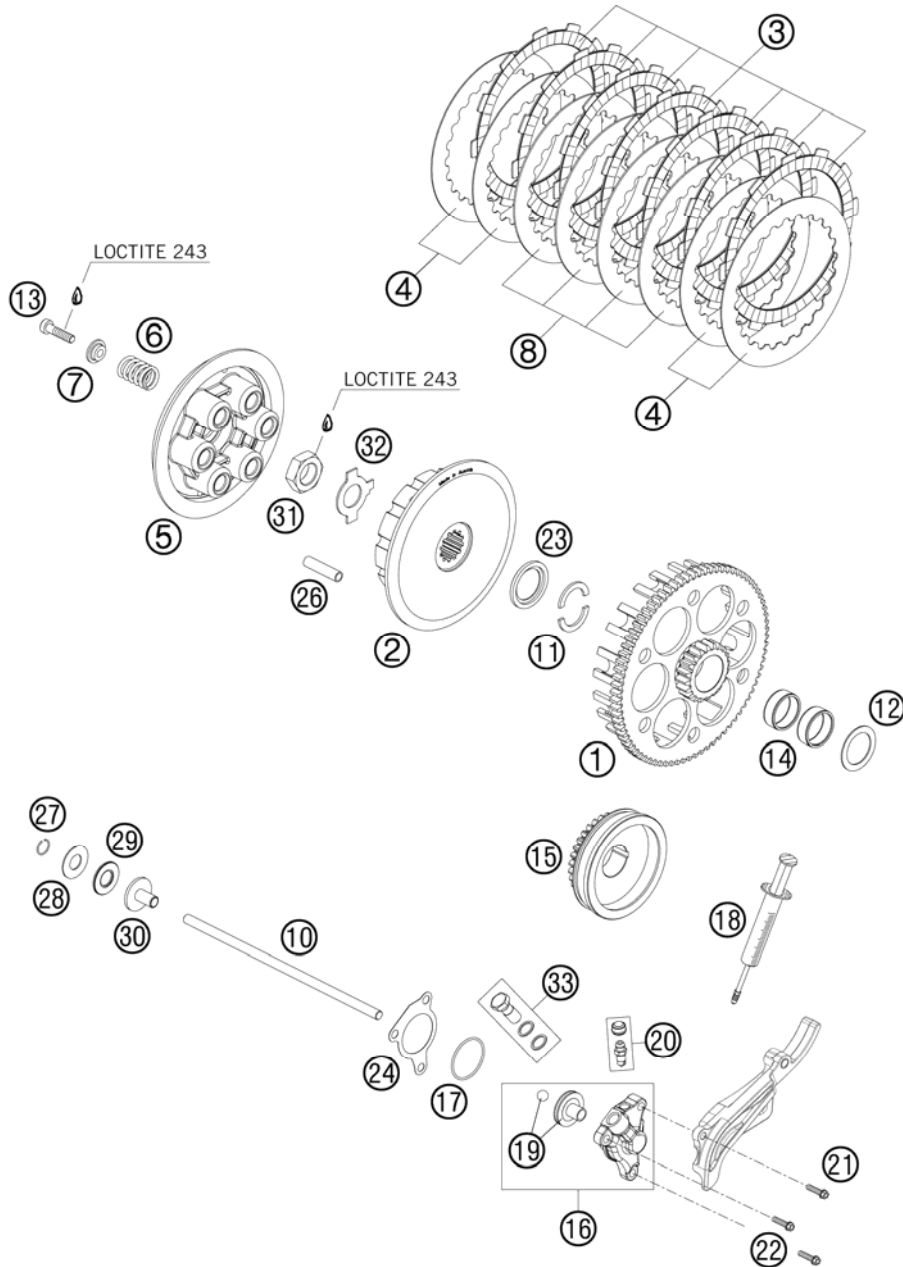


FIG	PART NUMBER	DESCRIPTION	QTY
1	83032000078	CLUTCH CAGE 75 T	1
2	59032002500	INNER HUB - RACING 2007	1
3	59032011100	LINING DISC 2MM 04	7
4	59032010100	INTERMEDIATE DISC 1MM 2002	4
5	59032003500	PRESSURE CAP WITH OIL BORE 07	1
6	59032005000	CLUTCH SPRING 2,5X43MM	6
7	59032006050	SPRING RETAINER 6,2X12X18X5,2	6
8	59032010200	INTERMEDIATE DISC 1,4MM 2002	4
10	83032054000	PUSH ROD L=201MM 07	1
11	59032007000	HALF-WASHER 03	2
12	59032017000	SUPPORTWASHER 25X35X1	1
13	0984060252	AH SCREW DIN912 M6X25	6
14	0405252910	NEEDLE BEAR K 25X29X10	2
15	83032022031	PRIMARY GEAR 31T CPL.	1
16	59032061044	OUTPUT CYLINDER CPL. 2003	1
17	0770300015	O-RING 30,00X1,50 NBR 70	1
18	50329050000	VENT INJEKTION HYDR. CLUTCH	1
19	59032066000	PISTON WITH O-RING AND BALL 03	1
20	54732064000	BLEEDER SCREW WITH CAP	1
21	0025060306	HH COLLAR SCREW M6X30 TX30	1
22	0015060203	HH COLLAR SCREW M 6X20 WS=8	2
23	59032009000	STEPPED WASHER 03	1
24	59032065000	GASKET FOR SLAVE CYLINDER	1
26	59032004300	DRIVING SLEEVE D=8, L=33 06	12
27	0993012000	CIRCLIP DIN7993-RW12	1
28	54637098200	AXIAL WASHER AS1226 12X26X1	1
29	54637097200	AXIAL NEEDLE BEARING AXK 1226	1
30	50332054051	PRESSURE PIECE 125-380 '98	1
31	0936181505	HEXAGON NUT DIN0936-M18X1,5 R.	1
32	56532018000	LOCK WASHER	1
33	59032062000	HOLLOW SCREW + COPPER GASKET	1

088303210 / C088303210

* NEW PART

X AS REQUIRED

TRANSMISSION I - MAIN SHAFT

525 EXC ATV 2008

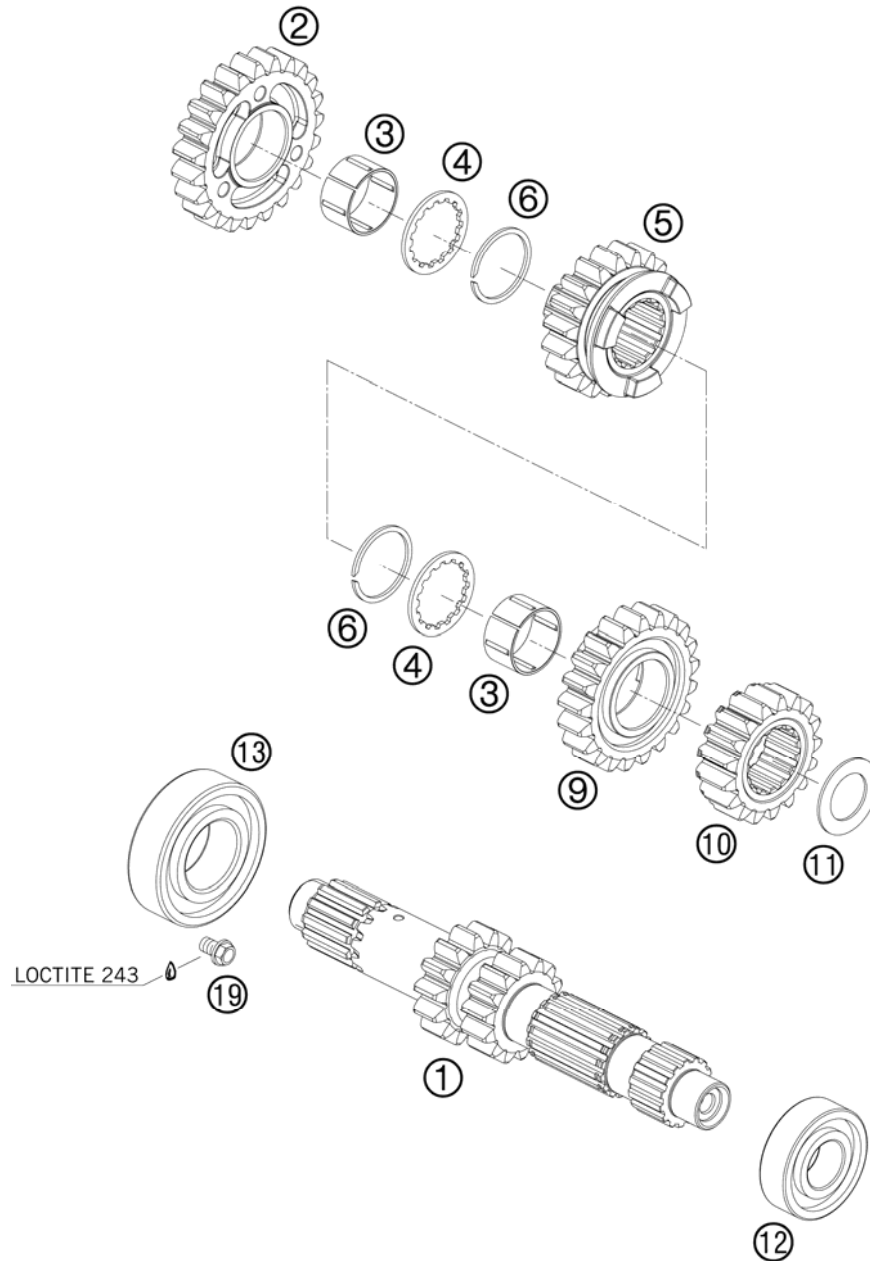


FIG	PART NUMBER	DESCRIPTION	QTY
1	83033001100	MAIN SHAFT 14T 07	1
2	83033005000	IDLER GEAR 5.G 23T 07	1
3	83033043000	NEEDLE BEAR. 21X25X13 SLOTTED	2
4	83033023000	STOP DISK 22,6X30X1,5 15T	2
5	83033003000	SLIDING GEAR 3. G. 19T 07	1
6	0417025000	CIRCLIP SW25	2
9	83033004000	IDLER GEAR 4.G 21T 07	1
10	83033002000	SOLID GEAR 2.G 17T 07	1
11	83033024000	STOP DISK 17,2X27,7,X1	1
12	0625062035	BALL BEARING 6203 JR2 C3	1
13	0625062054	BALL BEARING 6205 C3 NTN	1
19	0015060083	HH COLLAR SCREW M 6X8 WS=8	1

088303330 / C088303330

* NEW PART

X AS REQUIRED

TRANSMISSION II - COUNTERSHAFT

525 EXC ATV 2008

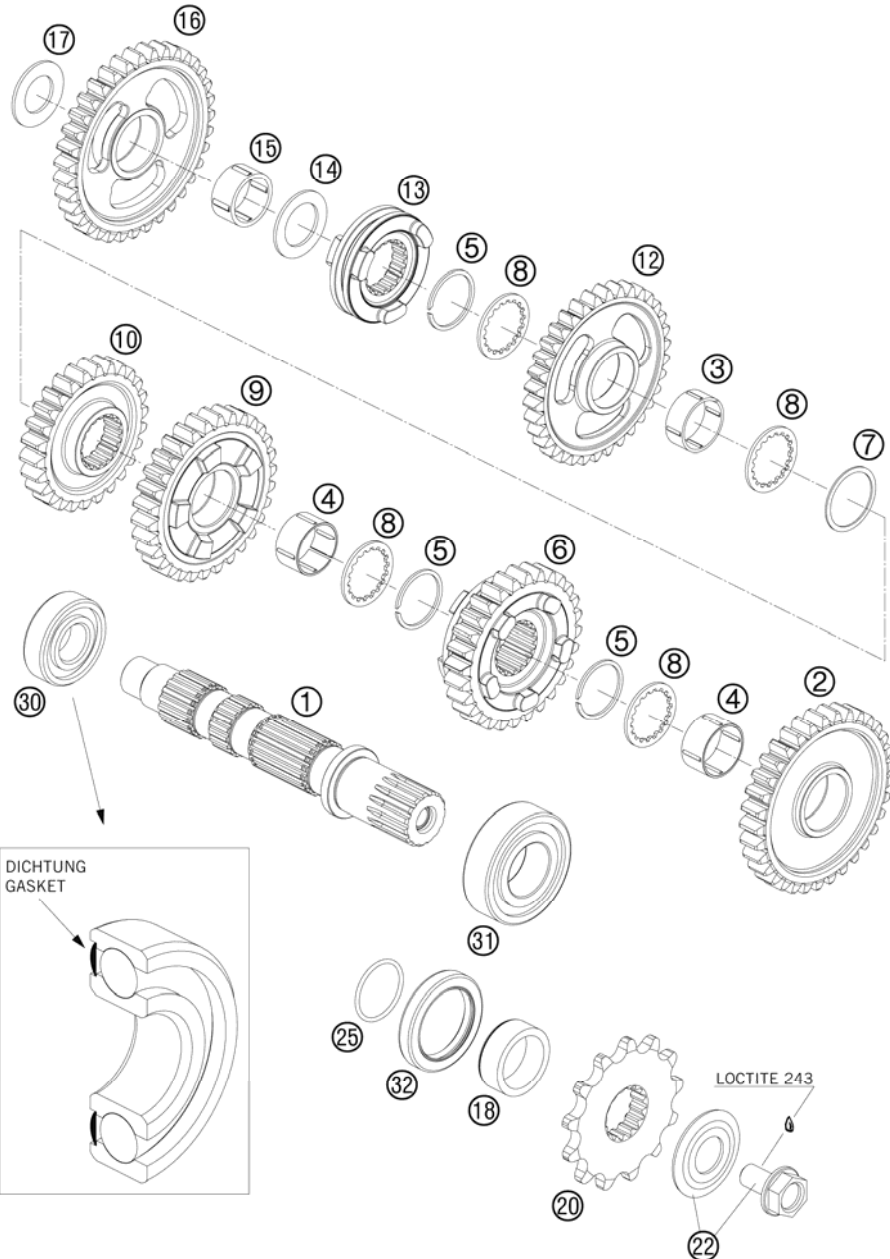


FIG	PART NUMBER	DESCRIPTION	QTY
1	83133010000	COUNTERSHAFT 08	1
2	83033012000	IDLER GEAR 2.G. 33T 07	1
3	83033042000	NEEDLE BEAR. 22X26X10 SLOTTED	1
4	83033041000	NEEDLE BEAR. 22X26X13 SLOTTED	2
5	0417025000	CIRCLIP SW25	3
6	83033014000	SLIDING GEAR 4. G. 28T 07	1
7	83033032000	DISTANCE DISK 25X30X0,2	x
7	83033033000	DISTANCE DISK 25X30X0,3	x
8	83033022000	STOP DISK 22,6X30X1,5 18T	4
9	83033013000	IDLER GEAR 3.G. 30T 07	1
10	83033015100	SOLID GEAR 5.G. 26T 07	1
12	83033018100	IDLER GEAR REVERSE-GEAR 07	1
13	83033017000	SLIDING SLEEVE REVERSE-GEAR 07	1
14	83033025000	STOP DISK 20,2X31,X1,5	1
15	83033044000	NEEDLE BEAR. 22X26X12	1
16	83033011000	IDLER GEAR 1.G. 35T 07	1
17	49032012000	STOP DISK 17,2X30X1,5	1
18	54633014100	SPACER BUSHING 12MM	1
20	50033029013	SPROCKET 13-T	x
20	50033029014	SPROCKET 14-T	1
20	50033029015	SPROCKET 15-T	x
22	59033034044	SCREW+SPRING WASHER	1
25	0770020220	O-RING 25,12X1,78 NBR70	1
30	0625062036	BALL BEARING 6203 RSH C3	1
31	49030023000	CYL.ROLL BEARING NJ205	1
32	0760324571	SHAFT SEAL RING 32X45X7 BSLNBR	1

088303360 / C088303360

* NEW PART

X AS REQUIRED

SHIFTING MECHANISM

525 EXC ATV 2008

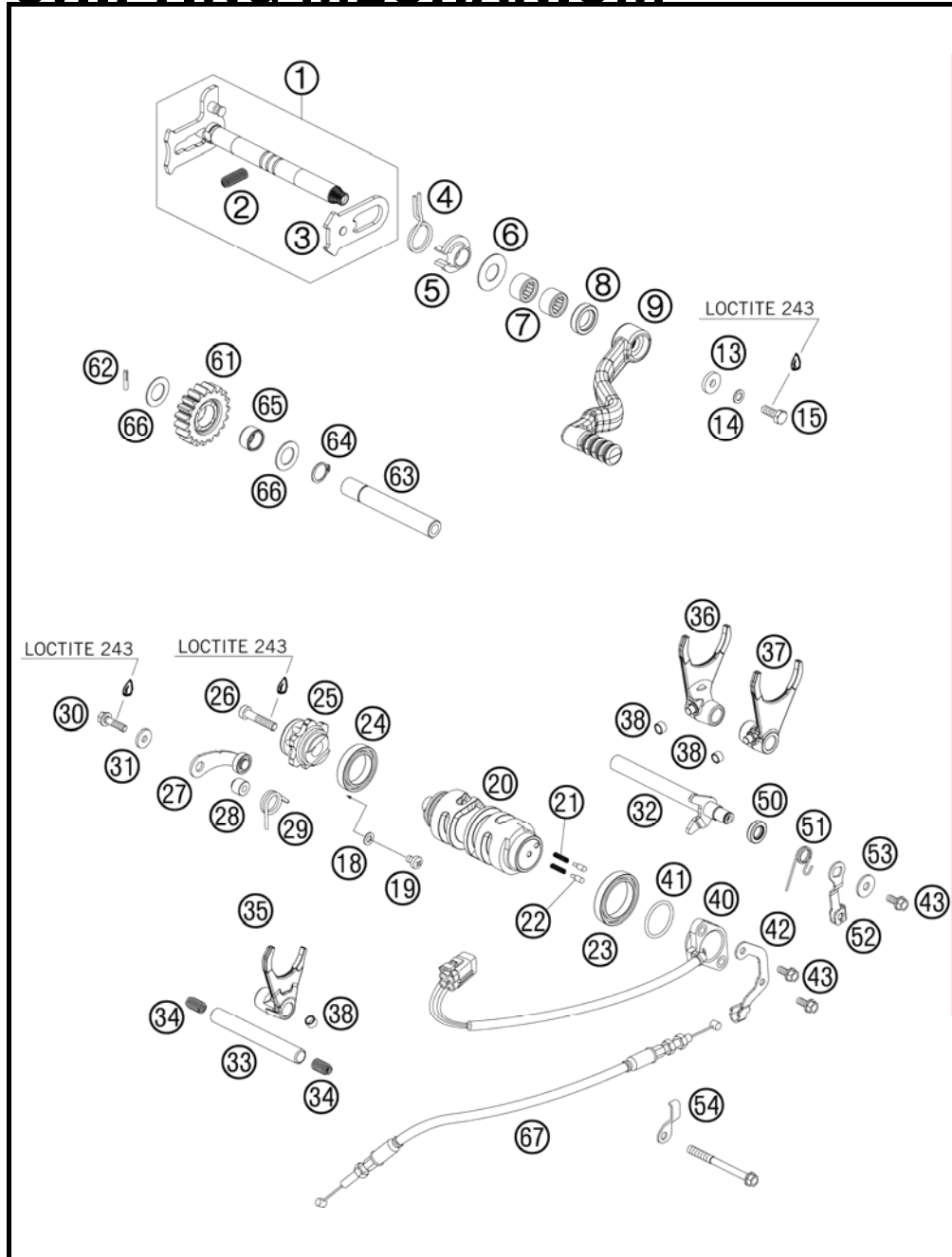


FIG	PART NUMBER	DESCRIPTION	QTY
1	83034005044	SHIFTING SHAFT CPL. 07	1
2	56534013100	TENSIONING SPRING 0,8MM	1
3	54634008044	SLIDING PLATE CPL.	1
4	54634014100	RETURN SPRING 2,2MM '95	1
5	54634020000	SPRING GUIDE	1
6	54634050000	STOP DISK 14X30X1	1
7	54632095000	NEEDLE BEAR.HK 1412 14X20X12	2
8	0760142460	SHAFT SEAL RING 14X24X6 B	1
9	83034031100	SHIFT LEVER CPL. ATV 07	1
13	50232050001	STEEL WASHER 6,4X17X3	1
14	50233041000	PAIR OF WASHERS M 6 NORDLOCK	1
15	59009062016	SPECIAL SCREW M6X16 WS=8 10.9	1
18	0125050003	WASHER DIN0125-A 5,3	1
19	0985050083	FLAT HEAD SCREW DIN7985-M 5X 8	1
20	83034012000	SHIFTING DRUM ATV	1
21	83034014000	CONTACT SPRING 3,6X14MM	1
22	83034037000	CONTACT BOLT	1
23	0625068060	BALL BEARING 6806 C3	1
24	0625618050	BALL BEARING 61805 C3	1
25	59034015144	SHIP DRUM LOCATING CPL.	1
26	0984060302	AH SCREW DIN6912 M 6X30	1
27	77034024044	LOCKING LEVER CPL. 08	1
28	54634052300	SLEEVE FOR LOCKING LEVER	1
29	59034023000	SPRING 2,3MM	1
30	0015050203	HH COLLAR SCREW M 5X20 WS=8	1
31	0349000050	WASHER DIN7349-5X15X2	1
32	83034120100	SHIFTING ROD WITH LOCK	1
33	77034019000	SHIFTING MAIN L=93MM 05	1
34	58038023200	PRESSURE SPRING 0,9MM	2
35	83034001000	SHIFT FORK	1
36	83034003000	SHIFT FORK	1
37	83034002000	SHIFT FORK	1
38	50334018100	SHIFTING ROLLER 6X8X5,2	3
40	83011023000	GEAR-POSITION SENSOR ATV	1
41	0770251262	O-RING 25,07X2,62 FPM 75SH	1
42	83034045000	ABUTMENT	1

088303410 / C088303410

* NEW PART

X AS REQUIRED

SHIFTING MECHANISM

525 EXC ATV 2008

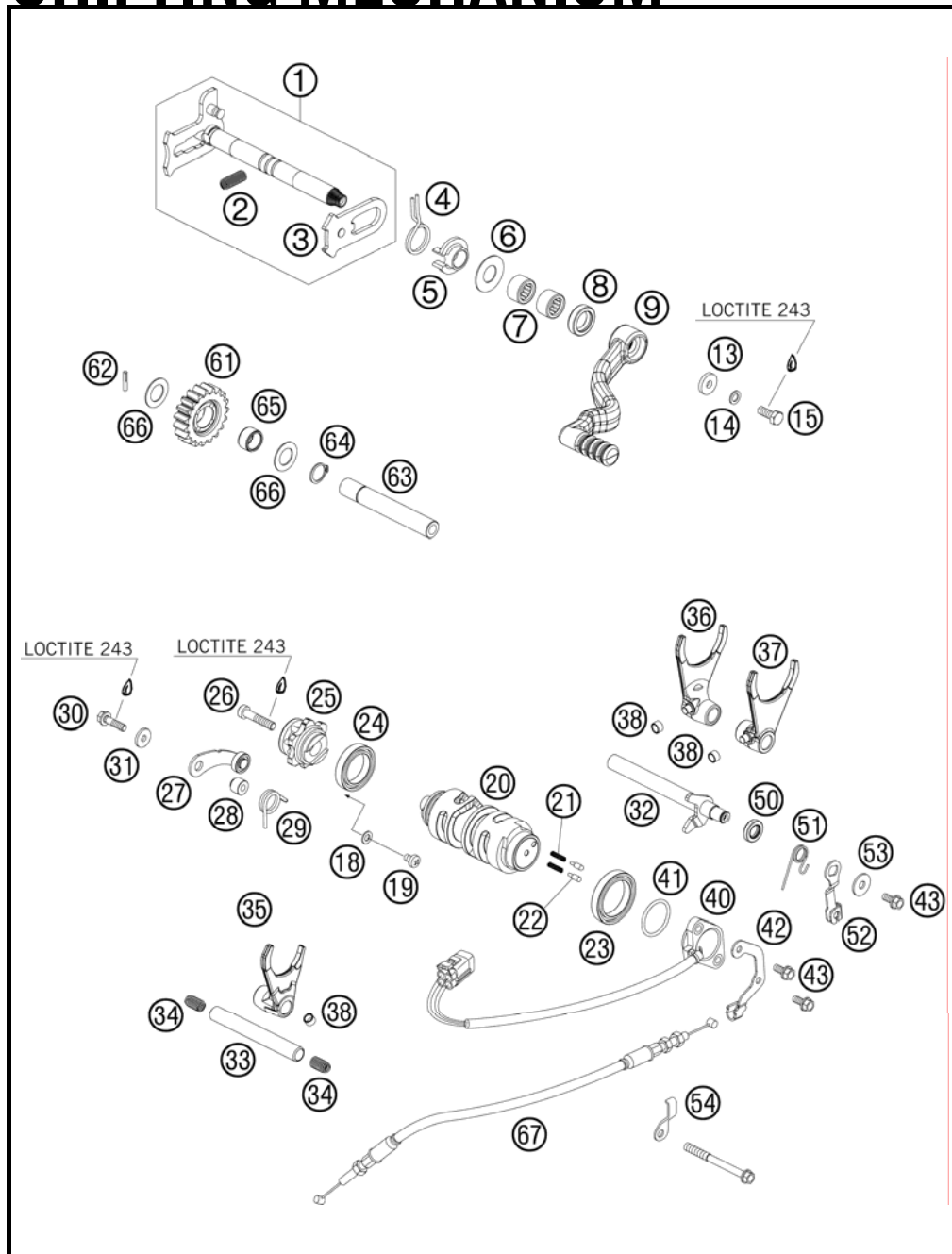


FIG	PART NUMBER	DESCRIPTION	QTY
43	0015050163	HH COLLAR SCREW M 5X16 WS=8	3
50	0760101844	SHAFT SEAL RING 10X18X4 BSL V.	1
51	59036059000	DECOMPRESSION LEVER SPRING	1
52	83134043000	LEVER LOCK-SHAFT	1
53	0021050003	WASHER DIN9021-A 5,3	1
54	83034046000	SUPPORT	1
61	83033008102	REVERSE GEAR WHEEL 07	1
62	0472030160	GROOVED PIN DIN1472 3x16	1
63	83033008101	REVERSE GEAR AXLE 07	1
64	0471140100	LOCK WASHER DINO471-14X1	1
65	0405141810	NEEDLE BEAR. 14X18X10	1
66	83033027000	STOP DISK 14,1X24X1	2
67	83002097000	BUS CABLE F. REVERSE GEAR	1

088303410 / C088303410

* NEW PART

X AS REQUIRED

COOLING SYSTEM

525 EXC ATV 2008

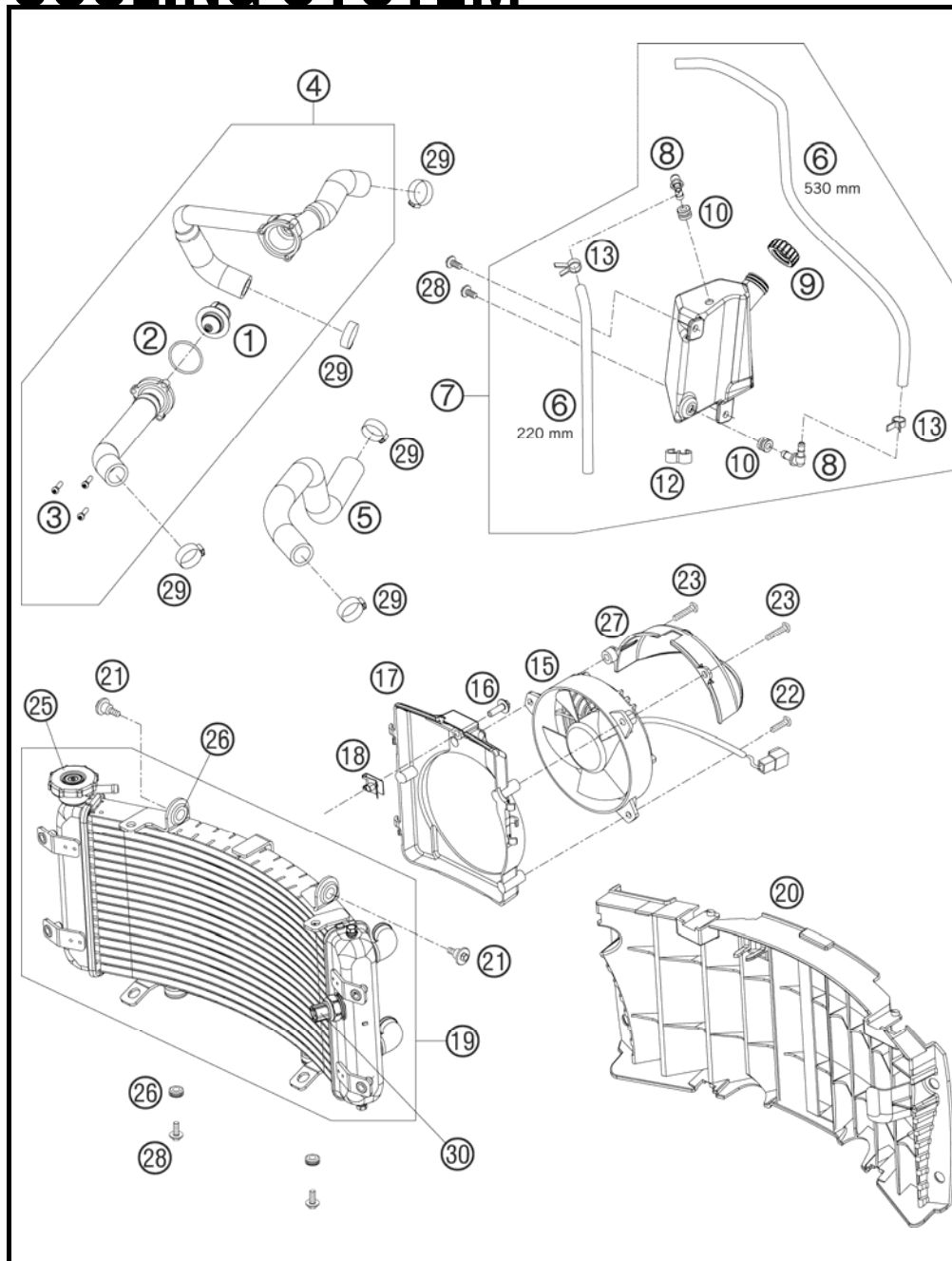


FIG	PART NUMBER	DESCRIPTION	QTY
1	59435017000	THERMOSTAT 70 DEGREES 04	1
2	0770320020	O-RING 32,00X2,00	1
3	0016040183	SCREW FOR PLASTIC D=4X18	3
4	83035090000	COOLING WATER HOSE SYSTEM R/S	1
5	83035027000	PREFORMED HOSE RADIATOR-CYL.	1
6	60035067001	HOSE 6X10 EPDM 03	x
7	83035065000	EXPANSION TANK	1
8	60035068000	ANGLE CONNECTION EXPANS. TANK	2
9	60035066000	PLUG F. EXPANSION TANK	1
10	60035069000	RUBBER GROMMET 6X9X13MM 04	2
12	60038039000	DISTANCE HOLDER 10/10 BLACK	1
13	58007117000	YDNAC-CLAMP 10107 10MM	2
15	60035041000	FAN L/S 03	1
16	0024060206	HH COLLAR SCREW M6X20 TX30	1
17	83035041000	FAN COWL ATV	1
18	54603048100	RANGE CHANGE METAL NUT M6	1
19	83035010000	RADIATOR ATV 2008	1
20	83035040000	RADIATOR PROTECTOR	1
21	60035001000	SCREW RADIATOR BRACKET M6 03	2
22	0017060203	EJOT PT SCREW K6X20 WS=6	1
23	0017060303	SPECIAL SCREW T60 6X30 WS=6	2
25	59035009000	RADIAT.CAP 20,3PSI (1,4BAR) 03	1
26	41001052000	RUBBER SLEEVE D=12MM	4
27	83035042000	AIR CONDUCTION COWL ATV	1
28	0024060123	COLLAR SCREW M6X12 TX	4
29	10001020000	HOSE CLAMP GEMI 16-27	5
30	83035045000	THERMOSWITCH 80-85 DG	1

088303530 / C088303530

* NEW PART

X AS REQUIRED

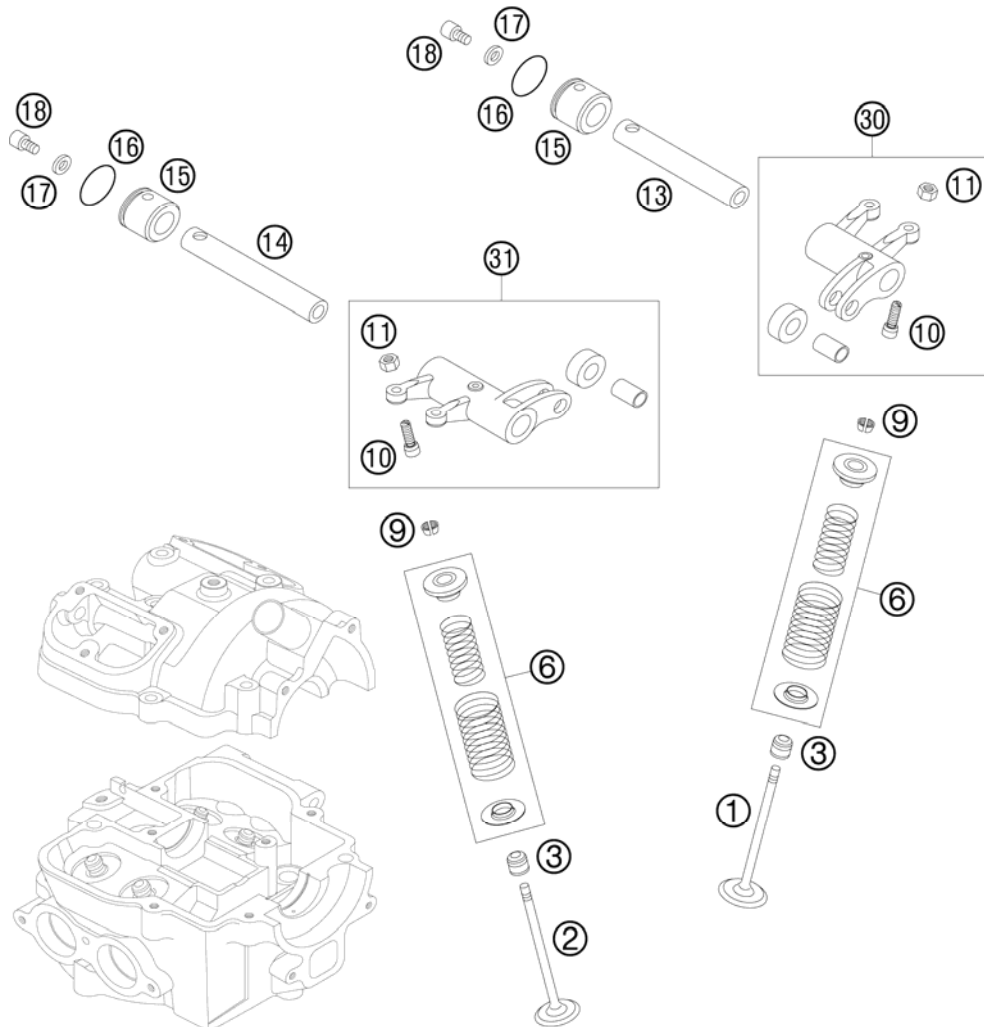


FIG	PART NUMBER	DESCRIPTION	QTY
1	59036030000	INTAKE VALVE D=35MM	2
2	59036031000	EXHAUST VALVE D=30MM	2
3	59036027000	VALVE-STEM SEALING RACING	4
6	83036028044	VALVE SPRING KIT (4X) ATV 2007	1
9	59036033000	VALVE COLLET KK 6 H	8
10	59036062000	ADJUSTMENT SCREW M6X0,75	4
11	59036062100	NUT M6X0,75	4
13	59036056000	ROCKER ARM SHAFT INTAKE	1
14	59036057000	ROCKER ARM SHAFT EXHAUST	1
15	59036061095	END CAP ROCKER ARM SHAFT	2
16	0770191016	O-RING 19,10X1,60 NBR 70	2
17	59036060010	SHIM ALU 5,2X10X2	2
18	0912050083	AH SCREW DIN 912 M 5X8	2
30	59036060144	ROCKER ARM INTAKE CPL.	1
31	59036061144	ROCKER ARM EXHAUST CPL.	1

088303610 / C088303610

* NEW PART

X AS REQUIRED

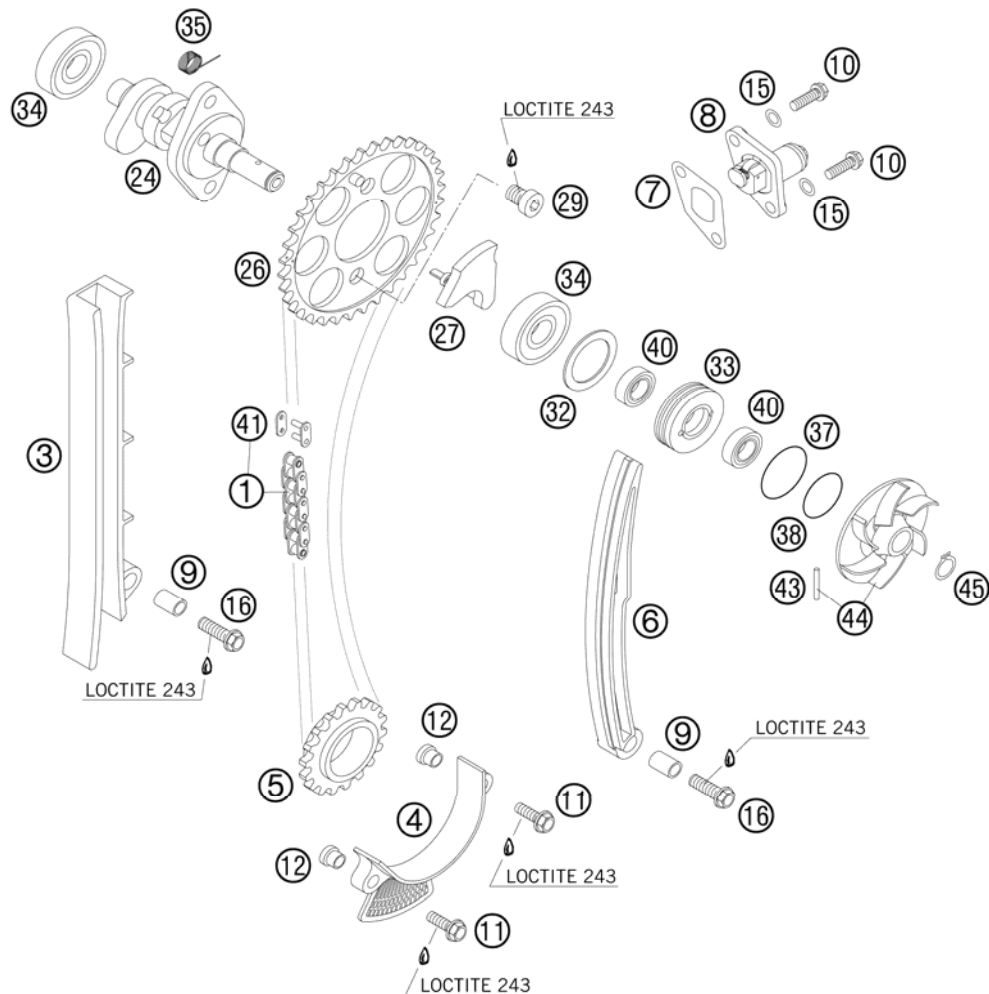


FIG	PART NUMBER	DESCRIPTION	QTY
1	59036013000	TIMING CHAIN 96 ROLLS	1
3	59036001000	TIMING CHAIN GUIDE RACING	1
4	59036018000	SECURING GUIDE RACING	1
5	59036014000	TIMING GEAR 18-T	1
6	59036002000	TIMING CHAIN TENSIONER	1
7	59036003050	GASKET TIMING CHAIN TENSIONER	1
8	59036003000	TIMINGCHAIN TENSIONER CPL.RAC.	1
9	59036001050	SPACER BUSHING 6,1X8,2X13,1	2
10	0015060203	HH COLLAR SCREW M 6X20 WS=8	2
11	0015050163	HH COLLAR SCREW M 5X16 WS=8	2
12	59036018050	SUPPORTING SLEEVE 5,2X7X10X7,7	2
15	0603061001	CU-SEAL RING DIN7603-6X10X1	2
16	0015060253	HH COLLAR SCREW M 6X25 WS=8	2
24	59036010000	CAMSHAFT 590/5521 2000	1
26	59036011100	CAMSHAFT GEAR 2003	1
27	59036016000	AUTO DECOMPRESSION SHAFT	1
29	0984080103	AH SCREW DIN7984-M 8X10	2
32	59036082000	WASHER 26,7X34X1,3	1
33	59036081100	GASKET SUPPORT	1
34	0625062014	BALL BEARING 6201	2
35	59036017000	SPRING FOR AUTODECOMPRESSION	1
37	0770291016	O-RING 29,10X1,60 NBR 70	1
38	0770020220	O-RING 25,12X1,78 NBR70	1
40	0760101844	SHAFT SEAL RING 10X18X4 BSL V.	2
41	59036013050	RIVET LINK FOR TIMING CHAIN	1
43	0402031780	NEEDLE ROL.DIN5402 NRB 3X17,8	1
44	59035055144	WATER PUMP WHEEL CPL. RAC.2001	1
45	0471100010	CIRCLIP DIN0471-10X1	1

088303620 / C088303620

* NEW PART

X AS REQUIRED

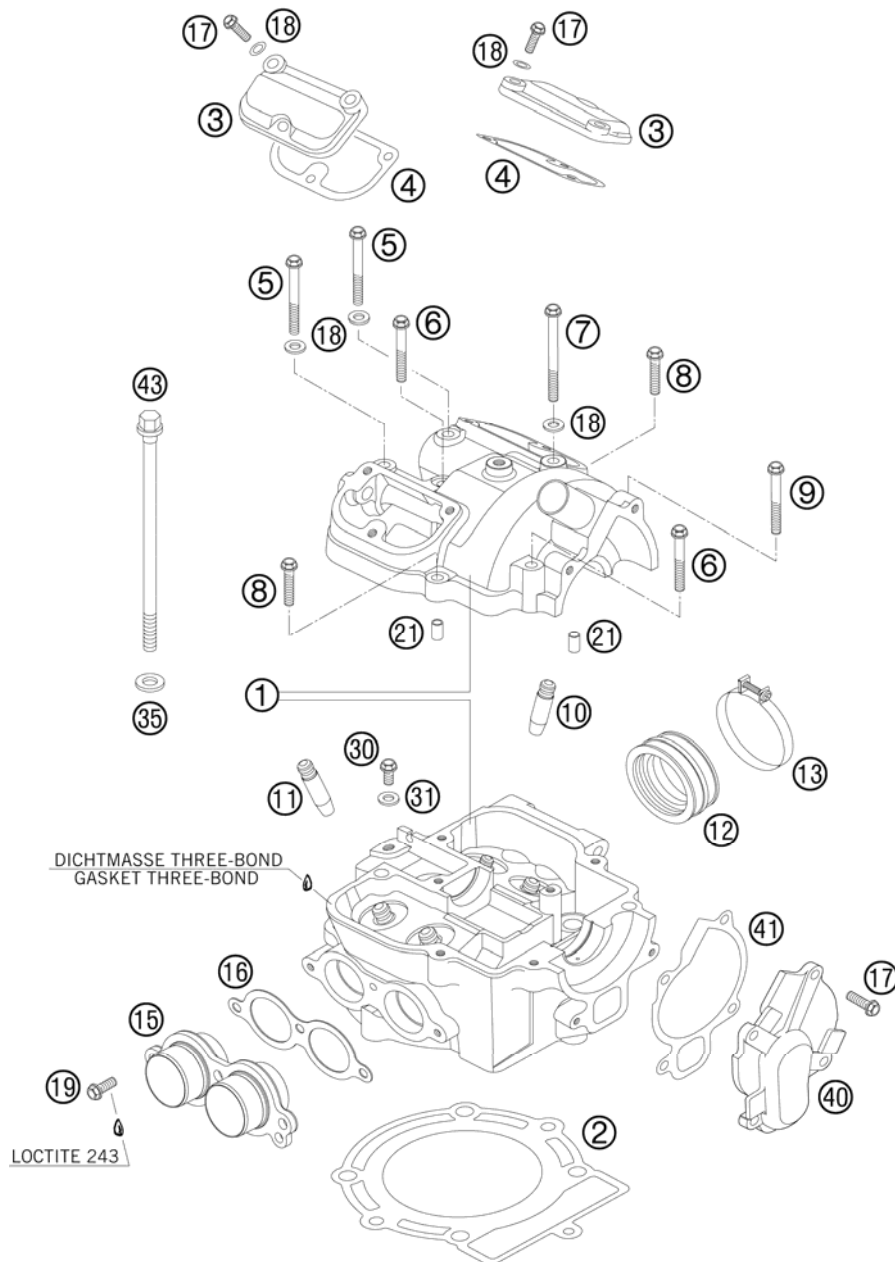


FIG	PART NUMBER	DESCRIPTION	QTY
1	83036020100	CYLINDER HEAD CPL. ATV 07	1
2	59030036000	CYLINDER HEAD GASKET 95,3 MM	1
3	58036052200	VALVE COVER REAR	2
4	58036053000	VALVE COVER GASKET	2
5	0015060556	HH COLLAR SCR. M6X55 WS=8 10.9	2
6	0015060453	HH COLLAR SCREW M 6X45 WS=8	2
7	0015060753	HH COLLAR SCREW M 6X75 WS=8	1
8	0015060303	HH COLLAR SCREW M 6X30 SW=8	2
9	0015060503	HH COLLAR SCREW M 6X50 WS=8	1
10	59036025101	VALVE GUIDE INTAKE	2
11	59036026101	VALVE GUIDE EXHAUST	2
12	77036044000	INTAKE BOOT 06	1
13	59030061000	CLAMP D=56MM B=9MM M4X25	2
15	59436039000	EXHAUST FLANGE CPL. 450/525 03	1
16	59036041000	GASKET EXHAUST FLANGE	1
17	0015060203	HH COLLAR SCREW M 6X20 WS=8	10
18	0603061001	CU-SEAL RING DIN7603-6X10X1	9
19	0015060163	HH COLLAR SCREW M 6X16 WS=8	3
21	59030023000	DOWEL 6X8X11,5	2
30	59036006090	VENT SCREW M6X10 CPL.	1
31	58036065100	CU-SEAL RING 6 X 10 X 2	1
35	59036090000	WASHER 10,8X18,8X1,5	4
40	59035052000	WATER PUMP COVER RACING 2000	1
41	59035053000	WATER PUMP COVER GASKET 0,8MM	1
43	59036079100	CYL. HEAD SCREW M10X158 WS=13	4

088303630 / C088303630

* NEW PART

X AS REQUIRED

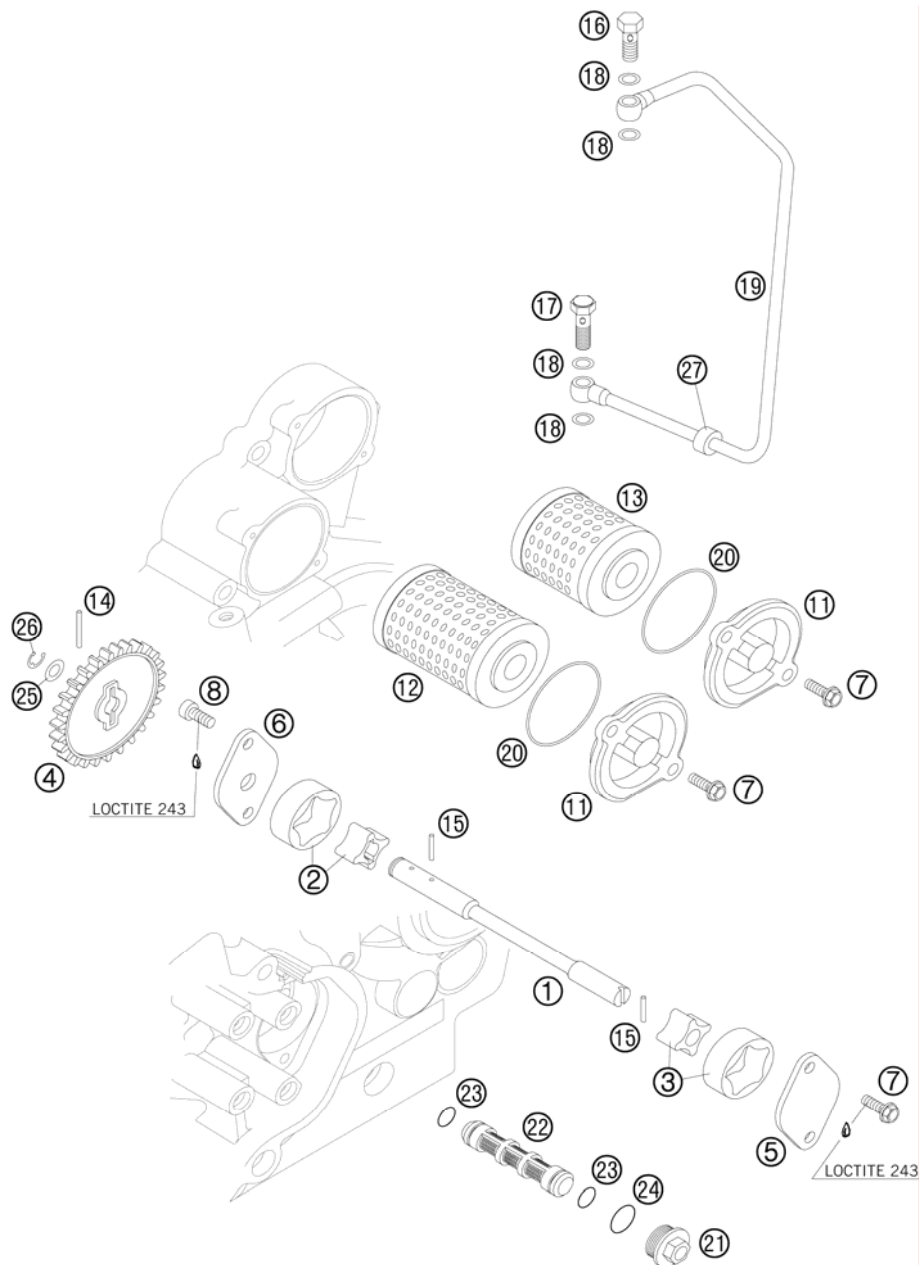


FIG	PART NUMBER	DESCRIPTION	QTY
1	83038002000	OIL PUMP SHAFT	1
2	59038011010	OILPUMP ROTOR CPL. 10MM G-73R	1
3	77038011000	OILPUMP ROTOR 15MM G-164	1
4	58438001000	OIL PUMP GEAR 26-T	1
5	59038004000	OIL PUMP COVER L/S	1
6	59038003000	OIL PUMP COVER R/S 8MM	1
7	0015050163	HH COLLAR SCREW M 5X16 WS=8	6
8	0984050122	AH SCREW DIN6912-M 5X12	2
11	59038041000	OIL FILTER COVER RACING	2
12	58038005100	OIL FILTER LONG	1
13	59038046100	OIL FILTER SHORT	1
14	0402251980	NEEDLEROL.DIN5402 NRA 2,5X19,8	1
15	0402251180	NEEDLE ROLLER DIN5402 2,5X11,8	2
16	58038029000	BANJO BOLT M8X1	1
17	59038029000	JET SCREW "100" M8X1 WS=12	1
18	0603082121	SEAL RING CU DIN7603- 8X12X1	4
19	59038035000	OIL LINE STEEL CASE-CYL.HEAD	1
20	0770400025	O-RING 40,00X2,50 NBR 70	2
21	77038017000	SCREW PLUG	1
22	59038016000	OIL SCREEN 15X83MM	1
23	0770125015	O-RING 12,5X1,5 NBR	2
24	0770020170	O-RING 17,17X1,78 GLO	1
25	58038007755	STOP DISK 8,1 X 15 X 0,5	1
26	0799060000	TAB WASHER DIN6799-RS 6,0	1
27	58405098000	RUBBERBUFFER 8X17X10 SILENC'97	1

088303810 / C088303810

* NEW PART

X AS REQUIRED

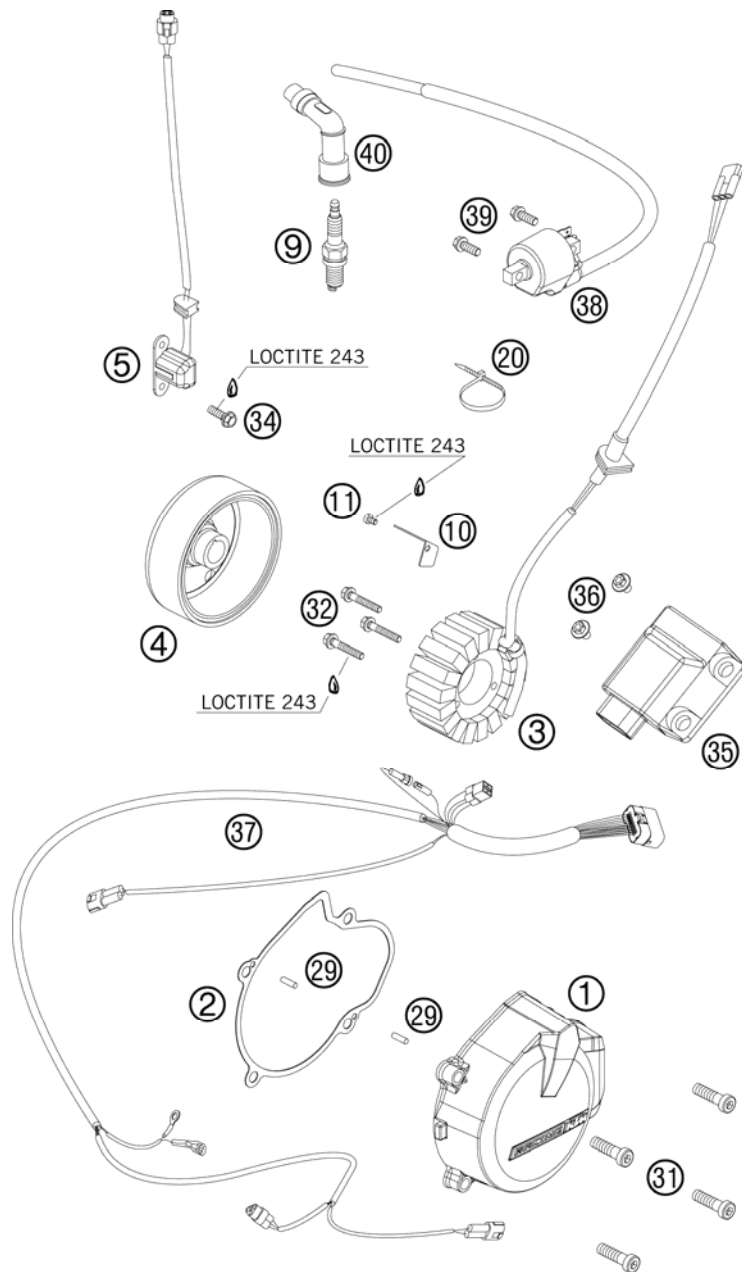


FIG	PART NUMBER	DESCRIPTION	QTY
1	8303000220025	IGNITION COVER GREY	1
2	83030040000	IGNITION COVER GASKET	1
3	83039004000	STATOR	1
4	83039005000	ROTOR	1
5	59039034000	PULSER COIL KOKUSAN 4K3-A/B	1
9	59039093100	SPARK PLUG NGK DCPR8E 03	1
10	59030002050	SUPPORT FOR WIRE	1
11	0084040063	CYL.HEAD SCREW DIN0084-M 4X 6A	1
20	44011076100	CABLE TIE 100/2,5MM BLACK	x
29	0402040980	NEEDLE ROL.DIN5402 NRB 4X9,8	2
31	0012080303	AH SCREW DIN6912-M 8X30	4
32	0015060303	HH COLLAR SCREW M 6X30 SW=8	3
34	0015050163	HH COLLAR SCREW M 5X16 WS=8	2
35	83039031100	CDI-BOX ATV 525	1
36	0023060123	COLLAR SCREW M6X12 TX	2
37	83039032000	WIRING HAR. F. CDI-BOX 525 ATV	1
38	59039006000	IGNITIONCOIL KOKUSAN 4K3-A/B	1
39	0025060166	HH COLLAR SCREW M6X16 TX30	2
40	59039090100	SPARK PLUG CONNECT. VD05EG 03	1

088303910 / C088303910

* NEW PART

X AS REQUIRED

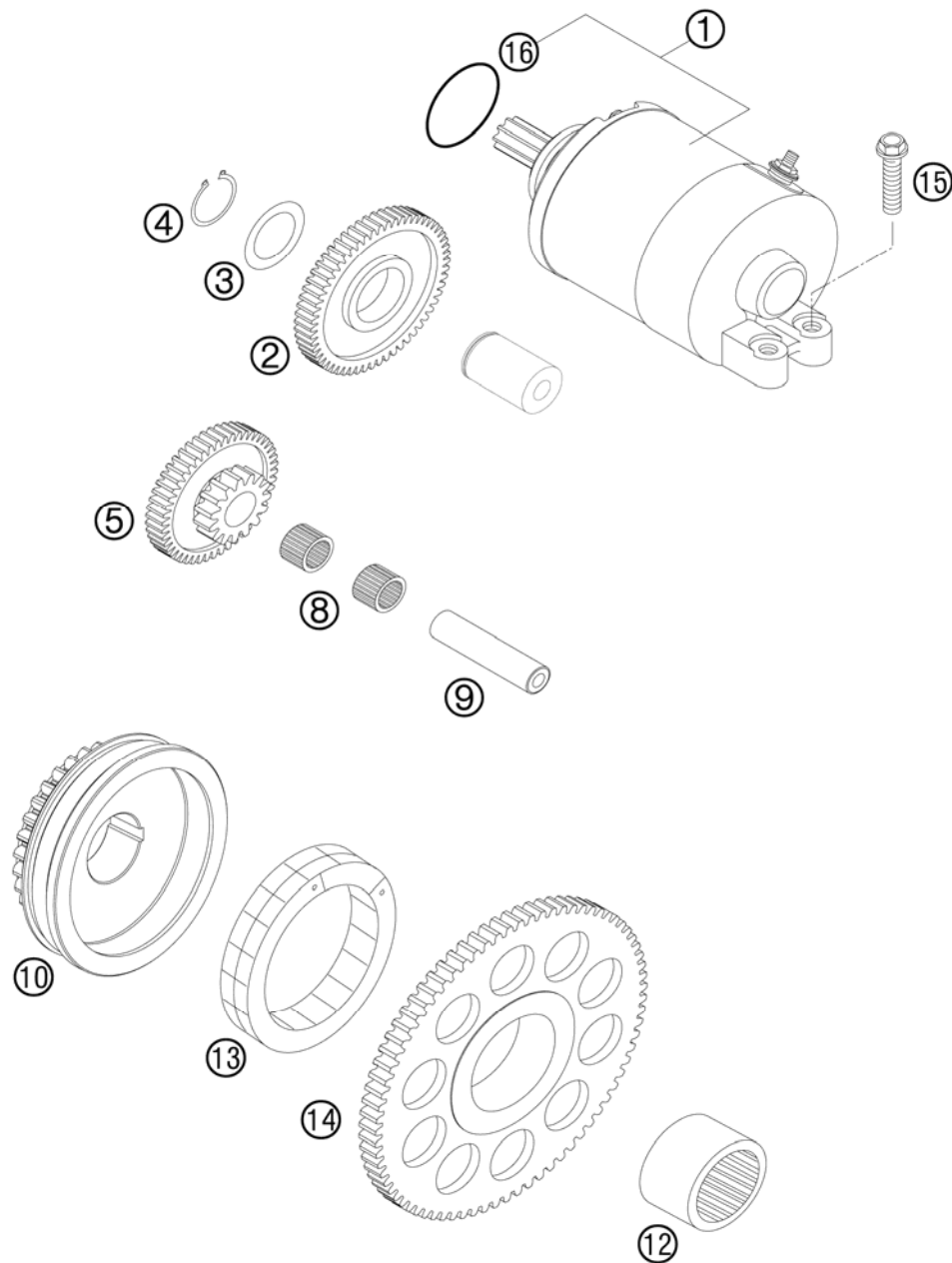


FIG	PART NUMBER	DESCRIPTION	QTY
1	59040001000	E-STARTER ENGINE KPL. 0,45 KW	1
2	59040022258	GEAR WHEEL	1
3	54633090000	STOP DISK 17,2X25X1	1
4	0471170010	CIRCLIP DIN0471-17X1	1
5	59040016000	TORQUE LIMITER 06	1
8	0405101310	NEEDLE BEARING K 10X13X10 02	2
9	59040029000	BEARING BOLT	1
10	83032022031	PRIMARY GEAR 31T CPL.	1
12	0618301617	NEEDLE BEARING HK 3016 B	1
13	58440026000	FREE-WHEEL FWD 332008 BLS	1
14	59040020175	FREEWHEEL GEAR	1
15	0015060203	HH COLLAR SCREW M 6X20 WS=8	2
16	0770250030	O-RING 25,00X3,00 NBR 70	1

088304010 / C088304010

* NEW PART

X AS REQUIRED