

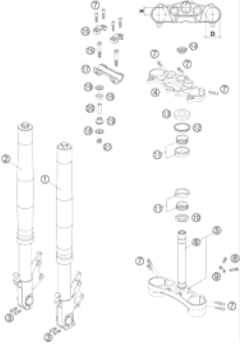
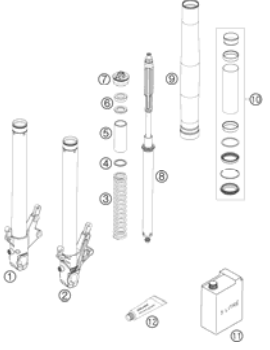


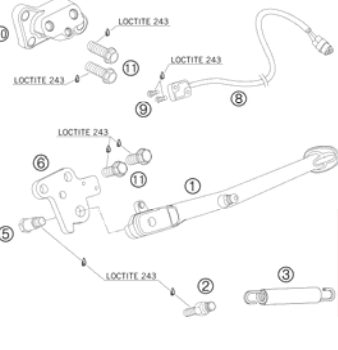
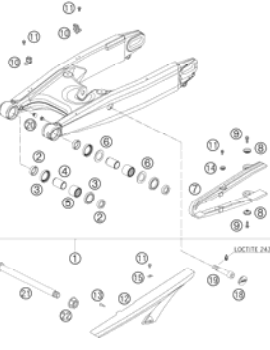
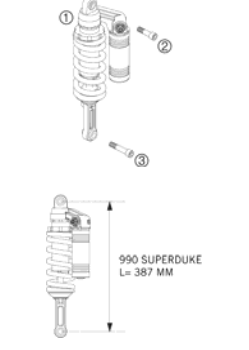
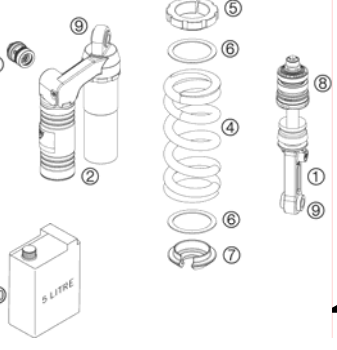


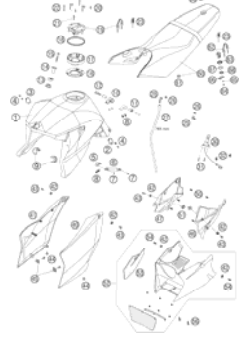

990 SUPERDUKE BLACK EU 2006

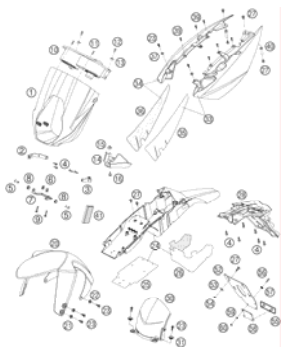
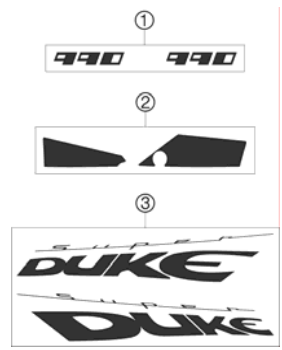
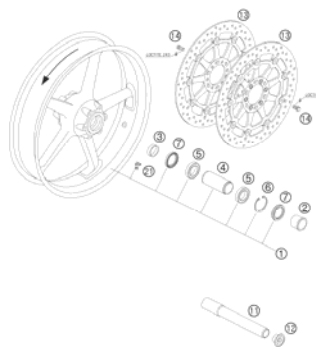
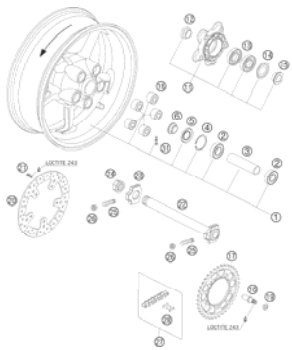

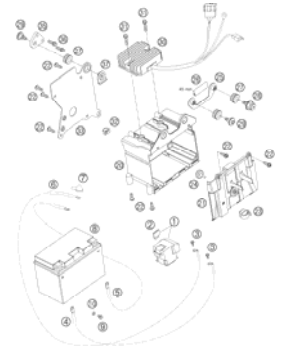
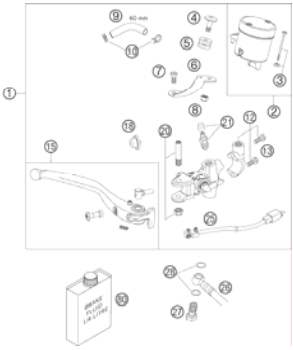
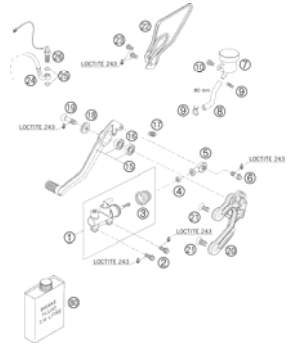
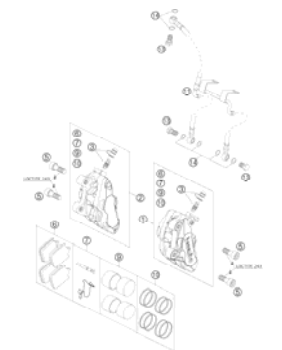
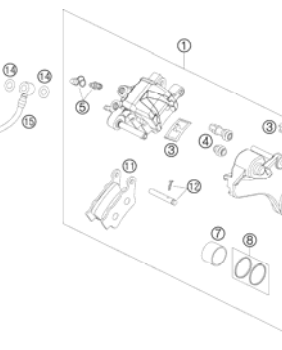
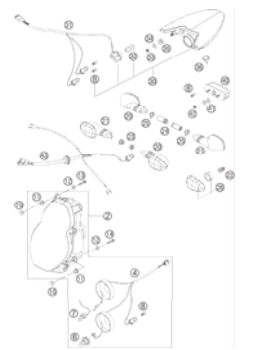

SPARE PARTS MANUAL: CHASSIS

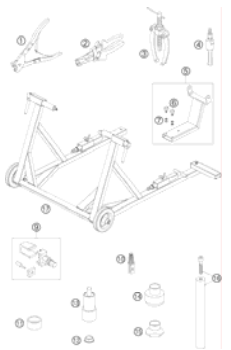
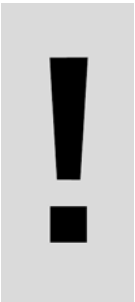
ART.NO.: 3CF9803F7EN

ENGLISH



<p>TELESCOPIC FORK</p>  <p>4</p>	<p>FORK LEGS</p>  <p>5</p>	<p>HANDLEBAR, CONTROLS</p>  <p>6</p>	<p>FRAME, SUB FRAME</p>  <p>7</p>
<p>SIDE STAND</p>  <p>8</p>	<p>SWING ARM</p>  <p>9</p>	<p>SHOCK ABSORBER</p>  <p>10</p>	<p>SHOCK ABSORBER DISASSEMBLED</p>  <p>11</p>
<p>MANIFOLD, SILENCER</p>  <p>12</p>	<p>AIR FILTER BOX</p>  <p>13</p>	<p>TANK, SEAT, COVER</p>  <p>14</p>	<p>FUEL PUMP</p>  <p>16</p>

<p>MASK, FENDERS</p>  <p>17</p>	<p>DECAL</p>  <p>19</p>	<p>FRONT WHEEL</p>  <p>20</p>	<p>REAR WHEEL</p>  <p>21</p>
<p>WIRING HARNESS</p>  <p>22</p>	<p>BATTERY BOX</p>  <p>23</p>	<p>HAND BRAKE CYLINDER</p>  <p>24</p>	<p>REAR BRAKE CONTROL</p>  <p>25</p>
<p>BRAKE CALIPER FRONT</p>  <p>26</p>	<p>BRAKE CALIPER REAR</p>  <p>27</p>	<p>LIGHTING SYSTEM</p>  <p>28</p>	<p>INSTRUMENTS, LOCK SYSTEM</p>  <p>29</p>

<p>SPECIAL TOOLS</p>  <p>30</p>			
	 <p>All information contained is without obligation. KTM-Sportmotorcycle AG particularly reserves the right to modify any equipment, technical specifications, prices, colors, shapes, materials, services, service work, constructions, equipment and the like so as to adapt them to local conditions or to cancel any of the above items, all without previous announcement and without giving reasons. KTM may stop manufacturing certain models without previous notice. KTM shall not be held liable for any deviations of availability and/or ability to deliver, illustrations, descriptions, printing and/or other errors. The illustrated models partly contain extra equipment, which is not applied to standard models. © 2004 by KTM-SPORTMOTORCYCLE AG, Mattighofen AUSTRIA; All rights reserved; Reprint, also in extracts, with written allowance of KTM-SPORTMOTORCYCLE AG, Mattighofen only.</p>		

TELESCOPIC FORK

990 SUPERDUKE BLACK EU 2006

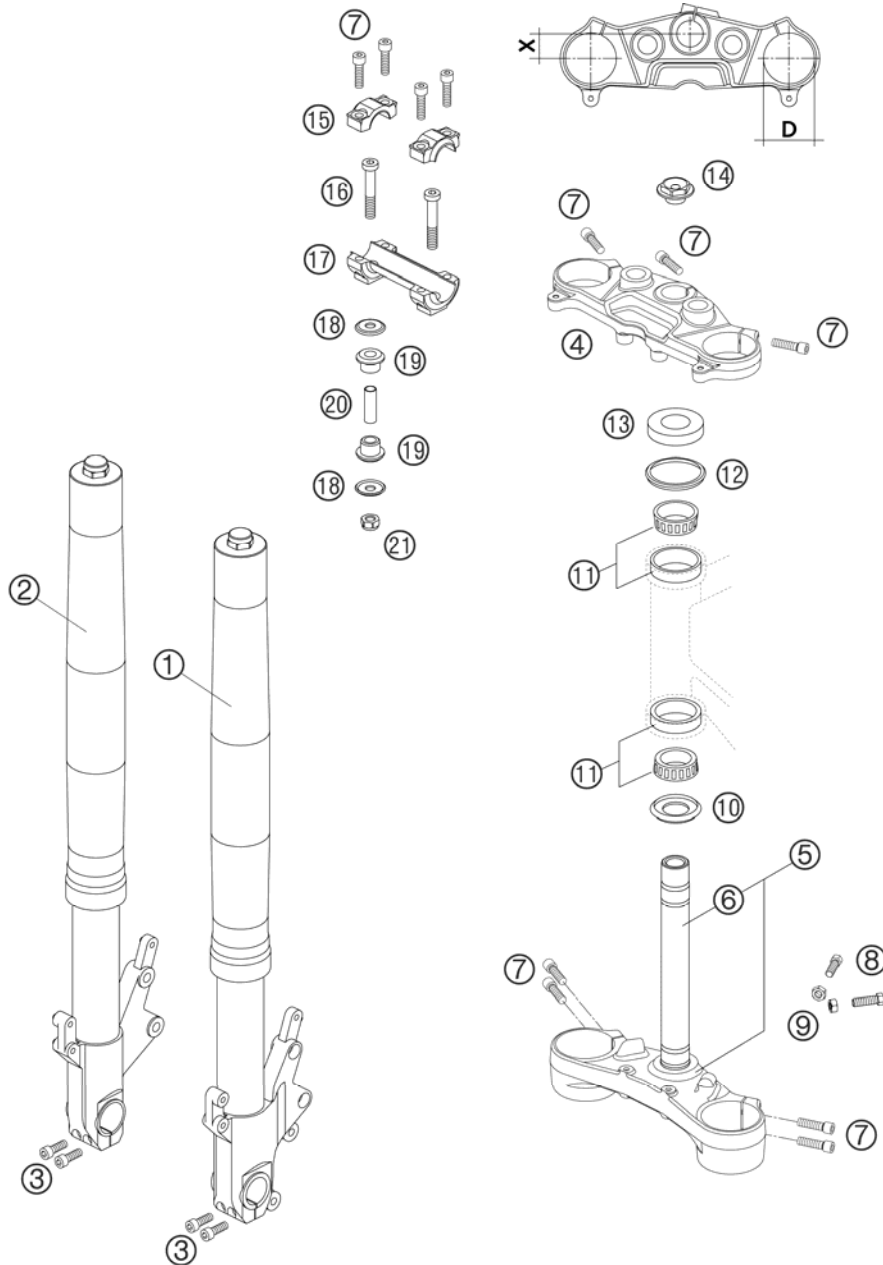


FIG	PART NUMBER	DESCRIPTION	QTY
1*	14187B13LS	FORK LEG L/S WP48 SUPERDUKE 06	1
2*	14187B13RS	FORK LEG R/S WP48 SUPERDUKE 06	1
3	0912080303	AH SCREW DIN0912-M 8X30	4
4	61001034026	TOP TRIPLE CLAMP 210/26 05	1
5	61001032026	BOT.TRIPLE CLAMP CPL. 05	1
6	60001033000	FORK TUBE LC8 ADV 03	1
7*	0012080303	AH SCREW DIN6912-M 8X30	11
8	59001037000	SPECIAL SCREW M8X26 WS=10	2
9	0934080003	HEXAGON NUT DIN0934-M 8	2
10	54601084100	O-RING SUPPORT W. SEALING LIP	1
11*	54201081100	TAPERED ROLLER BEARING CPL. 06	2
12	54601184000	STEERING HEAD GASKET TOP	1
13	61001086000	STEERING HEAD COVER 05	1
14*	54801036200	STEER.HEAD SCREW M20x1,5 SW=27	1
15	59001038300	HANDLEBAR CAMP 28MM ELOX. 05	2
16	0012100603	AH SCREW DIN6912-M10X60	2
17	59001039200	HANDLEBAR SUPPORT 28 MM ELOX.	1
18	56401042000	WASHER 10,5X32X2	4
19	56401040000	RUBBER BUSHING	4
20	61001041000	SPACER TUBE 10,2X12X38 05	2
21	0982100003	SELF LOCK.NUT DIN0982-M10 HIGH	2

066100100 / C066100100

* NEW PART

X AS REQUIRED

FORK LEGS

990 SUPERDUKE BLACK EU 2006

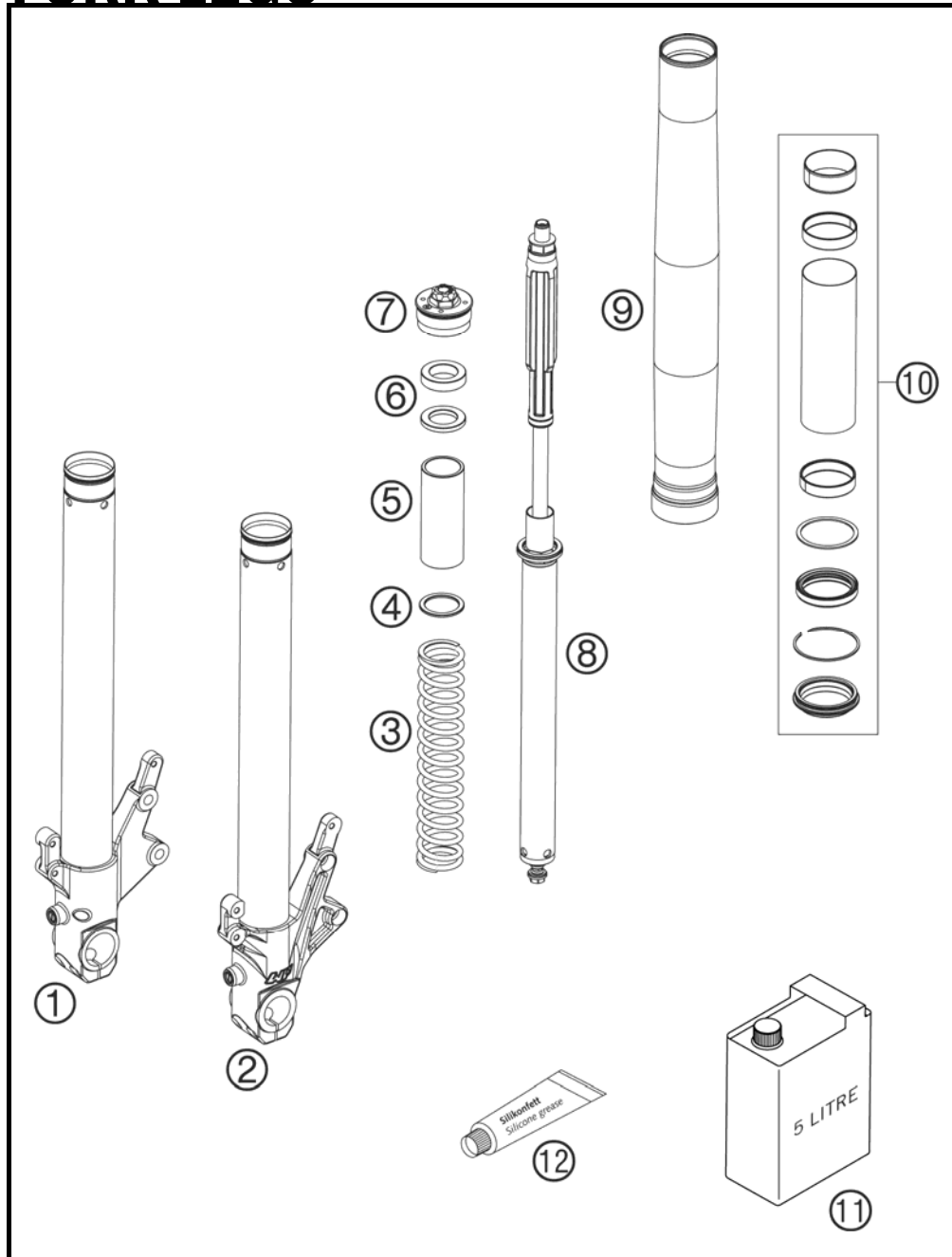


FIG	PART NUMBER	DESCRIPTION	QTY
1	48600259S1	AXLE CLAMP R/S CPL. 05	1
2	48600258S1	AXLE CLAMP L/S CPL. 05	1
3	91410034S	SPRING C=8,5 L=250 D=5,1 05	x
3	91410038S	SPRING C=9 L=250 D=5,1 05	1
3	91410039S	SPRING C=9,5 L=250 D=5,25 05	x
4	48600460	WASHER 32X42X2,5	2
5	48600361	SPACER ALU D40 X 100	2
6	48600036	SPACER 42X26,5X2,5	2
6	48600037	SPACER 42X26,5X5	2
6	48600053	SPACER 42X26,5X1,5	2
7	48600431S	PRE-LOAD ADJ. CPL. M51X1,5 05	2
8	48600358S	CARTRIDGE CPL. 05	2
9	48600362E	OUTER TUBE L=500MM D=54/60 SET	2
10	R14009	REPAIR-KIT GASKET 4860 MXMA 05	1
11	48600401S1	FORK OIL SAE 5 2005	1
12	T511	SILICONE GREASE F. DUST STRI	1

05610012 / C066100102

* NEW PART

X AS REQUIRED

HANDLEBAR, CONTROLS

990 SUPERDUKE BLACK EU 2006

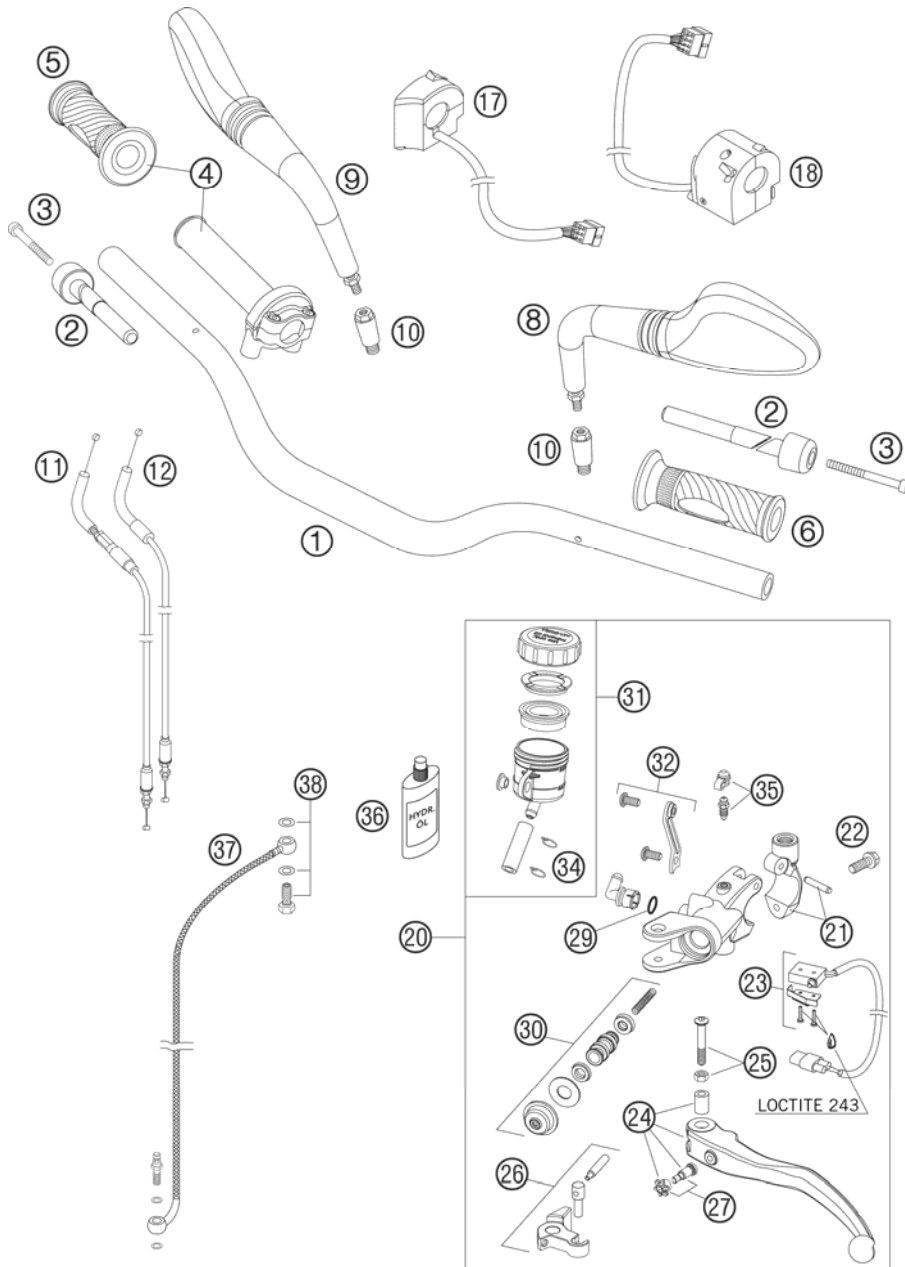


FIG	PART NUMBER	DESCRIPTION	QTY
1*	61002001100	HANDLEBAR 06	1
2	61002004000	VIBRATIONS ABSORBER 05	2
3	0912060653	AH SCREW DIN0912-M 6X65	2
4	61002010000	THROTTLE GRIP 05	1
5	61002013000	TWIST GRIP COVER PERFORATED 05	1
6	61002052000	FIXED GRIP PERFORATED 05	1
8*	58712040100	REAR MIRROR L/S 05	1
9*	58712041100	REAR MIRROR R/S 05	1
10	58412040050	SUPPORT FOR MIRROR LC4 '98	2
11	61002091000	THROTTLE CABLE OPEN 05	1
12	61002092000	THROTTLE CABLE CLOSE 05	1
17	58411074200	START-STOP SWITCH AD 03	1
18	61011070000	LIGHT SWITCH 05	1
20	61002030000	MASTER CYLINDER CPL. 05	1
21	61002044000	CLAMP MIRROR WITH PIN	1
22	0015060163	HH COLLAR SCREW M 6X16 WS=8	1
23	61011049000	CLUTCH SWITCH 05	1
24	61002031000	CLUTCH LEVER CPL. 05	1
25	61002038000	LEVER SCREW CPL. 05	1
26	61002056000	ROCKER CPL. 05	1
27	61002043000	ADJUSTING SCREW CPL.	1
29	61002051000	O-RING ANGLE PIECE	1
30	61002032000	REP.SET PISTON D=13 05	1
31	61002055000	RESERVOIR CPL. 05	1
32	61002055050	BRACKET AND SCREWS F. RESERV.	1
34	58007117000	YDNAC-CLAMP 10107 10MM	2
35	61002054000	BLEEDER SCREW WITH CAP	1
36	50302036200	OIL FOR HYD. CLUTCH 75ML	1
37	61032063000	CLUTCH PIPE 05	1
38	59032062000	HOLLOW SCREW HYDR. CLUTCH CPL.	1

066100200 / C066100200

* NEW PART

X AS REQUIRED

FRAME, SUB FRAME

990 SUPERDUKE BLACK EU 2006

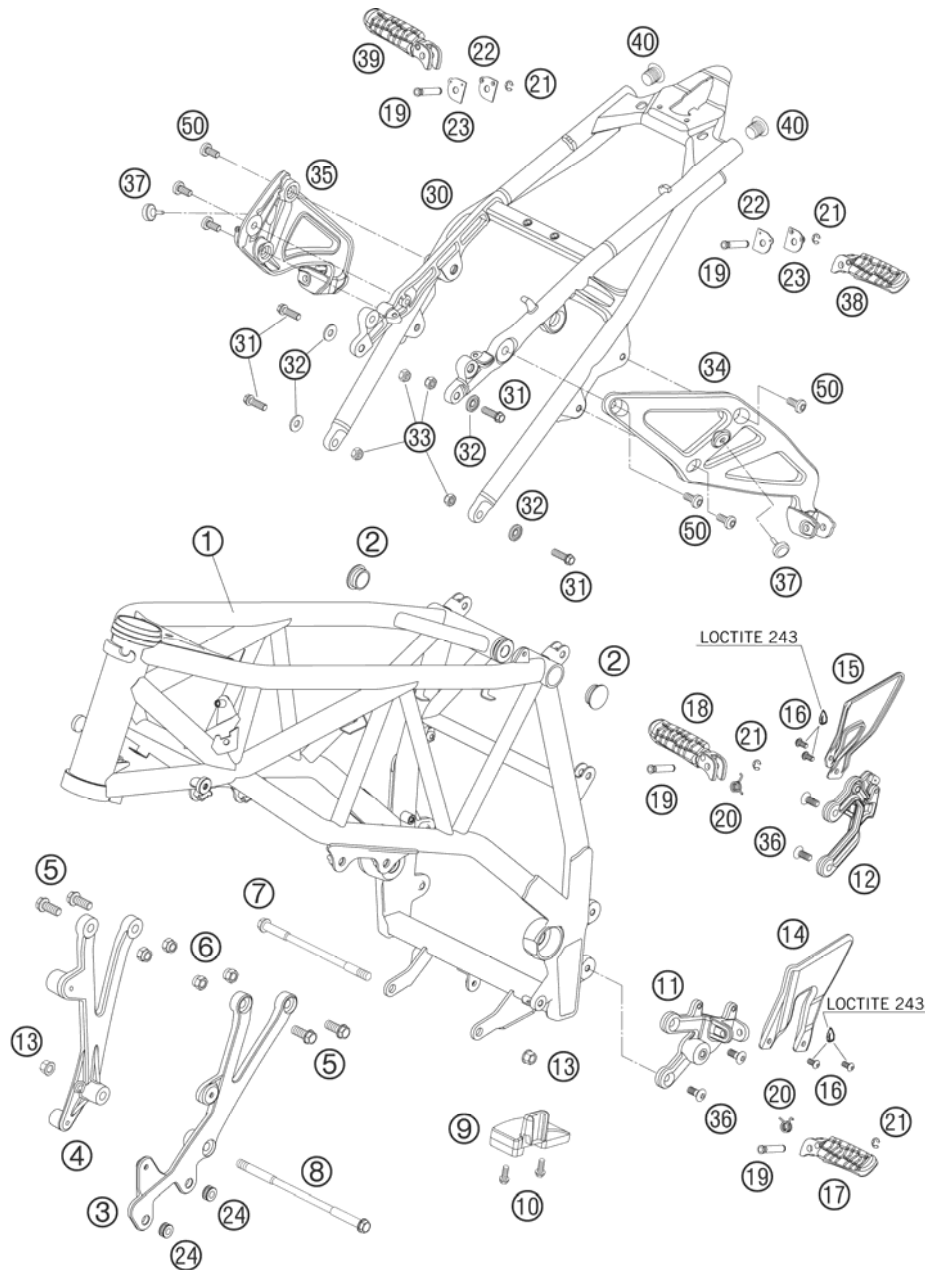


FIG	PART NUMBER	DESCRIPTION	QTY
1	6100300100030	FRAME 990 DUKE 05	1
2	61003088000	PLUG SFL28 05	2
3	61003005000	ENGINE SUPPORT LEFT 05	1
4	61003006000	ENGINE SUPPORT RIGHT 05	1
5	0015100243	HH COLLAR SCREW M10X24 WS=13	4
6	54310086100	SELF LOCKING NUT M10 CU WS=14	4
7	60003013000	ENGINE BRAC. SCREW M10X172 03	1
8	60003014000	ENGINE BRAC. SCREW M10X206 03	1
9	60004076100	CHAIN SLIDING BLOCK 05	1
10	0017060204	EJOT PT SCREW K60X20 ALU WS=6	2
11	61003038000	FOOTREST BRACKET FRONT L/S 05	1
12	61003039000	FOOTREST BRACKET FRONT R/S 05	1
13	54630044000	COLLAR NUT M10 WS=13	2
14	61034032000	COVER PLATE L/S 05	1
15	61013032000	COVER PLATE R/S 05	1
16	0738060101	COU.SUNK SCR. AH ISO7380 M6X10	4
17	61003050000	FOOTREST FRONT L/S CPL. 05	1
18	61003051000	FOOTREST FRONT R/S CPL. 05	1
19	60003044000	BOLT FOR FOOTREST REAR 03	4
20	61003042000	SPRING FOOTREST FRONT 05	2
21	0799060003	TAB WASHER DIN6799-RS 6,0	4
22	60003152000	ENGAGE PANEL FOOTREST L/S 03	2
23	60003052000	ENGAGE PANEL FOOTREST R/S 03	2
24	60003098000	RUBBER SLEEVE 03	2
30	61003002000	SUB FRAME ALUMINIUM 05	1
31	0015080303	HH COLLAR SCREW M 8X30 WS=10	4
32	61003002058	STEPPED WASHER 8,5X20X3,5 05	4
33	0926080003	STOP NUT DIN6926 M8 SS	4
34	61003048000	FOOTREST BRACKET REAR L/S 05	1
35	61003049000	FOOTREST BRACKET REAR R/S 05	1
36	54610052000	SPROCKET SCREW-AH M8X20 WS=6	4
37	60006001021	DISTANCE RUBBER AIRBOX 03	2
38	60003050000	FOOTREST CPL. L/S REAR 03	1
39	60003051000	FOOTREST CPL. R/S REAR 03	1
40	61003089000	PLUG SFL 22X1,8-3,5	2
50	61003052000	SPECIAL SCREW M8X18 06	6

066100300 / C066100300

* NEW PART

X AS REQUIRED

SIDE STAND

990 SUPERDUKE BLACK EU 2006

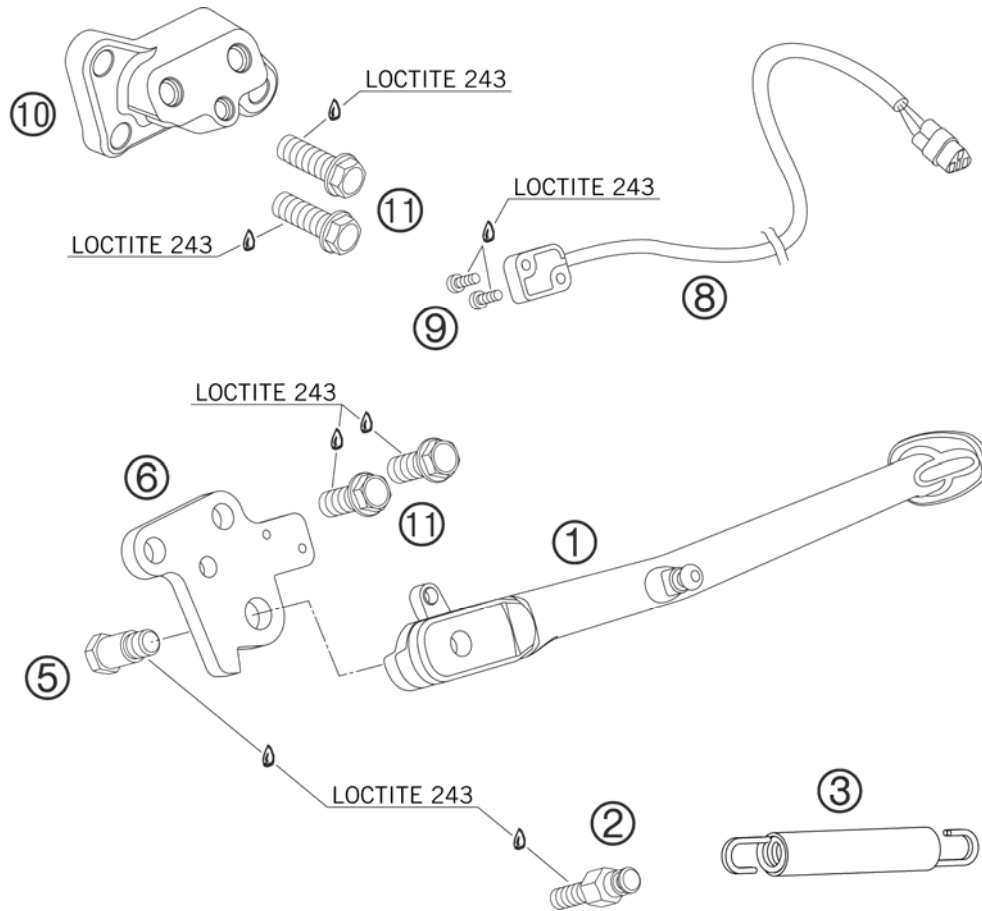


FIG	PART NUMBER	DESCRIPTION	QTY
1	61003023033	SIDE STAND CPL. 05	1
2	61003028001	SCREW SIDE STAND SPRING 05	1
3	61003024000	SPRING L=116 MM 05	1
5	58203027200	SCREW FOR SIDE STAND M10X26,7	1
6	61003028010	SIDE STAND PICKUP 05	1
8	61011045000	SIDE STAND SWITCH 05	1
9	0084040123	CYL.HEAD SCREW DIN84A M4x12	2
10	61003026000	SIDE STAND BRACKET 05	1
11	0015100303	HH COLLAR SCREW M10X30 WS=13	4

066100301 / C066100301

* NEW PART

X AS REQUIRED

SWING ARM

990 SUPERDUKE BLACK EU 2006

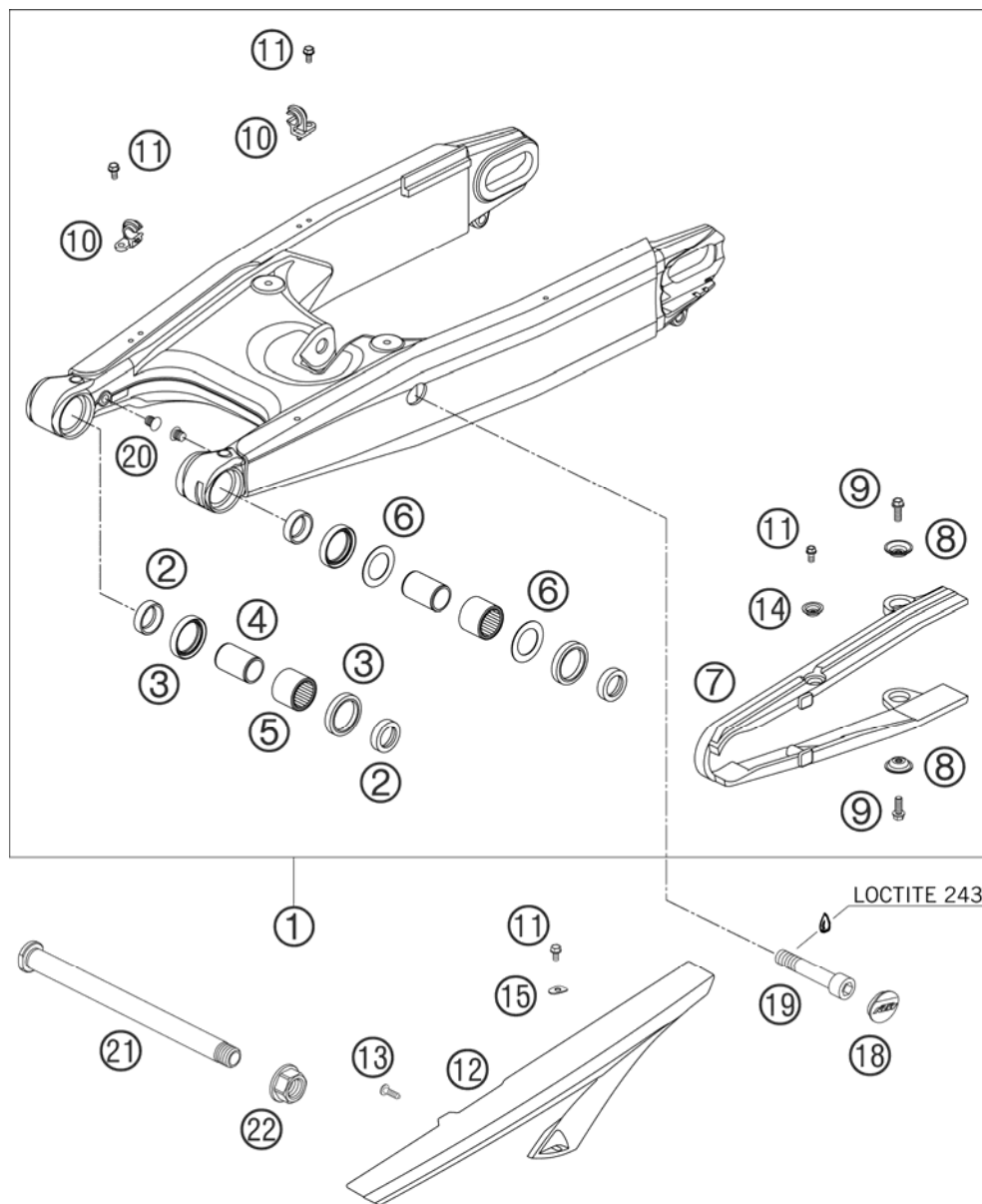


FIG	PART NUMBER	DESCRIPTION	QTY
1	61004030044	SWINGARM CPL. 990 DUKE 05	1
2	60004034000	BUCKET F. SHAFT SEAL RING 03	4
3	0760304073	SHAFT SEAL RING 30X40X7	4
4	60004032000	INNER RING JR20X25X38,5 03	2
5	60004031000	NEEDLE BUSH HK2526B 03	2
6	60004033000	STOP DISK 03	2
7	60004066100	CHAIN SLID. GUARD SWINGARM 05	1
8	72210079000	BUCKET	2
9	0015060163	HH COLLAR SCREW M 6X16 WS=8	2
10	5461107610030	RET. CLAMP F. BRAKE HOSE BLACK	2
11	0009050103	SPECIAL SCREW M 5,0X10	4
12	61004060000	CHAINGUARD 05	1
13	0081500181	SCREW FOR PLASTIC D=5X18	1
14	46104066050	BUSH FOR CHAIN SLIDER GUARD 02	1
15	61004060050	WASHER CHAINGUARD 05	1
18	60004041000	PLUG SWINGARM 03	1
19	60004017000	SCREW M14X1,5 L=73MM 03	1
20	60004042000	PLUG SFL12 GREY 05	2
21	60004037144	SWINGARM BOLT CPL. 05	1
22	60004038000	COLLAR NUT M19X1,5 WS=27MM 03	1

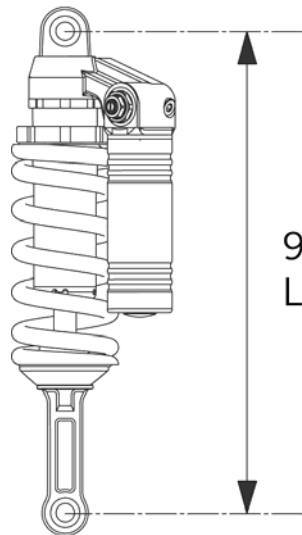
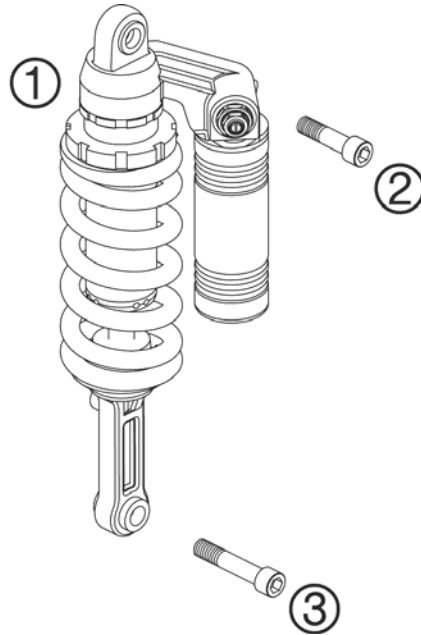
05610040 / C066100400

* NEW PART

X AS REQUIRED

SHOCK ABSORBER

990 SUPERDUKE BLACK EU 2006



990 SUPERDUKE
L= 387 MM

FIG	PART NUMBER	DESCRIPTION	QTY
1*	15187B01	MONOSHOCK 990 SUPERDUKE 06	1
2	60004016000	SCREW M14X1,5 L=55MM 03	1
3	60004017000	SCREW M14X1,5 L=73MM 03	1

066100401 / C066100401

* NEW PART

X AS REQUIRED

SHOCK ABSORBER DISASSEMBLED

990 SUPERDUKE BLACK EU 2006

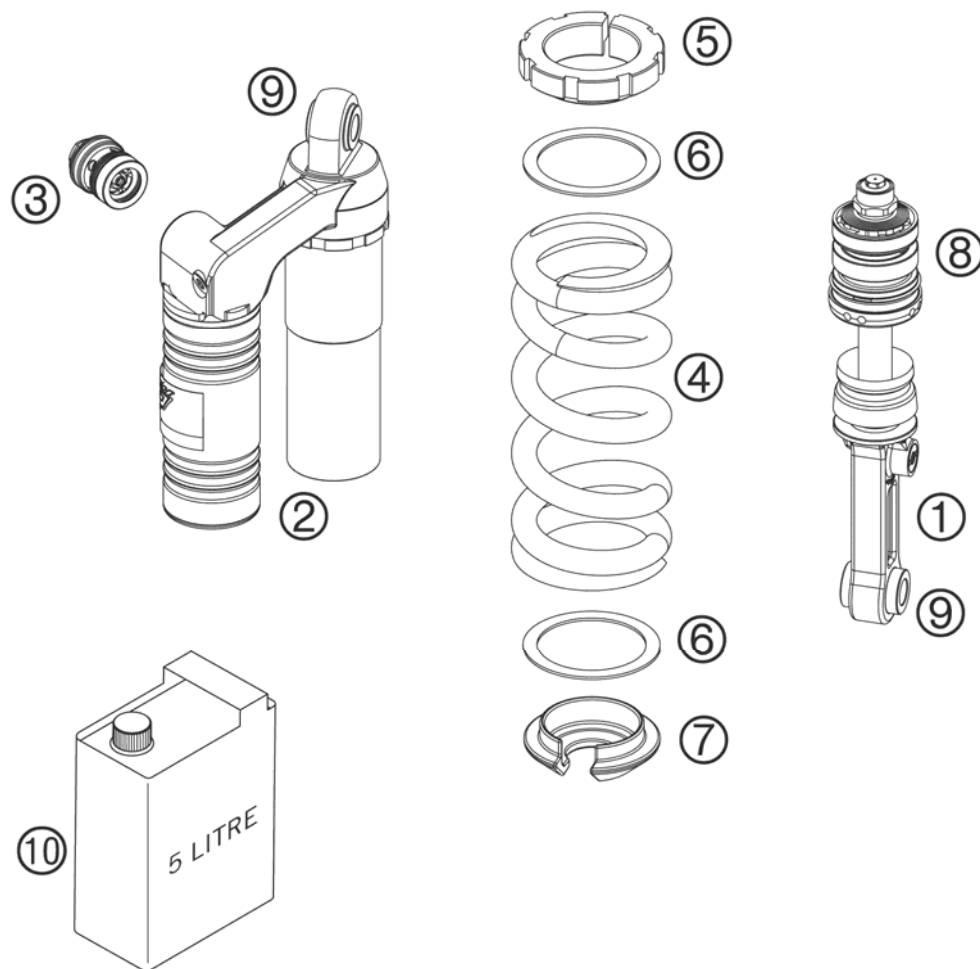


FIG	PART NUMBER	DESCRIPTION	QTY
1	46180364S1	MOUNT EYE CPL. 05	1
2	46180367S1	MONOSHOCK TOP 05	1
3	50180213S9	DCC-COMPR.DAMP.CONTROL CPL. 05	1
4	91010077	SPRING 160-185 (59) D=13,5	1
4	91010078S	SPRING (59) 170-185 D 14 05	x
4	91010235S	SPRING (59) 150- 185 D13,5 05	x
5	46180394S	ADJUSTING NUT M52X1,5	1
6	50180410	INTERM.RING D=58	2
7	46180396	SPRING RETAINER H=15 D=28	1
8	R15002	REPAIR-KIT GASKET 05	1
9	R15003	REPAIR KIT BEARINGS 05	1
10	50180466S1	SHOCK ABSORBER FLUID 5 LT 05	1

05610043 / C066100403

* NEW PART

X AS REQUIRED

MANIFOLD, SILENCER

990 SUPERDUKE BLACK EU 2006



FIG	PART NUMBER	DESCRIPTION	QTY
1	61005007000	EXHAUST PIPE FRONT 05	1
2	61005008100	EXHAUST PIPE REAR 05	1
3	61005005000	EXHAUST GASKET 05	2
4	61005009000	SPACER BUSH. 8,5X15X7,5 05	2
5	51010086100	SELF LOCKING NUT M 8 CU	5
6	0910100003	PLUG DIN0910-M 10X1	2
7	0603100141	COPPER GASKET DIN7603-10X14X1	2
8	61041090000	LAMBDA SENSOR 05	2
10	61005007049	CLAMP EXHAUST PIPE 05	1
11	0015080403	HH COLLAR SCREW M 8X40 WS=10	1
12	0021080003	WASHER DIN9021-A 8,4	1
13	51005067000	INSULATE WASHER 8,5X28X3	1
14	58405050065	COLLAR BUSH 8,5X12X23,5X10	2
15	61005015050	EXHAUST PIPE BRACKET FRONT 05	1
16	0015080353	HH COLLAR SCREW M 8X35 WS=10	2
17	54305068100	DAMP. COMPONENT SILICONE GREY	3
20	61005051100	CLAMP CPL. D=53,2MM 05	1
21	58405005001	GRAPHITRING 45X50X25	1
30	61005052000	EXHAUST CLAMP CPL. 05	1
31	61005083000	SILENCER 05	1
32	61005090020	THERMAL SHIELD SILENCER L/S 05	1
33	61005090030	THERMAL SHIELD SILENCER R/S 05	1
34	61005090022	THER.PROT.FOIL SILENCER L/S 05	1
35	61005090032	THER.PROT.FOIL SILENCER R/S 05	1
36	61005091000	DAMP. COMON. SILICONE GREY 05	6
37	54603048100	RANGE CHANGE METAL NUT M6	2
38	0738060101	COU.SUNK SCR. AH ISO7380 M6X10	2
39	61005083011	ANTI-ROTATION ELEMENT CPL. 05	2
40	0015080253	HH COLLAR SCREW M 8X25 WS=10	2
41	61005013000	RUBBER SILENCER SUPPORT 05	2
42	61005014000	SLEEVE SILENCER SUPPORT 05	2

066100500 / C066100500

* NEW PART

X AS REQUIRED

AIR FILTER BOX

990 SUPERDUKE BLACK EU 2006

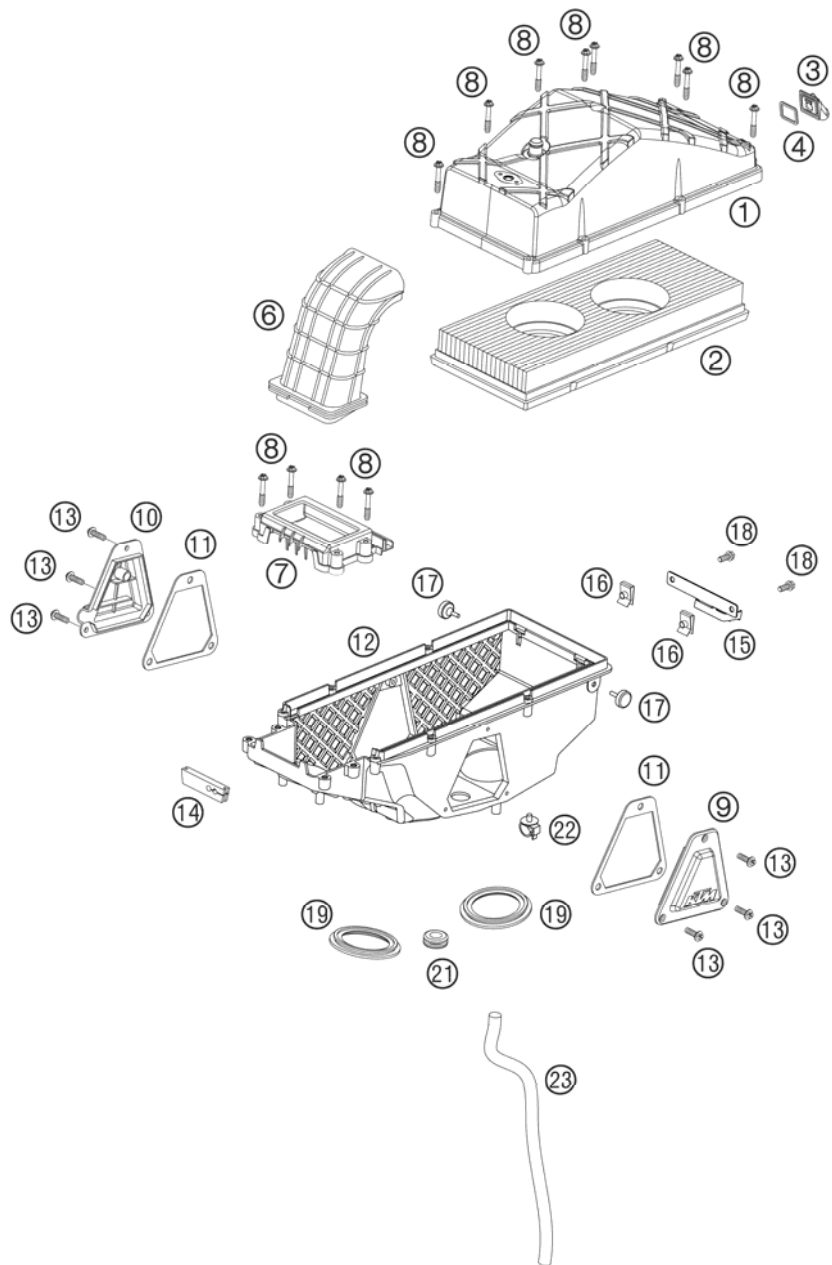


FIG	PART NUMBER	DESCRIPTION	QTY
1	61006002000	AIRBOX COVER 990 DUKE	04
2	61006015000	AIR FILTER EFI	05
3	60006007000	CONNECTOR FOR SAS LC8	03
4	60006007050	GASKET SAS CONNECTOR	03
6	60006040000	INTAKE SNORKEL	03
7	60006004000	AIRBOX FRONT PART LC8	03
8	60006006000	SPECIAL SCREW K60X35/15	03
9	60006003002	AIRBOX COVER L/S R/S	03
10	61006003002	AIRBOX COVER R/S EFI	05
11	60006003050	GASKET F. AIRBOX COVER L/S R/S	03
12	61006001000	FILTER BOX LOWER PART 990	05
13	0017060203	EJOT PT SCREW K60X20 WS=6	06
14	61006001030	RUBBER SLEEVE F. THR. CABLE	05
15	61006001020	SAS-BRACKET PANEL	05
16	54603048100	RANGE CHANGE METAL NUT M6	02
17	60006001021	DISTANCE RUBBER AIRBOX	03
18	0015060163	HH COLLAR SCREW M 6X16 WS=8	02
19	60036045000	RUBBER SLEEVE AIRBOX	03
21	60006001041	RUBBER SLEEVE FUEL HOSE	03
22	58111076000	CABLE SUPPORT KHS NR.150-47610	01
23	57005020001	HOSE 10X14 PER METER	x

05610060 / C066100600

* NEW PART

X AS REQUIRED

TANK, SEAT, COVER

990 SUPERDUKE BLACK EU 2006

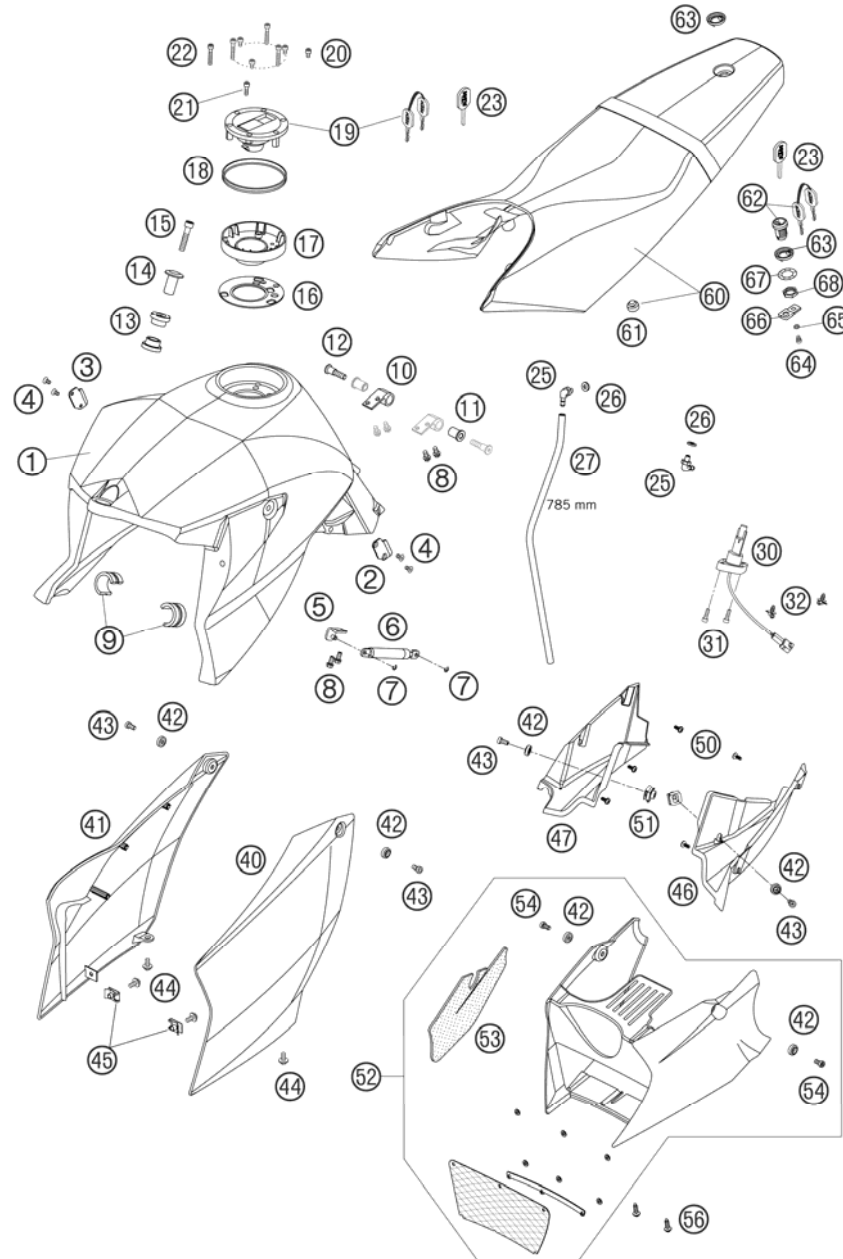


FIG	PART NUMBER	DESCRIPTION	QTY
1*	6100701310033A	FUEL TANK BLACK MATT 06	1
2	61007041000	BRACKET SEAT L/S 05	1
3	61007042000	BRACKET SEAT R/S 05	1
4	0991050102	FLAT H.SCEW DIN7991-M5X10 10.9	4
5	61007034000	MOUNTING BRACKET CPL. 05	1
6	61007035000	GAS-PRESSURE DAMPER 300N 05	1
7	0799040003	TAB WASHER DIN 6799-RS 4,0 A2	2
8	0015060123	HH COLLAR SCREW M 6X12 WS=8	6
9	61007014000	SPACER FUEL TANK 05	2
10	61007025000	BRACKET FUEL TANK 05	2
11	61007027000	RUBBER BEARING FUEL TANK 05	2
12	61007026000	SPECIAL SCREW M10X36 AH 05	2
13	61007065000	TANK RUBBER BUSHING FRONT 05	2
14	61007060000	BEARING BUSHING OUTSIDE 05	1
15	0912080403	AH SCREW DIN912 M8X40	1
16	60007008051	SEAL. FLANGE F.TANK INSERT 03	1
17	60007008150	TANK INSERT 05	1
18	60007008052	SEAL. RING F. TANK INSERT 03	1
19	61007008000	TANK PLUG CPL. 05	1
20	0912050083	AH SCREW DIN 912 M 5X8	3
21	0912050123	AH SCREW DIN0912-M 5X12	1
22	0912050303	AH SCREW DIN0912-M 5X30	3
23	40011166100	KEY BLANK LC4/DUKE/LC8	x
25	60007024000	CONNECT.PIECE F.OVERFLOW M7 03	2
26	60007024050	GASKET FOR CONNECTING PIECE 03	2
27	60007026001	HOSE NBR 5,4X9,4 PER METER	x
30*	61007080000	GAS-LEVEL SENSOR 06	1
31*	0912050163	AH SCREW DIN0912-M 5X16	2
32*	61011094000	CABLE TIE WITH PLUG M6	2
40	6100805000030A	SPOILER L/S BLACK 05	1
		WITH DECAL	
41	6100805100030A	SPOILER R/S BLACK 05	1
		WITH DECAL	
42	60008045000	SPECIAL WASHER D=16,5MM 03	6
43	0012060123	AH SCREW DIN6912 M6X12	4
44	0014060133	HH COLLAR SCREW M 6X13 WS=8	4

066100700 / C066100701

* NEW PART

X AS REQUIRED

TANK, SEAT, COVER

990 SUPERDUKE BLACK EU 2006

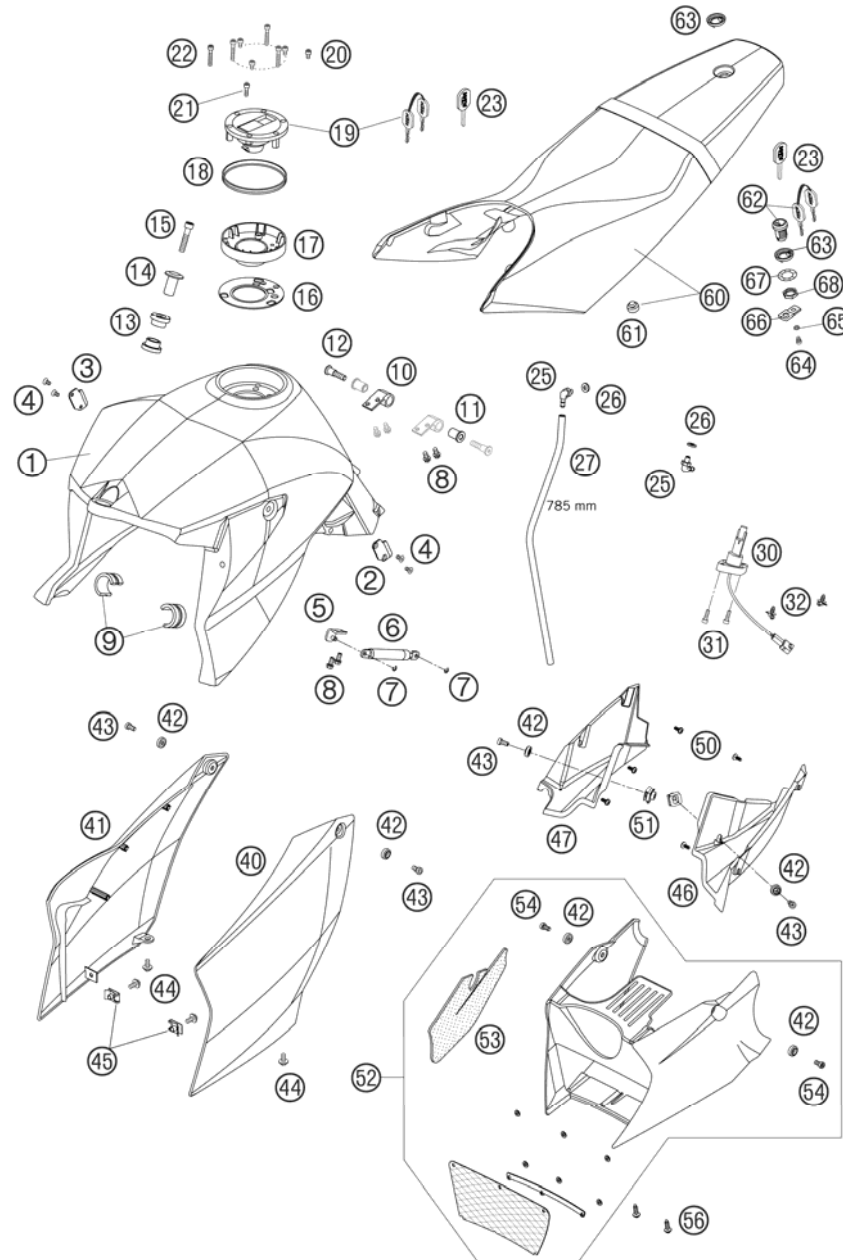


FIG	PART NUMBER	DESCRIPTION	QTY
45	54603048100	RANGE CHANGE METAL NUT M6	2
46	61008050050	AIR INTAKE L/S 05	1
47	61008051050	AIR INTAKE L/S 05	1
50	0016050121	SCREW FOR PLASTIC D=5X12	5
51	50235033300	SNAP-NUT HOLDER M6 KP142	2
52	6100802004430A	FRONT SPOILER CPL. BLACK 05 WITH DECAL	1
53	61008020050	THERMAL PROTECTION FOIL 05	1
54	0012060164	AH SCREW DIN6912 M6X16 SL	2
56	0017060203	EJOT PT SCREW K60X20 WS=6	2
60	6100704000030	SEAT BLACK 05	1
61	61007040010	DISTANCE RUBBER SEAT 05	6
62	61007050000	SEAT LOCK 05	1
63	61007052000	SPACER RING SEAT LOCK 05	1
64	61007050020	SCREW M4 AF32 05	1
65	61007050010	WASHER AF150 05	1
66	61007050040	CLOSING PANEL TR248 05	1
67	61007050050	WASHER TR12.01 05	1
68	61007050030	NUT M19 X1 AF36 05	1

066100700 / C066100701

* NEW PART

X AS REQUIRED

FUEL PUMP

990 SUPERDUKE BLACK EU 2006

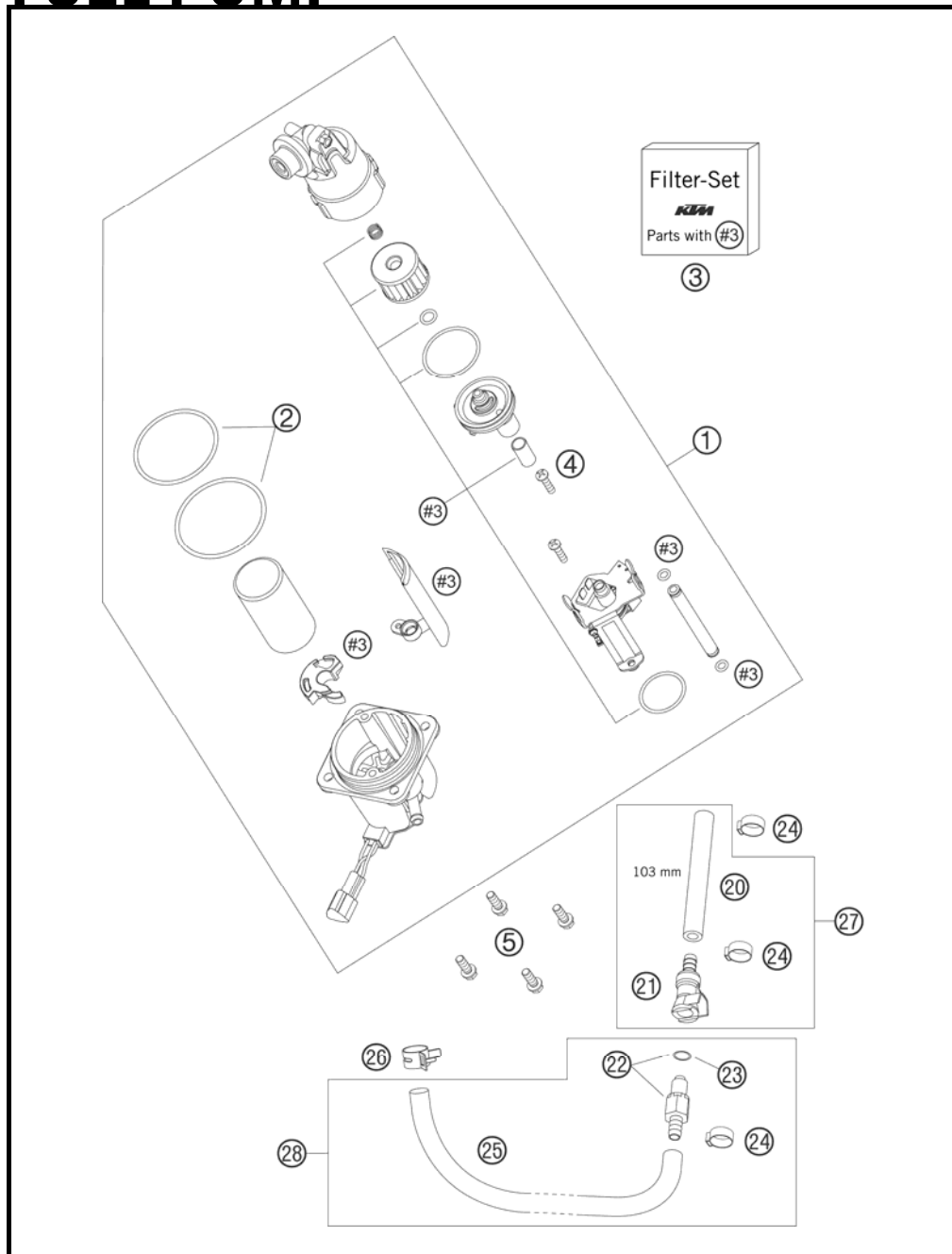


FIG	PART NUMBER	DESCRIPTION	QTY
1*	61007088100	FUEL PUMP 06	1
2	61007089000	O-RING SET FOR FUEL PUMP 05	1
3	61007090000	FILTER-SET FUEL PUMP 05	1
4	61007091000	SCREW FOR FILTER-SET 05	2
5	0015060163	HH COLLAR SCREW M 6X16 WS=8	4
20	60007016001	HOSE 7,5X13,5 PER METER	x
21	5850701050030	CLUTCH CPC BLACK 05	1
22	5850701030030	PLUG CPC BLACK 05	1
23	58507012000	O-RING VITON F. PLUG CPC 05	1
24	00050153706	VARIABLE ONE-EAR CLAMP 15,3MM	3
25	61007016000	FUEL HOSE 05	1
26	00049140121	CLAMP STD DN14	1
27	61007016051	FUEL HOSE 2 CPL. 05	1
28	61007016050	FUEL HOSE 90° 1 CPL. 05	1

066100707 / C066100707

* NEW PART

X AS REQUIRED

MASK, FENDERS

990 SUPERDUKE BLACK EU 2006

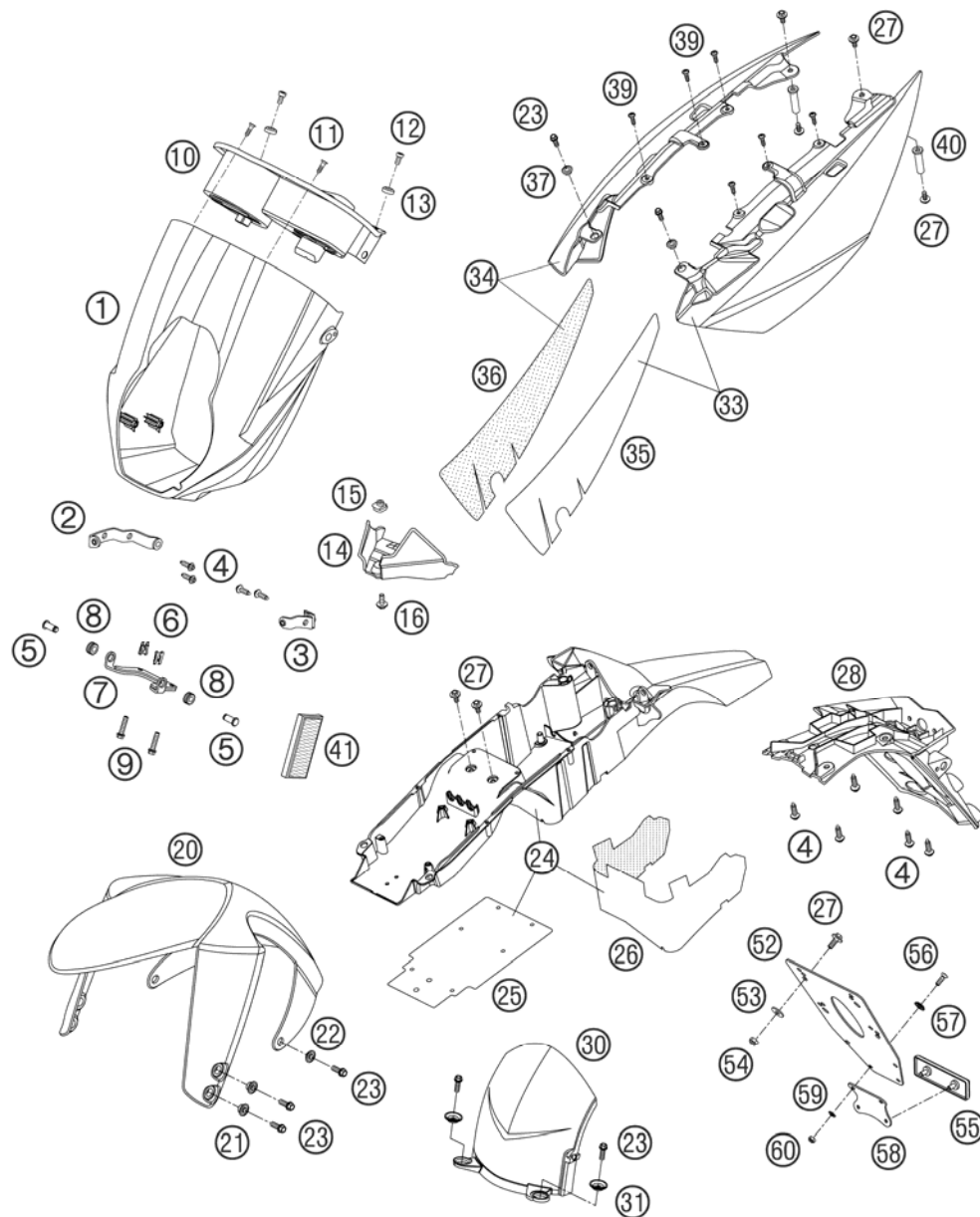


FIG	PART NUMBER	DESCRIPTION	QTY
1	6100800100030A	HEAD LIGHT MASK BLACK 05	1
2	61008005000	MASK BRACKET R/S CPL. 05	1
3	61008004000	MASK BRACKET L/S CPL. 05	1
4	0017060203	EJOT PT SCREW K60X20 WS=6	10
5	60013057000	BOLT F. LINK FORK 8X20X16,5	2
6	60013058000	SECURING CLIP D=8MM 03	2
7	58708002000	HINGE JOINT BOTTOM 99	1
8	31008060000	RUBBER SLEEVE D=8MM OPEN	2
9	0015060453	HH COLLAR SCREW M 6X45 WS=8	2
10	61014070000	INSTRUMENT COVER 05	1
11	0017050181	SCREW FOR PLASTIC D=5X18	2
12	0012060123	AH SCREW DIN6912 M6X12	2
13	60008045000	SPECIAL WASHER D=16,5MM 03	2
14	61003094000	SPLASH PROTECT. FRAME HEAD 05	1
15	50235033300	SNAP-NUT HOLDER M6 KP142	1
16	0014060153	HH COLLAR SCREW M 6X15 WS=8	1
20*	5870801000033C	FENDER FRONT BLACK MATT 06	1
21	50308053000	BUSH FOR SPOILER 6X11X16X7,5	4
22	50308052000	BUSH FOR SPOILER 6X11X16X5 MM	2
23	0015060163	HH COLLAR SCREW M 6X16 WS=8	10
24	61008019044	REAR END LOWER PART CPL. 05	1
25	61008021000	THERMAL PROTECTION FOIL 05	1
26	61008021100	THERMAL PROTECTION FOIL 05	1
27	0014060153	HH COLLAR SCREW M 6X15 WS=8	10
28	61008015000	NUMB.PLATE CARRIER 05	1
30	61008014000	SPLASH PROTECT. 05	1
31	72210079000	BUCKET	2
33*	6100804100033B	REAR TOPPART L/S BLACK MAT 06	1
34*	6100804200033B	REAR TOPPART R/S BLACK MAT 06	1
35	61008041050	THERMAL PROTECTION FOIL L/S 05	1
36	61008042050	THERMAL PROTECTION FOIL R/S 05	1
37	50308053000	BUSH FOR SPOILER 6X11X16X7,5	2
39	0081500181	SCREW FOR PLASTIC D=5X18	6
40	61008019050	SPECIAL NUT FOR REAR END 05	2
41	58412080100	REFLECTOR YELLOW '99 ONLY FOR AUS+UK	2

05610080 / C066100801

* NEW PART

X AS REQUIRED

MASK, FENDERS

990 SUPERDUKE BLACK EU 2006

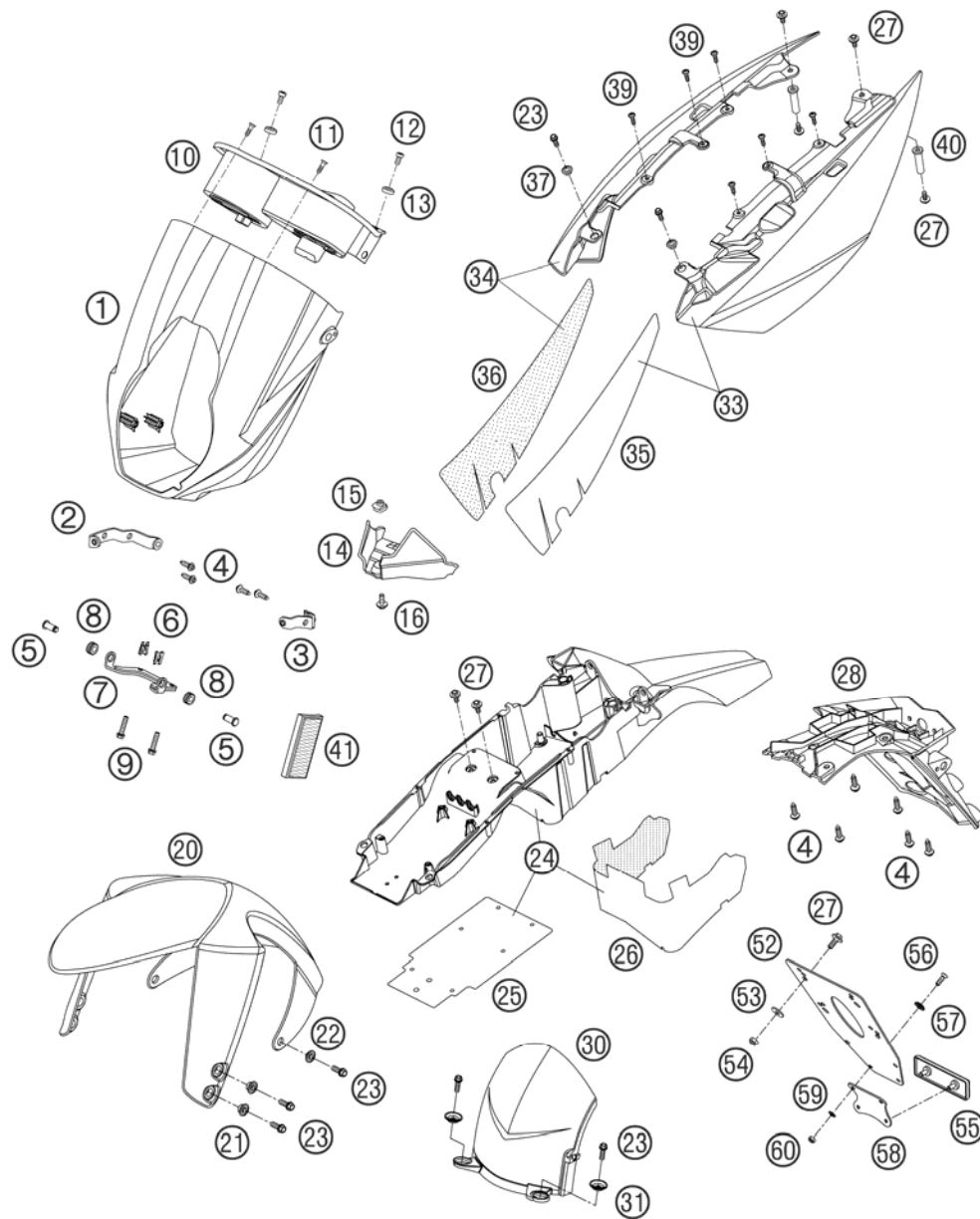


FIG	PART NUMBER	DESCRIPTION	QTY
52	60012081100	LICENCE NUMBER PLATE 05	1
53	0021060003	WASHER DIN9021-A 6,4	4
54	0985060003	SELF LOCK. NUT DIN0985-M 6	4
55	58412080000	REFLECTOR RED LC4 '98	1
56	0966050163	OVAL HEAD SCREW DIN0966-M 5X16	2
57	40006006000	WASHER 6MM	2
58	58412080050	BRACKET FOR REFLECTOR	1
59	0125050003	WASHER DIN0125-A 5,3	2
60	0985050003	SELF LOCKING NUT DIN0985-M 5	2

05610080 / C066100801

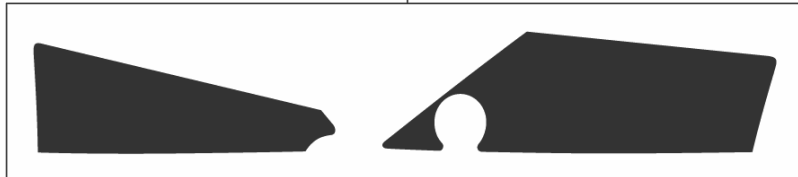
* NEW PART

X AS REQUIRED

①



②



③



FIG	PART NUMBER	DESCRIPTION	QTY
1	61008099000	DISPLACEMENT STICKER BLACK 05	1
2	61008096100	STICKER BUGSPOILER BLACK 05	1
3	61008098050	STICKER TANKSPOILER GREY 05	1

066100807 / C066100808

* NEW PART

X AS REQUIRED

FRONT WHEEL

990 SUPERDUKE BLACK EU 2006

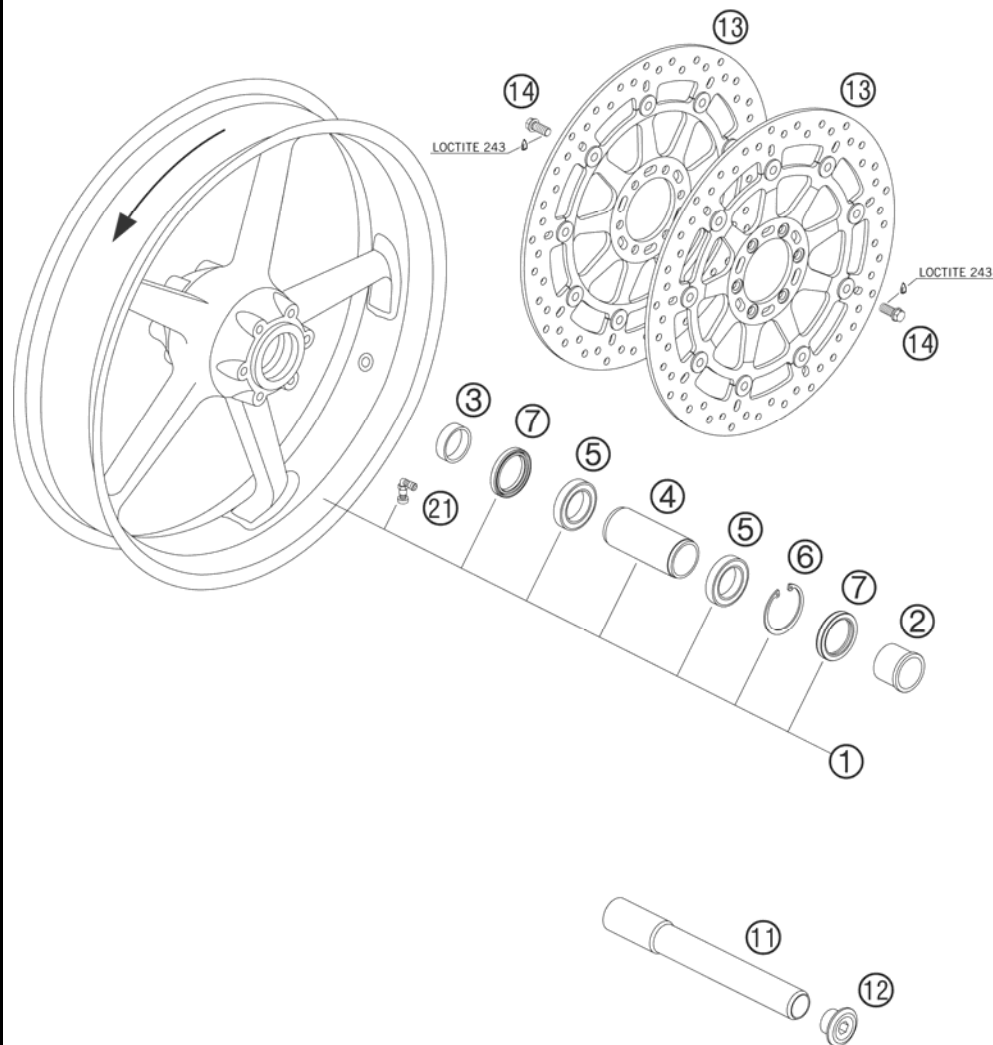


FIG	PART NUMBER	DESCRIPTION	QTY
1	61009001044	FRONT WHEEL CPL. 05	1
2	61009012000	SPACER BUSH. FR. WHEEL L/S 05	1
3	60009013000	SPACER BUSH. FR. WHEEL R/S 03	1
4	61009011000	BEARING SPACER TUBE FRONT 05	1
5	0625069068	GR.BALL BEAR.6906 DDU2CG23S6NM	2
6	0472048175	LOCK RING DINO472-48X1,75	1
7	0760354771	SHAFT SEAL RING 35X47X7 TC	2
11	61009081000	WHEEL SPINDEL FRONT 05	1
12	61009082000	AH SCREW M25X1,5 WS=12 05	1
13	61009060000	BRAKE DISK FRONT 320MM 05	2
14	61009062018	SPECIAL SCREW M8X18 05	12
21	61009076000	VALVE ANGLED 90° 05	1

066100900 / C066100900

* NEW PART

X AS REQUIRED

REAR WHEEL

990 SUPERDUKE BLACK EU 2006

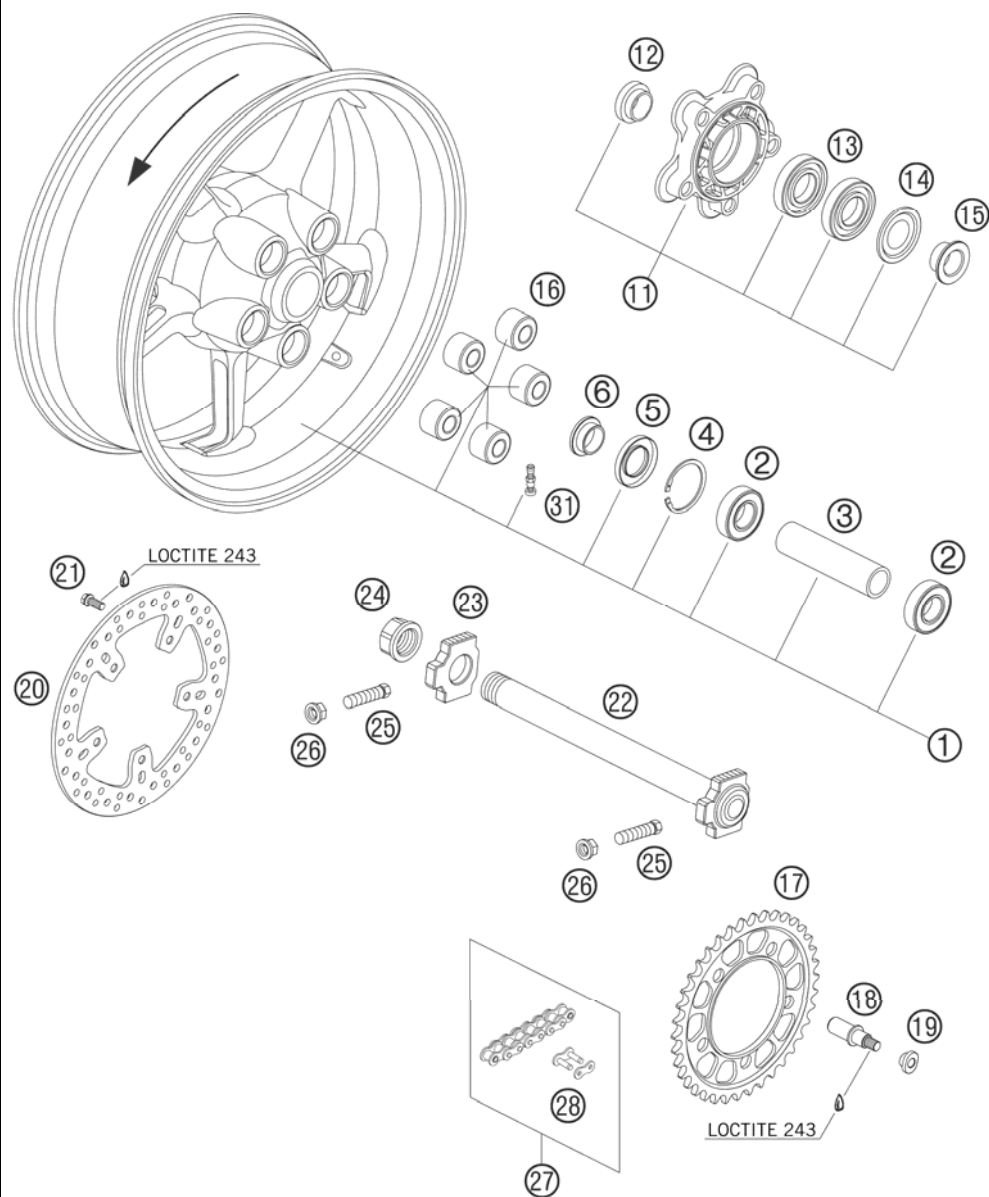


FIG	PART NUMBER	DESCRIPTION	QTY
1	61010001044	REAR WHEEL CPL. 05	1
2	0625062052	GR.BALL BEAR. 6205-2RSHC3HMTF7	2
3	61010011000	BEARING SPACER TUBE REAR 05	1
4	0472052200	CIRCLIP DIN0472-52X2	1
5	0760305271	SHAFT SEAL RING 30X52X7	1
6	60010013000	SPACER BUSH. REAR WHEEL R/S 03	1
11*	61010050144	SPROCKET SUPPORT CPL. 06	1
12*	60110014000	SPACER BUSH. SPR. SUPP. IN. 06	1
13*	0625060060	BALL BEARING 6006 DDU2CG23S6NM	2
14*	60110016000	NILOS RING 6006AV	1
15*	60110012000	SPACER BUSH. SPROCKET SUPP. 06	1
16	61010059000	DAMPING RUBBER 05	5
17	61010051138	REAR SPROCKET 38-T STEEL 05	1
17	61010051139	REAR SPROCKET 39-T STEEL 05	x
17	61010051140	REAR SPROCKET 40-T STEEL 05	x
18	61010056000	BOLT FOR SPROCKET SUPPORT 05	5
19	61010057000	NUT REAR SPROCKET 05	5
20	61010060000	BRAKE DISK REAR D=240MM 05	1
21	61009062018	SPECIAL SCREW M8X18 05	5
22	60010081044	WHEEL SPINDLE REAR CPL. 03	1
23	60010084000	CHAIN TENSIONER R/S LC8 03	1
24	61010086000	COLLAR NUT M25X1,5 WS=32 05	1
25	50304040100	SCREW M10X1,25X50 WS=10	2
26	58414030000	HH COLLAR NUT M10X1,25 WS=13	2
27	60010165118	CHAIN 525 WITH MASTER LINK 03	1
		CUT TO 110 CHAIN LINKS	
28	60010066000	MASTER LINK FOR CHAIN 525 03	x
		NEED RIVET TOOL	
31	58709076000	VALVE CPL. BREMBO DUKE 2003	1

066101001 / C066101000

* NEW PART

X AS REQUIRED

WIRING HARNESS

990 SUPERDUKE BLACK EU 2006

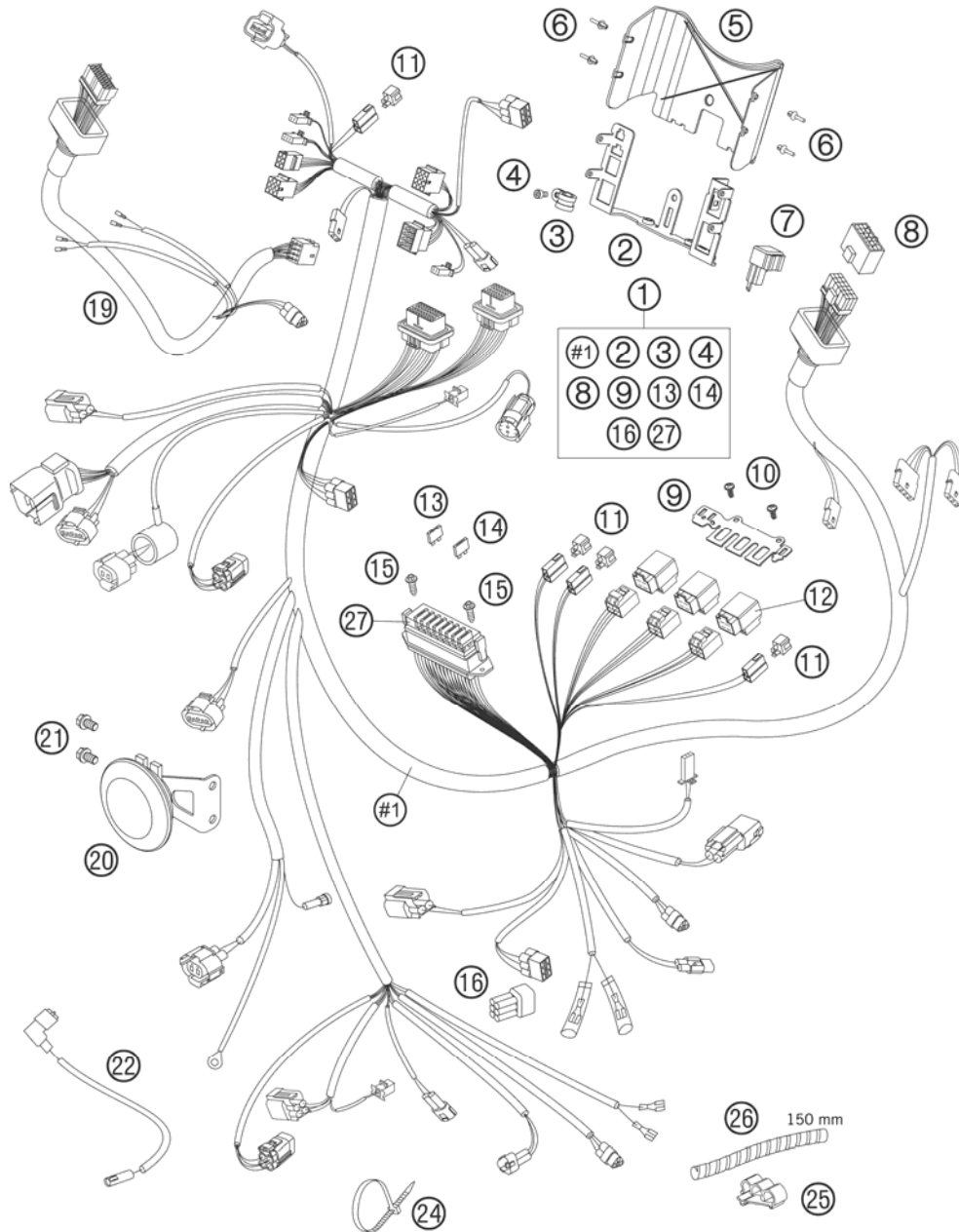


FIG	PART NUMBER	DESCRIPTION	QTY
1*	61011075100	MAIN WIRING HARNESS 06	1
2	61011083000	BRACKET FOR PLUGS CPL. 05	1
3	49007439000	CLAMP RSGU 15/12	1
4	0912050103	AH SCREW DIN0912-M 5X10	1
5	61011083020	BRACKET FOR PLUGS COVER 05	1
6	60003088000	PLASTIC CAP FOR M6 03	4
7	44611207200	FLASHER UNIT 97	1
8	61011075020	DUMMY PLUG ALARM SYSTEM 05	1
9	61011057050	BRACKET RELAY 05	1
10	0016050121	SCREW FOR PLASTIC D=5X12	2
11	58411096100	DIODE S3H-15 97	4
12	58411057000	STARTER RELAY '96	3
13	58011109110	FUSE 10 A 2000	x
14	58011109115	FUSE 15 A 2003	x
15	0017060203	EJOT PT SCREW K6X20 WS=6	2
16	000700000BH	SPARE CONNECTOR BH DIAGNOSTIC PORT	1
19	61011079000	WIRING HARNESS FRONT 05	1
20	61011060000	DC HORN CPL. 05	1
21	0015060103	HH COLLAR SCREW M 6X10 WS=8	2
22	60011092000	OIL-PRESSURE SWITCH CABLE 03	1
24	44011076100	CABLE TIE 100/2,5MM BLACK	x
24	44011076200	CABLE TIE 200/3,6MM BLACK	x
24	44011076305	CABLE TIE 300/4,8MM BLACK	x
25	61011093000	WIRING HOLDER 05	1
26	58513001000	SPIRAL HOSE D=9MM 00	x
27	58511075510	FUSE-BOX COVER	1

066101100 / C066101100

* NEW PART

X AS REQUIRED

BATTERY BOX

990 SUPERDUKE BLACK EU 2006

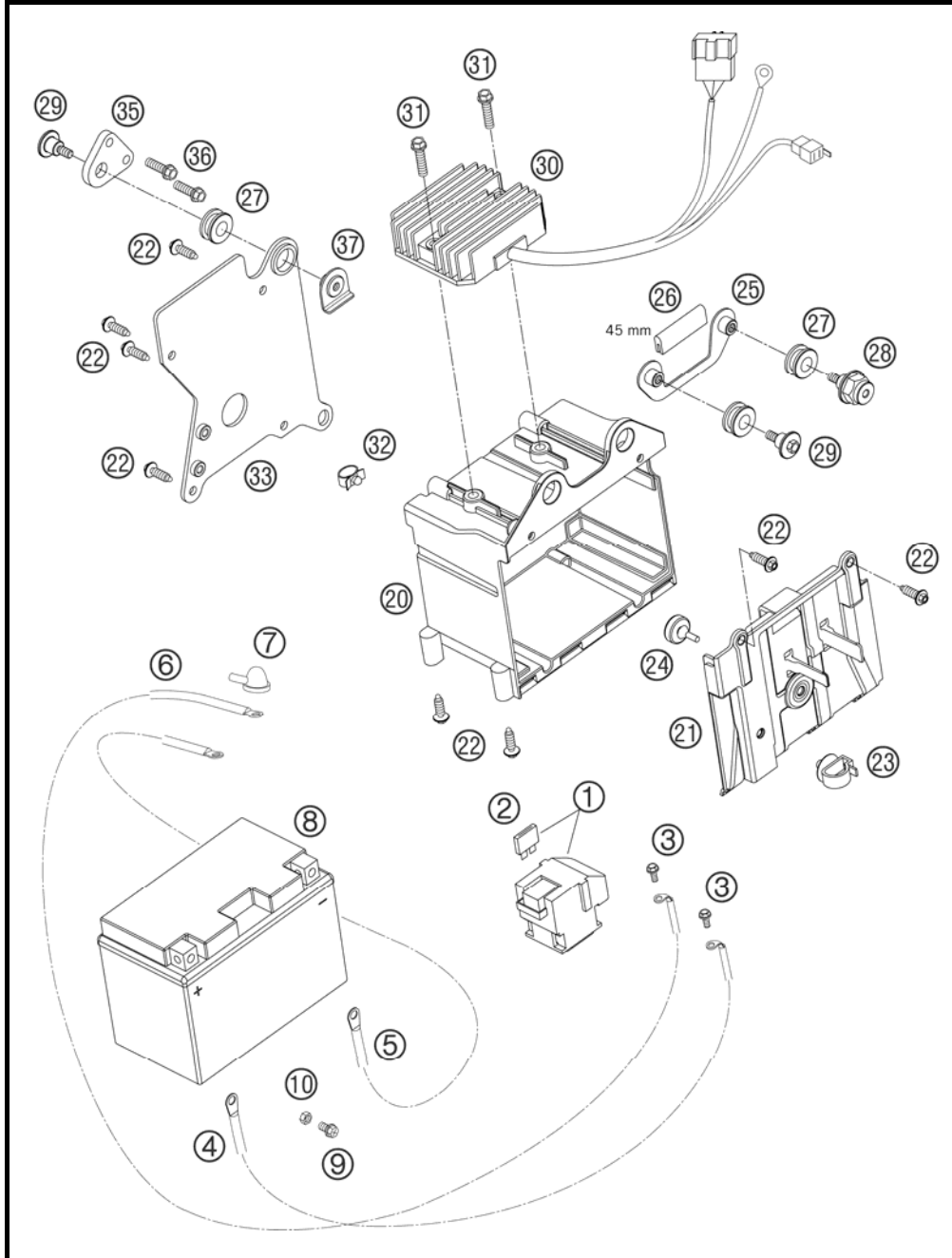


FIG	PART NUMBER	DESCRIPTION	QTY
1	60011058000	STARTER RELAY 03	1
2	58011109030	FUSE 30 A 2002	x
3	0902060083	AH OVAL SCREW ISO 7380 M 6X8	2
4	61011059050	BATTERY CABLE L=230MM 05	1
5	61011097000	GROUND CABLE L=450MM 05	1
6	61011059000	STARTERCABLE L=820 MM	1
7	60040009000	RUBBER CAP STARTER PORT 03	1
8	60011053000	BATTERY 12V/11AH 03	1
9	0014060103	HH COLLAR SCREW M 6X10 WS=8	2
10	0934060003	HEXAGON NUT DIN0934-M 6	2
20	61011054000	BATTERY BOX 05	1
21	61011054006	BATTERY BOX COVER 05	1
22	0017060203	EJOT PT SCREW K60X20 WS=6	8
23	58111076000	CABLE SUPPORT KHS NR.150-47610	1
24	60006001021	DISTANCE RUBBER AIRBOX 03	1
25	61011055033	ANTI-ROT. ELEMENT DUAL CPL. 05	1
26	58312085100	EDGE PROTECTOR PER METER	x
27	60003098000	RUBBER SLEEVE 03	3
28	61011055050	SPECIAL SCREW M6 WS19 05	1
29	60035001000	SCREW RADIATOR BRACKET M6 03	2
30	60011034000	VOLTAGE REGULATOR LC8 03	1
31	0015060303	HH COLLAR SCREW M 6X30 WS=8	2
32	57013072100	WIRING HOLDER 16MM	1
33	61011057033	BATTERY BOX SUPPORT R/S CPL.	1
35	61011056020	BATTERY SUPPORT 05	1
36	0015060203	HH COLLAR SCREW M 6X20 WS=8	2
37	61011056033	ANTI-ROTATION ELEMENT CPL. 05	1

05610111 / C066101101

* NEW PART

X AS REQUIRED

HAND BRAKE CYLINDER

990 SUPERDUKE BLACK EU 2006

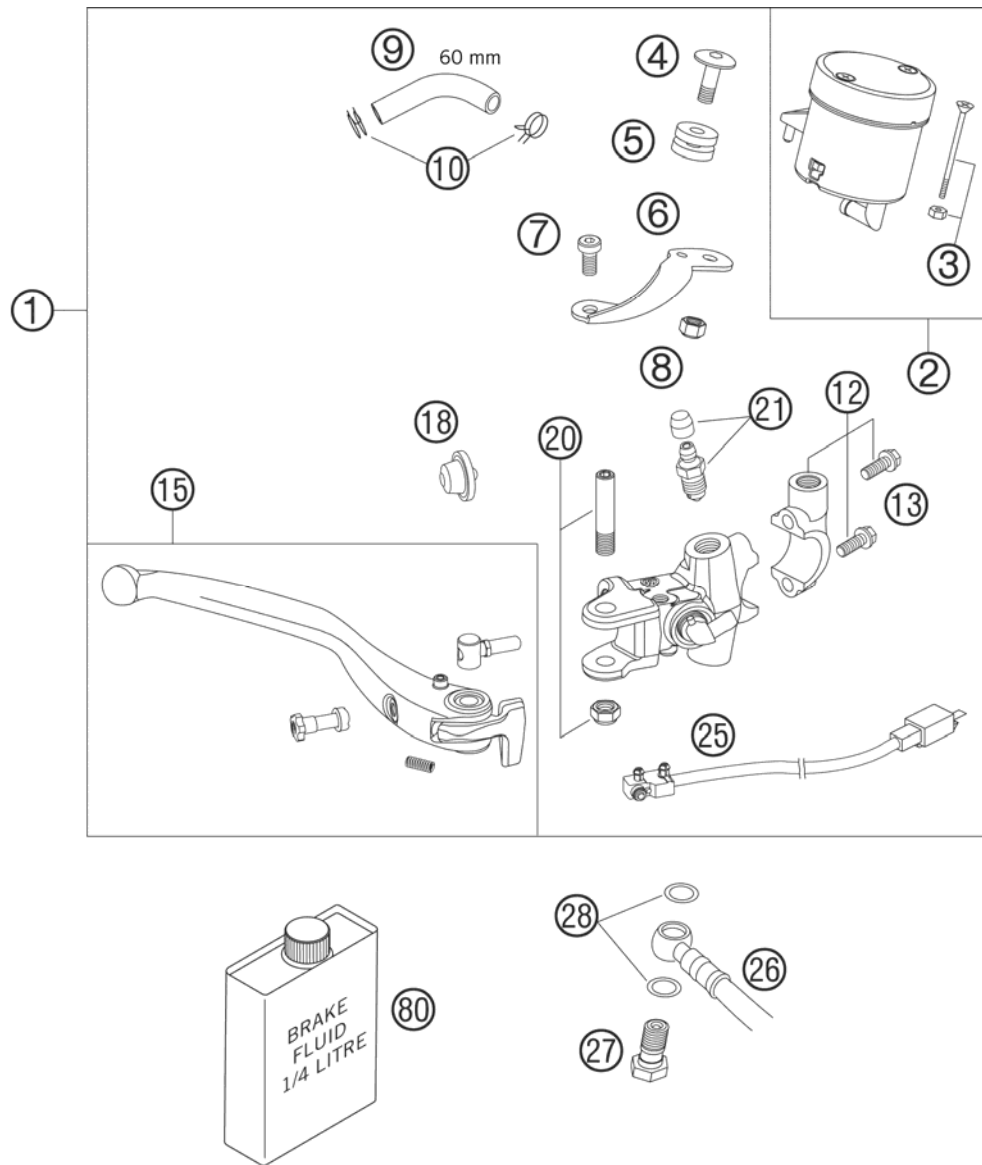


FIG	PART NUMBER	DESCRIPTION	QTY
1	61013001000	HAND BRAKE CYLINDER 05	1
2	61013009002	BRAKE FLUID RESERVOIR CPL.	1
3	61013009003	SCREW + NUT FOR RESERVOIR	2
4	61013013050	SCREW RET.PANEL-RESERVOIR	1
5	61013013000	RUBBER BUSH 05	1
6	61013009001	RET.PANEL FLUID RES. FRONT 05	1
7	61013021000	SCREW RET.PANEL-BRAKE CYLINDER	1
8	61013009004	NUT FOR RESERVOIR	1
9	58007016101	HOSE FOR RESERVOIR 6X1,5	1
10	58007017000	YDNAC CLAMP 10101 (9MM)	2
12	61013005000	CLAMP CPL. 05	1
13	0015060253	HH COLLAR SCREW M 6X25 WS=8	2
15	61013002044	HAND BRAKE LEVER 05	1
18	61013008000	RUBBER CUP 05	1
20	61013006000	LEVER SCREW CPL. 05	1
21	60013020000	BLEEDER SCREW WITH CAP	1
25	61011050000	BRAKE LIGHT SWITCH FRONT 05	1
26	61013012000	BRAKE PIPE FRONT CPL. 05	1
27	50213025000	HOLLOW SCREW M10X1X19	1
28	42013226000	CU-SEAL RING DIN7603-10X16X1	2
80	306054	BRAKE FLUID DOT 5.1	1

05610130 / C066101300

* NEW PART

X AS REQUIRED

REAR BRAKE CONTROL

990 SUPERDUKE BLACK EU 2006

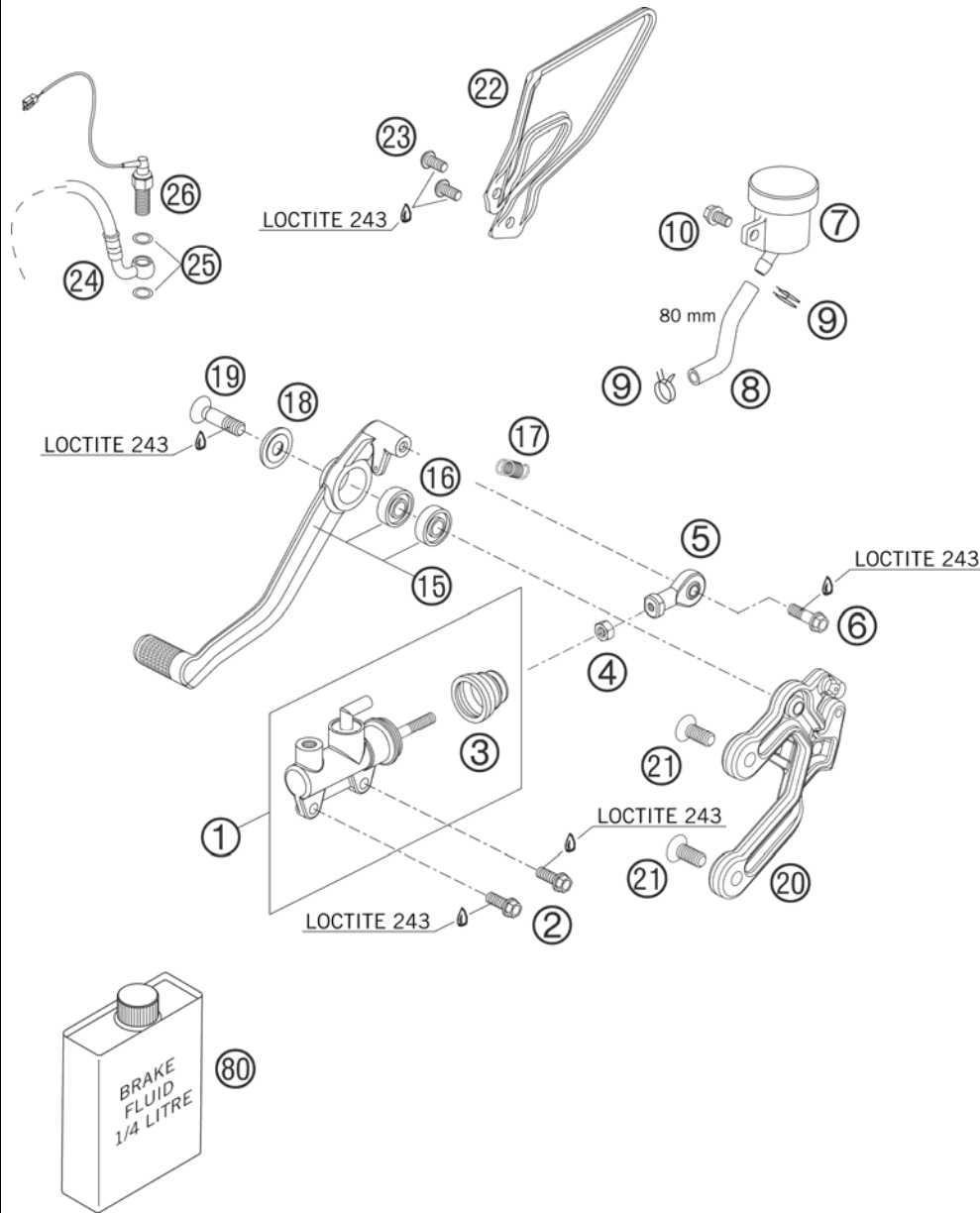


FIG	PART NUMBER	DESCRIPTION	QTY
1	6101306000	MAIN BRAKE CYLINDER 05	1
2	59009062016	SPECIAL SCREW M6X16 WS=8 10.9	2
3	61013064000	CUP FOR MAIN BRAKE CYLINDER	1
4	0934060003	HEXAGON NUT DIN0934-M 6	1
5	54603069000	SWIVEL HEAD M6 FOOT BRAKE LEV.	1
6	59009062019	SPECIAL SCREW M6X19 WS=8 10.9	1
7	61013069000	RESERVOIR REAR CPL. 05	1
8	58007016101	HOSE FOR RESERVOIR 6X1,5	1
9	58007017000	YDNAC CLAMP 10101 (9MM)	2
10	0015060103	HH COLLAR SCREW M 6X10 WS=8	1
15	61013050044	FOOT BRAKE LEVER CPL. 05	1
16	0625006087	GROOVED BALL BEAR. 608 2RS C3	2
17	61013052000	SPRING FOOT BRAKE LEVER 05	1
18*	58303061100	SPECIAL WASHER ALU 8X24 MM ELO	1
19	61013059000	FLAT HEAD SCREW M8X32 SL 05	1
20	61003039000	FOOTREST BRACKET FRONT R/S 05	1
21	54610052000	SPROCKET SCREW-AH M8X20 WS=6	2
22	61013032000	COVER PLATE R/S 05	1
23	0738060101	COU.SUNK SCR. AH ISO7380 M6X10	2
24	61013072000	BRAKE PIPE REAR 05	1
25	42013226000	CU-SEAL RING DIN7603-10X16X1	2
26	61011051000	BRAKE LIGHT SWITCH REAR 05	1
80	306054	BRAKE FLUID DOT 5.1	1

05610131 / C066101301

* NEW PART

X AS REQUIRED

BRAKE CALIPER FRONT

990 SUPERDUKE BLACK EU 2006

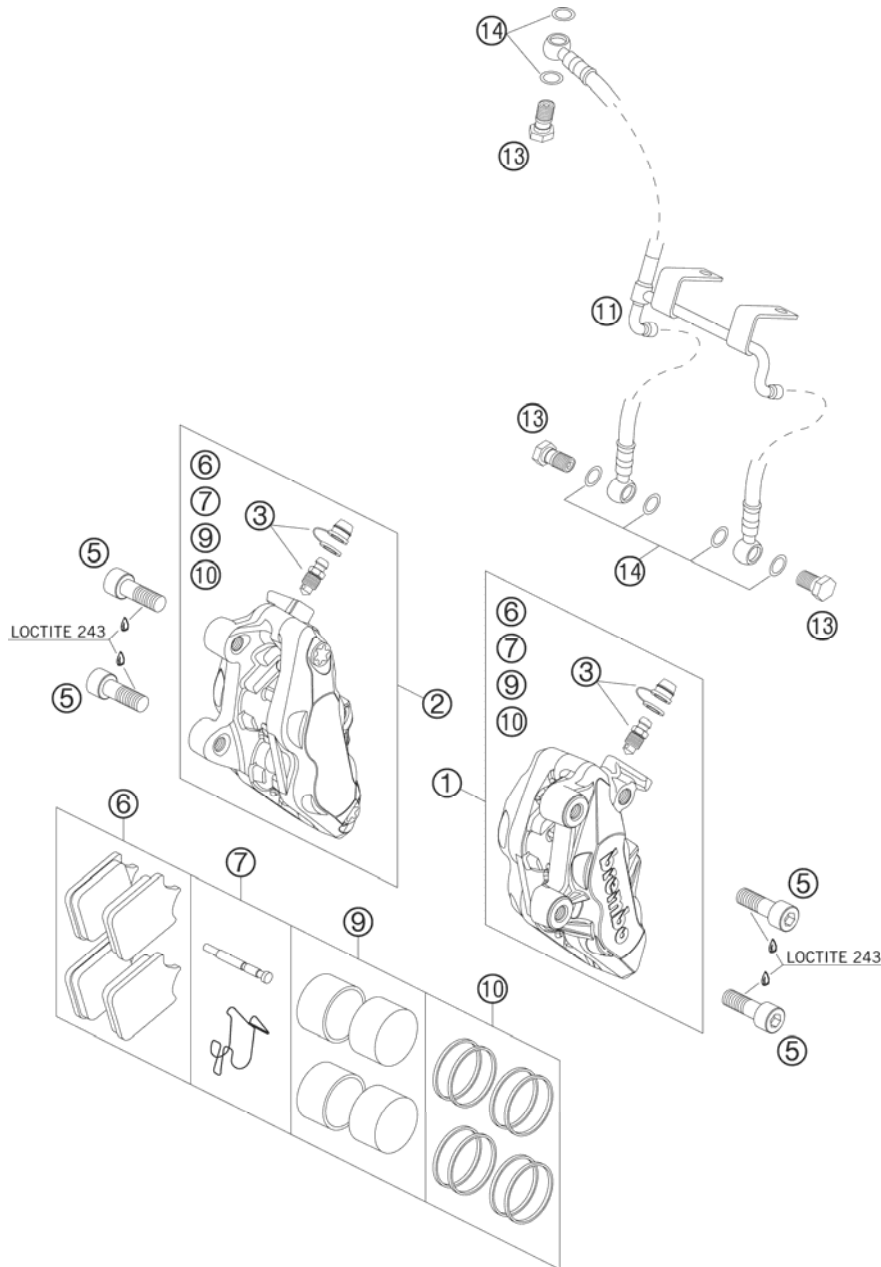


FIG	PART NUMBER	DESCRIPTION	QTY
1*	61013015100	BRAKE CALIPER FRONT L/S 06	1
2*	61013016100	BRAKE CALIPER FRONT R/S 06	1
3	61013020100	BLEEDER SCREW WITH CAP	2
5	0912100309	AH SCREW DIN912 M10X30 10.9	4
6	61013030000	BRAKE PAD FR. TOSHIBA TT2172HH	x
6*	61013030100	BRAKE PAD FR. HAWK 7342-49	2
7	61013018000	BOLT AND SPRING F. BR.CALIPER	2
9	61013019000	BRAKE PISTONS 4X	2
10	61013019100	REP.KIT SEALING RINGS 4X	2
11	61013012000	BRAKE PIPE FRONT CPL. 05	1
13	50213025000	HOLLOW SCREW M10X1X19	3
14	42013226000	CU-SEAL RING DIN7603-10X16X1	6

05610132 / C066101302

* NEW PART

X AS REQUIRED

BRAKE CALIPER REAR

990 SUPERDUKE BLACK EU 2006

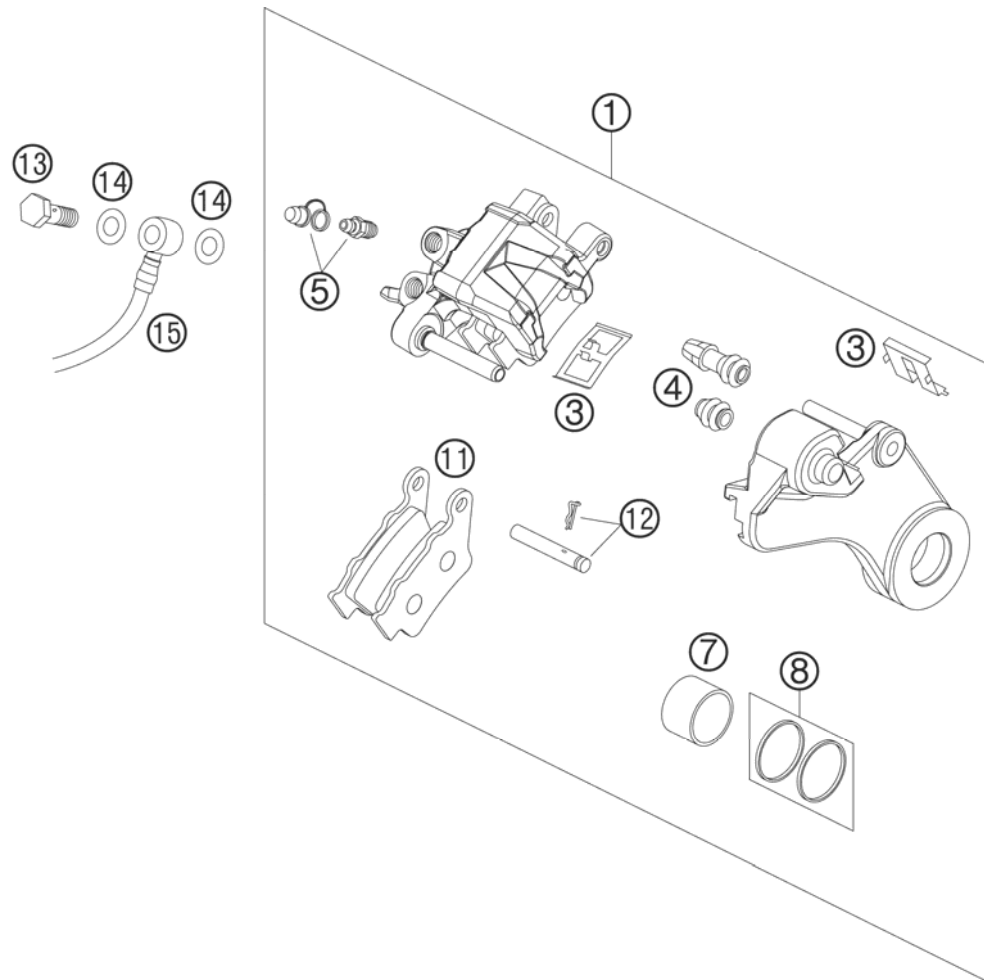


FIG	PART NUMBER	DESCRIPTION	QTY
1	6101308000	BRAKE CALIPER REAR 05	1
3	54613311200	RETAINING SPRING SET	1
4	54613218000	CUP SET SHORT	1
5	61013020200	BLEEDER SCREW WITH CAP	1
7	50313083000	BRAKE PISTON 32MM	1
8	50313081000	REPAIR KIT SEALING RINGS 32MM	1
11	50313090000	BRAKE PAD REAR TOSHIBA TTH38GF	1
12	61013082000	BOLT SET 05	1
13	50213025000	HOLLOW SCREW M10X1X19	1
14	42013226000	CU-SEAL RING DIN7603-10X16X1	2
15	61013072000	BRAKE PIPE REAR 05	1

05610133 / C066101303

* NEW PART

X AS REQUIRED

LIGHTING SYSTEM

990 SUPERDUKE BLACK EU 2006

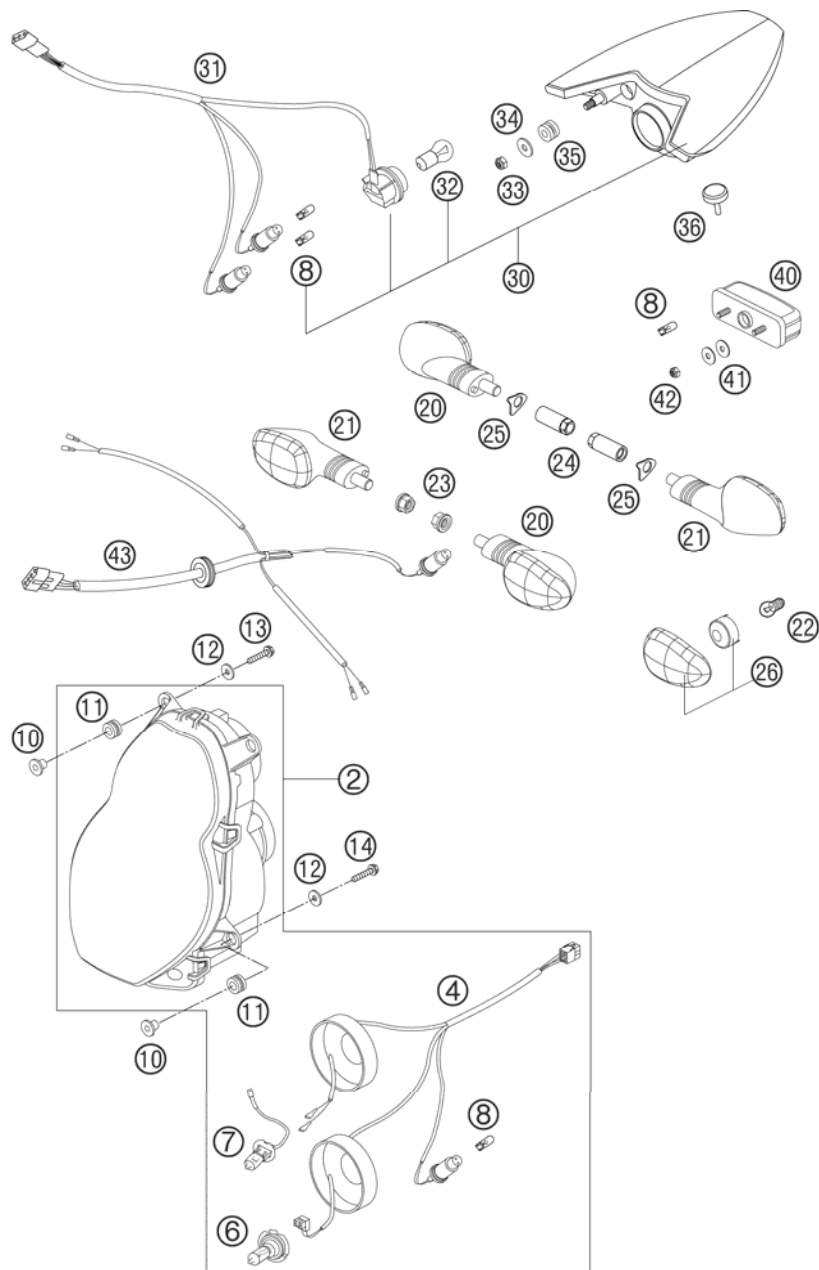


FIG	PART NUMBER	DESCRIPTION	QTY
2	60014001000	HEAD LIGHT RIGHT TR. EU 03	1
4	60014001050	HEAD LIGHT WIRING HAR. EU/GB	1
6	60014003100	BULB H7 12V 55W	1
7	60014003000	BULB H3 12V 55W	1
8	49011435100	BULB 12V 5W (W2,1X9,5D) PHIL.	4
10	60014007000	SPACER BUSHING HEAD LIGHT 03	4
11	31008008000	RUBBER GROMMIT BLACK	4
12	0021050003	WASHER DIN9021-A 5,3	4
13	0016050253	SCREW FOR PLASTIC 03	2
14	0015050203	HH COLLAR SCREW M 5X20 WS=8	2
20	58414025100	FLASHER CPL.FRONT L/S REAR R/S	2
21	58414026100	FLASHER CPL.FRONT R/S REAR L/S	2
22	44111015100	BULB 12V 10W (BA15S)	4
23	58414030000	HH COLLAR NUT M10X1,25 WS=13	2
24	61014030000	FLASHER NUT M10X1,25 WS=12	2
25	61014031000	FLASHER WASHER 05	2
26	58414028100	FLASHER LENS L/S & R/S 02	4
30	61014040000	REAR LIGHT DUKE 05	1
31	58611076100	CABLE HARNESS REAR PART 05	1
32	60014048000	BULB 12V 21W	1
33	0985060003	SELF LOCK. NUT DIN0985-M 6	2
34	0021060003	WASHER DIN9021-A 6,4	2
35	58214069051	RUBBER GROMMET 16X10,8X3 02	2
36	60006001021	DISTANCE RUBBER AIRBOX 03	1
40	58414047000	LICENSE-PLATE ILLUMINATION '98	1
41	0021050003	WASHER DIN9021-A 5,3	4
42	0985050003	SELF LOCKING NUT DIN0985-M 5	2
43	62511076000	WIRING HARNESS REAR 05	1

05610140 / C066101400

* NEW PART

X AS REQUIRED

INSTRUMENTS, LOCK SYSTEM

990 SUPERDUKE BLACK EU 2006

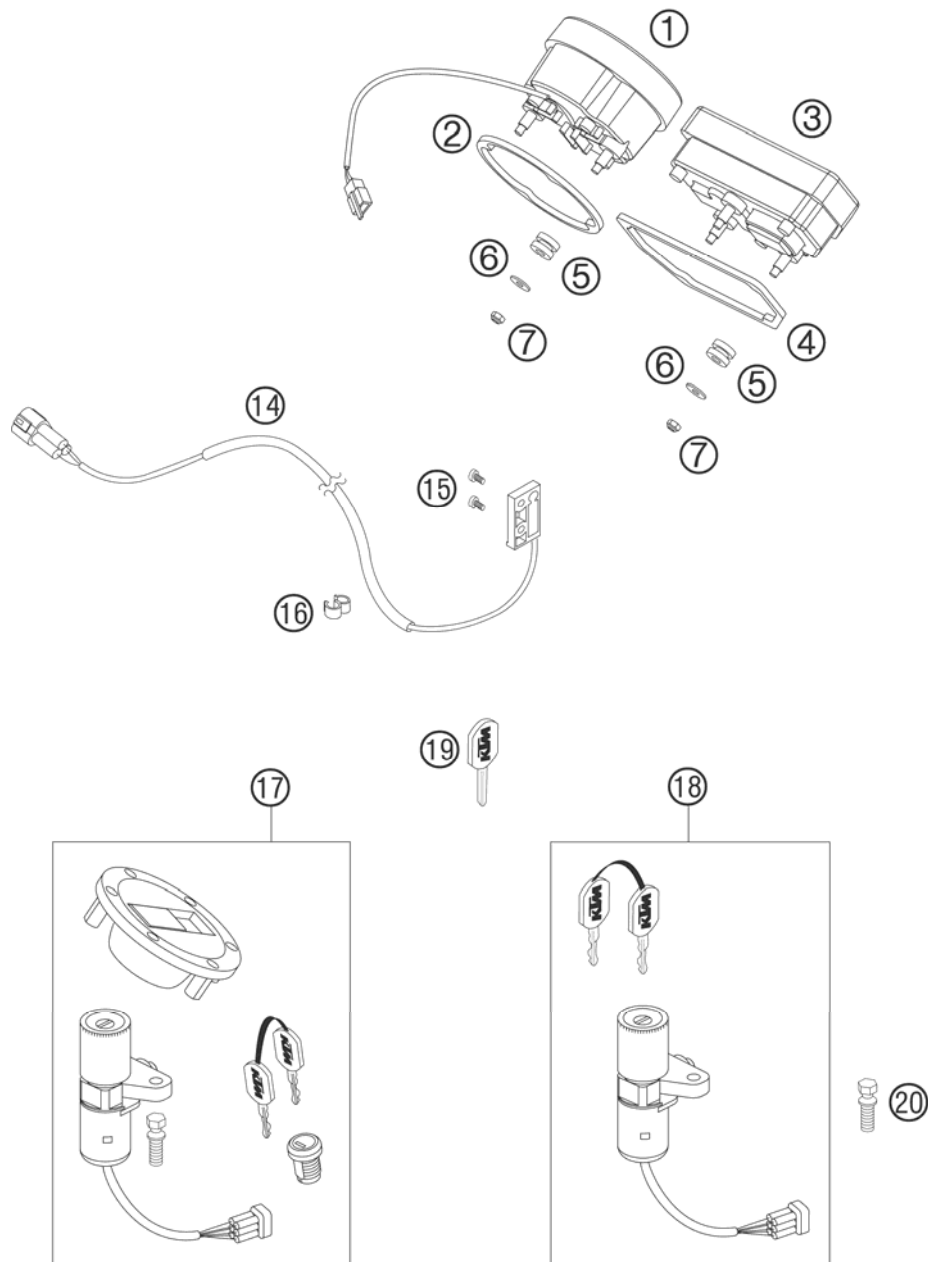


FIG	PART NUMBER	DESCRIPTION	QTY
1	60014075000	REV COUNTER LC8 03	1
2	60014068100	DAMPING RING SPEEDOMETER 03	1
3	61014069000	DIGITAL SPEEDOMETER 05	1
4	60014068000	DAMPING RING TACHOMETER 03	1
5	58214069051	RUBBER GROMMET 16X10,8X3 02	5
6	0021050003	WASHER DIN9021-A 5,3	5
7	0985050003	SELF LOCKING NUT DIN0985-M 5	5
14*	61014068000	SPEEDOMETER SENSOR 06	1
15	0084040083	CYL.HEAD SCREW DIN0084-M 4X8 A	2
16*	60111094000	CLAMP 5/7 MM 06	3
17	61011066044	LOCK SYSTEM 990 DUKE 05	1
18	60011066000	IGNITION LOCK LC8 ADV. 03	1
19	40011166100	KEY BLANK LC4/DUKE/LC8	x
20	60011064000	TAMPERPROOF SCREW F. IGN. LOCK	2

066101403 / C066101403

* NEW PART

X AS REQUIRED

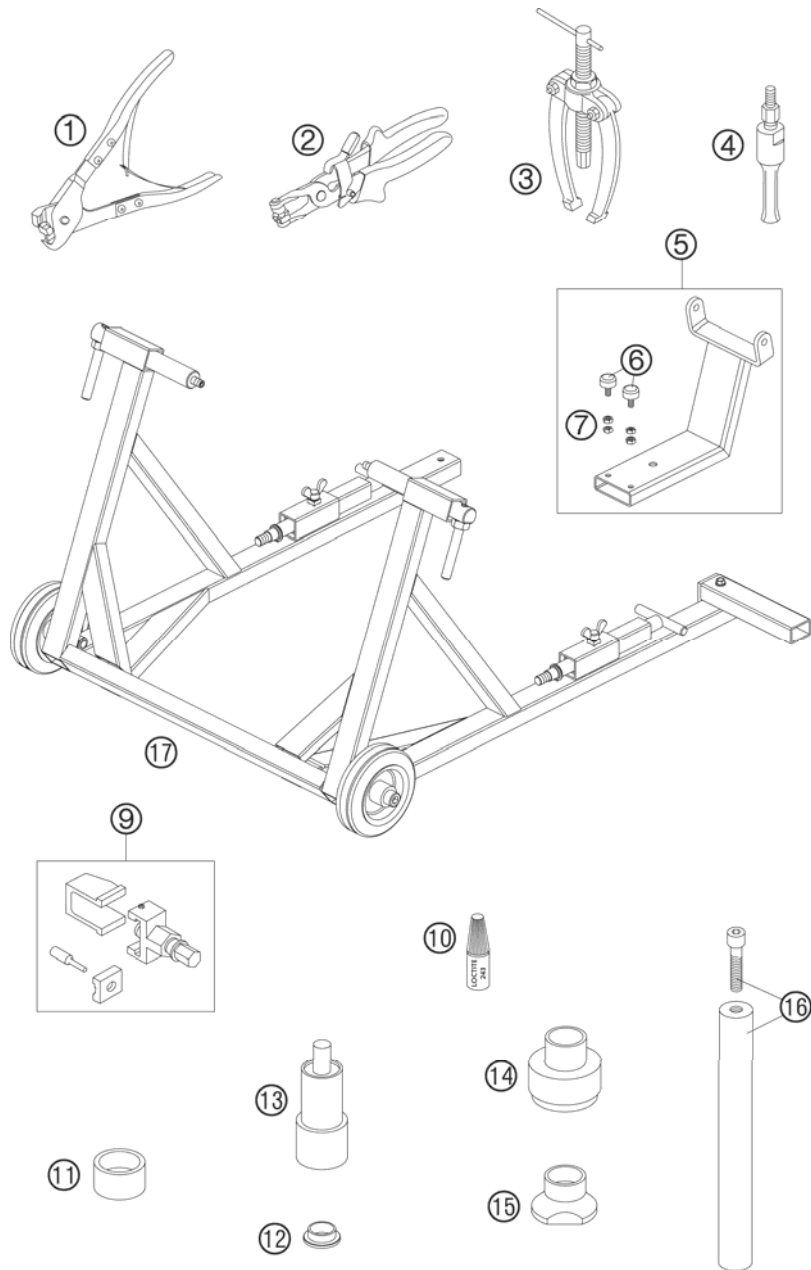


FIG	PART NUMBER	DESCRIPTION	QTY
1	60029057000	PLIERS F. VAR.ONE-EAR CLAMP 03	1
2	60029057100	PLIERS F. CLAMP 03	1
3	15112017000	BUSHING EXTRACTOR	1
4	60029018000	INTERN.BEAR.PULLER 28 MM	1
5	60029055100	ATTACHMENT WHEELED JACK 03	1
6	58303070000	STOP RUBBER M8	2
7	09340800003	HEXAGON NUT DIN0934-M 8	4
9	60029020000	RIVET TOOL 03	1
10	6899785	LOCTITE 243 BLUE 6CCM	1
11	60029056000	ANVIL DOLLY 03	1
12	60010013000	SPACER BUSH. REAR WHEEL R/S 03 FOR SWINGARM BEARING	1
13	58429086000	PRESS. TOOL F. LINK BEAR. LC4	1
14	58429091000	MOUNT.TOOL STEER.HEAD BEAR.LC4	1
15	58429092000	DISMOUNT. TOOL F. BEARINGS LC4	1
16	58429089000	HOLDING TOOL CHASSIS LC4	1
17	62529055000	VEHICLE STAND 05	1

056251900 / C066101900

* NEW PART

X AS REQUIRED

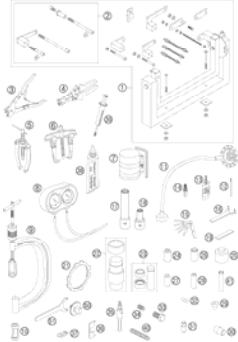
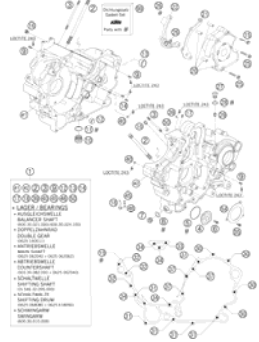
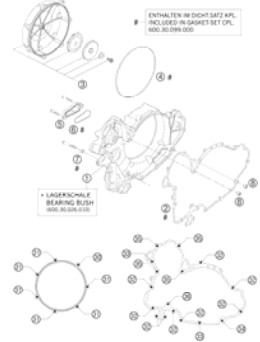
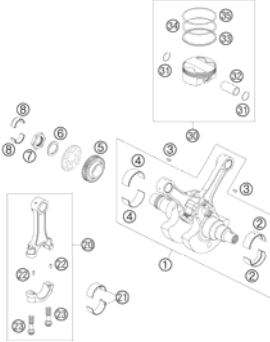

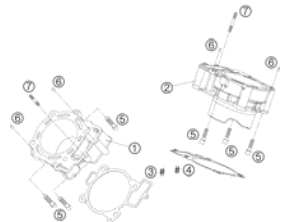
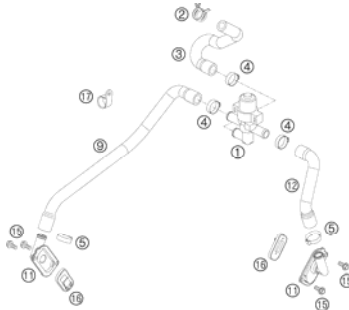
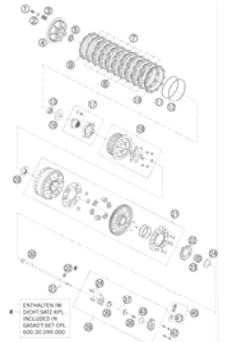

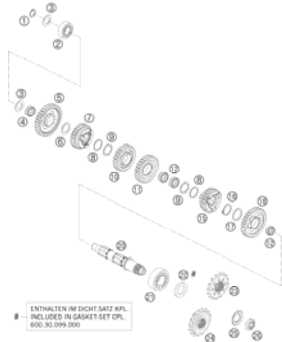

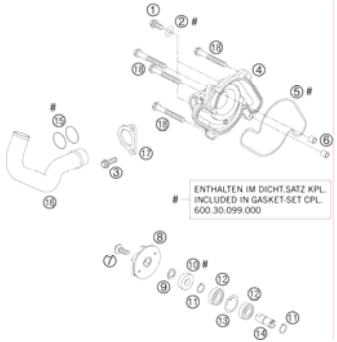
990 SUPERDUKE 2006

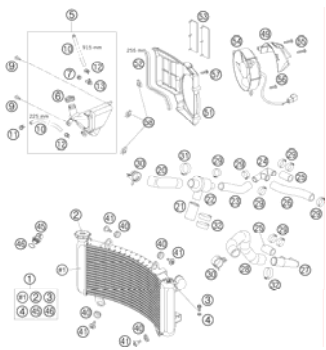
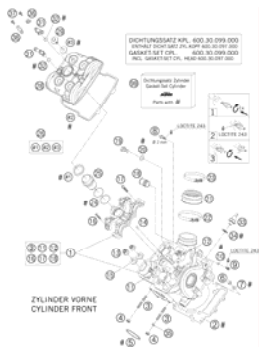
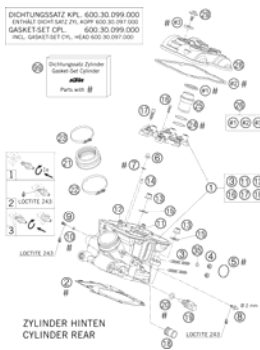
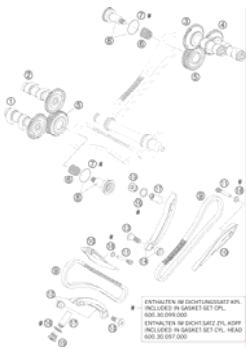
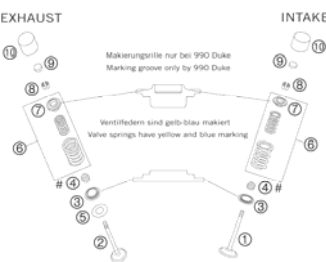

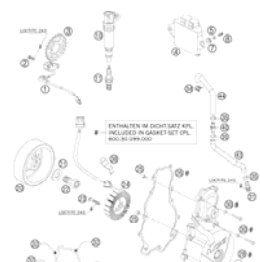
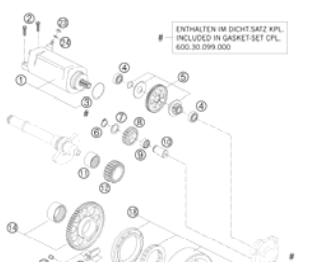
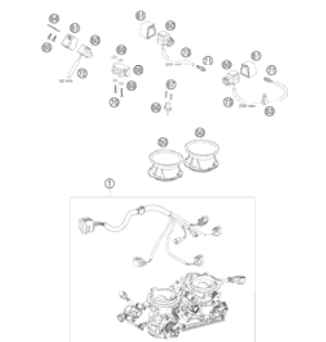
SPARE PARTS MANUAL: ENGINE

ART.NO.: 3CM089811EN

ENGLISH



SPECIAL TOOLS  3	ENGINE CASE  5	CLUTCH COVER  7	CRANKSHAFT, PISTON  8
BALANCER SHAFT  # ENTHALTEN IM DICHT-SATZ KPL. INCLUDED IN GASKET-SET CPL. 600.30.099.000 9	CYLINDER  # ENTHALTEN IM DICHTUNGSSETZ KPL. INCLUDED IN GASKET-SET CPL. 600.30.099.000 ENTHALTEN IM DICHT-SATZ ZYL. KOPF INCLUDED IN GASKET-SET CYL. HEAD 600.30.097.000 10	SECONDARY AIR SYSTEM  11	CLUTCH  # ENTHALTEN IM DICHT-SATZ KPL. INCLUDED IN GASKET-SET CPL. 600.30.099.000 12
TRANSMISSION I - MAIN SHAFT  13	TRANSMISSION II - COUNTERSHAFT  # ENTHALTEN IM DICHT-SATZ KPL. INCLUDED IN GASKET-SET CPL. 600.30.099.000 14	SHIFTING MECHANISM  # ENTHALTEN IM DICHT-SATZ KPL. INCLUDED IN GASKET-SET CPL. 600.30.099.000 15	WATER PUMP  # ENTHALTEN IM DICHT-SATZ KPL. INCLUDED IN GASKET-SET CPL. 600.30.099.000 17

<p>COOLING SYSTEM</p>  <p>18</p>	<p>CYLINDER HEAD FRONT</p>  <p>20</p>	<p>CYLINDER HEAD REAR</p>  <p>21</p>	<p>TIMING VALVE</p>  <p>22</p>
<p>VALVE DRIVE</p>  <p>23</p>	<p>LUBRICATING SYSTEM</p>  <p>24</p>	<p>IGNITION SYSTEM</p>  <p>26</p>	<p>ELECTRIC STARTER</p>  <p>27</p>
<p>THROTTLE BODY</p>  <p>28</p>	<div style="display: flex; align-items: center;"> <div style="font-size: 4em; margin-right: 20px;">!</div> <div> <p>All information contained is without obligation. KTM-Sportmotorcycle AG particularly reserves the right to modify any equipment, technical specifications, prices, colors, shapes, materials, services, service work, constructions, equipment and the like so as to adapt them to local conditions or to cancel any of the above items, all without previous announcement and without giving reasons. KTM may stop manufacturing certain models without previous notice. KTM shall not be held liable for any deviations of availability and/or ability to deliver, illustrations, descriptions, printing and/or other errors. The illustrated models partly contain extra equipment, which is not applied to standard models. © 2004 by KTM-SPORTMOTORCYCLE AG, Mattighofen AUSTRIA; All rights reserved; Reprint, also in extracts, with written allowance of KTM-SPORTMOTORCYCLE AG, Mattighofen only.</p> </div> </div>		

SPECIAL TOOLS

990 SUPERDUKE 2006

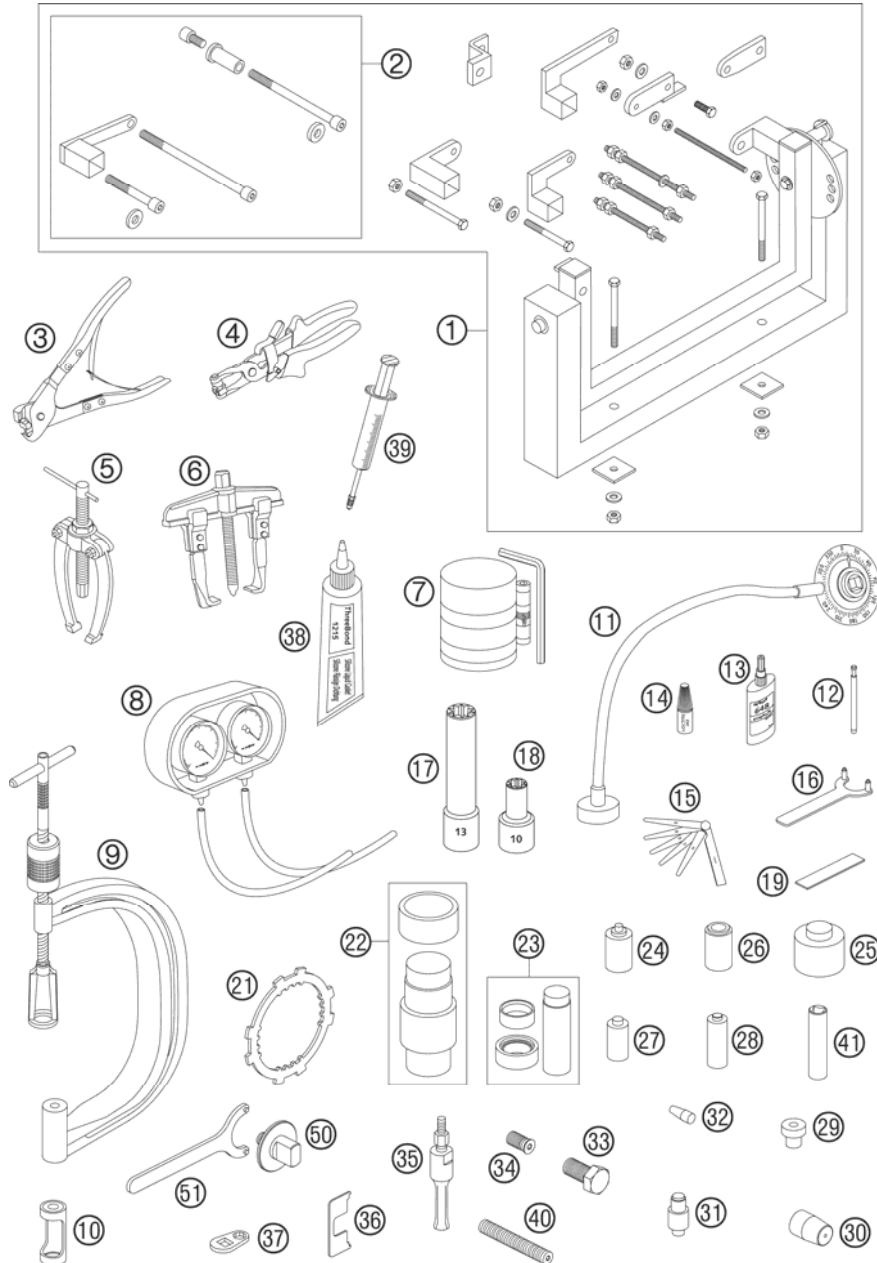


FIG	PART NUMBER	DESCRIPTION	QTY
1	56012001044	UNIVERSAL MOUNTING RACK CPL.	1
2	60029002000	ENGINE BRACKET FOR LC8 03	1
3	60029057000	PLIERS F. VAR.ONE-EAR CLAMP 03	1
4	60029057100	PLIERS F. CLAMP 03	1
5	15112017000	BUSHING EXTRACTOR	1
6	60029033000	EXTRACTOR PRIM. GEAR	1
7	60029015000	PISTON RING COMPRESSOR CPL. 03	1
8	60029011000	SYNCHRONIZER CPL. 2-CYLINDER	1
9	59029019000	VALVE SPRING LEVER	1
10	60029041000	INSERT FOR VALVE SPRING LEVER	1
11	60029010000	DEGREE DISK 360DEG - 1/2 INCH	1
12	59029026006	LIMIT PLUG GAUGE F.VALVE GUIDE	1
13	58429059000	LOCTITE 648 GREEN 24ML	x
14	6899785	LOCTITE 243 BLUE 6CCM	x
15	59029041000	FEEL. GAUGE SET 10,12,15,20,25	1
16	60029082000	HOLDER FOR WATER PUMP WHEEL	1
17	60029083000	SPECIAL SOCKET F. CYLINDER NUT	1
18	60029075000	SPECIAL SOCKET F.CYL.-HEAD NUT	1
19	60029012000	PLASTIGAUGE - MEASURING STRIP	1
21	60029003000	BRACKET FOR CLUTCH	1
22	60029044050	PRESS TOOL FOR MAIN BEARING	1
23	60029046028	PRESS TOOL F. SUPPORT BEARING	1
24	60029043010	SEAL.RING PRESS PUNCH PUSH ROD	1
25	60029043020	SEAL.RING PRESS PUNCH COUNT.SH	1
26	60029043040	SEAL.RING PRESS PUNCH WAT.PUMP	1
27	60029043050	SEAL.RING PRESS PUNCH BA.SHAFT	1
28	60029043060	PRESS PUNCH WAPU-BEARING	1
29	60029031000	PRESSURE PUNCH F. CRANKSHAFT	1
30	60029005000	MOUNT.SLEEVE F. SH. SEAL RING	1
31	60029043030	PRESS PUNCH SEAL.RING/BEARING	1
32	58529005000	MOUNT.SLEEVE F. SH.S.RING WAPU	1
33	60029009000	FLYWHEEL EXTRACTOR	1
34	60029009110	PUSH SCREW F. FLYWH. EXTRACTOR M16X1,5	1
35	60029018000	INTERN.BEAR.PULLER 28 MM	1
37	60029081000	WRENCH FOR CYLINDER-HEAD SCREW	1

05600290 / C066102900

* NEW PART

X AS REQUIRED

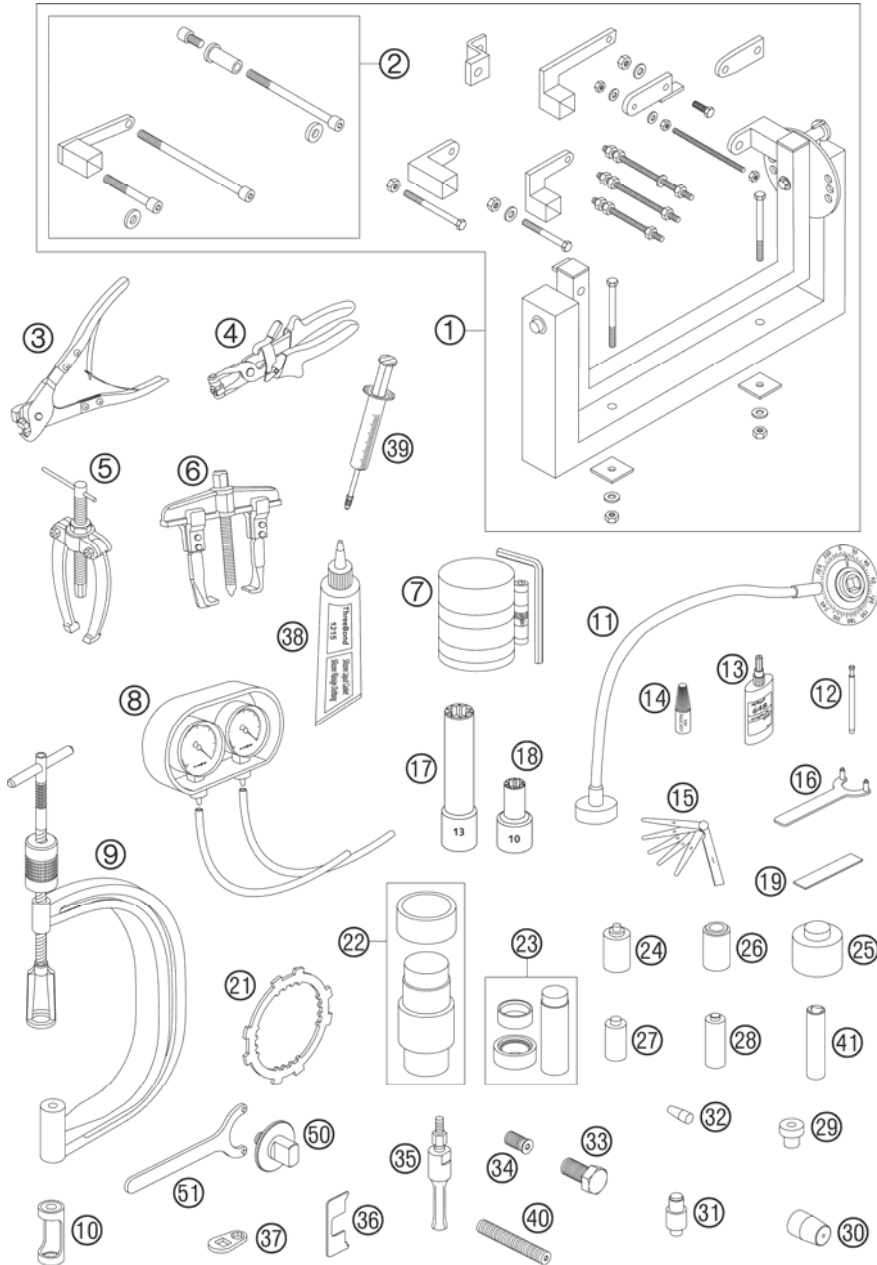


FIG	PART NUMBER	DESCRIPTION	QTY
38	309098	SILICON GASKET THREE-BOND	1
39	50329050000	VENT INJEKTION HYDR. CLUTCH	1
40	0113080802	ENGINE BLOCKING SCREW	1
41	60029073000	SPARK PLUG WRENCH 16MM 1/2INCH	1
50	60029050000	BOTTOM PART PRETENSIONING TOOL	1
51	60029051000	HOOK WRENCH PRETENS.TOOL CPL.	1

05600290 / C066102900

* NEW PART

X AS REQUIRED

ENGINE CASE

990 SUPERDUKE 2006

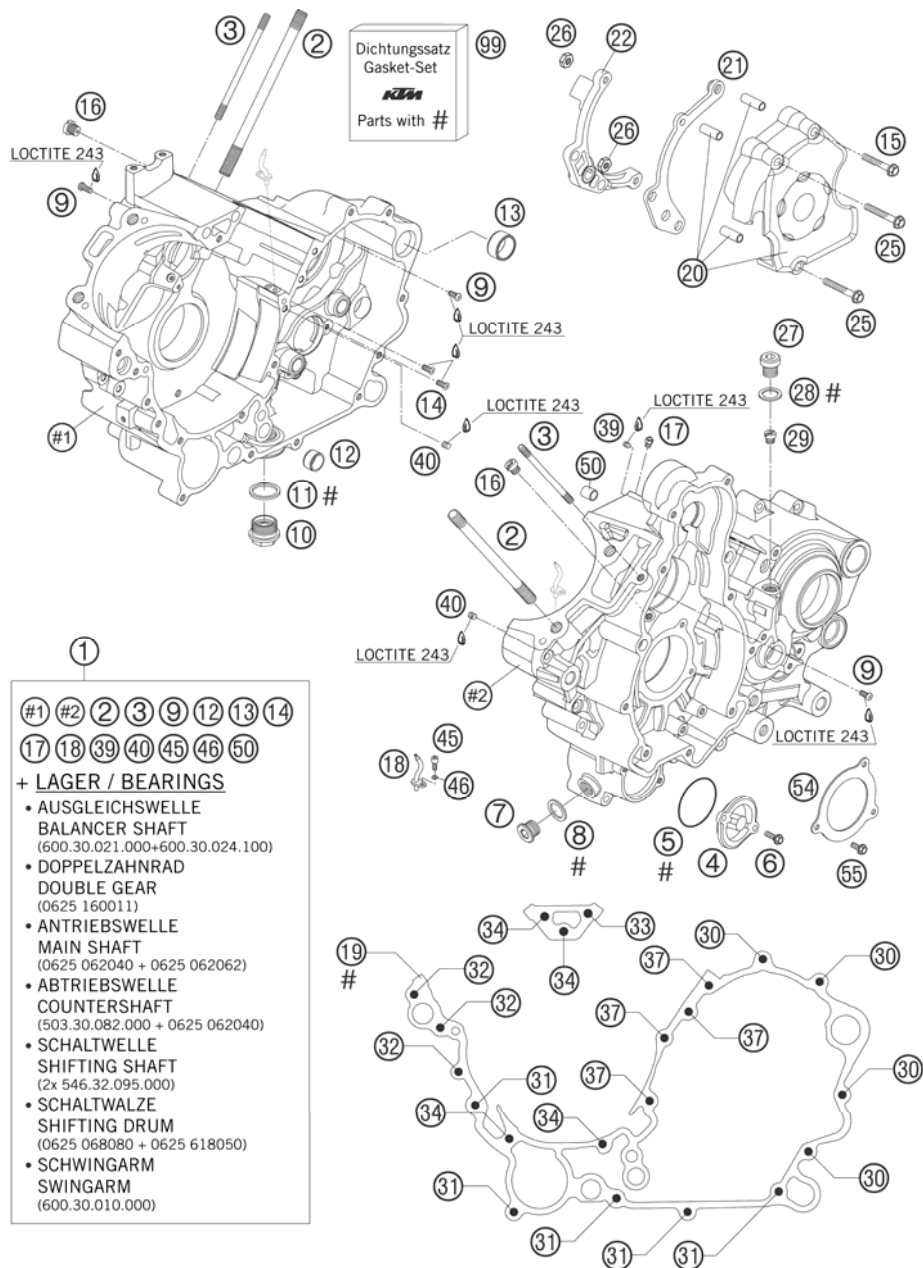


FIG	PART NUMBER	DESCRIPTION	QTY
1	6003000144	ENGINE CASE CPL. W.BEARINGS 05	1
2	60030043000	STUD M 10X161 10.9 03	8
3	60030043010	STUD M 6X101 10.9 03	2
4	59038041000	OIL FILTER COVER RACING	1
5	0770400025	O-RING 40,00X2,50 NBR 70	1
6	0015050163	HH COLLAR SCREW M 5X16 WS=8	2
7	60038033050	PLUG SCREW M14X1,5 ALU AH	1
8	0603142016	CU-SEAL RING 14X20X1,5 LC8 02	1
9	0018050103	INT. TORX OVAL HEAD M 5X10 8.8	3
10	58038019050	DRAIN PLUG W. MAGNET	1
11	58038017100	CU-SEAL RING DIN7603-22X27X2	1
12	58330023000	DOWEL 17 X 14 X 9,5	1
13	60030023000	DOWEL 20,1X24X12 03	1
14	0019050103	INT. TORX FLAT HEAD M 5X10 8.8	2
15	0015060303	HH COLLAR SCREW M 6X30 WS=8	1
16	59030054000	JET 60 DELLORTO M6X0,75	2
17	60030063070	OIL JET 70 M5	2
18	60030064000	OIL INJECT.TUBE CURVED "70" 05	2
19	60030039100	ENGINE CASE GASKET 0,5MM 05	1
20	60030060044	CHAIN SPROCKET COVER CPL. 03	1
21	61030047000	CHAIN SECURING GUIDE KPL. 05	1
22	60032063000	ADAPTER F. HYDR. CLUTCH 03	1
25	0015060353	HH COLLAR SCREW M 6X35 WS=8	2
26	0985060003	SELF LOCK. NUT DIN0985-M 6	2
27	49030029000	OIL DRAIN PLUG M10X1,5 AH-WS=6	1
28	0603100141	COPPER GASKET DIN7603-10X14X1	1
29	60038029000	REDUCING JET "30" M6X0,75	1
30	0015060403	HH COLLAR SCREW M 6X40 WS=8	4
31	0015060603	HH COLLAR SCREW M 6X60 WS=8	5
32	0015060653	HH COLLAR SCREW M 6X65 WS=8	3
33	0015060703	HH COLLAR SCREW M 6X70 WS=8	1
34	0015060753	HH COLLAR SCREW M 6X75 WS=8	4
37	0015060903	HH COLLAR SCREW M 6X90 WS=8	4
39	0916050042	THREAD PIN DIN916 M5X4-45H	2
40	0551060050	THREAD PIN DIN0551-M 6X 5	2
45	0912040103	AH.SCREW DIN0912-M 4X10	2

056253000 / C056253000

* NEW PART

X AS REQUIRED



ENGINE CASE

990 SUPERDUKE 2006

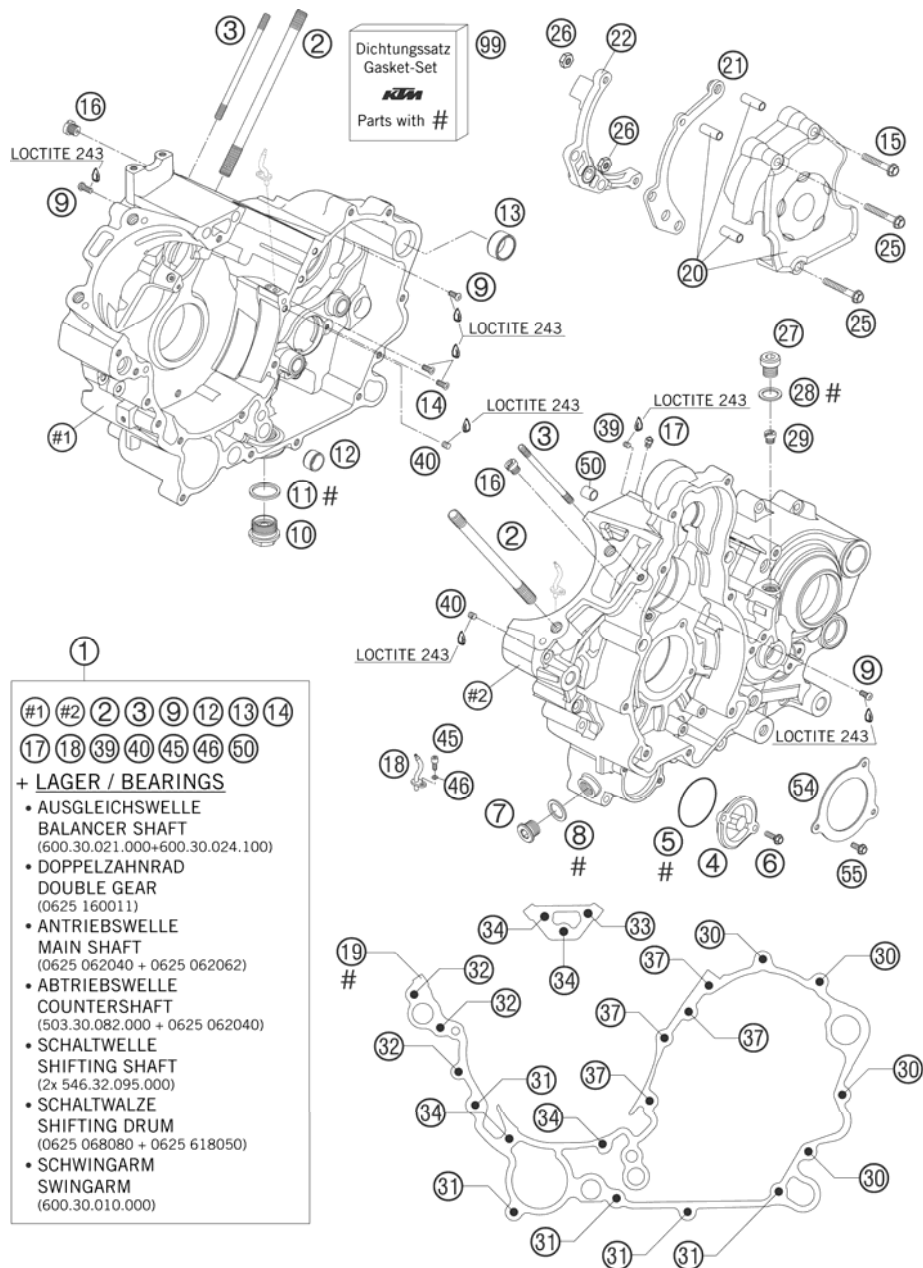


FIG	PART NUMBER	DESCRIPTION	QTY
46	0770035020	O-RING 3,5X2,00 NBR	2
50	49030090000	DOWEL 9,8 X 7 X 10	2
54	60030084000	BRACKET FOR BEARING INSERT 05	2
55	0015050123	HH COLLAR SCREW M 5X12 WS=8	6
99	60030099000	GASKET SET CPL. 03	1

056253000 / C056253000

* NEW PART

X AS REQUIRED

CLUTCH COVER

990 SUPERDUKE 2006

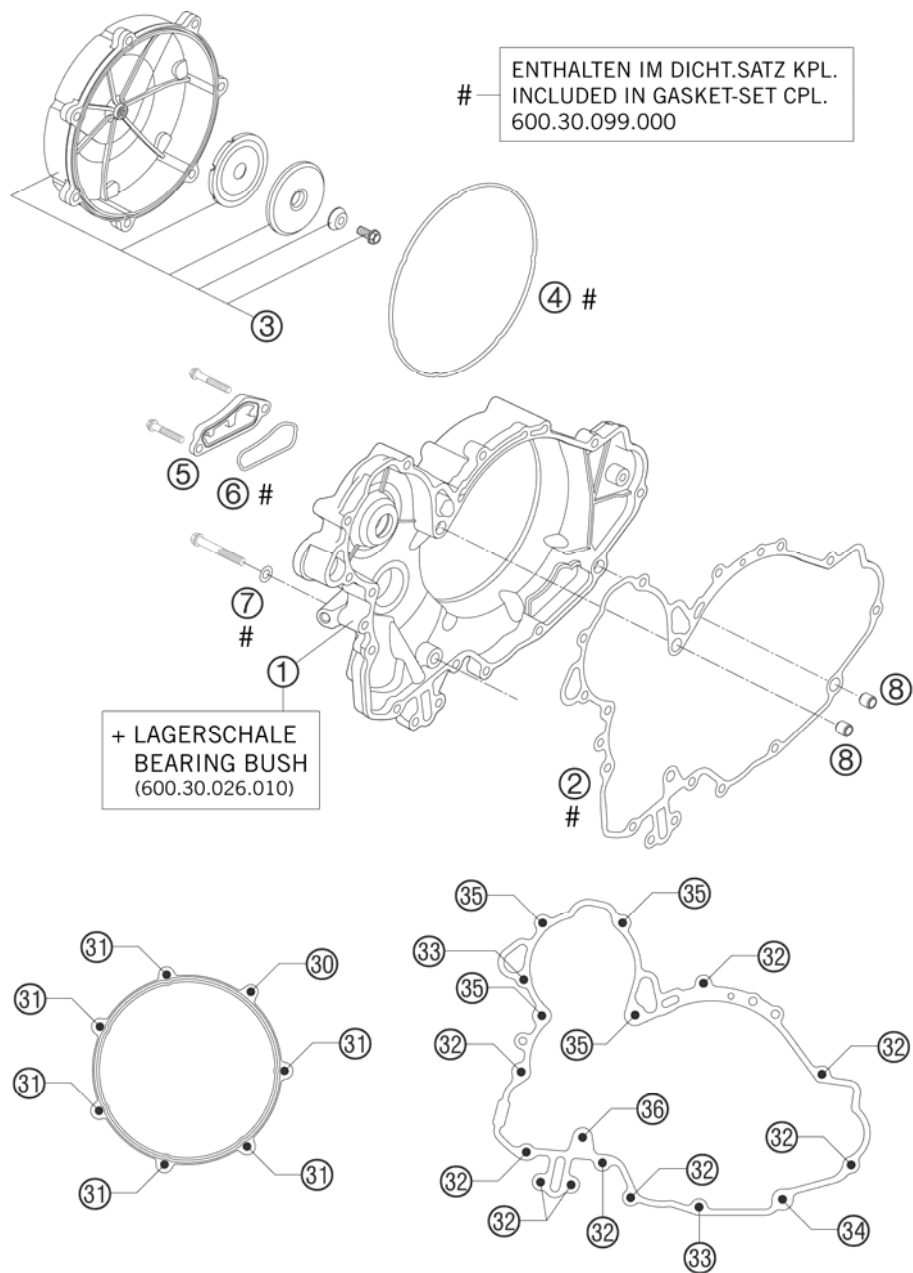


FIG	PART NUMBER	DESCRIPTION	QTY
1	60030001044	CLUTCH COVER LC8 CPL. 03	1
2	60030025000	CLUT.COV. GASK. INSIDE KLI.SIL	1
3	60030126044	OUTER CLUTCH COVER CPL. 05	1
4	60030027000	GASKET RING CLUTCH 2X3,1 VAMAC	1
5	60030012100	CLOS. COVER OIL SCR. MILLED 03	1
6	60030012050	MOLDED RING 1,8X2,5 VAMAC 03	1
7	0603082131	COPPER GASK.DIN7603- 8,2X13X1	1
8	49030090000	DOWEL 9,8 X 7 X 10	2
30	0015060853	HH COLLAR SCREW M 6X85 WS=8	1
31	0015060253	HH COLLAR SCREW M 6X25 WS=8	6
32	0015060303	HH COLLAR SCREW M 6X30 WS=8	9
33	0015060353	HH COLLAR SCREW M 6X35 WS=8	2
34	0015060403	HH COLLAR SCREW M 6X40 WS=8	1
35	0015060603	HH COLLAR SCREW M 6X60 WS=8	4
36	0015080603	HH COLLAR SCREW M 8X60 WS=10	1

05600304 / C056253001

* NEW PART

X AS REQUIRED

CRANKSHAFT, PISTON

990 SUPERDUKE 2006

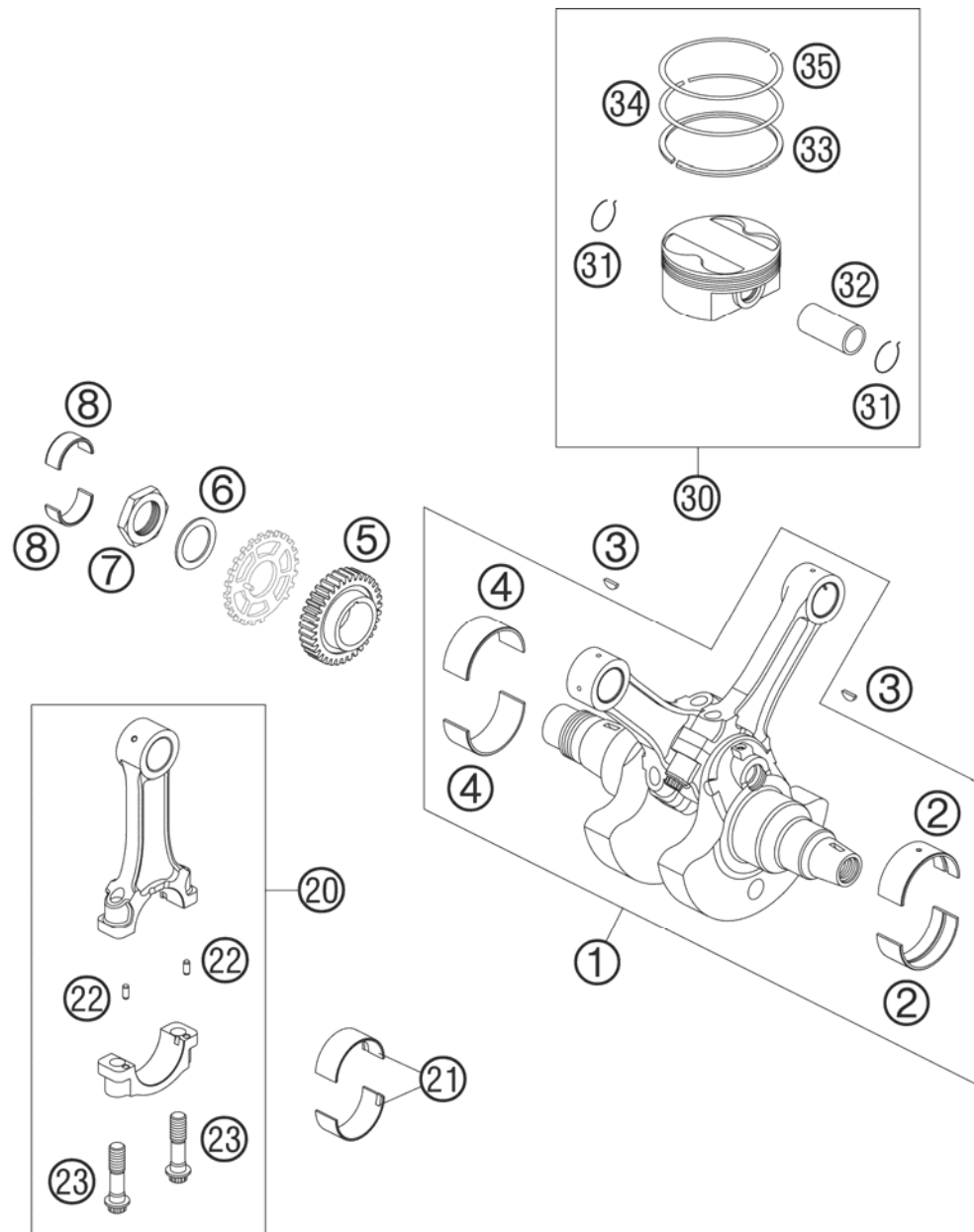


FIG	PART NUMBER	DESCRIPTION	QTY
1	61030018000	CRANKSHAFT KPL. LC8 DUKE 05	1
2	60030082000 1	SPLIT BEAR.BUSH SIZE 1 RED 03	x
2	60030082000 2	SPLIT BEAR.BUSH SIZE 2 BLUE 03	x
2	60030082000 3	SPLIT BEAR.BUSH SIZE 3 YELL.03	x
3	0888040050	WOODRUFF KEY DIN6888 4X5X13	2
4	60030182000 1	SPLIT BEAR.BUSH SIZE 1 RED 03	x
4	60030182000 2	SPLIT BEAR.BUSH SIZE 2 BLUE 03	x
4	60030182000 3	SPLIT BEAR.BUSH SIZE 3 YELL.03	x
5	60032023035	PRIMARY PINION 35 T 03	1
6	60032009040	WASHER 33,2X46X2 03	1
7	60032009050	HH-NUT M33X1,5 L/S WS46 03	1
8	60030026010	BUSHING BOWL 28X32X13 03	2
20	60030013144	CONNECTING ROD CPL. 04	2
21	60030013051	BUSH.BOWL PACK. SIZE 1 RED 03	x
21	60030013052	BUSH.BOWL PACK. SIZE 2 BLUE 03	x
21	60030013053	BUSH.BOWL PACK. SIZE 3 YELL.03	x
22	60030015061	CYLINDER PIN 03	4
23	60030015160	CONNECTING-ROD BOLT MJ10X1 04	4
30	61030007000 I	PISTON D=101 05	x
30	61030007000 II	PISTON D=101 05	x
31	60030074000	SAFETY CLIP	4
32	75030033000	PISTON PIN EB 22/72 d22x56	2
33	61030032000	OIL SCRAPER RING D=101MM	2
34	58330932100	TAP.COMPR.PISTON RING 101X1,25	2
35	61030030000	PISTON RING "L" D=101 H=1,25	2

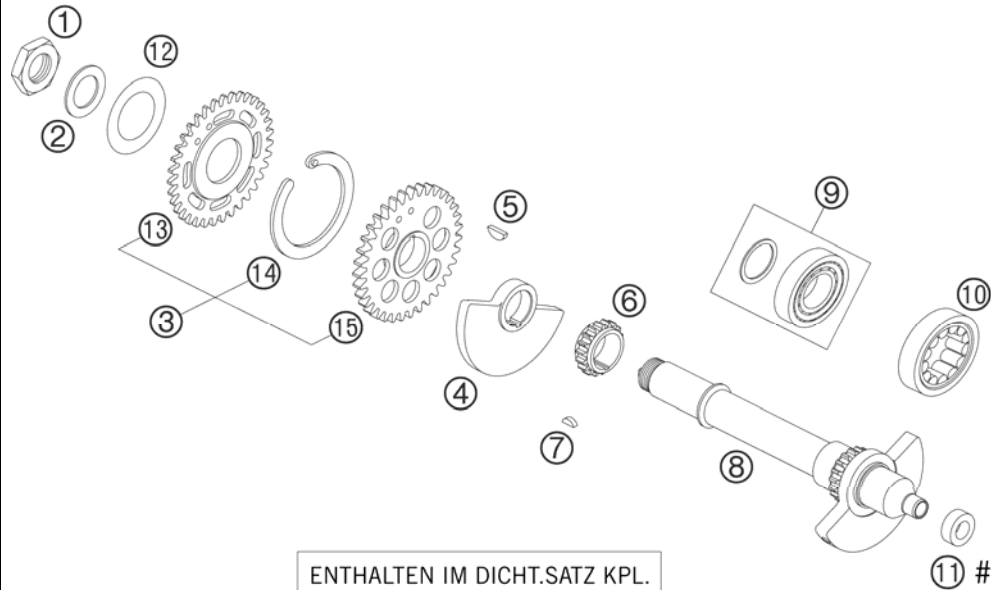
05600301 / C066103001

* NEW PART

X AS REQUIRED

BALANCER SHAFT

990 SUPERDUKE 2006



ENTHALTEN IM DICHT.SATZ KPL.
INCLUDED IN GASKET-SET CPL.
600.30.099.000

FIG	PART NUMBER	DESCRIPTION	QTY
1	60036073150	HEXAGON NUT M20X1,5 H=6MM 05	1
2	60033043000	STOP DISK 20,2 X 34 X 1	1
3	60036081000	SPREAD TRANSMISSION 05	1
4	61036074050	BALANCER WEIGHT R/S 05	1
5	0888040050	WOODRUFF KEY DIN6888 4X5X13	1
6	60036014018	TIMING GEAR 18-T 03	1
7	0888030037	WOODRUFF KEY DIN6888-3X3,7	1
8	61036073000	TIMING VALVE JACKSHAFT CPL.	1
9	60030024100	CYL. ROLLER BEAR. NUP 204E	1
10	60030021000	CYL.ROLLER BEARING 26,5X47X14	1
11	0760122050	SHAFT SEAL RING 12X20X5 B	1
12	0093463006	SPRING WASH. 30,5X46,5X0,6-1,5	1
13	60036083035	CLAMPING WHEEL 35-Z 05	1
14	60036081050	TENSION SPRING 05	1
15	60036082035	DRIVE WHEEL 35-T 05	1

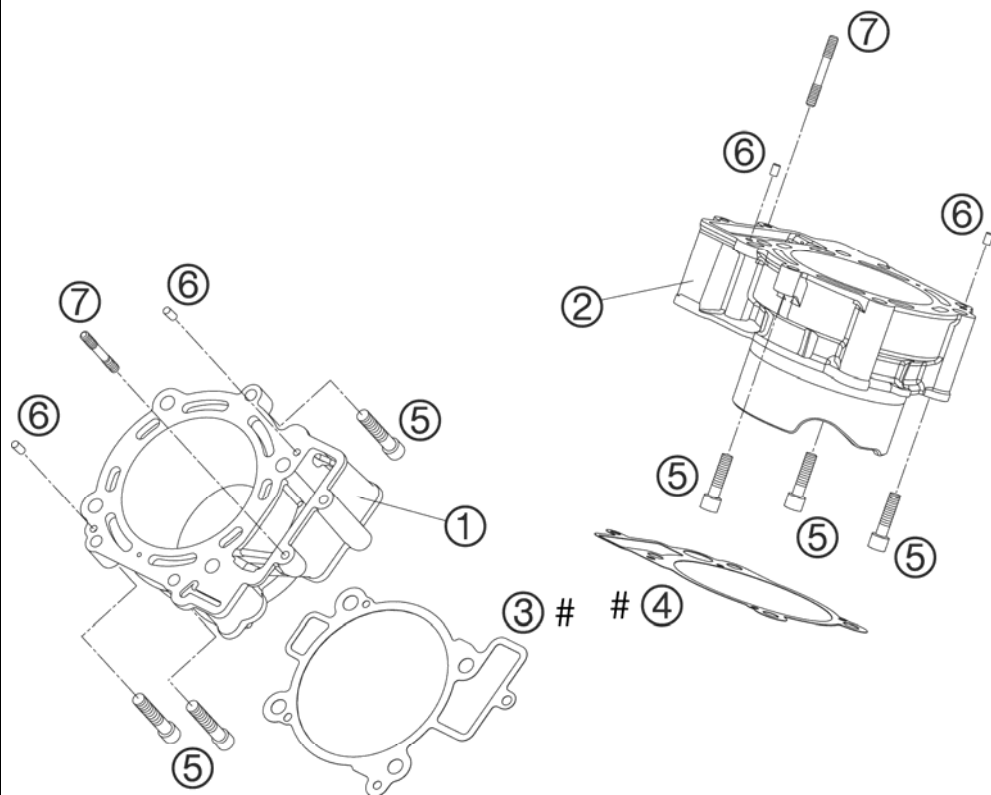
056253003 / C066103002

* NEW PART

X AS REQUIRED

CYLINDER

990 SUPERDUKE 2006



— ENTHALTEN IM DICHTUNGSSATZ KPL.
 INCLUDED IN GASKET-SET CPL.
 600.30.099.000
 ENTHALTEN IM DICHT.SATZ ZYL.KOPF
 INCLUDED IN GASKET-SET CYL. HEAD
 600.30.097.000

FIG	PART NUMBER	DESCRIPTION	QTY
1	61030005000	CYLINDER 05	1
2	61030105000	CYLINDER 05	1
3	60030035000	CYLINDER-BASE GASKET FR 0,35MM	1
4	60030135000	CYLINDER-BASE GASKET RR 0,35MM	1
5	0912080353	AH SCREW DIN0912-M 8X35	6
6	0474050100	GROOVED PIN DIN1474 5X10	4
7	60030043020	STUD M6X47 03	2

05600303 / C066103003

* NEW PART

X AS REQUIRED

SECONDARY AIR SYSTEM

990 SUPERDUKE 2006

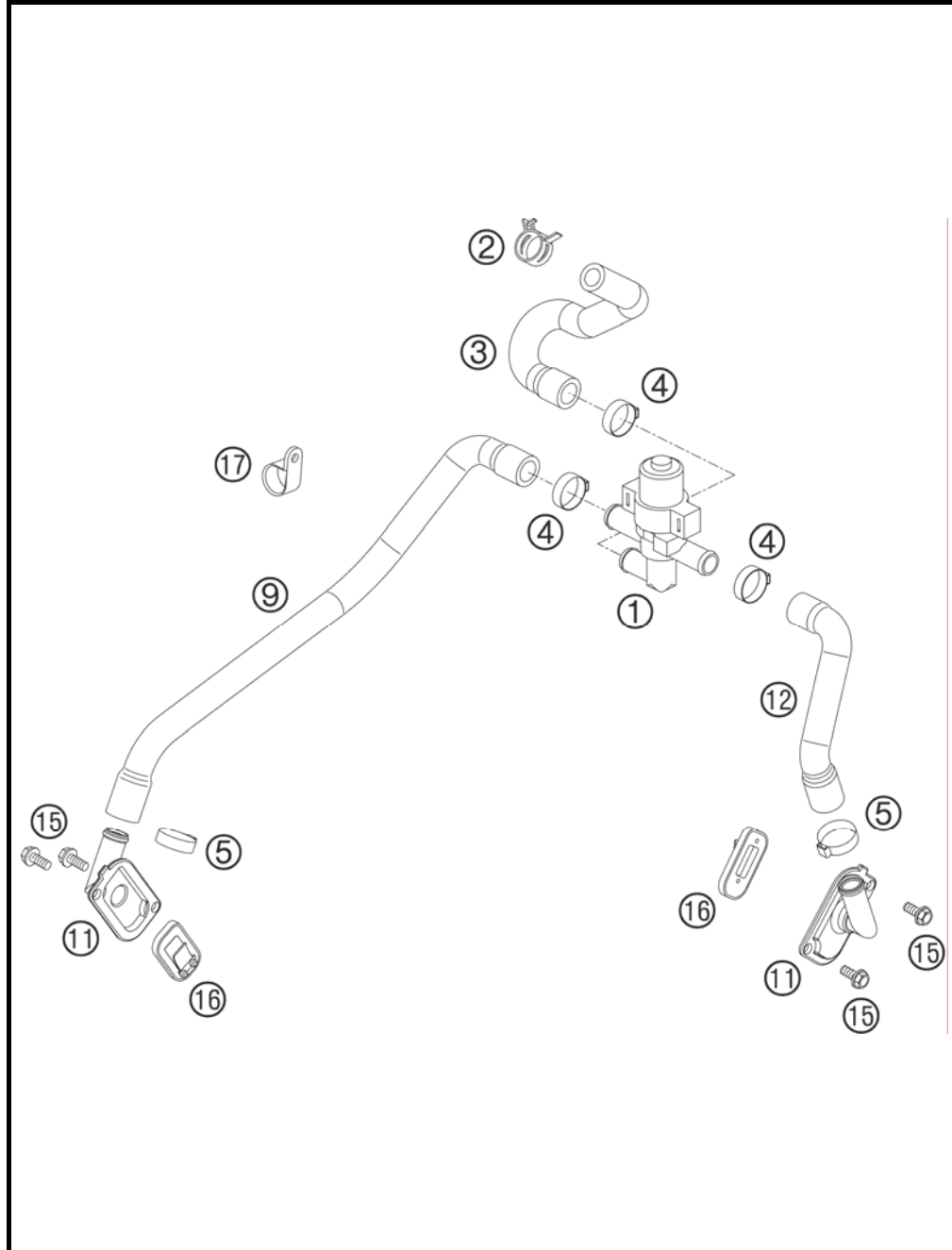


FIG	PART NUMBER	DESCRIPTION	QTY
1	61005026000	CONTROL VALVE SAS	05
2	00049190121	CLAMP STD DN19	1
3	61005035023	SAS HOSE AIRBOX	05
4	00050226706	VARIABLE ONE-EAR CLAMP 22,6MM	3
5	00050210706	VARIABLE ONE-EAR CLAMP 21,0MM	2
9	61005035021	SAS HOSE CYLINDER FRONT	05
11	60005022000	SAS FLANGE	03
12	61005035022	SAS HOSE CYLINDER REAR	05
15	0015060123	HH COLLAR SCREW M 6X12 WS=8	4
16	60005026000	SLS-VALVE	03
17	57013070400	PVC CLAMP 17,4MM HEYCO 3381	1

05610310 / C066103100

* NEW PART

X AS REQUIRED

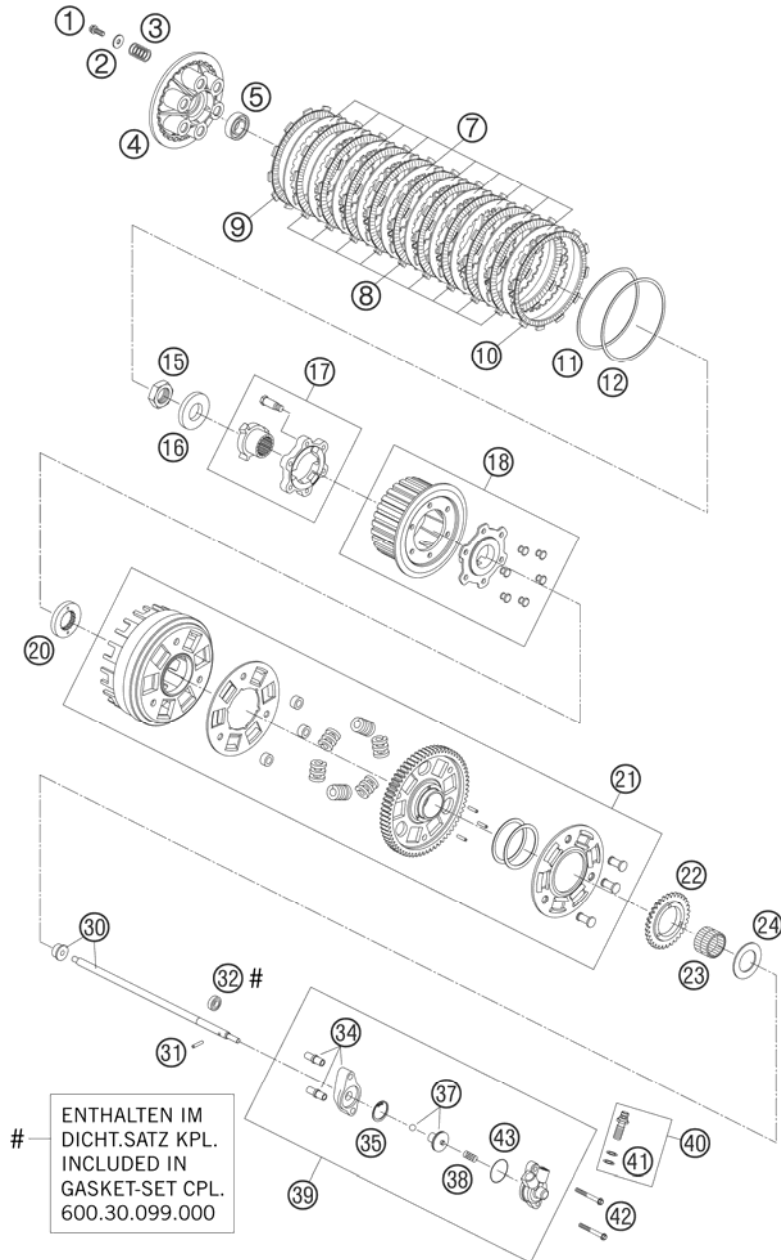


FIG	PART NUMBER	DESCRIPTION	QTY
1	0015060163	HH COLLAR SCREW M 6X16 WS=8	6
2	0021060003	WASHER DIN9021-A 6,4	6
3	60032005000	CLUTCH SPRING LC8 2003	6
4	60032003000	PRESSURE CAP LC8 2003	1
5	0625060032	BALL BEARING 6003 JR2 C4	1
7	60032010000	STEEL DISK 2MM 03	10
8	60032011000	LINING DISK 2,8MM 03	9
9	60032111000	LINING DISK OUTSIDE 2,8MM 03	1
10	60032012000	LINING DISK TURN OUT 2,8MM 03	1
11	60032034000	BELLEVILLE SPRING 2003	1
12	60032035000	THRUST WASHER 2003	1
15	0936220155	HEXAGON NUT DIN0936-M22X1,5 R.	1
16	0126220373	WASHER DIN0126 22X37X3 MM	1
17	60032080000	CLUTCH BOOSTER UNIT CPL. 03	1
18	60032002000	INNER CLUTCH HUB CPL. 03	1
20	60032021000	SECTION WASHER 03	1
21	60032001144	OUT.CLUTCH HUB CPL. 67-T 2004	1
22	60038001032	OIL PUMP GEAR WHEEL 32-T 03	1
23	0618303526	NEEDLE BUSH HK 30X35X26	1
24	60032020000	STOP DISK 30,2/50/2	1
30*	60032054400	PUSH ROD CPL.	1
31	0402031780	NEEDLE ROL.DIN5402 NRB 3X17,8	1
32	0760091862	SHAFT SEAL RING 9X18X06 B-NBR	1
34	60032061050	DISTANCE CLUTCH CONTR. CPL.	1
35	0472270120	CIRCLIP DIN0472	1
37	60032066000	PISTON WITH O-RING AND BALL 03	1
38	60032069000	COMPRESSION SPRING 8X20,75	1
39	60032061044	CYLINDER CPL. LC8 03	1
40	50332062000	HOLLOW SCREW CPL. M 10X1 '98	1
41	0603100141	COPPER GASKET DIN7603-10X14X1	2
42	0015060503	HH COLLAR SCREW M 6X50 WS=8	2
43	60032065000	O-RING GASKET 03	1

05600320 / C066253200

* NEW PART

X AS REQUIRED

TRANSMISSION I - MAIN SHAFT

990 SUPERDUKE 2006

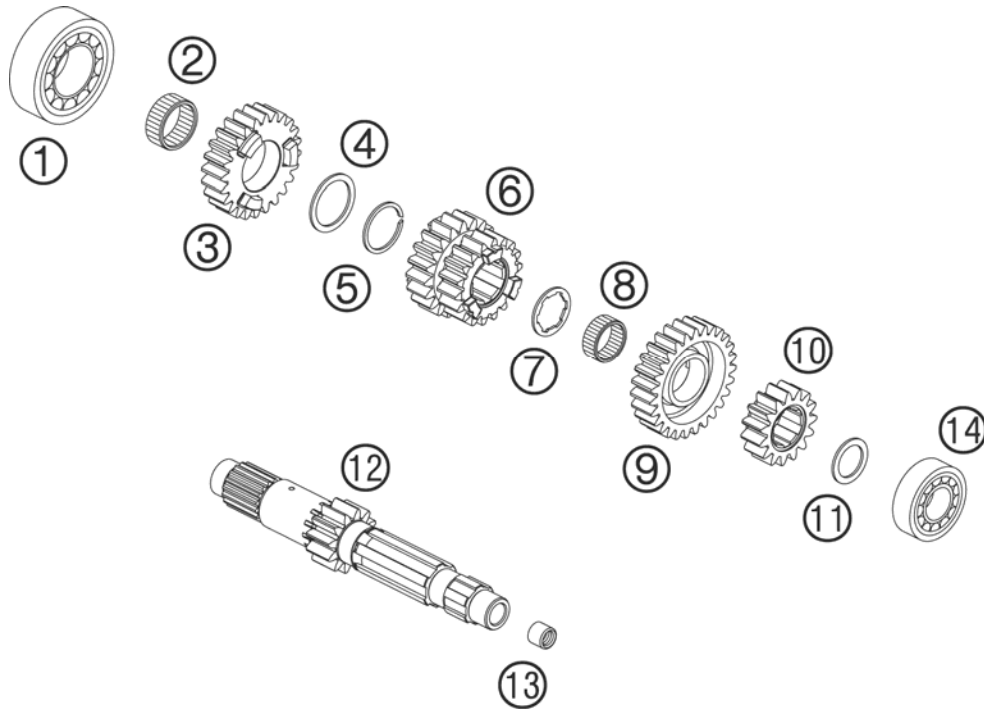


FIG	PART NUMBER	DESCRIPTION	QTY
1	0625062062	BALL BEARING 6206 C3 J1 NSK	1
2	0405263113	NEEDLE BEAR. K 26-31-13	1
3	61033005000	IDLER 5. GEAR 05	1
4	60033042000	STOP DISK 28,3/35,75/1,5	1
5	0417280150	LOCK RING DIN5417-WS28	1
6	61033003000	SLIDING GEAR 3/4 GEAR 05	1
7	60033041000	STOP DISK 22,2/30,2/1,5	1
8	0405222613	NEEDLE BEAR. K 22X26X13 TN	1
9	61033006000	IDLER 6. GEAR 05	1
10	61033002000	SOLID GEAR 2.G. 05	1
11	60033040000	STOP DISK 20,2/28/1,5	1
12	61033001000	MAIN SHAFT 05	1
13	0618091312	NEEDLE BUSH HK0912 9/13/12 03	1
14	0625062040	BALL BEARING 6204 DU J1 C3	1

03600330 / C066103300

* NEW PART

X AS REQUIRED

TRANSMISSION II - COUNTERSHAFT

990 SUPERDUKE 2006

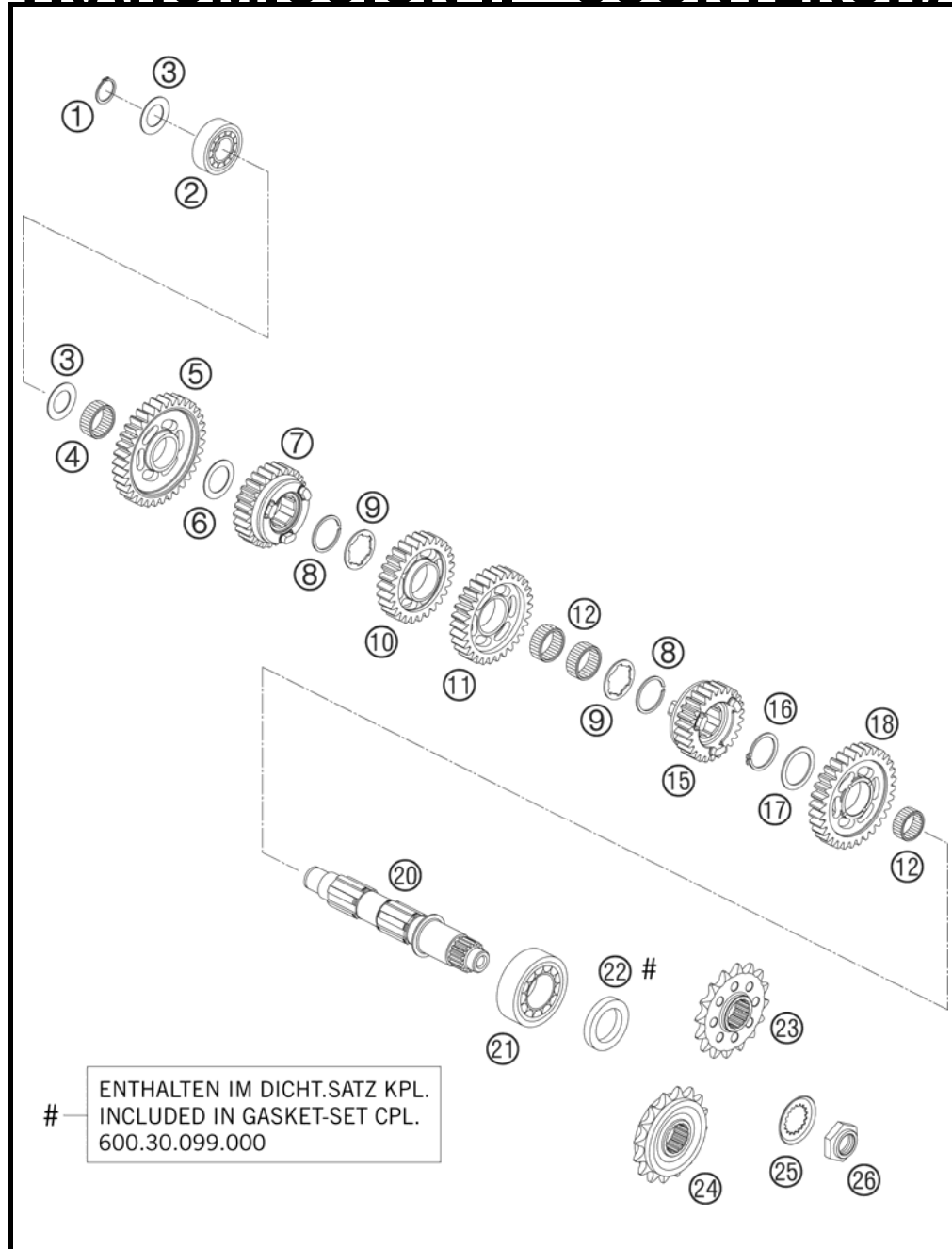


FIG	PART NUMBER	DESCRIPTION	QTY
1	0471200120	CIRCLIP DIN471 20X1,2	1
2	0625062040	BALL BEARING 6204 DU J1 C3	1
3	60033043000	STOP DISK 20,2 X 34 X 1	2
4	0405242813	NEEDLE BEAR. K 24X28X13 TN	1
5	61033011000	IDLER 1. GEAR 05	1
6	60033044000	STOP DISK 24,3/35,75/1	1
7	61033015000	5TH GEAR MAINSHAFT 05	1
8	0417300151	LOCK RING WS 30	2
9	60033045000	STOP DISK 26,2/36/1,5	2
10	61033014000	IDLER GEAR 4TH G 05	1
11	61033013000	IDLER 3. GEAR 05	1
12	0405263113	NEEDLE BEAR. K 26-31-13	3
15	61033016000	6th gear mainshaft 05	1
16	0471300151	CIRCLIP DIN0471-30X1,5 NIRO	1
17	60033046000	STOP DISK 30,2/39/1,5	1
18	61033012000	IDLER 2. GEAR 05	1
20	60033010000	COUNTERSHAFT 03	1
21	50330082000	CYL.ROLLER BEAR.NJ206 ET2XCS46	1
22	0760304772	SH.SEAL RING 30X47X7 BSL VITON	1
23	60033029016	CHAIN SPROCKET 16-T 03	x
23	60033029017	CHAIN SPROCKET 17-T 03	x
24	60033129017	CHAIN SPROCKET 17-T DAMPED 03	x
25	60033034000	SECURING PLATE TOOTHED 03	1
26	60033035000	HEXAGON NUT M20X1,5 03	1

ENTHALTEN IM DICHT.SATZ KPL.
INCLUDED IN GASKET-SET CPL.
600.30.099.000

05600331 / C066103301

* NEW PART

X AS REQUIRED



SHIFTING MECHANISM

990 SUPERDUKE 2006

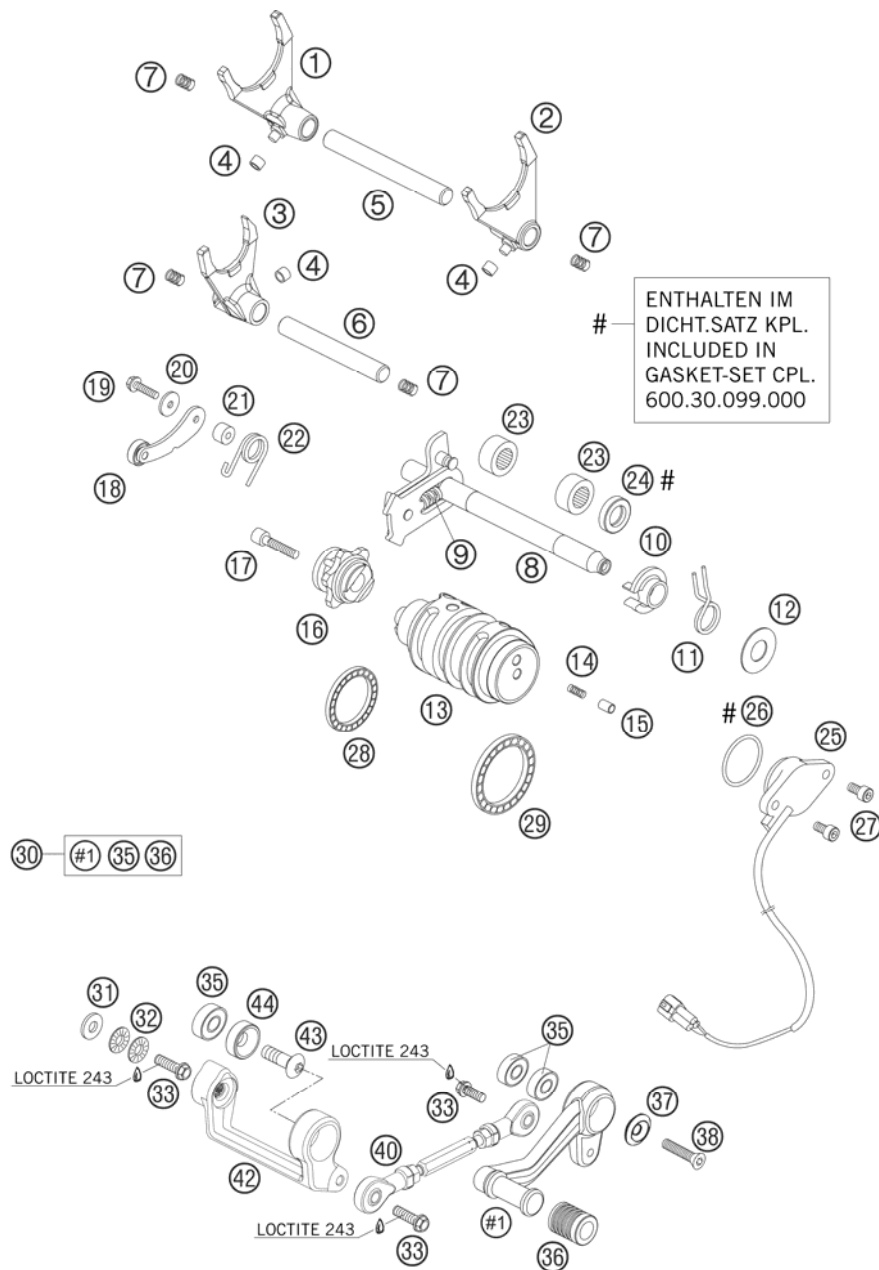


FIG	PART NUMBER	DESCRIPTION	QTY
1	60034001000	SHIFT FORK 1-4 GEAR LC8	03
2	60034002000	SHIFT FORK 2-3 GEAR LC8	03
3	60034003000	SHIFT FORK 5-6 GEAR LC8	03
4	50334018100	SHIFTING ROLLER 6X8X5,2	3
5	59034020000	SHIFT RAIL 11,8X105MM	1
6	59034019000	SHIFT RAIL 11,8X89MM	1
7	58038023200	PRESSURE SPRING 0,9MM	4
8	60034005044	SHIFT SHAFT CPL.	03
9	56534013100	TENSIONING SPRING 0,8MM	1
10	54634020000	SPRING GUIDE	1
11	54634014100	RETURN SPRING 2,2MM '95	1
12	54634050000	STOP DISK 14X30X1	1
13*	60034012300	SHIFT ROLLER CPL.	06
14	60034014000	CONTACT SPRING	03
15	60034037000	CONTACT BOLT	03
16	60034015044	SHIFT ARRESTING CPL.	03
17	0984060302	AH SCREW DIN6912 M 6X30	1
18	60034024044	ARRESTING LEVER CPL.	03
19	0015050203	HH COLLAR SCREW M 5X20 WS=8	1
20	0349000050	WASHER DIN7349-5X15X2	1
21	54634052300	SLEEVE FOR LOCKING LEVER	1
22	60034023000	ARRESTING LEVER SPRING	03
23	54632095000	NEEDLE BEAR.HK 1412 14X20X12	2
24	0760142460	SHAFT SEAL RING 14X24X6 B	1
25	60011023000	GEAR-POSITION SENSOR	03
26	0770275025	O-RING 27,5X2,5 NBR	1
27	0912050103	AH SCREW DIN0912-M 5X10	2
28	0625618050	BALL BEARING 61805 C3	1
29	0625068080	GROOVED BALL BEARING 6808 JRC3	1
30	61034031044	SCHIFT LEVER KPL.	05
31	50232050001	STEEL WASHER 6,4X17X3	1
32	50233041000	PAIR OF WASHERS M 6 NORDLOCK	1
33	59009062019	SPECIAL SCREW M6X19 WS=8 10.9	3
35	0625006087	GROOVED BALL BEAR. 608 2RS C3	3
36	61034035000	RUBBER FOR SHIFT LEVER	05
37*	58303061100	SPECIAL WASHER ALU 8X24 MM ELO	1

066103400 / C066103400

* NEW PART

X AS REQUIRED

SHIFTING MECHANISM

990 SUPERDUKE 2006

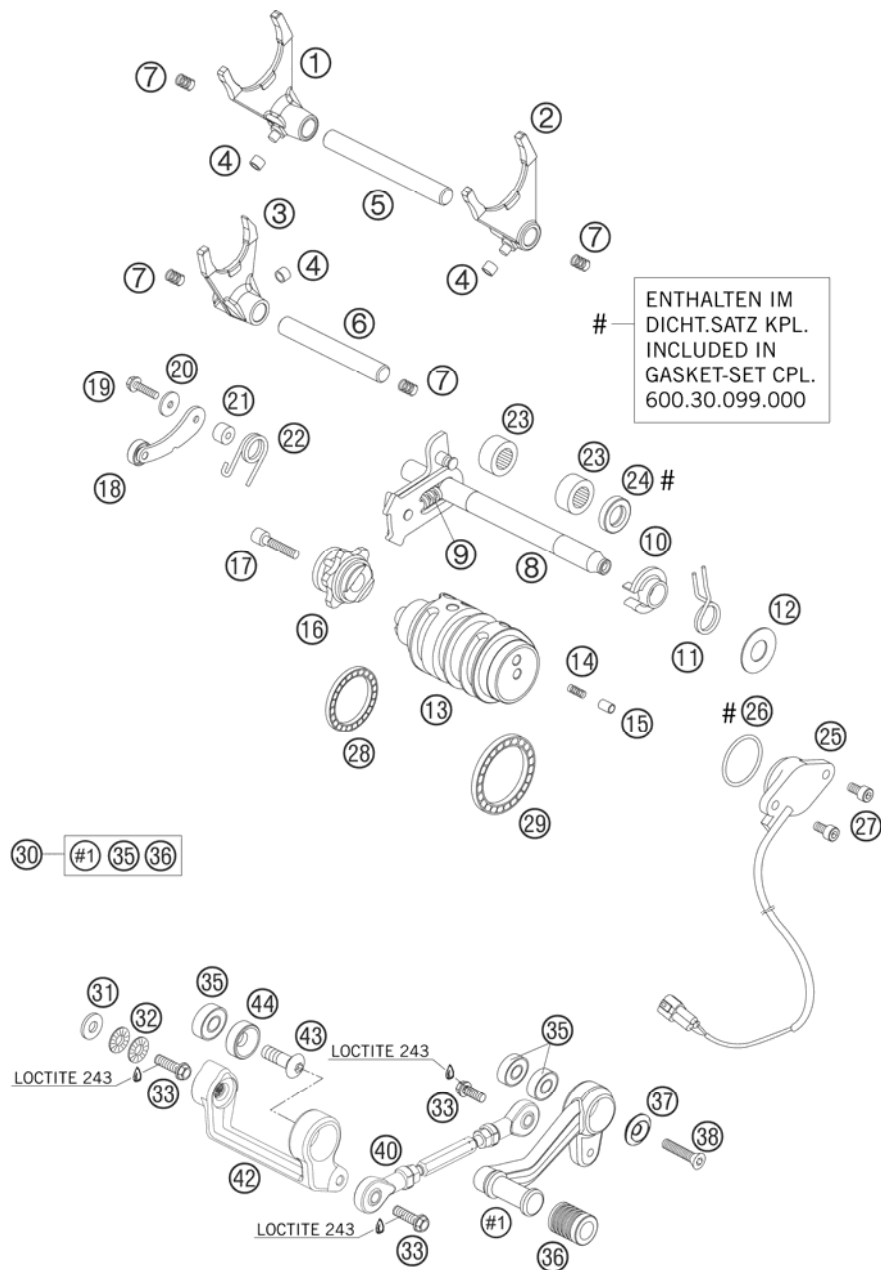


FIG	PART NUMBER	DESCRIPTION	QTY
38	61013059000	FLAT HEAD SCREW M8X32 SL 05	1
40	61034036044	SHIFT ROD CPL. 05	1
42	61034030000	RELAY LEVER SELCTOR SHAFT '05	1
43	54510052100	SPROCKET SCREW-AH M8X26 WS=6	1
44	61034030050	WASHER COUNT. 8,5X21X7,804	1

066103400 / C066103400

* NEW PART

X AS REQUIRED

WATER PUMP

990 SUPERDUKE 2006

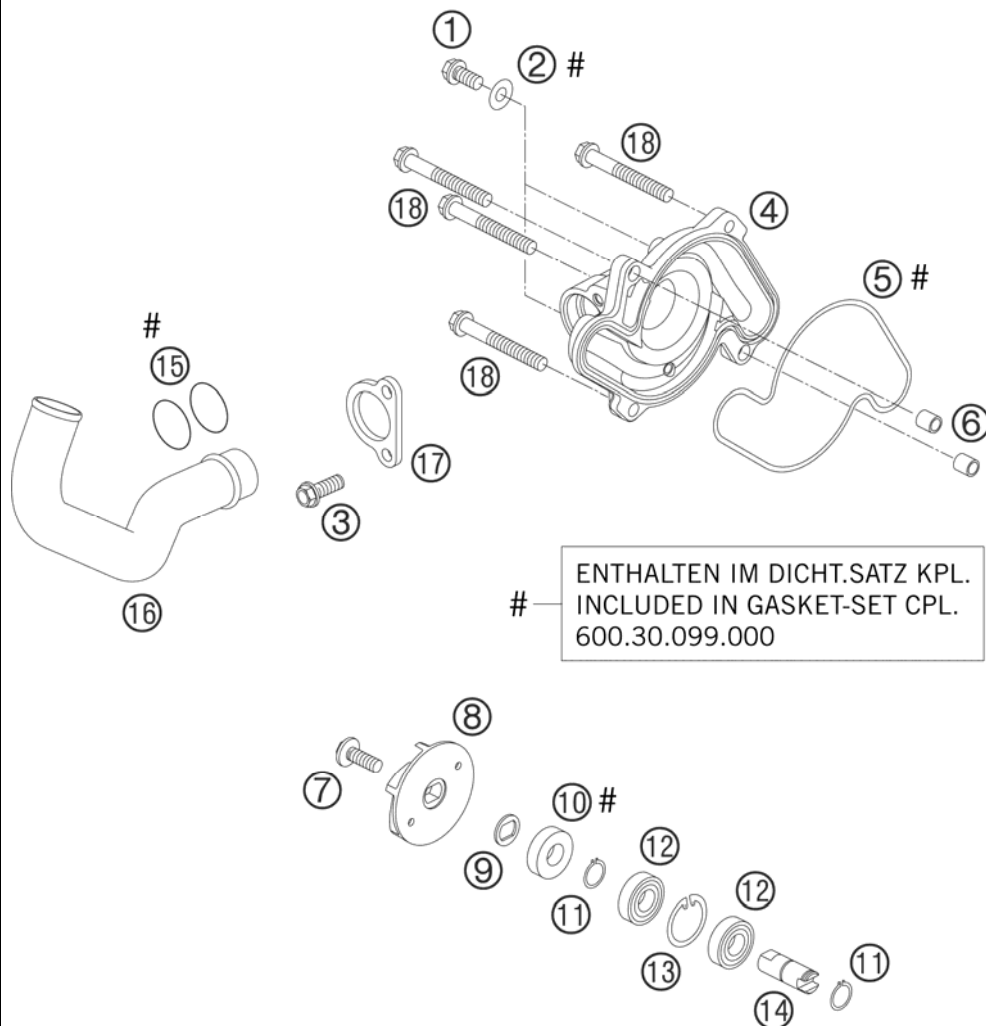


FIG	PART NUMBER	DESCRIPTION	QTY
1	0015060103	HH COLLAR SCREW M 6X10 WS=8	2
2	0603061001	CU-SEAL RING DIN7603-6X10X1	2
3	0015060163	HH COLLAR SCREW M 6X16 WS=8	2
4	60035052000	WATER-PUMP COVER 03	1
5	60035053000	WATER-PUMP GASKET 03	1
6	59030023000	DOWEL 6X8X11,5	2
7	0014060153	HH COLLAR SCREW M 6X15 WS=8	1
8	60035055100	WATER-PUMP WHEEL LC8 03	1
9	60035055150	FORM WASHER 16X1 NIRO 03	1
10	0760123072	SHAFT SEAL RING 12X30X7 VITON DOUBLE-LIP	1
11	0471120010	CIRCLIP DIN0471-12X1	2
12	0625069010	GROOVED BALL BEARING 6901V C3	2
13	0472240120	CIRCLIP DIN472 D=24X1,2	1
14	60035054000	WATER-PUMP SHAFT 03	1
15	0770250030	O-RING 25,00X3,00 NBR 70	2
16	60035021000	ALUMINUM TUBE WATER-PUMP 03	1
17	60035021050	FIXING CLAMP WATER-P. TUBE 03	1
18	0015060603	HH COLLAR SCREW M 6X60 WS=8	4

05600350 / C066103500

* NEW PART

X AS REQUIRED

COOLING SYSTEM

990 SUPERDUKE 2006

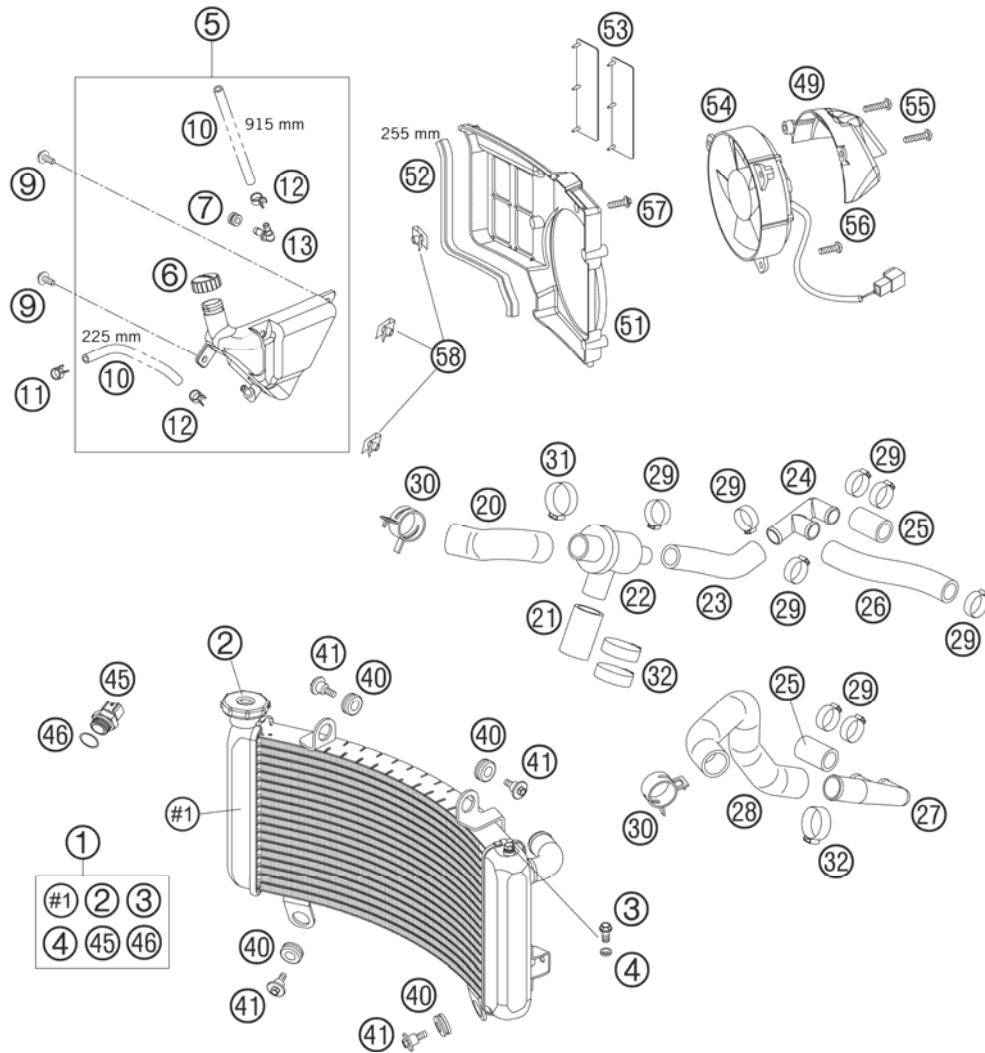


FIG	PART NUMBER	DESCRIPTION	QTY
1	61035010000	RADIATOR 990 DUKE 05	1
2	61035016000	RADIATOR CAP 990 DUKE 05	1
3	0015060103	HH COLLAR SCREW M 6X10 WS=8	1
4	0125060003	WASHER DIN0125-A 6,4	1
5	61035065000	EXPANSION TANK CPL. 05	1
6	60035066000	PLUG F. EXPANSION TANK	1
7	58214069051	RUBBER GROMMET 16X10,8X3 02	1
9	0014060153	HH COLLAR SCREW M 6X15 WS=8	2
10	60035067001	HOSE 6X10 EPDM 03	x
11	50231005000	HOSE CLAMP YDNAC 10119 11MM	1
12	58007117000	YDNAC-CLAMP 10107 10MM	2
13	60035068000	ANGLE CONNECTION EXPANS. TANK	1
20	60035031000	RADIATOR HOSE THERM./RAD.	1
21	60035030000	RADIATOR HOSE THERM./PUMP 03	1
22	60035017000	THERMOSTAT 75° CPL. W. CASE 03	1
23	60035025000	RADIATOR HOSE THERM./DISTR. 03	1
24	60035019000	DISTRIBUTOR R/S 18/18/18MM 03	1
25	60035026000	RADIATOR HOSE CYL./DISTR. 03	2
26	60035027000	RADIATOR HOSE DISTR./DISTR. 03	1
27	60035028000	DISTRIBUTOR L/S 18/18/25MM 03	1
28	60035024000	RADIATOR HOSE RADIATOR L/S 03	1
29	00050271708	VARIABLE ONE-EAR CLAMP 27,1MM	8
30	00049320121	CLAMP STD DN32	2
31	00050346706	VARIABLE ONE-EAR CLAMP 34,6MM	1
32	00050331706	VARIABLE ONE-EAR CLAMP 33,1MM	3
40	41001052000	RUBBER SLEEVE D=12MM	4
41	60035001000	SCREW RADIATOR BRACKET M6 03	4
45	60035045000	THERMOSWITCH LC8 102DG '03	1
46	0770017015	O-RING 17X1,5 NB75	1
49	61035044050	FAN CAP 05	1
51	60035044000	FAN COWL L/S 03	1
52	58312085100	EDGE PROTECTOR PER METER	x
53	58435044050	FAN FLAP RUBBER LC4 2000	2
54	60035041000	FAN L/S 03	1
55	0017060303	SPECIAL SCREW T60 6X30 WS=6	2
56	0017060203	EJOT PT SCREW K60X20 WS=6	1

05610351 / C066103501

* NEW PART

X AS REQUIRED

COOLING SYSTEM

990 SUPERDUKE 2006

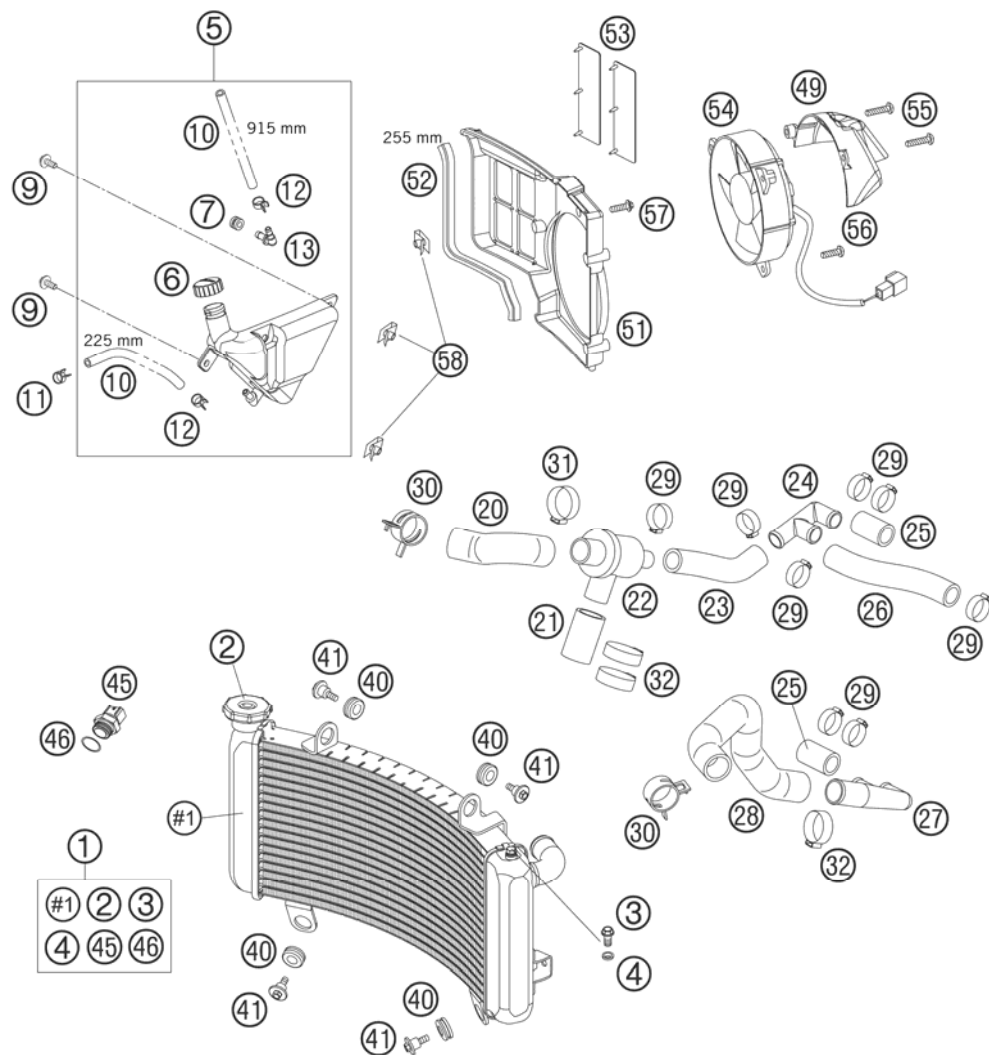


FIG	PART NUMBER	DESCRIPTION	QTY
57	0014060203	HH COLLAR SCREW M 6X20 WS=8	1
58	54603048100	RANGE CHANGE METAL NUT M6	3

05610351 / C066103501

* NEW PART

X AS REQUIRED

CYLINDER HEAD FRONT

990 SUPERDUKE 2006

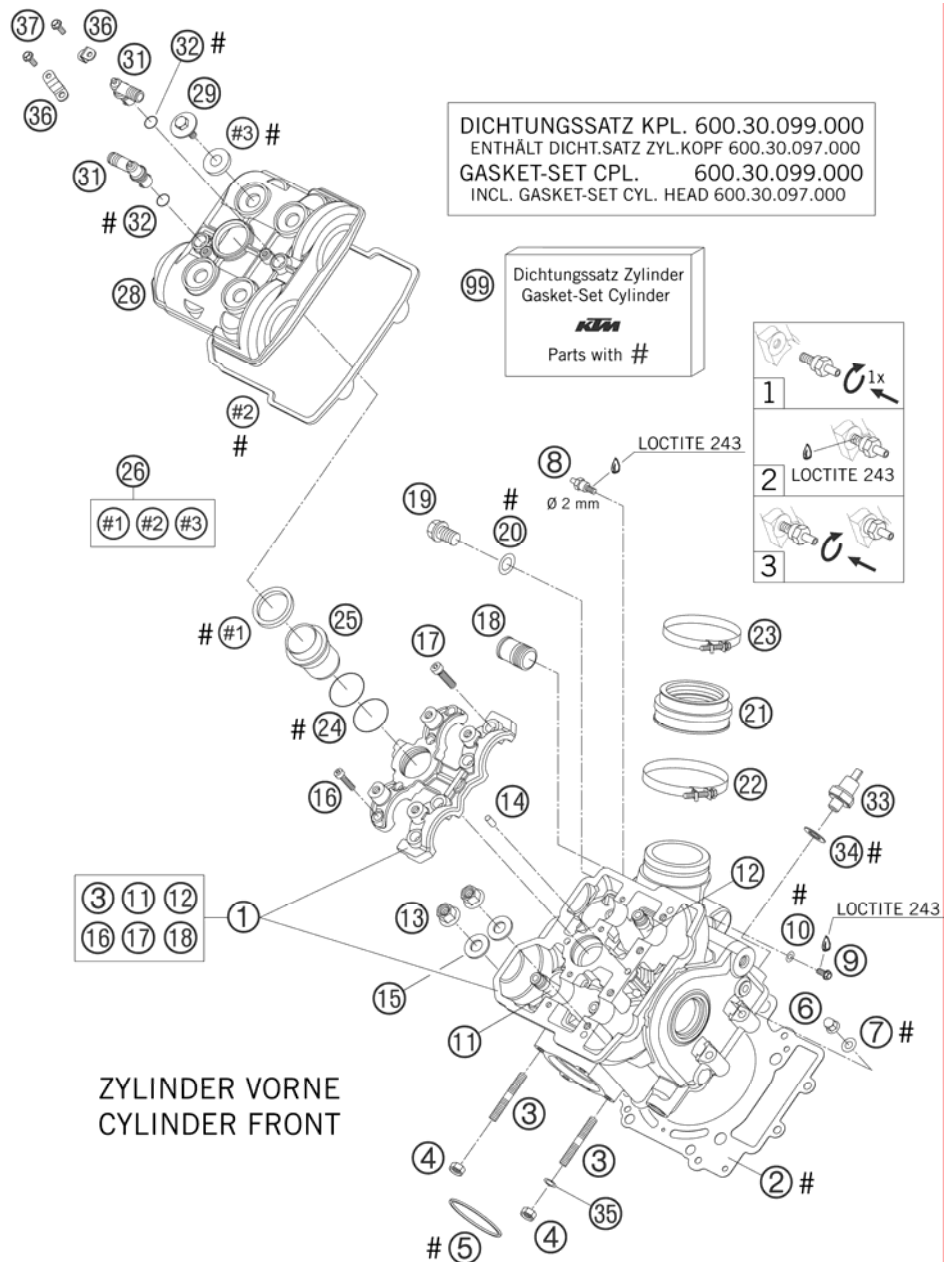


FIG	PART NUMBER	DESCRIPTION	QTY
1	61036020144	CYLINDER HEAD CPL. FRONT 05	1
2	60030036000	CYLINDER HEAD GASKET 0,5 101MM	1
3	0835080256	STUD DIN0835-M 8X25 10.9	2
4	51010086100	SELF LOCKING NUT M 8 CU	2
5	61005005000	EXHAUST GASKET 05	1
6	0587060000	CAP NUT M6 DIN1587 02	2
7	0125060003	WASHER DIN0125-A 6,4	2
8	61036023100	VACUUM CONECTION 2006	1
9	0015060103	HH COLLAR SCREW M 6X10 WS=8	x
10	0603061001	CU-SEAL RING DIN7603-6X10X1	x
11	60036026100	VALVE GIUDE OUTLET '05	2
12	60036025100	VALVE GIUDE INDUCTION '05	2
13	60036078200	COLLAR NUT M 10 WS=13 05	4
14	0402050980	NEEDLE ROLLER DIN5402 5X9,8	2
15	60036078050	SHIM 10,2X19X1,5MM 05	4
16	0912060255	AH SCREW DIN0912-M 6X25 10.9	4
17	0984080305	AH SCREW DIN7984-M 8X30 10.9	4
18	58030010100	HOSE CONNECTOR M20X1,5 SPLICE.	1
19	0908120153	PLUG DIN0908-M12X1,5	1
20	58038022000	CU-SEAL RING DIN7603-12X18X1,5	1
21	61036044000	RUBBERSLEEVE INTAKE FLANGE 05	1
22	61036048000	HOSE CLAMP GEMI 66MM 05	1
23	61036047000	HOSE CLAMP GEMI 63MM 05	1
24	0770298178	O-RING 29,87X1,78 VITON	2
25	60036075000	INSERT SPARK-PLUG SHAFT LC8 03	1
26	60036099000	VALVE COVER GASKET SET FR+RR	1
28	60036052000	VALVE COVER FRONT 03	1
29	60036052020	COLLAR SCREW M 6 WS=10 03	4
31	60038082000	ANGLE CONNECTOR LC8 03	2
32	0770080020	O-RING 8X2 SILICONE	2
33	60038091100	OIL-PRESSURE SWITCH LC8 04	1
34	0603100141	COPPER GASKET DIN7603-10X14X1	1
35	61005009000	SPACER BUSH. 8,5X15X7,5 05	1
36	60038082050	ANGLE CONNECTOR BRACKET PANEL	2
37	0009050103	SPECIAL SCREW M 5,0X10	2
99	60030097000	GASKET SET CYL. HEAD KPL. 03 CYLINDER FRONT + REAR	1

066103600 / C066103600

* NEW PART

X AS REQUIRED

CYLINDER HEAD REAR

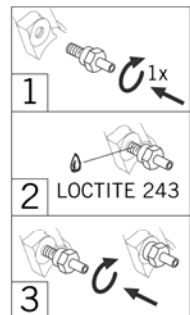
990 SUPERDUKE 2006

DICHTUNGSSATZ KPL. 600.30.099.000
 ENTHÄLT DICHT.SATZ ZYL.KOPF 600.30.097.000
 GASKET-SET CPL. 600.30.099.000
 INCL. GASKET-SET CYL. HEAD 600.30.097.000

99 Dichtungssatz Zylinder
 Gasket-Set Cylinder



Parts with #



LOCTITE 243

ZYLINDER HINTEN
 CYLINDER REAR

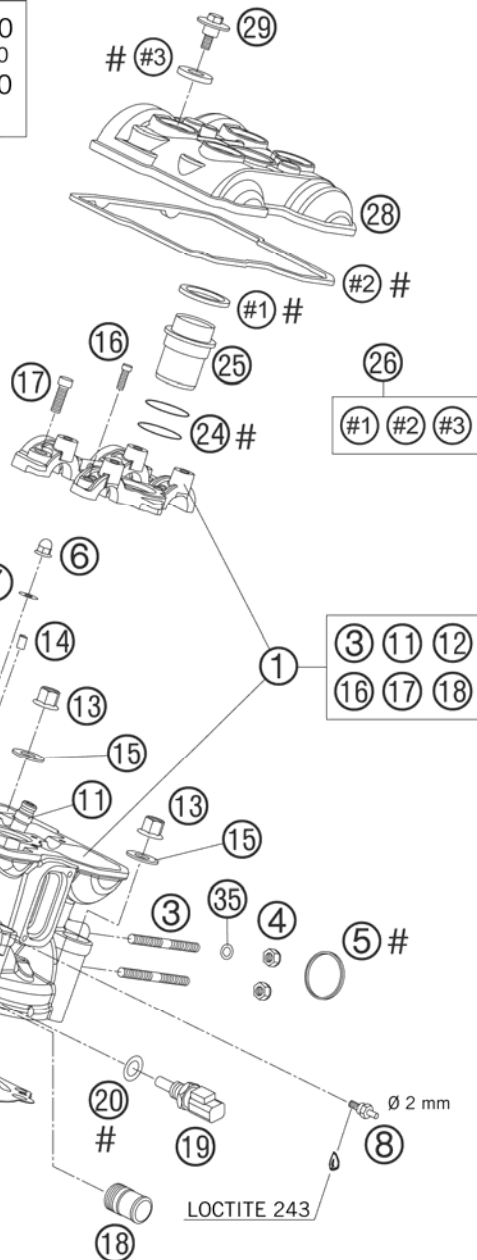


FIG	PART NUMBER	DESCRIPTION	QTY
1	61036120144	CYLINDER HEAD CPL. REAR 05	1
2	60030036000	CYLINDER HEAD GASKET 0,5 101MM	1
3	0835080256	STUD DIN0835-M 8X25 10.9	2
4	51010086100	SELF LOCKING NUT M 8 CU	2
5	61005005000	EXHAUST GASKET 05	1
6	0587060000	CAP NUT M6 DIN1587 02	2
7	0125060003	WASHER DIN0125-A 6,4	2
8	61036023100	VACUUM CONECTION 2006	1
9	0015060103	HH COLLAR SCREW M 6X10 WS=8	x
10	0603061001	CU-SEAL RING DIN7603-6X10X1	x
11	60036026000	VALVE GUIDE EXHAUST 03	2
12	60036025000	VALVE GUIDE INTAKE 03	2
13	60036078200	COLLAR NUT M 10 WS=13 05	4
14	0402050980	NEEDLE ROLLER DIN5402 5X9,8	2
15	60036078050	SHIM 10,2X19X1,5MM 05	4
16	0912060255	AH SCREW DIN0912-M 6X25 10.9	4
17	0984080305	AH SCREW DIN7984-M 8X30 10.9	4
18	58030010100	HOSE CONNECTOR M20X1,5 SPLICE.	1
19	60011252000	TEMPERAT.-SENSOR WATER LC8 02	1
20	0770100020	O-RING 10,00X2,00 SILCONE	1
21	61036044000	RUBBERSLEEVE INTAKE FLANGE 05	1
22	61036048000	HOSE CLAMP GEMI 66MM 05	1
23	61036047000	HOSE CLAMP GEMI 63MM 05	1
24	0770298178	O-RING 29,87X1,78 VITON	2
25	60036075000	INSERT SPARK-PLUG SHAFT LC8 03	1
26	60036099000	VALVE COVER GASKET SET FR+RR	1
28	60036152000	VALVE COVER REAR 03	1
29	60036052020	COLLAR SCREW M 6 WS=10 03	4
35	61005009000	SPACER BUSH. 8,5X15X7,5 05	1
99	60030097000	GASKET SET CYL. HEAD KPL. 03 CYLINDER FRONT + REAR	1

066103601 / C066103601

* NEW PART

X AS REQUIRED

TIMING VALVE

990 SUPERDUKE 2006

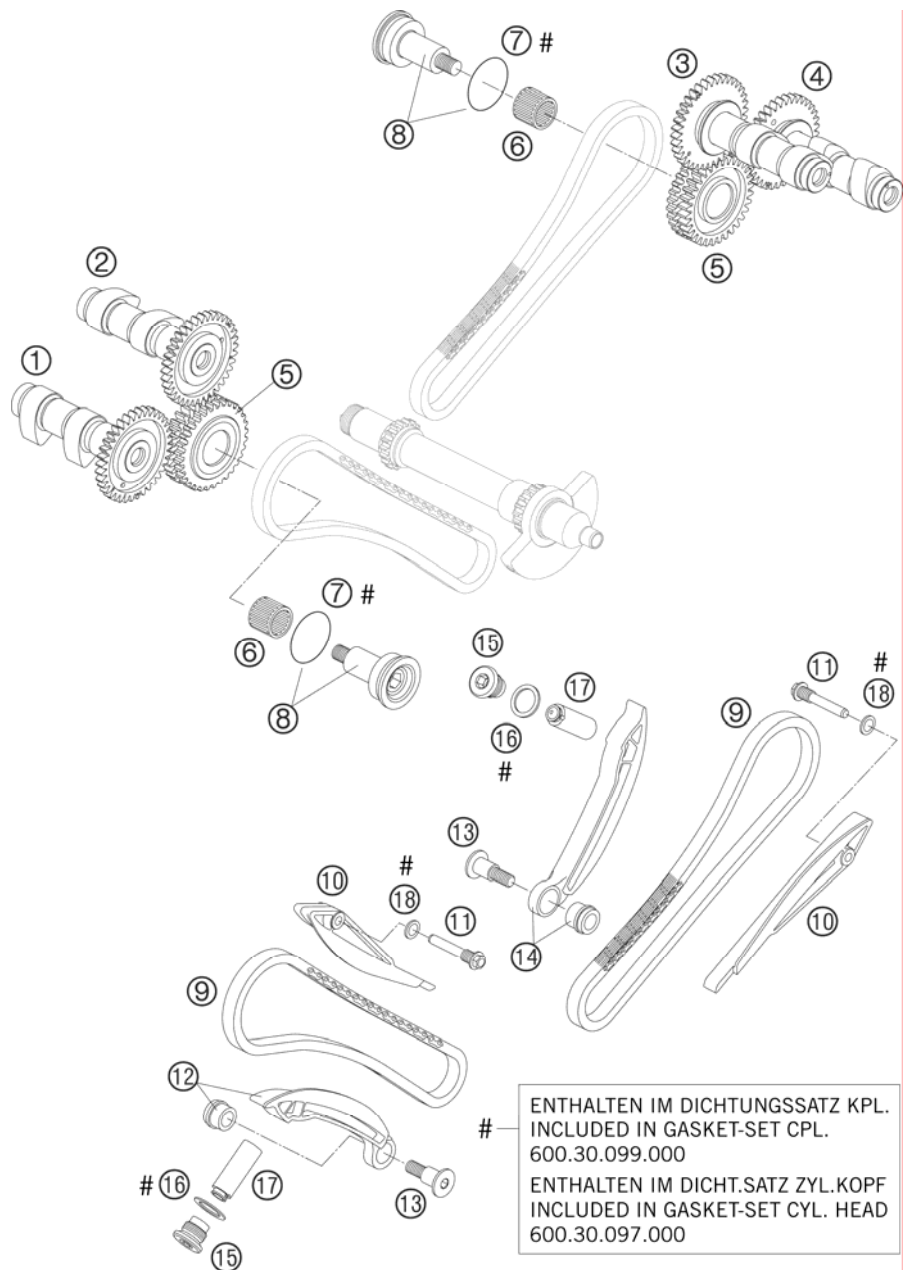


FIG	PART NUMBER	DESCRIPTION	QTY
1*	61036010144	CAMSHAFT EXHAUST CPL. FRONT 05	1
2*	61036009144	CAMSHAFT INTAKE CPL. FRONT 05	1
3*	61036109144	CAMSHAFT INTAKE CPL. REAR 05	1
4*	61036110144	CAMSHAFT EXHAUST CPL. REAR 05	1
5	60036070000	TIMING GEARS 32-T CPL. 03	2
6	0405182420	NEEDLE BEARING K18/24/20	2
7	0770290020	O-RING 29X2 VITON	2
8	60036071044	BEARING BOLT CPL. W. O-RING 03	2
9	60036013000	TOOTH CHAIN 88 LINK 6,35PITCH	2
10	60036001000	GUIDE RAIL 03	2
11	60036002060	BUSHING SCREW 2 CYL. 03	2
12	60036002000	TENSIONER RAIL CPL. FRONT 03	1
13	60036002050	COLLAR SCREW AH M8 03	2
14	60036102000	TENSIONER RAIL CPL. REAR 03	1
15	60036008000	SCREW PLUG M16X1,5 03	2
16	0603162013	CU SEAL-RING DIN7603 16X20X1,3	2
17	60036003000	TIMING-CH.TENS. HYDR.(75YM) 03	2
18	0603082121	SEAL RING CU DIN7603- 8X12X1	2

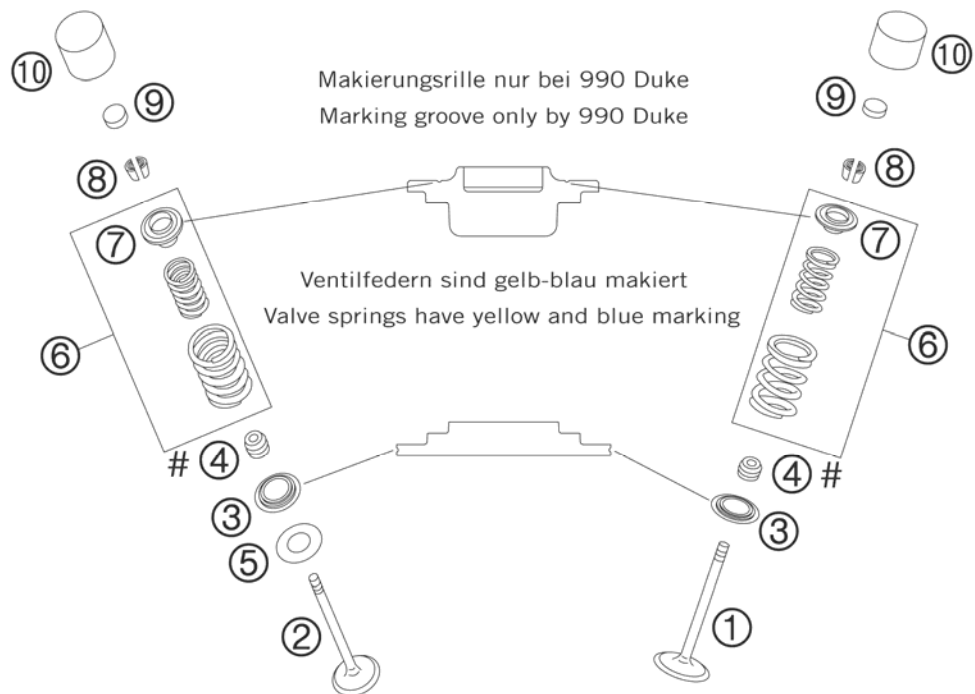
05600363 / C066103602

* NEW PART

X AS REQUIRED

EXHAUST

INTAKE



ENTHALTEN IM DICHTUNGSSATZ KPL.
INCLUDED IN GASKET-SET CPL.
600.30.099.000
ENTHALTEN IM DICHT.SATZ ZYL.KOPF
INCLUDED IN GASKET-SET CYL. HEAD
600.30.097.000

FIG	PART NUMBER	DESCRIPTION	QTY
1	60036030000	INTAKE VALVE 03	4
2	60036031100	EXHAUST VALVE 05	4
3	61036036000	VALVE SPRING HOLDER 05	8
4	59036027000	VALVE-STEM SEALING RACING	8
5	54634050000	STOP DISK 14X30X1 EXHAUST	4
6	61036029044	VALVE SPRING SET CPL. 05	8
7	61036032000	VALVE SPRING RETAINER STEEL 05	8
8	60036033000	VALVE COLLET MK6 03	16
9	60036035200	SHIM D=10/2,00 03	x
9	60036035205	SHIM D=10/2,05 03	x
9	60036035210	SHIM D=10/2,10 03	x
9	60036035215	SHIM D=10/2,15 03	x
9	60036035220	SHIM D=10/2,20 03	x
9	60036035225	SHIM D=10/2,25 03	x
9	60036035230	SHIM D=10/2,30 03	x
9	60036035235	SHIM D=10/2,35 03	x
9	60036035240	SHIM D=10/2,40 03	x
9	60036035245	SHIM D=10/2,45 03	x
9	60036035250	SHIM D=10/2,50 03	x
9	60036035255	SHIM D=10/2,55 03	x
9	60036035260	SHIM D=10/2,60 03	x
9	60036035265	SHIM D=10/2,65 03	x
9	60036035270	SHIM D=10/2,70 03	x
9	60036035275	SHIM D=10/2,75 03	x
9	60036035280	SHIM D=10/2,80 03	x
9	60036035285	SHIM D=10/2,85 03	x
9	60036035290	SHIM D=10/2,90 03	x
9	60036035295	SHIM D=10/2,95 03	x
9	60036035300	SHIM D=10/3,00 03	x
9	60036035305	SHIM D=10/3,05 03	x
9	60036035310	SHIM D=10/3,10 03	x
9	60036035315	SHIM D=10/3,15 03	x
9	60036035320	SHIM D=10/3,20 03	x
10	61036034000	BUCKET TAPPET 05	8

05610363 / C066103603

* NEW PART

X AS REQUIRED

LUBRICATING SYSTEM

990 SUPERDUKE 2006

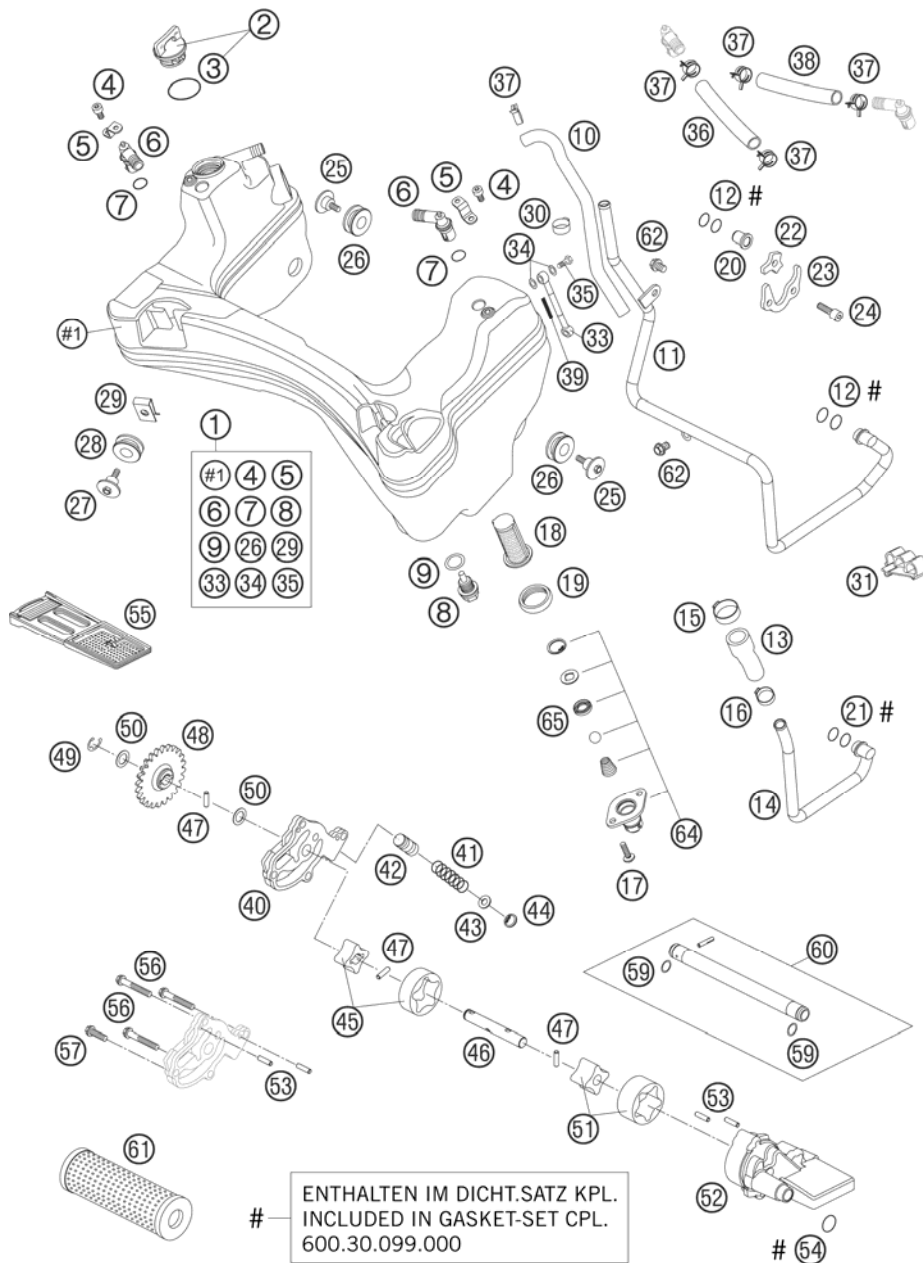


FIG	PART NUMBER	DESCRIPTION	QTY
1	61038081000	OIL TANK KPL. 05	1
2	58030020100	PLUG CPL. M24X3	1
3	0770191015	O-RING 19,00X3,00 NBR	1
4	0912050103	AH SCREW DIN0912-M 5X10	2
5	60038082050	ANGLE CONNECTOR BRACKET PANEL	2
6	60038082000	ANGLE CONNECTOR LC8 03	2
7	0770080020	O-RING 8X2 SILICONE	2
8	58030021000	OILDRAIN PLUG W.MAG. M 12X1,5	1
9	58038022000	CU-SEAL RING DIN7603-12X18X1,5	1
10*	60038061103	PREFORMED HOSE D9X3,5	1
11	60038061044	OIL PIPE "B"	1
12	0770090021	O-RING 9X2 VITON	4
13	61038034000	OIL HOSE PIPE A 05	1
14	60038060044	OIL PIPE "A"	1
15	00050256706	VARIABLE ONE-EAR CLAMP 25,6MM	1
16	00050198706	VARIABLE ONE-EAR CLAMP 19,8MM	1
17	0015060163	HH COLLAR SCREW M 6X16 WS=8	2
18	60038017000	OIL SCREEN FINISHED 03	1
19	60038018000	GASKET FOR OIL FILTER HNBR 03	1
20	60038024000	PLUG 10MM LC8 03	1
21	0770110021	O-RING 11X2 VITON	2
22	60038037000	RETAINING PLATE 2 LC8 03	1
23	60038036000	RETAINING PLATE 1 LC8 03	1
24	0912060203	AH SCREW DIN0912-M 6X20	3
25	60038083000	SCREW OIL TANK FIXING 03	3
26	54605068000	EXHAUST BRACKET RUBBER BLACK	3
27	60035001000	SCREW RADIATOR BRACKET M6 03	2
28	41001052000	RUBBER SLEEVE D=12MM	2
29	54603048100	RANGE CHANGE METAL NUT M6	2
30	00050185706	VARIABLE ONE-EAR CLAMP 18,5MM	1
31	61011093000	WIRING HOLDER 05	x
33	61038084000	OIL RISING PIPE CPL. 05	1
34	0603082121	SEAL RING CU DIN7603- 8X12X1	4
35	58038030000	BANJO BOLT M8 X 1 DIN7643	2
36	60038059130	OIL TANK BREATHING HOSE R/S	1
37	00049160121	CLAMP STD DN16	5

05610380 / C066103800

* NEW PART

X AS REQUIRED

LUBRICATING SYSTEM

990 SUPERDUKE 2006

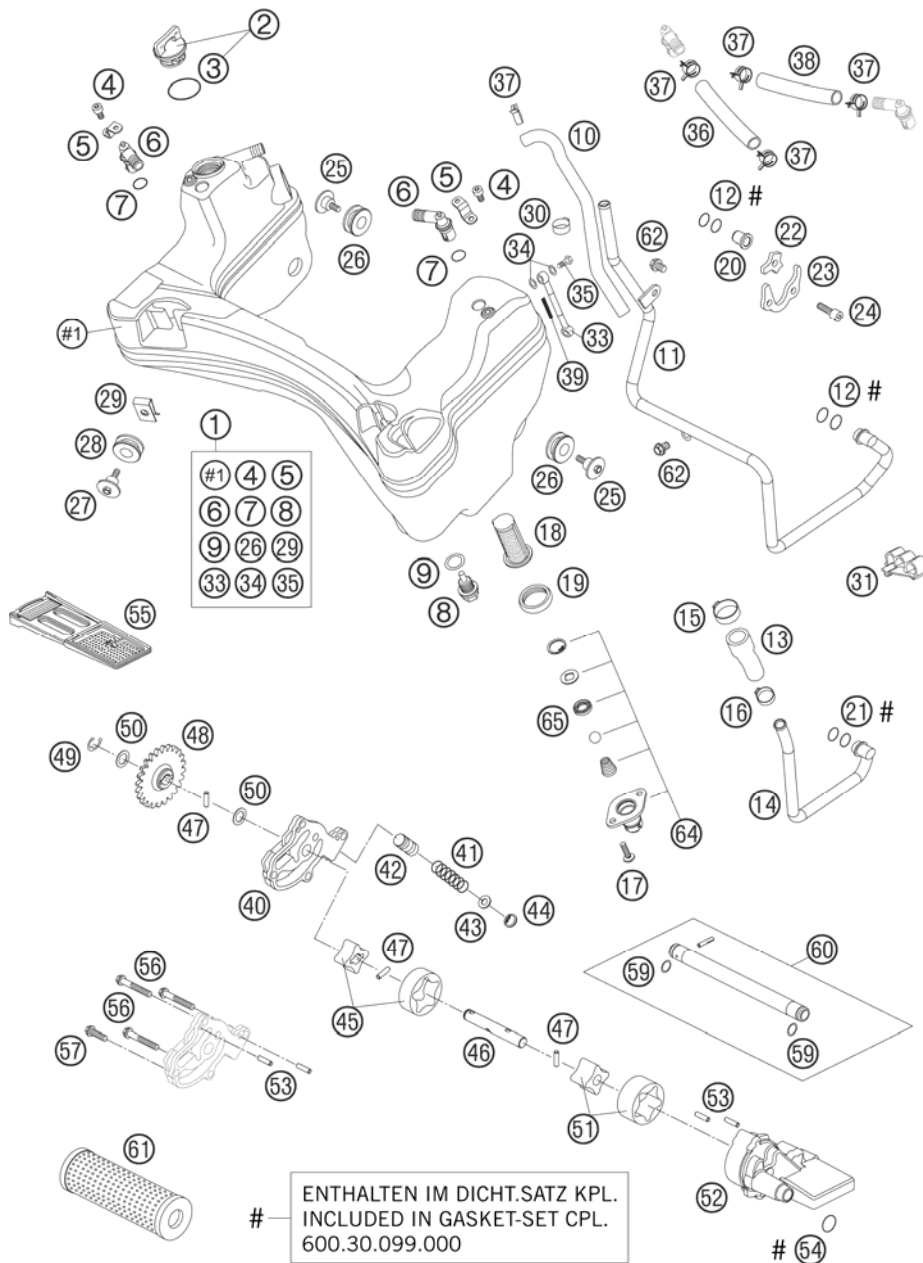


FIG	PART NUMBER	DESCRIPTION	QTY
38	60038059083	OIL TANK BREATHING HOSE L/S	1
39	61038085000	STICKER "OIL LEVEL" 05	1
40	60038010000	PRESSURE PUMP CASE 03	1
41	60038026000	CONTROL SPRING LC8 3,5 BAR	1
42	60038028000	CONTROL PISTON LC8 03	1
43	0988060121	WASHER 6X12X1 HRC 40-45	1
44	0472012010	CIRCLIP DIN0472 J12	1
45	60038011000	ROTOR-SET PRESSURE PUMP 03	1
46	60038002000	OIL PUMP SHAFT 03	1
47	0402041580	NEEDLE ROLLER NRB 4X15,8 G2	3
48	60038001024	OIL PUMP GEAR 24-T 03	1
49	0799080000	TAB WASHER DIN6799 RS8	1
50	60038007010	WASHER 10X16X0,5 03	2
51	60038009000	ROTOR-SET SUCTION PUMP 03	1
52	60038008000	SUCTION PUMP CASE 03	1
53	0402040980	NEEDLE ROL.DIN5402 NRB 4X9,8	4
54	0770133024	O-RING 13,3X2,4 VITON	1
55	60038016000	OIL SCREEN 03	1
56	0015060403	HH COLLAR SCREW M 6X40 WS=8	3
57	0015060203	HH COLLAR SCREW M 6X20 WS=8	1
59	0770010010	O-RING 10,00X1,00 NBR 70 SH	2
60	60030065100	OIL INJECTION TUBE GEAR 05	1
61	60038015000	OIL FILTER 03	1
62	0015060103	HH COLLAR SCREW M 6X10 WS=8	2
64*	60038060102	OIL TANK VALVE CPL.	1
65	0760101842	SHAFT SEAL R.10X18X4 B-VITON	1

05610380 / C066103800

* NEW PART

X AS REQUIRED

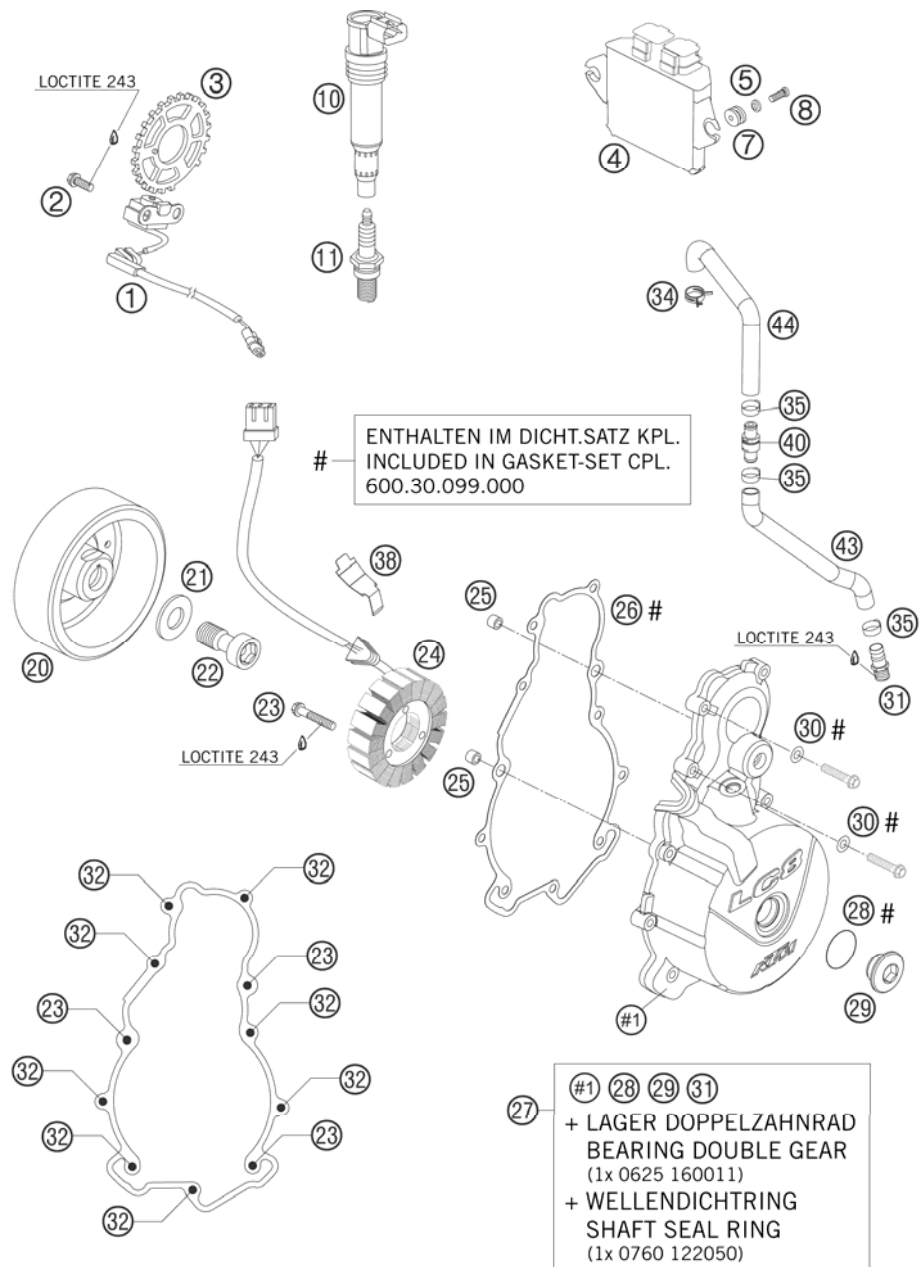


FIG	PART NUMBER	DESCRIPTION	QTY
1	60039034100	PULSE GENERATOR LC8 04	1
2	0015060163	HH COLLAR SCREW M 6X16 WS=8	2
3	61039020000	COIL SPROCKET 22Z O. CYL. PIN	1
4*	61041031100	TIMING CHARGER EFI 06	1
5	60008045000	SPECIAL WASHER D=16,5MM 03	2
7	60039030000	VIBRATION DAMPER DIGITALBOX 03	2
8	0012060123	AH SCREW DIN6912 M6X12	2
10	60039006000	STICK COIL 03	2
11	61039093000	SPARK PLUG M12X1,25 DCPR8E/M4	2
20	60039005100	IGNITION ROTOR 04 INCL. FREEWHEEL	1
21	60039040010	WASHER 17X32X4 03	1
22	60039003100	AH EXPAND. SCREW M16X1,5 05	1
23	0015060353	HH COLLAR SCREW M 6X35 WS=8	6
24	60039004000	STATOR 03	1
25	49030090000	DOWEL 9,8 X 7 X 10	2
26	60030040100	IGNIT.COVER GASK.MATRI.CS0,5MM	1
27	60030002044	IGNITION COVER CPL. 03	1
28	0770024025	O-RING 24X2,5 NBR	1
29	60030094000	SCREW PLUG M24X1,5 PA 6.6	1
30	0603061001	CU-SEAL RING DIN7603-6X10X1	2
31	60030022000	VENTILATION CONNECTOR M16X1,5	1
32	0015060303	HH COLLAR SCREW M 6X30 WS=8	8
34	00049220121	CLAMP STD DN22	1
35	00050226706	VARIABLE ONE-EAR CLAMP 22,6MM	3
38	60039040020	CABLE SUPPORT GENERATOR 03	1
40*	60030090300	BACK-PRESSURE VALVE CPL.	1
43	60030087101	ENGINE BREATHER HOSE BOTTOM	1
44	60030087102	ENGINE BREATHER HOSE TOP	1

05610390 / C066103900

* NEW PART

X AS REQUIRED

ELECTRIC STARTER

990 SUPERDUKE 2006

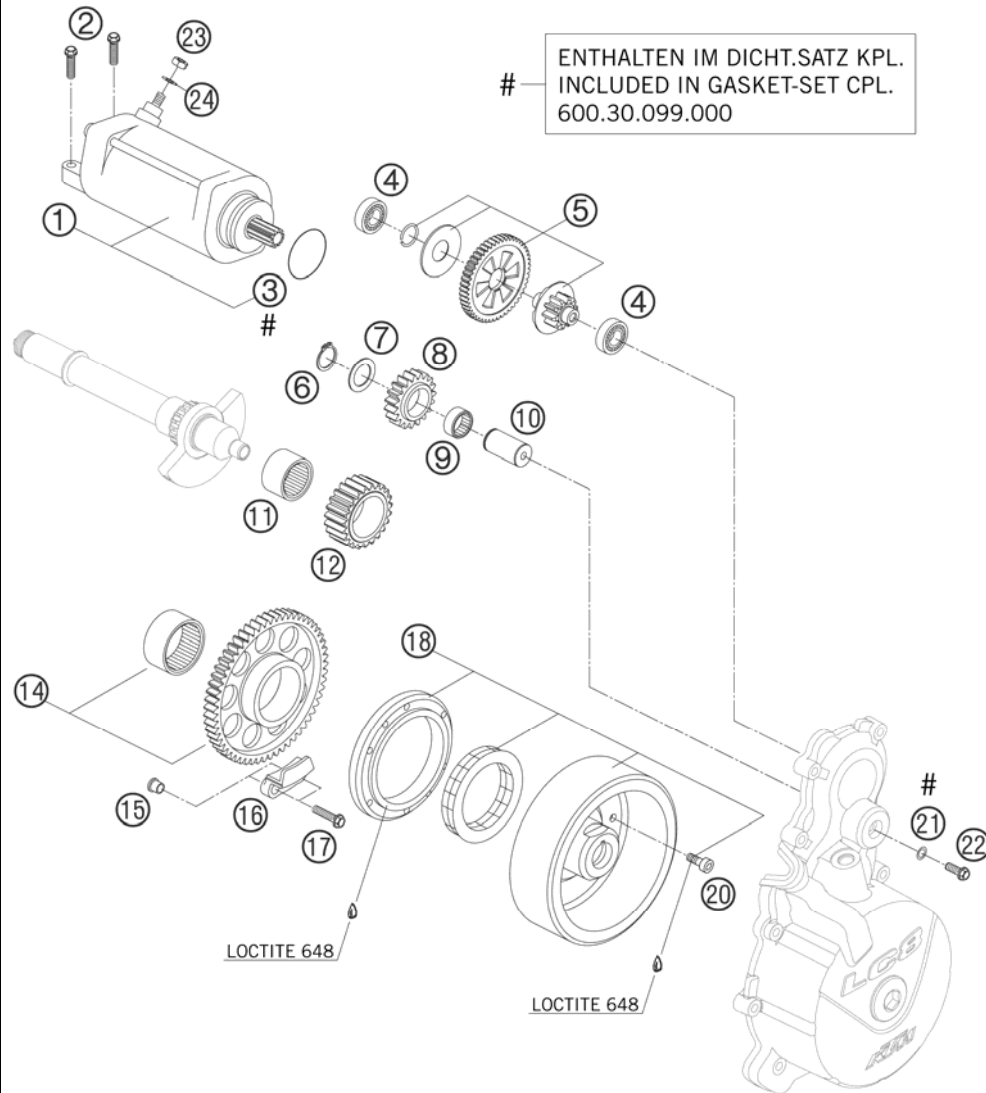


FIG	PART NUMBER	DESCRIPTION	QTY
1	60040001000	E-STARTER ENGINE CPL. LC8-E 03	1
2	0015060253	HH COLLAR SCREW M 6X25 WS=8	2
3	0770335030	O-RING 33,5X3 VITON	1
4	0625160011	GROOV.BALL BEAR. 16001 JRX C3	2
5	60040016000	TORQUE LIMITER 10/49-T CPL.	1
6	0471170010	CIRCLIP DIN0471-17X1	1
7	50333041000	STOP DISC 17,2X26X1 B	1
8	60040022119	IDLER GEAR 19-T 03	1
9	0405172110	NEEDLE BEARING K 17X21X10	1
10	60040023000	BEARING BOLT 17X33 03	1
11	0618253220	NEEDLE BUSH HK2520 25/32/20 02	1
12	60040022023	IDLER GEAR 2 23-T 03	1
14	60040020000	FREEWHEEL GEAR WH. 57-T CPL.03	1
15	60040027050	SUPPORTING SLEEVE 03	2
16	60040027000	FREEWHEEL HOLDER 03	1
17	0015060253	HH COLLAR SCREW M 6X25 WS=8	2
18	60039005100	IGNITION ROTOR 04 INCL. FREEWHEEL	1
20	0984060166	AH SCREW DIN6912 M6X16 10.9	6
21	0603061001	CU-SEAL RING DIN7603-6X10X1	1
22	0015060163	HH COLLAR SCREW M 6X16 WS=8	1
23	0985060003	SELF LOCK. NUT DIN0985-M 6	1
24	0125060003	WASHER DIN0125-A 6,4	1

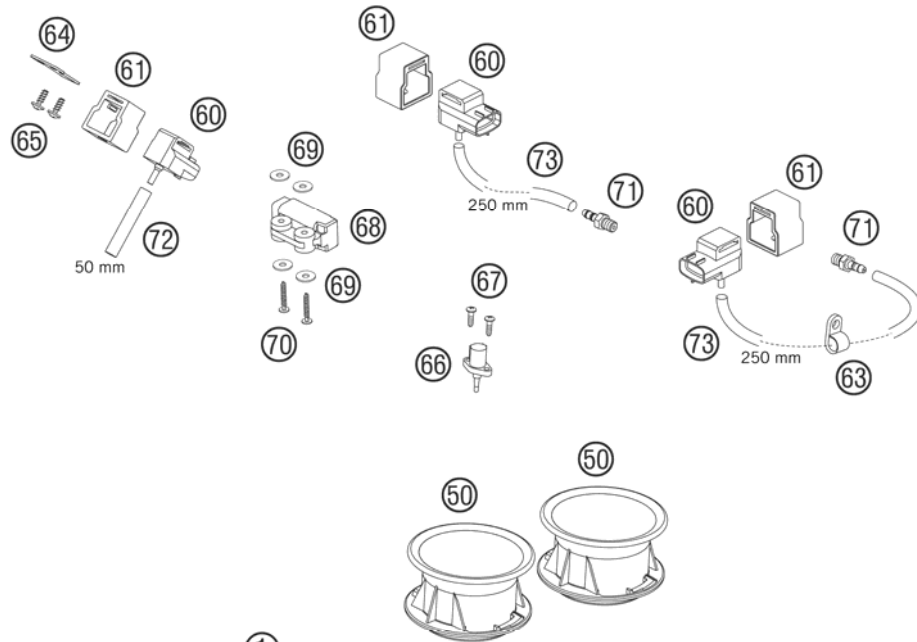
05600400 / C066104000

* NEW PART

X AS REQUIRED

THROTTLE BODY

990 SUPERDUKE 2006



1

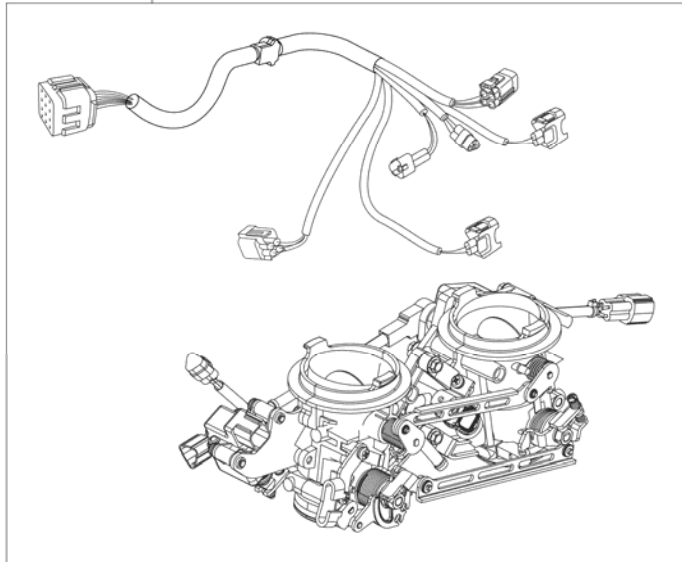


FIG	PART NUMBER	DESCRIPTION	QTY
1	61041001000	THROTTLE BODY CPL. 05	1
50	61041040000	INTAKE TRUMPET 05	2
60	61041085000	PRESSURE SENSOR 05	3
61	61041085050	RUBBER SUPPORT PRESSURE SENSOR 05	3
63	57013070100	PVC-CLAMP 7,9 MM HEYCO 3355	1
64	61041085060	SUPPORT PRESSURE SENSOR 05	1
65	0016050121	SCREW FOR PLASTIC D=5X12	2
66	61041080000	AMBIENT-AIR TEMPERATURE SENSOR	1
67	0081500181	SCREW FOR PLASTIC D=5X18	2
68	61041088000	ROLLOVER SENSOR 05	1
69	61041088050	SHIM 4,3X15X1,25MM GALVANIZED	4
70	0081400253	PLASTIC SCREW KA40X25WN1412	2
71*	61036023100	VACUUM CONECTION 2006	2
72	61041095050	HOSE 3,2X8,5 L=50 MM 05	1
73	61041095250	HOSE 3,2X8,5 L= 250 MM 05	2

05610410 / C066104100

* NEW PART

X AS REQUIRED