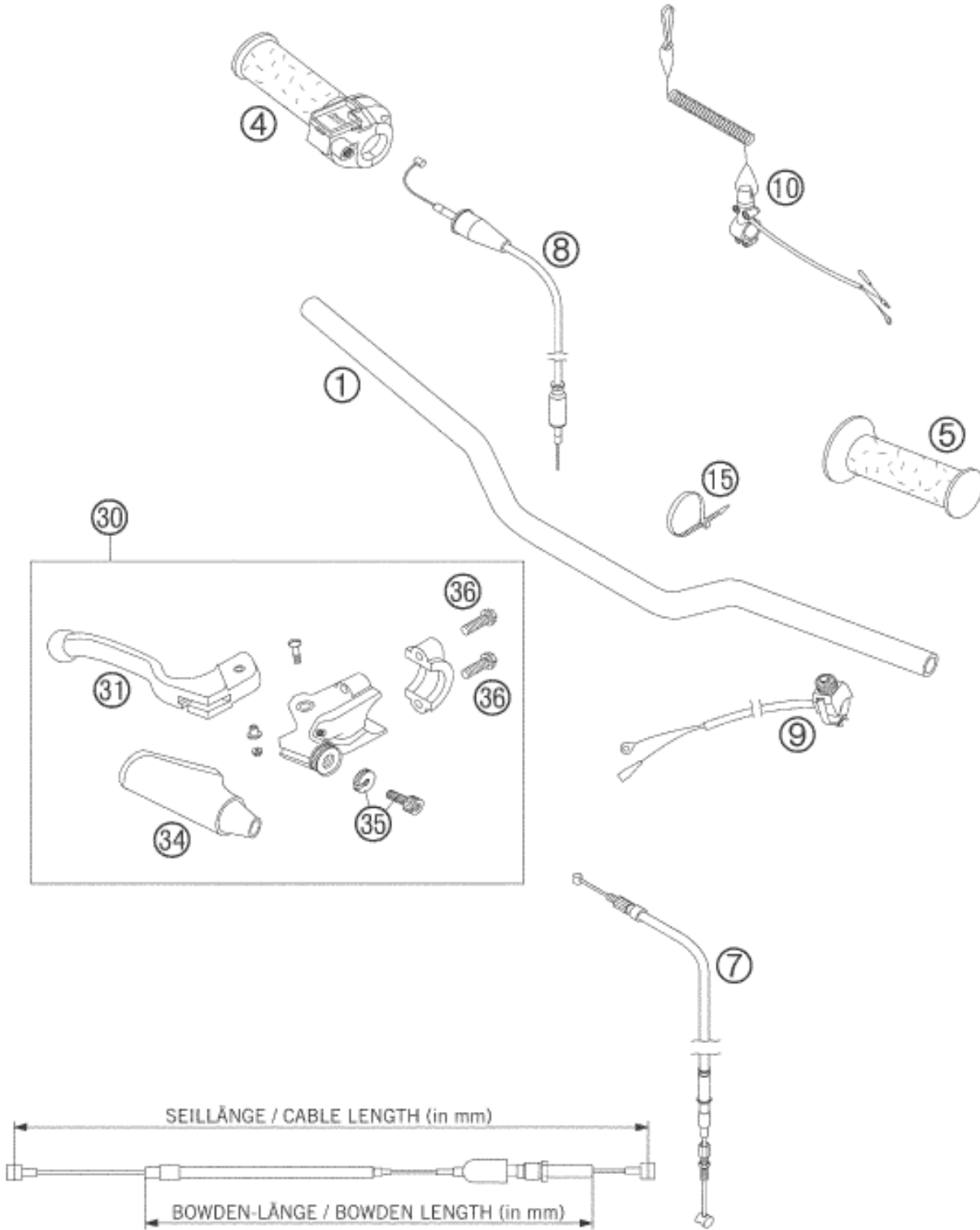
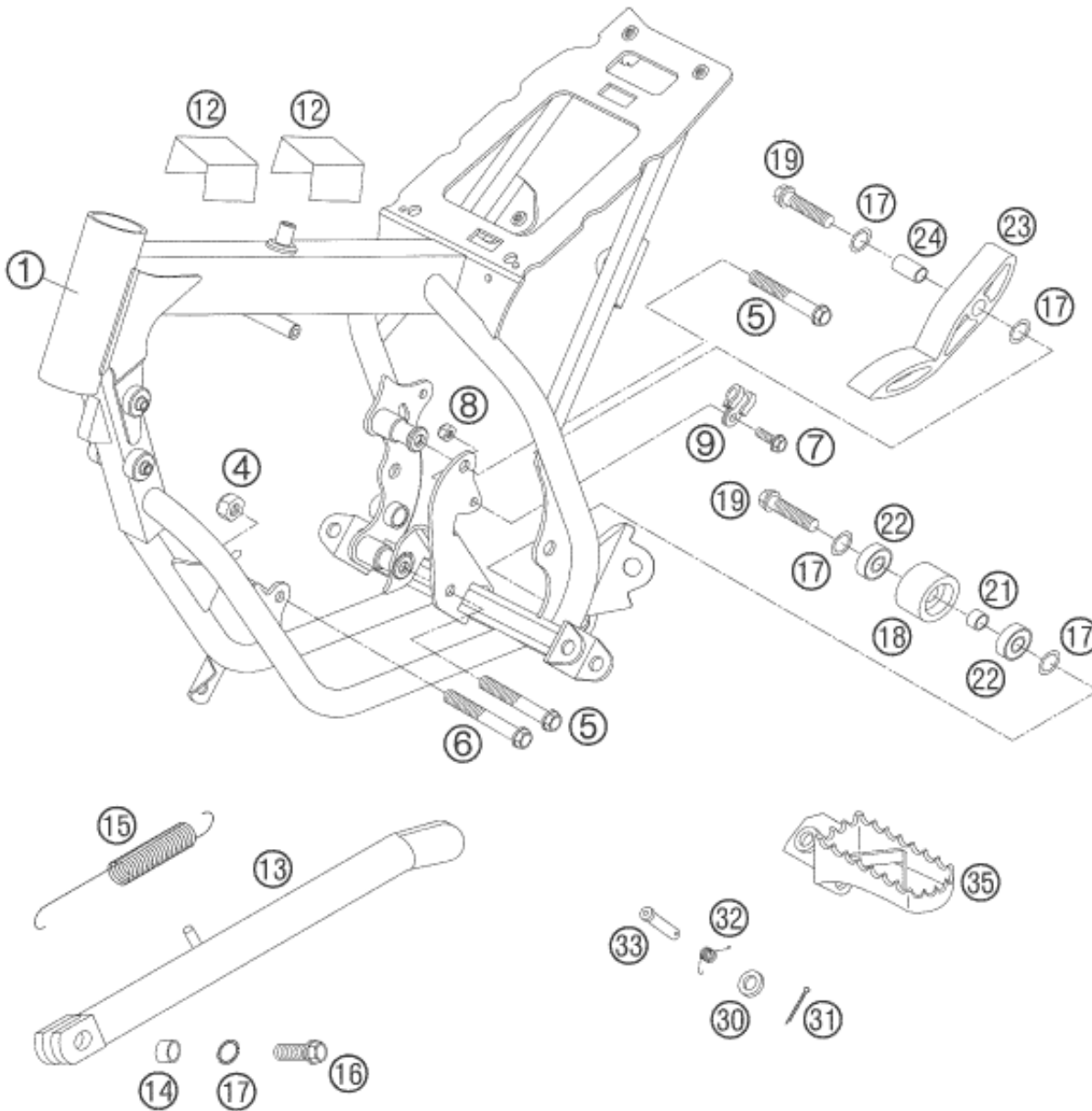


Pos	Item Number	Description	Qty
1	45101000044	FORK CPL. 50 ADV. MARZ. 2002	1
5	7501476A	TOP FORK PLATE	1
6	0912060253	AH SCREW DIN0912-M 6X25	0
6	0912080303	AH SCREW DIN0912-M 8X30	6
8	7504212AC	PLUG CAP	2
9	7528010	O-RING	2
11	7518031	PRE LOAD BUSH L=55MM 2002	2
12	75141169	SPRING 2N/MM	2
12	75141214	SPRING 2,5N/MM	0
13	7533297	DUST SEAL	2
14	7523264	STOP RING	2
15	7528230	OIL SEAL 32/42/6,5-9,5	2
16	7522166AA	WASHER D42X32,5X1,5	2
17*	7524157	PISTON RING D32 <i>ONLY FOR REBOUND DAMPING</i>	1
18	78031104	PISTON ROD COMPRESSION MINI 02 <i>COMPRESSION DAMP. - RIGHT SIDE</i>	1
18	78031105	PISTON ROD REBOUND MINI 02 <i>REBOUND DAMPING - LEFT SIDE</i>	1
19	75141015	REBOUND SPRING	2
20	75031538A/A	SLIDER LEFT SIDE 2002	1
21	75031538A/A/R	SLIDER LEFT SIDE CPL. 2002	1
22	7522225	WASHER 14X8X1,5	2
25	77051124	BOT. FORK PLATE CPL. MINI/JUN	1
26	7708247/R	FORK TUBE R/S MINI/JUN. 02	1
27	7708248/R	FORK TUBE L/S MINI/JUN. 02	1
28	7512068	FOOT BUFFER	2
29	75031366A/A	SLIDER RIGHT SIDE	1
31	75031366A/K/R	SLIDER CPL. RIGHT SIDE	1
34	50301036000	STEER.HEAD SCREW M20X1,5 WS=27	1
35	45101081100	% STEER.STEM B.CPL.50 SXR 2003	1
36	0015080303	HH COLLAR SCREW M 8X30 WS=10	4
37	0912100250	AH SCREW DIN6912-M10X25,10.9,L	2
38	50301038000	HANDLEBAR CLAMP D=22MM 2001	2
39	45101039000	HANDLEBAR SUPPORT D=22MM 2001	1
40	7547325	STICKER LEFT SIDE MARZOCCHI	1
40	7547331	STICKER RIGHT SIDE MARZOCCHI	1
41	0985050003	SELF LOCKING NUT DIN0985-M 5	1
42	45001070000	BRAKE CABLE CLAMP RSGU 9/12	1
43	0015050203	HH COLLAR SCREW M 5X20 WS=8	1
99	7550013	FORKOIL EBH16 SAE 7.5	1



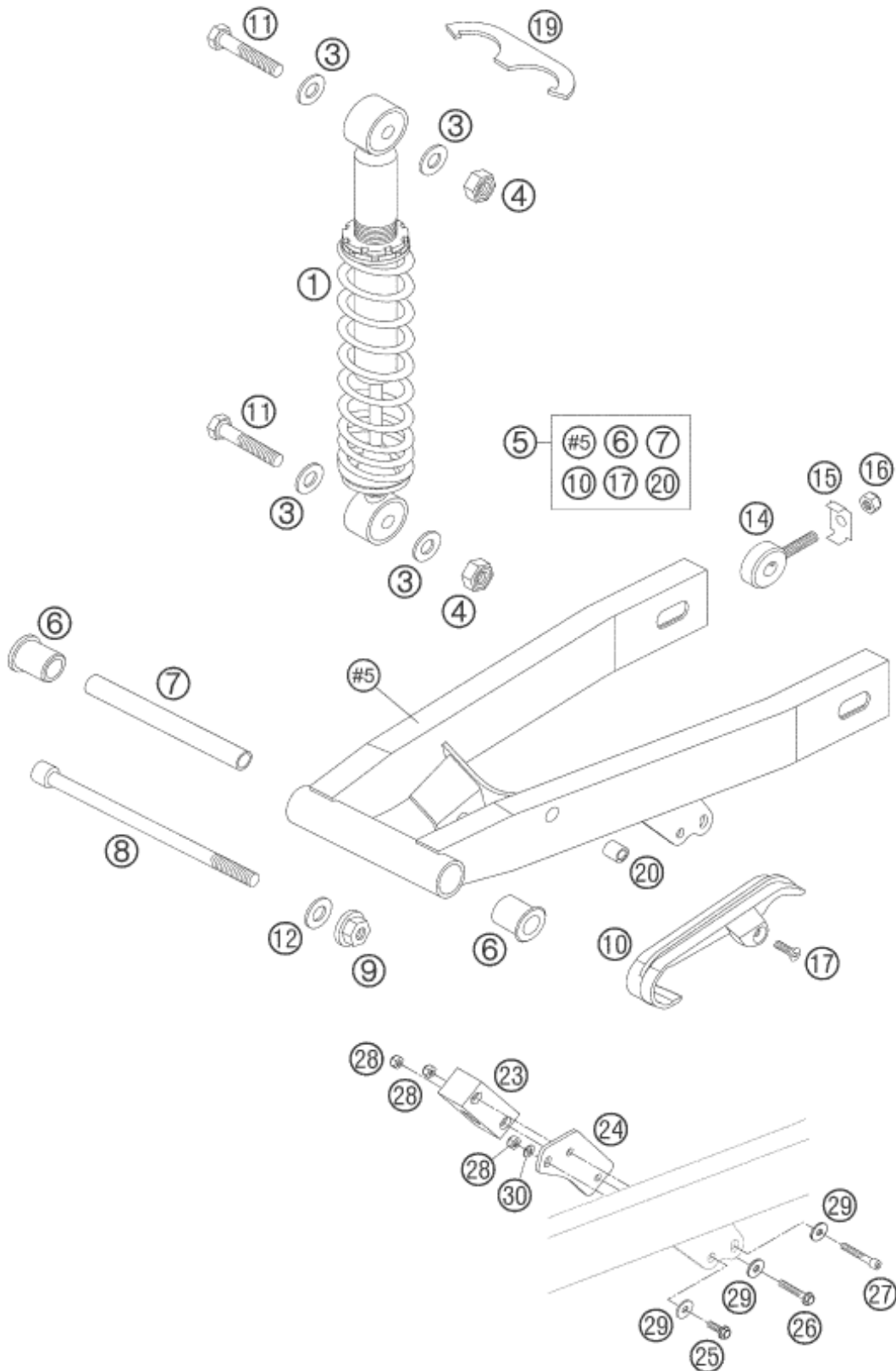
Pos	Item Number	Description	Qty
1*	45102001000	HANDLEBAR 50 AC+LC 2005	1

4	45002010000	TWIST GRIP CPL. 50 SXR	1
5	45002039000	% RUBBER GRIP	1
7	45113010000	BRAKE CABLE FRONT 898/772 01	1
7	45113070000	BRAKE CABLE REAR 1187/1052 01	1
7	45113070100	BRAKE CABLE REAR 1287/1152 01 <i>SENIOR ADV.</i>	1
8	45102091100	THROTTLE CABLE JUN.762/644 02	1
9	50311089200	SHORT CIRCUIT BUTTON 02	1
10	45011089044	S.CIRCUIT BUTTON W. RIP CORD	0
15	44011076100	CABLE TIE 100/2,5MM BLACK	0
15	44011076200	CABLE TIE 200/3,6MM BLACK	0
30	45113001044	HAND BRAKE LEVER CPL. R/S 2001 <i>MINI ADV.</i>	1
30	46002040100	CLUTCH LEVER CPL. 60/65 SX '99 <i>HAND BRAKE LEVER L/S</i>	1
31	45113042000	HAND BRAKE LEVER LOOSE 2001	1
31	46002042100	CLUTCH LEVER LOOSE 60/65SX '99 <i>HAND BRAKE LEVER L/S</i>	1
34	46002048000	PLASTIC CAP FOR CLUTCH LEVER	0
34	46002048000	PLASTIC CAP FOR CLUTCH LEVER	2
35	46002043100	ADJUST SCREW CLUTCH LEVER 2000	0
35	46002043100	ADJUST SCREW CLUTCH LEVER 2000	2
36	0015060203	HH COLLAR SCREW M 6X20 WS=8	0
36	0015060203	HH COLLAR SCREW M 6X20 WS=8	4



Pos	Item Number	Description	Qty
1	45103001500	FRAME ADVENTURE GS "MF3R" 03	1
4	54310086200	SELF LOCKING NUT M8 10.9	1
5	0015080603	HH COLLAR SCREW M 8X60 WS=10	2
6	0015080653	HH COLLAR SCREW M 8X65 WS=10	1
7	0015050123	HH COLLAR SCREW M 5X12 WS=8	1
8	0985050003	SELF LOCKING NUT DIN0985-M 5	1
9	45001070000	BRAKE CABLE CLAMP RSGU 9/12	1
12	58711054050	METAMOLL FOR BATTERY BRACKET	2
13	4510302310090	SIDE STAND L=270MM SILVER 02	1

14	45103023250	BUSHING FOR SIDE STAND 02	1
15	51003021000	SIDESTAND SPRING LONG	1
16	0015080203	HH COLLAR SCREW M 8X20 WS=10	1
17	36003014000	LOCK WASHER 8MM	5
18	50203053000	CHAIN ROLL D=30MM	1
19	0015080303	HH COLLAR SCREW M 8X30 WS=10	2
21	74003021000	BUSHING 8.2 X 12 X 6	1
22	0625006087	GROOVED BALL BEAR. 608 2RS C3	2
23	51103053000	CHAIN SLIDING PIECE BELOW '97	1
24	51103053051	BUSHING 8,2X10X20	1
30	0125100003	WASHER DIN0125-A10,5	2
31	0094032253	PIN DIN0094-3,2X25 STEEL	2
32	54603041000	FOOTREST SPRING L/S & R/S	2
33	54803044000	BOLT FOR FOOT PED 03	2
35	5460304000090	FOOT REST L/S SILVER	1
35	5460314000090	FOOT REST R/S SILVER '98	1

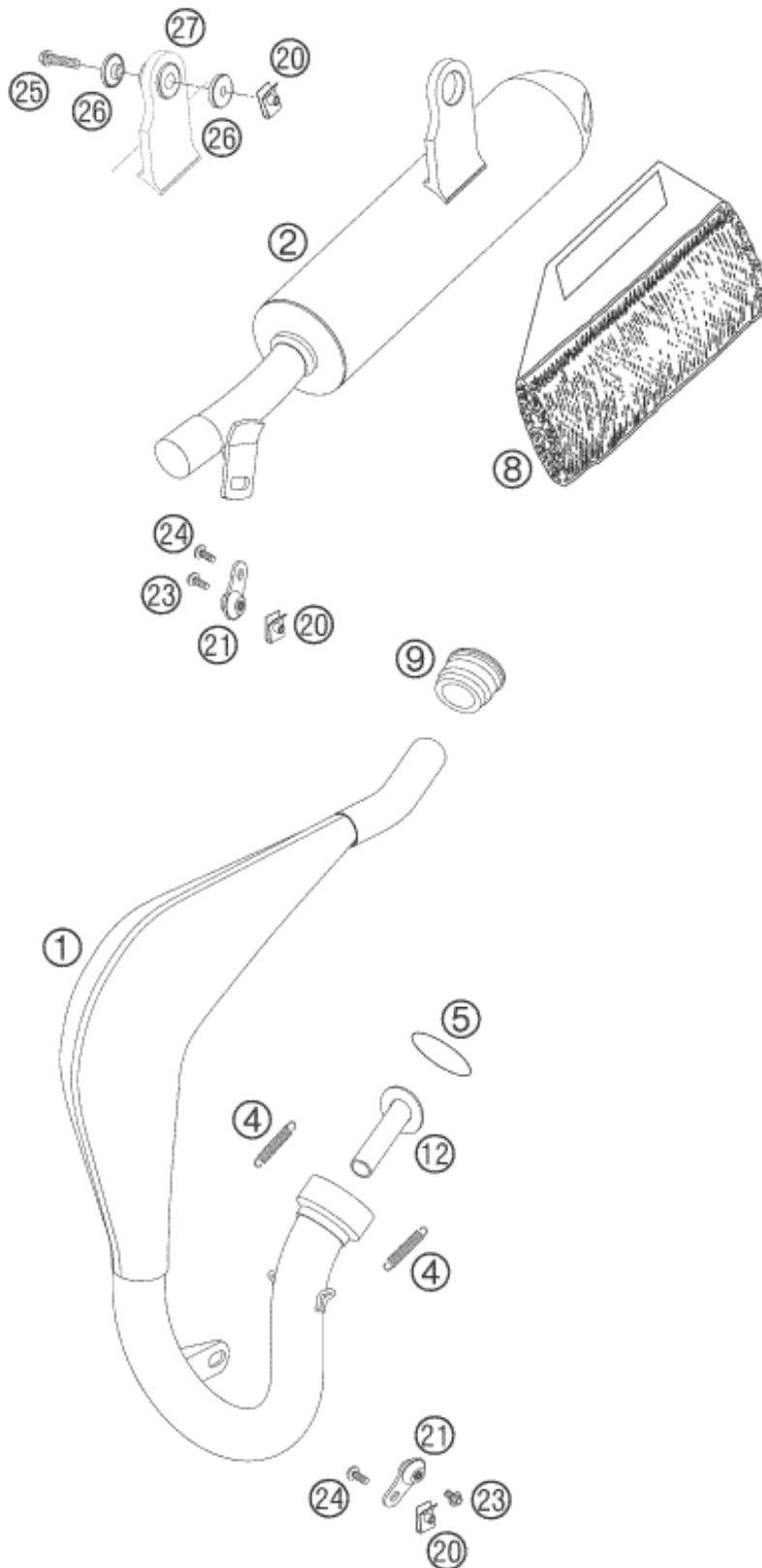


Pos	Item Number	Description	Qty
1*	45104010700	SHOCK ABSORB.ADV GS L=245MM 05	1
3	0125100003	WASHER DIN0125-A10,5	4
4	0982100003	SELF LOCK.NUT DIN0982-M10 HIGH	2
5	45104030044	SWINGARM CPL. JUN. ADV.+LC 02	1
6	45004031000	BUSHING BOX L=30 MM	2
7	45004039000	SPACING TUBE 10X13X140 MM	1
8	45103014000	SWING ARM BOLT M10X158,5 02	1
9	49009082000	SELF LOCKING NUT M10 FK8	1
10	45104066000	CHAIN SLID. GUARD FRO. MINI 02	1
11	0931100453	HH SCREW DIN0931-M10X45	2
12	31004001100	WASHER 10,5 X 21 X 3	1
14	45010083000	CHAIN ADJUSTER	2
15	45010083060	SUPPORTING BRACKET	2
16	0985080003	SELF LOCKING NUT DIN0985-M 8	2
17	0991060203	FLAT H.SCREW DIN7991-M6X20 8.8	1
19	45004010090	HOOK WRENCH 50 SXR	1
20	55003139900	BLIND RIVET THREAD M6 STE. 4MM	1
23	45004070000	CHAIN GUIDE REAR	1
24	45104170000	BRACKET FOR CHAIN GUARD 02	1
25	0015050163	HH COLLAR SCREW M 5X16 WS=8	1
26	0015050303	HH COLLAR SCREW M 5X30 WS=8	1
27	0912050353	AH SCREW DIN912 M5X35	1
28	0985050003	SELF LOCKING NUT DIN0985-M 5	3
29	0021050003	WASHER DIN9021-A 5,3	3
30	0125050003	WASHER DIN0125-A 5,3	1

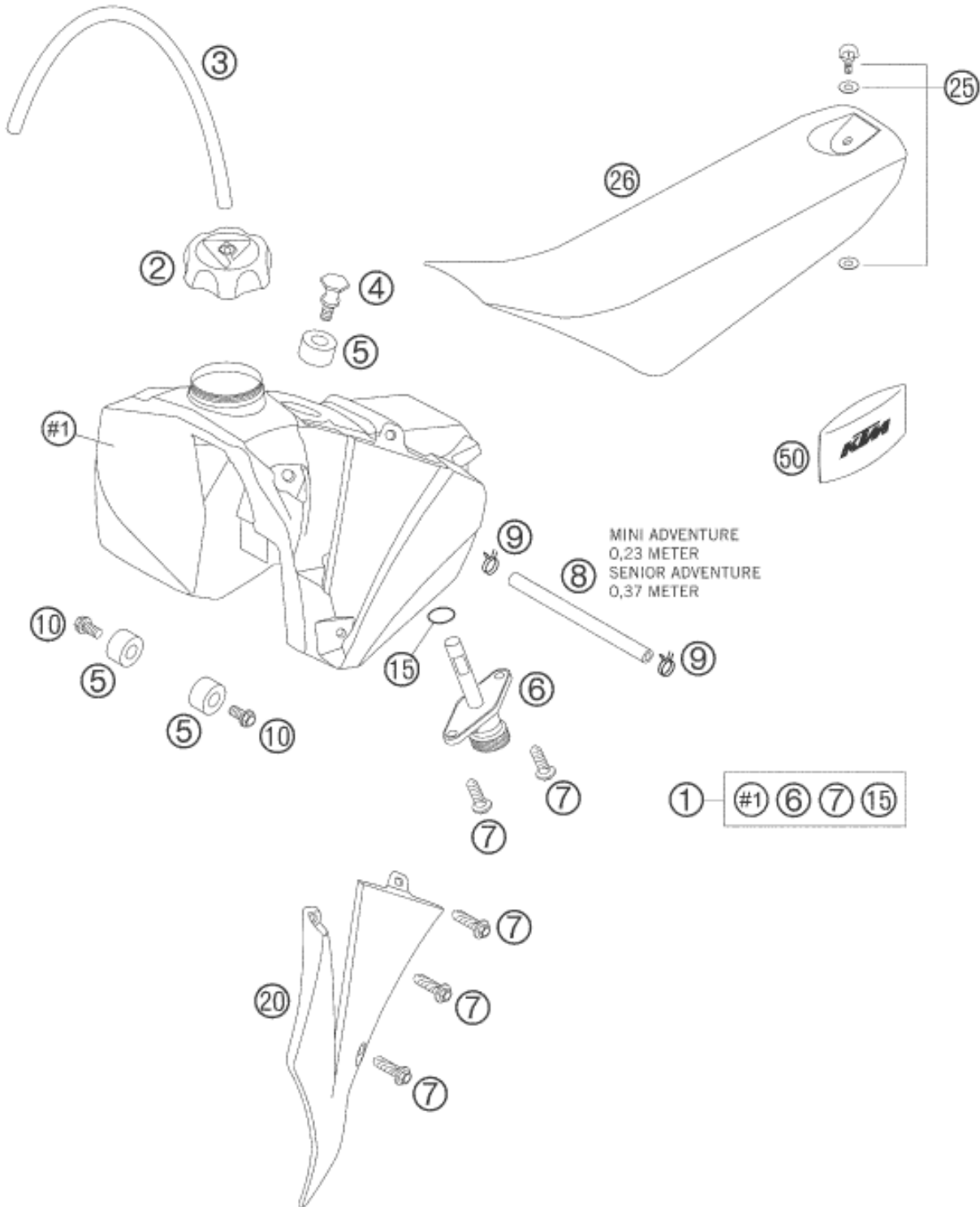




2005 / 50 MINI ADVENTURE  
EXHAUST SYSTEM MINI ADVENTURE  
6001E5 > C04450050 > 05450050.gif

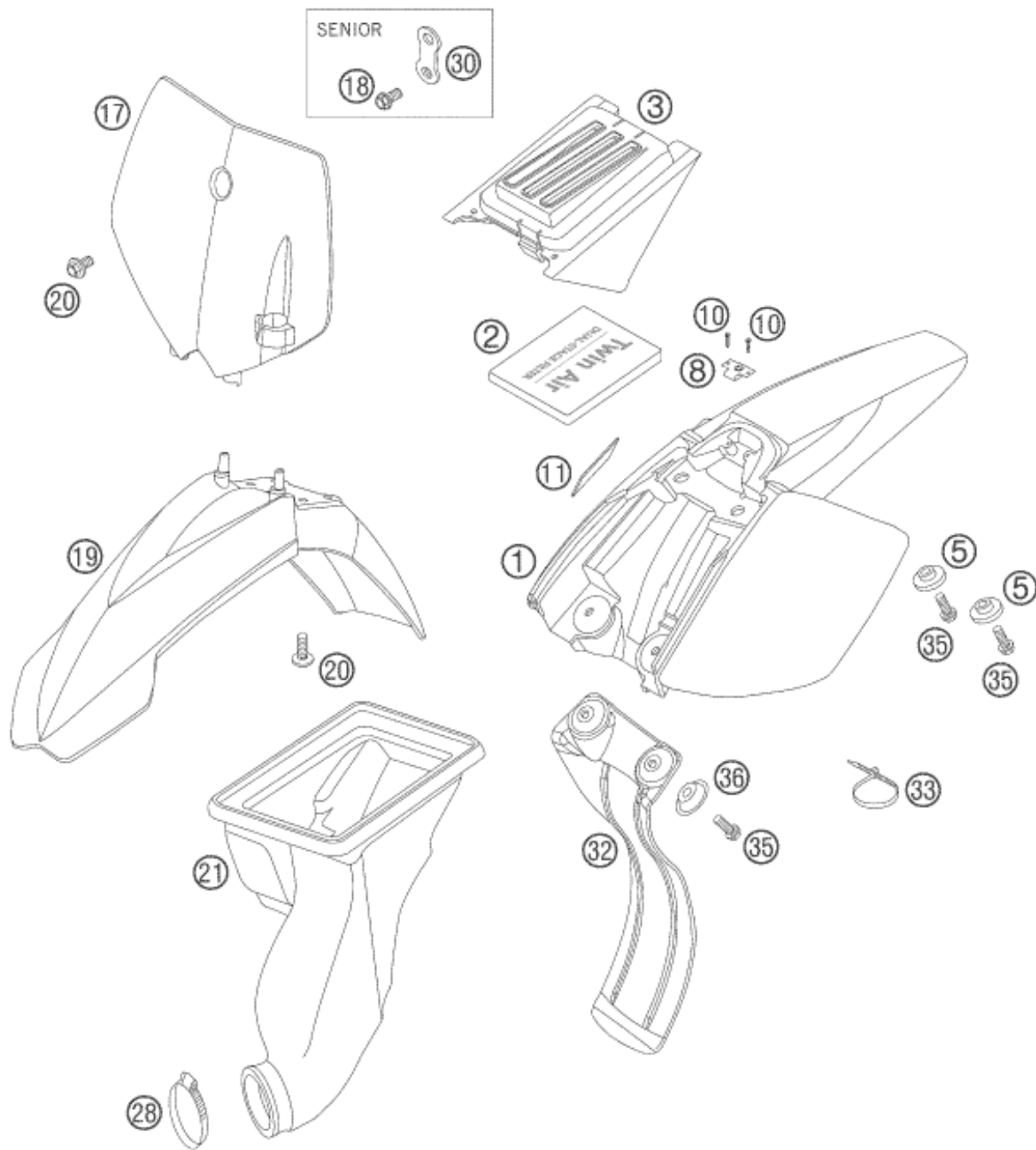


Pos	Item Number	Description	Qty
1	45105008000	EXHAUST PIPE 50 ADVENTURE 2002	1
2	45105079000	% SILENCER SX SENIOR 2001 <i>SENIOR ADV.</i>	1
2	45105079100	% SILENCER SX JUNIOR 2002	1
4	50305016000	TEN.SPRING L=62MM EY.MOVEABLE	2
5	0770320030	O-RING 32,00X3,00 VITON	1
8	45105079056	ROCKWOOL PREFOMED 50 2002 <i>110 GRAMM TOTAL WEIGHT</i>	1
9	45105057000	EXHAUST RUBBER MINI 2002	1
12	45105083000	EXHAUST THROTTLE CPL. MINI 02	1
20	54603048100	RANGE CHANGE METAL NUT M6	3
21	50305012000	SWINGELEMENT FOR EXHAUST PIPE	2
23	0015060123	HH COLLAR SCREW M 6X12 WS=8	2
24	0014060153	HH COLLAR SCREW M 6X15 WS=8	2
25	0015060303	HH COLLAR SCREW M 6X30 SW=8	1
26	54605069000	BUSHING 7,5X12X28X7,8 '96	2
27	54605068000	EXHAUST BRACKET RUBBER BLACK	1



Pos	Item Number	Description	Qty
1	4510711300004	FUEL TANK 50 MINI AC 2003	1

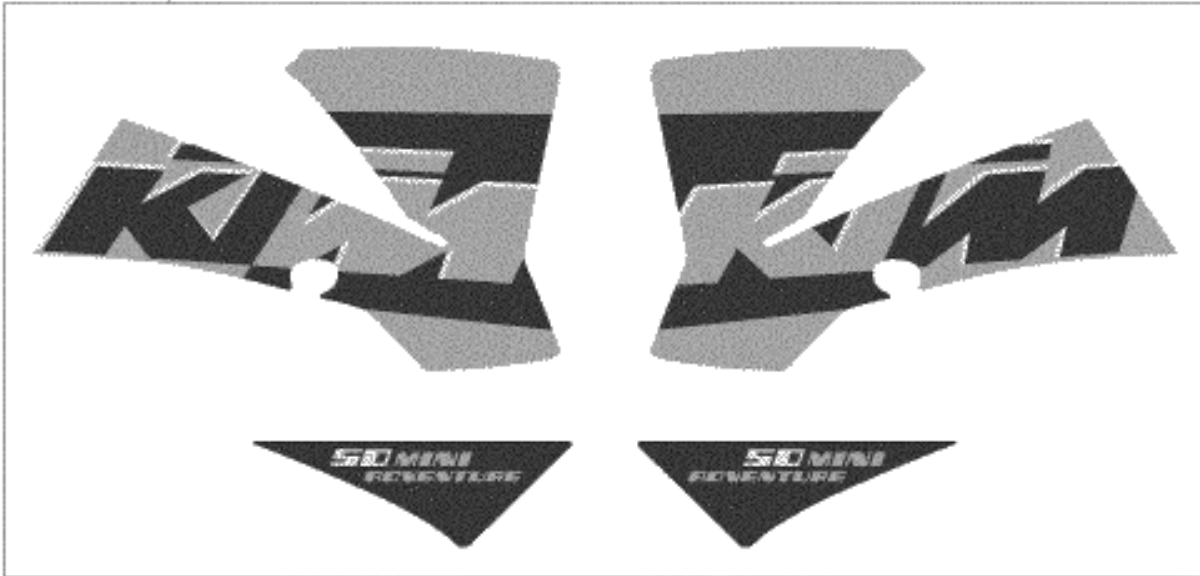
2	49007008044	FILLER CAP CPL. SMALL	1
3	31007107001	PVC-HOSE 6X9 MM PER METER	0
4	45107011000	TANK SCREW MINI 50 2001	1
5	50307014000	TANK ROLLER 12X26X12 '98	3
6	58507003000	FUEL COCK CPL. SMALL RALLYE'96	1
7	0017060203	EJOT PT SCREW K60X20 WS=6	8
8	58307016001	FUEL HOSE VITON 6X1,5 PER/M	0
9	45031005000	YDNAC-CLAMP FUEL HOSE (8MM)	2
10	0015060123	HH COLLAR SCREW M 6X12 WS=8	2
15	55007006200	O-RING 11X1,8 NBR 70	1
15*	55007006200	O-RING 11X1,8 NBR 70	1
20	4510805000004	SPOILER LEFT SX JUN/SEN 2001	1
20	4510805100004	SPOILER RIGHT SX JUN/SEN 2001	1
25	45007040051	QUICK RELEASE CPL. 50 SXR '97	1
26*	45107040600	SEAT MINI ADV. LOW 2005 <i>MINI ADVENTURE</i>	1
50	45029099000	TOOL SET 50 MINI, 60/65 SX	1



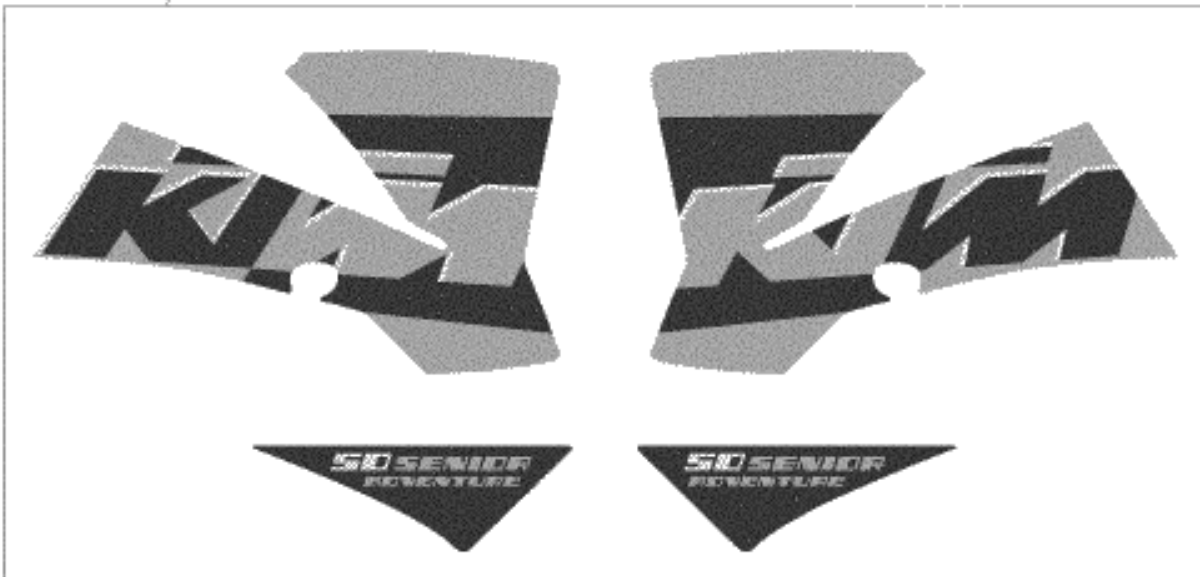
Pos	Item Number	Description	Qty
1	4510801300004	REAR PART 50 MINI ORANGE 2003	1
2	45106015000	AIR FILTER 134X96X15MM 01	1
3	45106012000	FILTER COVER JUN/SEN 2001	1
5	45108013050	BUSH F.REAR P. SX JUN/SEN 2001	2
8	45007040050	QUICK RELEASE LATCHPLATE	1

10	0981350163	SHEET MET.SCR.DIN7981- 3,5X16	2
11*	59003001099	METAMOLL 90X45X3MM 03	1
17	4510800700004	NUMBER PLATE SX JUN/SEN 2001	1
18	0015060103	HH COLLAR SCREW M 6X10 WS=8	1
19	4510801000004	FENDER FRONT SX JUN/SEN 2001	1
20	0014060103	HH COLLAR SCREW M 6X10 WS=8	5
21	45106026000	CARBUR.CONNEC.BOOT SXR JUN. 02 <i>MINI ADV.</i>	1
21	45106026100	CARBUR.CONNEC.BOOT SXR SEN. 01 <i>SENIOR ADV.</i>	1
28	54305058000	HOSE CLAMP 30-45 SGT	1
30	45108007050	BRACKET FOR NUMBER PLATE	1
32	45106010000	SPLASH PROTECTOR JUNIOR 2002 <i>MINI ADV.</i>	1
33	44011076305	CABLE TIE 300/4,8MM BLACK	2
35	0015060163	HH COLLAR SCREW M 6X16 WS=8	4
36	72210079000	BUCKET	2

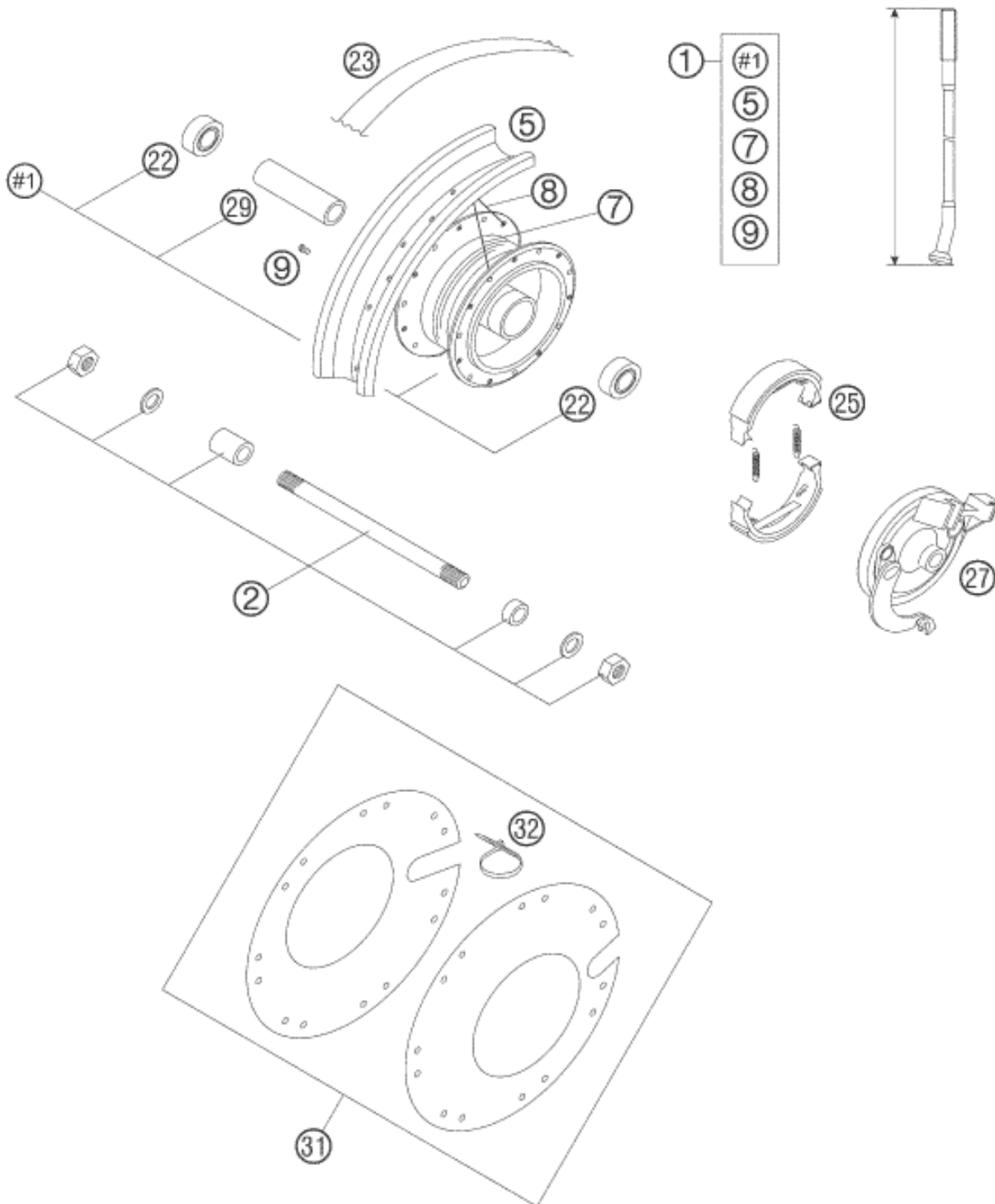
①



②



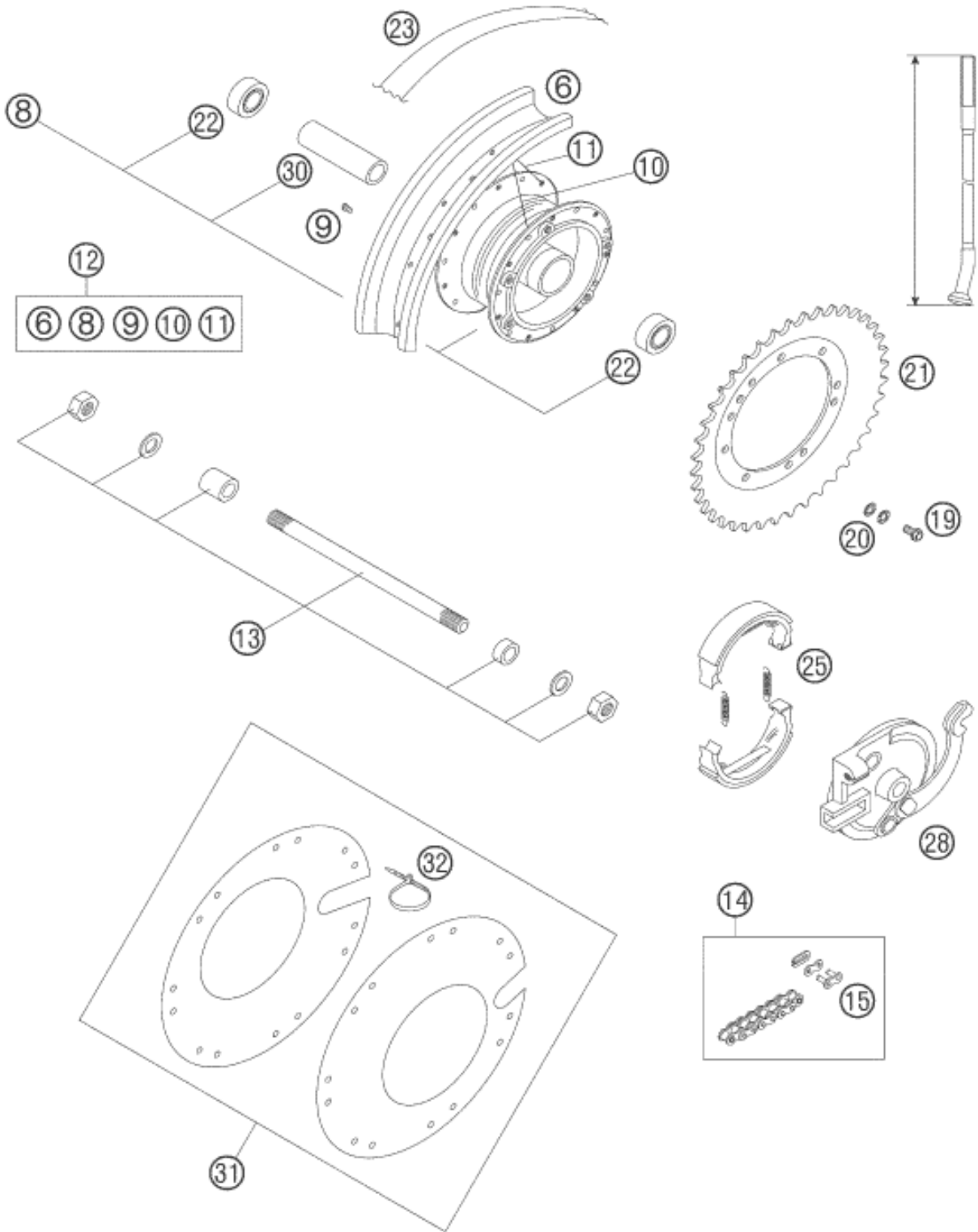
Pos	Item Number	Description	Qty
1*	45108199400	DECAL SET CPL. 50 MINI ADV. 05	1
2*	45108199500	DECAL SET CPL. 50 SEN. ADV. 05	1



Pos	Item Number	Description	Qty
1	45109001344	FRONT WHEEL CPL.1,5X10" STEEL	1
2	45009081000	AXLE FRONT CPL. L=202MM	1

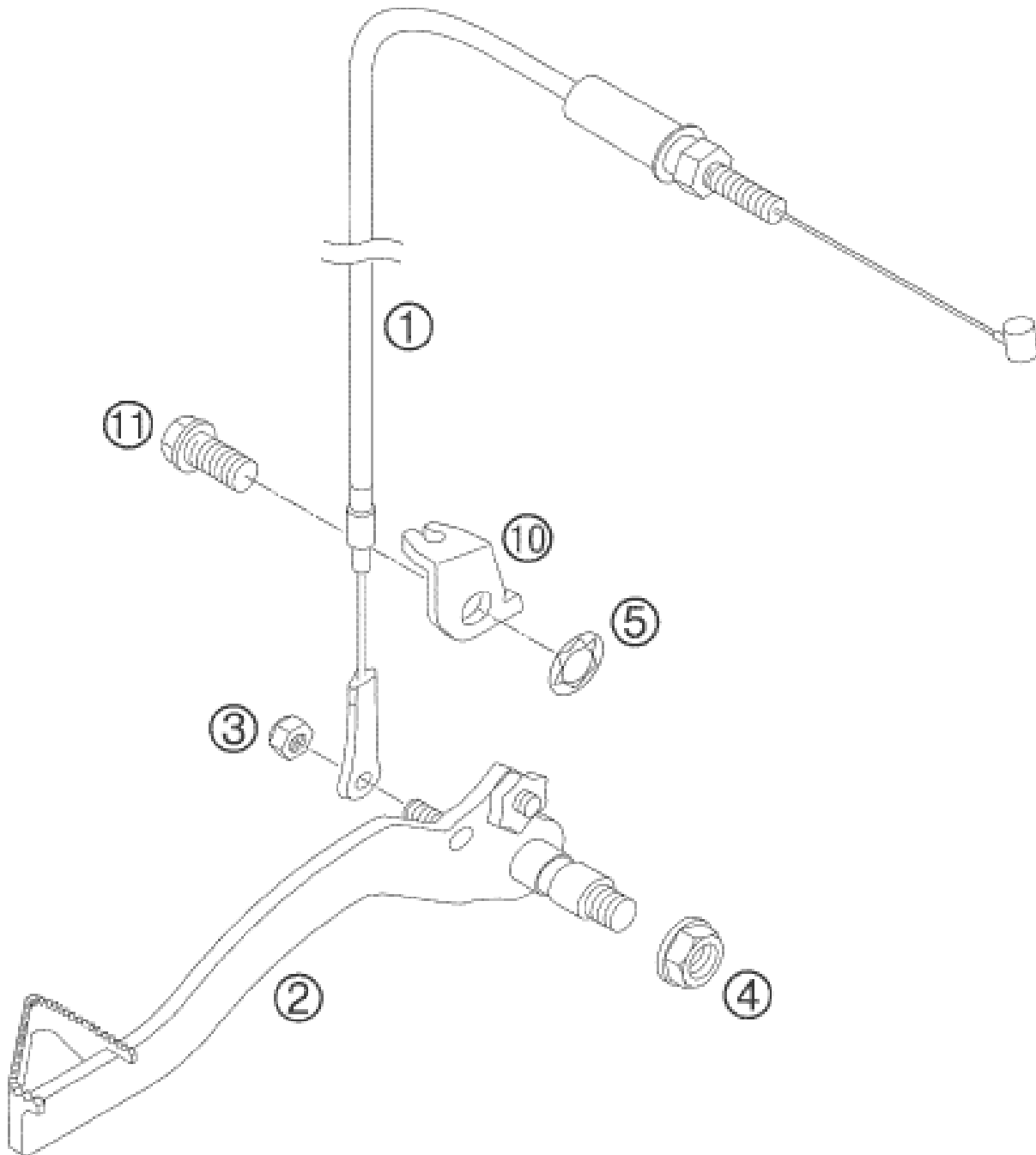
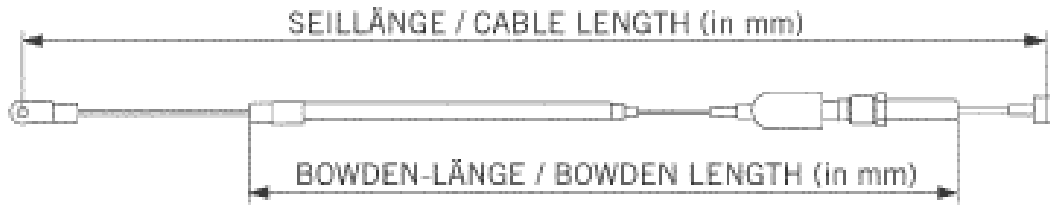


5	45009070000	% RIM 1,50X10" STEEL	2
7	45009071200	SPOKE 3X70X3,5MM-95°	14
8*	45009171200	SPOKE 3X69X4,5MM-80°	14
9	45109072000	SPOKE NIPPLE 3MM	28
22	0625060016	GROOV.BALL BEAR. 6001.2RSR C3	2
23*	45009073000	RIM BAND 10" 22MM	1
25	45009035000	BRAKE SHOES GARN.	1
27	45009030000	SUPPORTING PLATE CPL. FRONT	1
29	45009011000	DISTANCE TUBE FRONT	1
31	45110092000	WHEEL COVER CPL. 50SX LC 03	1
32	44011076305	CABLE TIE 300/4,8MM BLACK	7

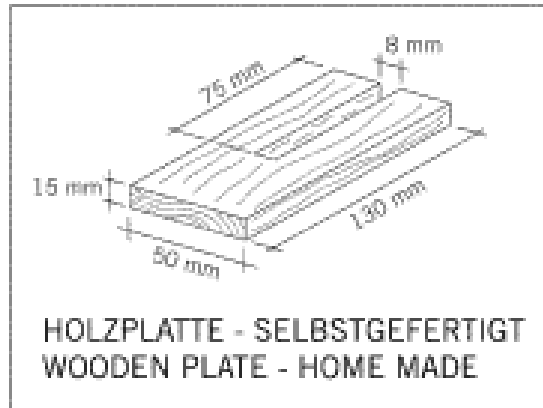
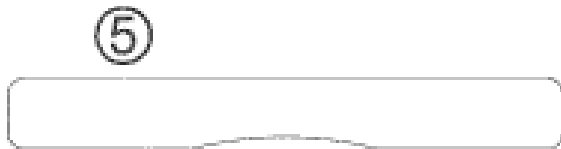
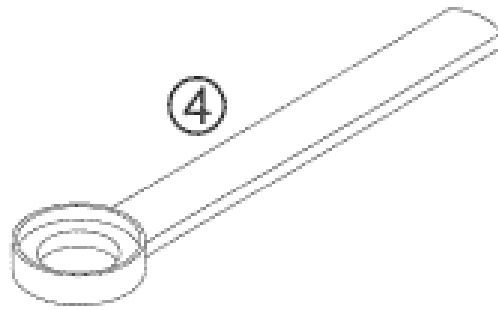
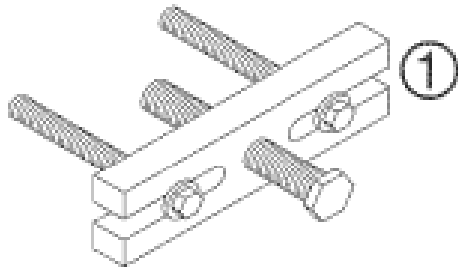


Pos	Item Number	Description	Qty
-----	-------------	-------------	-----

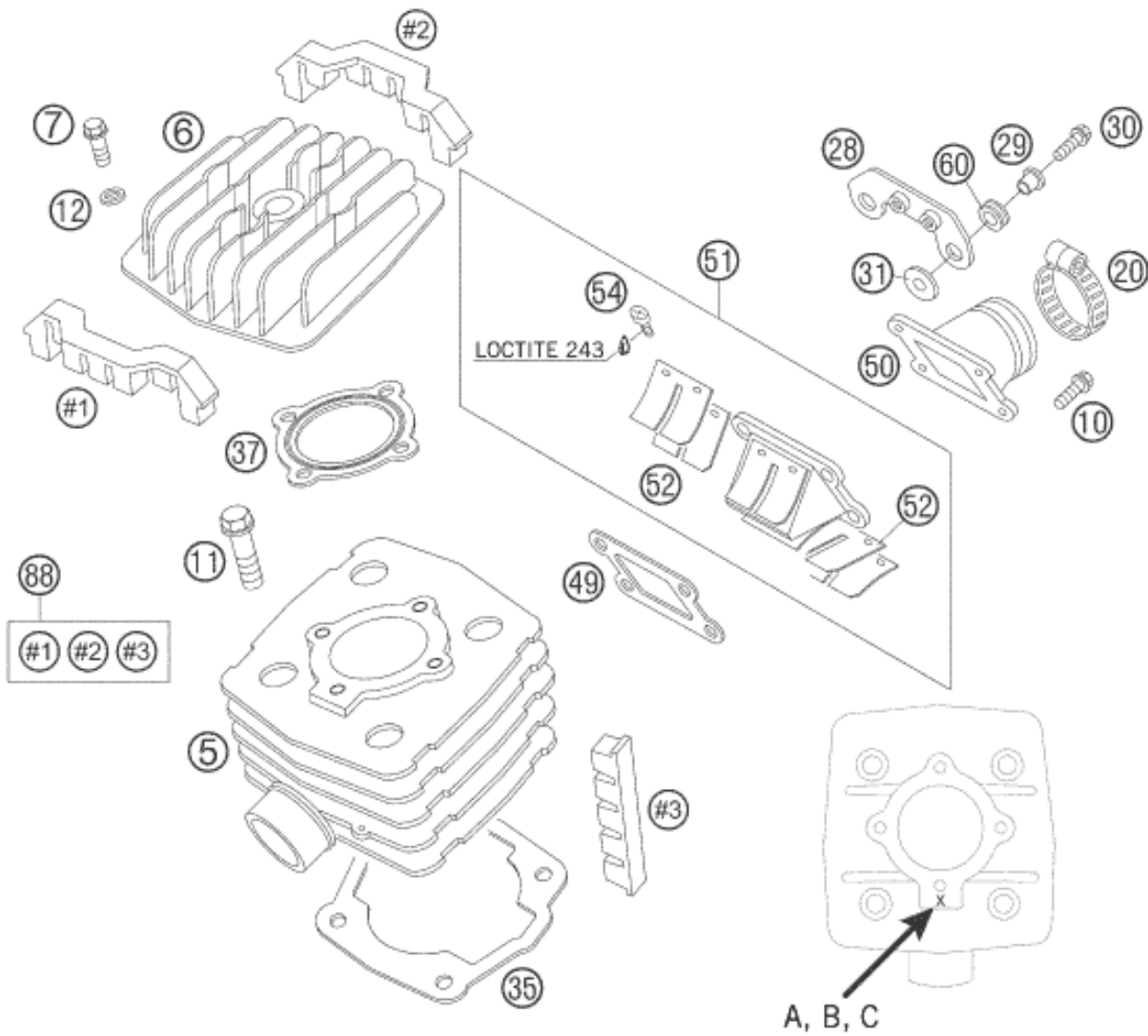
6	45009070000	% RIM 1,50X10" STEEL	1
8	45110010044	REAR WHEEL HUB CPL. 2003	1
9	45109072000	SPOKE NIPPLE 3MM	28
10	45010071200	SPOKE 3X72X4,2MM-100°	14
11	45010171200	SPOKE 3X72X5MM-65°	14
12	45110001244	REAR WHEEL-SP CPL.1,5X10"STEEL	1
13	45010081000	AXLE REAR CPL. L=210MM	1
14	45110165104	CHAIN 1/2X3/16" WITH M.LINK 104 ROLLS	1
15	45110166000	CONNECTING LINK 50 SX	1
19	0015060163	HH COLLAR SCREW M 6X16 WS=8	5
20	50233041000	PAIR OF WASHERS M 6 NORDLOCK	5
21	45010051044	SPROCKET 44-T	0
21	45010051045	SPROCKET 45-T	0
21	45010051046	SPROCKET 46-T	0
21	45010051048	SPROCKET 48-T	1
22	0625060016	GROOV.BALL BEAR. 6001.2RSR C3	2
23*	45009073000	RIM BAND 10" 22MM	1
25	45009035000	BRAKE SHOES GARN.	1
28	45010030000	SUPPORTING PLATE CPL. REAR	1
30	45010011000	DISTANCE TUBE REAR	1
31	45110092000	WHEEL COVER CPL. 50SX LC 03	1
32	44011076305	CABLE TIE 300/4,8MM BLACK	7



<b>Pos</b>	<b>Item Number</b>	<b>Description</b>	<b>Qty</b>
1	45113070200	FOOT BRAKE CABLE REAR 810/660 <i>SENIOR ADV.</i>	1
1	45113070300	FOOT BRAKE CABLE REAR 720/570	1
2	45113050044	FOOT BRAKE LEVER CPL. 2001	1
3	0985050003	SELF LOCKING NUT DIN0985-M 5	1
4	54310086200	SELF LOCKING NUT M8 10.9	1
5	0797080003	TOOTHLOCK WASHER DIN6797-J 8,4	1
10	45113052000	BRAKE THRUST BEARING MINI 2001	1
11	0015080163	HH COLLAR SCREW M 8X16 WS=10	1



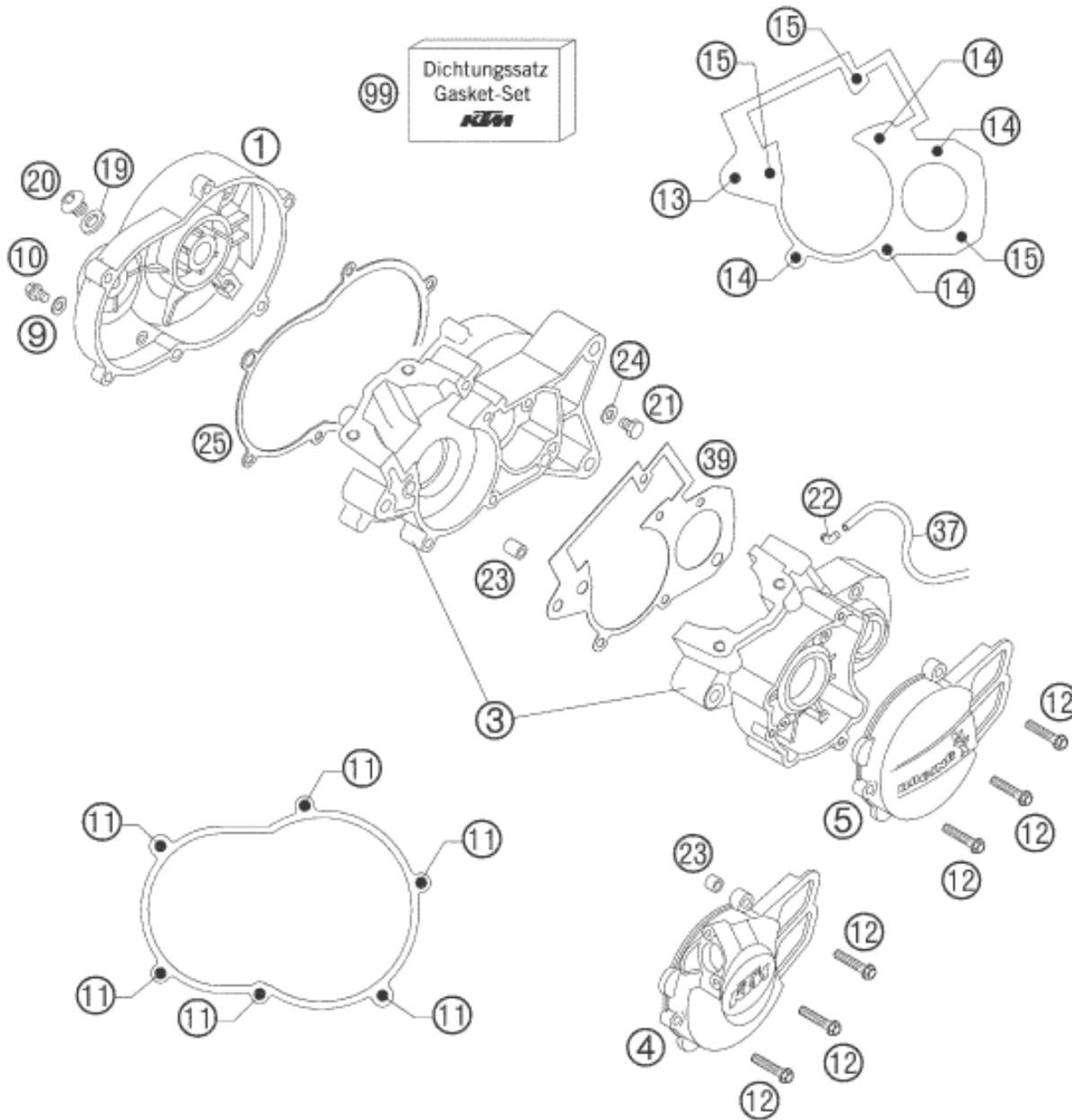
Pos	Item Number	Description	Qty
1	59029021044	EXTRACTOR PRIM. GEAR CPL.	1
2	6899785	LOCTITE 243 BLUE 6CCM	1
4	45112021000	HOLDING SPANNER F. FLYWHEEL 02	1
5	45129006000	ADJUSTING PLATE 50SX MINI 2001	1



Pos	Item Number	Description	Qty
5	45130505000 A	CYLINDER 39,5MM "A" 50 2002	0
5	45130505000 B	CYLINDER 39,5MM "B" 50 2002	0
5	45130505000 C	CYLINDER 39,5MM "C" 50 2002	0
6	45130506100	CYLINDER HEAD 50 GS 2002	1
7	0015060253	HH COLLAR SCREW M 6X25 WS=8	4
10	0015060203	HH COLLAR SCREW M 6X20 WS=8	2
11	0015080203	HH COLLAR SCREW M 8X20 WS=10	4
12	0125060003	WASHER DIN0125-A 6,4	4
20	10001120000	CLAMP 25-40 SGT 4	1
28	45139028000	BRACKET IGNITI. COIL 50LC 2001	1
29	45139128000	COLLAR BUSHING 6,3X8X7,5	2
30	0015060303	HH COLLAR SCREW M 6X30 SW=8	2

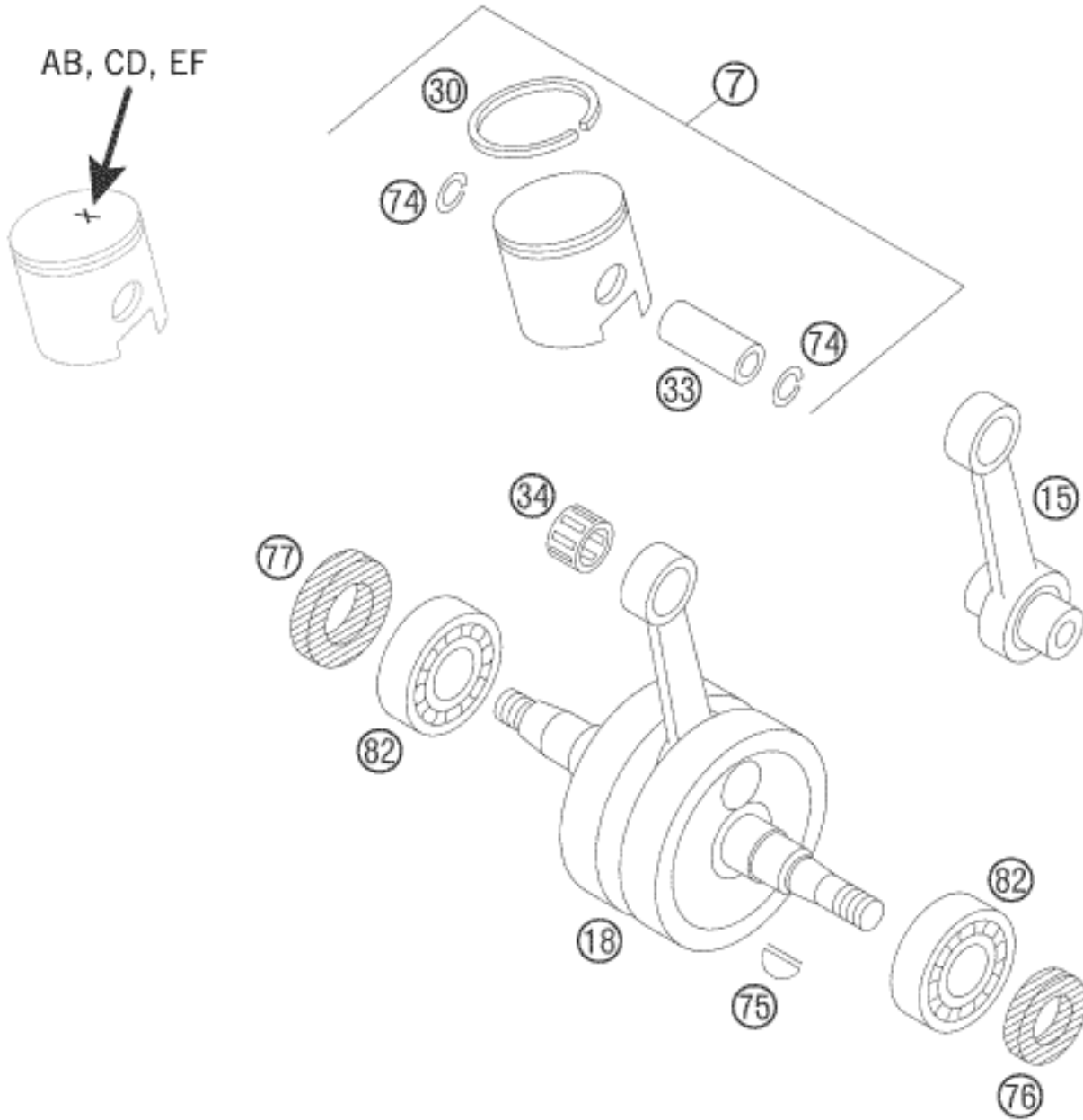
31	0021060003	WASHER DIN9021-A 6,4	2
35	46030035020	CYLINDER BASE GASKET 0,2 MM	0
35	46030035050	CYLINDER BASE GASKET 0,5 MM	0
37	45130537000	CYLINDER HEAD GASKET 50 AC 02	1
49	46030049000	INTAKE VALVE GASKET	1
50	45130050000	INLET MANIFOLD 50CCM LC 2001	1
51	46030051144	MEMBRANE HOUSING CPL.65SX 2001	1
52	46030052000	MEMBRANE LOOSE 60/65 CCM	2
54	0985030063	FLAT HEAD SCREW DIN7985-M 3X6	4
60	31008060000	RUBBER SLEEVE D=8MM OPEN	2
88	45130588000	DAMPING RUBBER-SET 2002	1





Pos	Item Number	Description	Qty
1	45130001100	CLUTCH COVER 50 2004	1
3	45130000044	ENGINE CASE 50CCM LC 2001	1
4	45130502100	IGNITION COVER 50 GS 2002	1
9	0603061001	CU-SEAL RING DIN7603-6X10X1	1
10	0015060103	HH COLLAR SCREW M 6X10 WS=8	1
11	0015060253	HH COLLAR SCREW M 6X25 WS=8	6
12	0015060303	HH COLLAR SCREW M 6X30 SW=8	3

13	0015080603	HH COLLAR SCREW M 8X60 WS=10	1
14*	0912060353	AH SCREW DIN0912-M 6X35	4
15	0912060404	AH SCREW DIN0912-M 6X40 A2	3
19	45130019000	GASKET FOR OIL PLUG	1
20	45130020000	OIL PLUG 50 LC 2001	1
21*	46030021100	OIL DRAIN PLUG M10 WS=13	1
22	45130022000	ANGLE PIECE 50CCM LC 2001	1
23	45130023000	DOWEL 7X9X10	0
23	45130023000	DOWEL 7X9X10	6
24	0603100141	COPPER GASKET DIN7603-10X14X1	1
25	45130025000	GASKET FOR CLUTCH COVER 2001	1
37	52031137001	PVC-HOSE 3X5MM	0
39	45130039000	ENGINE CASE GASKET 50 LC 2001	1
99	45130599000	GASKET SET CPL. 50 AC 2002	1

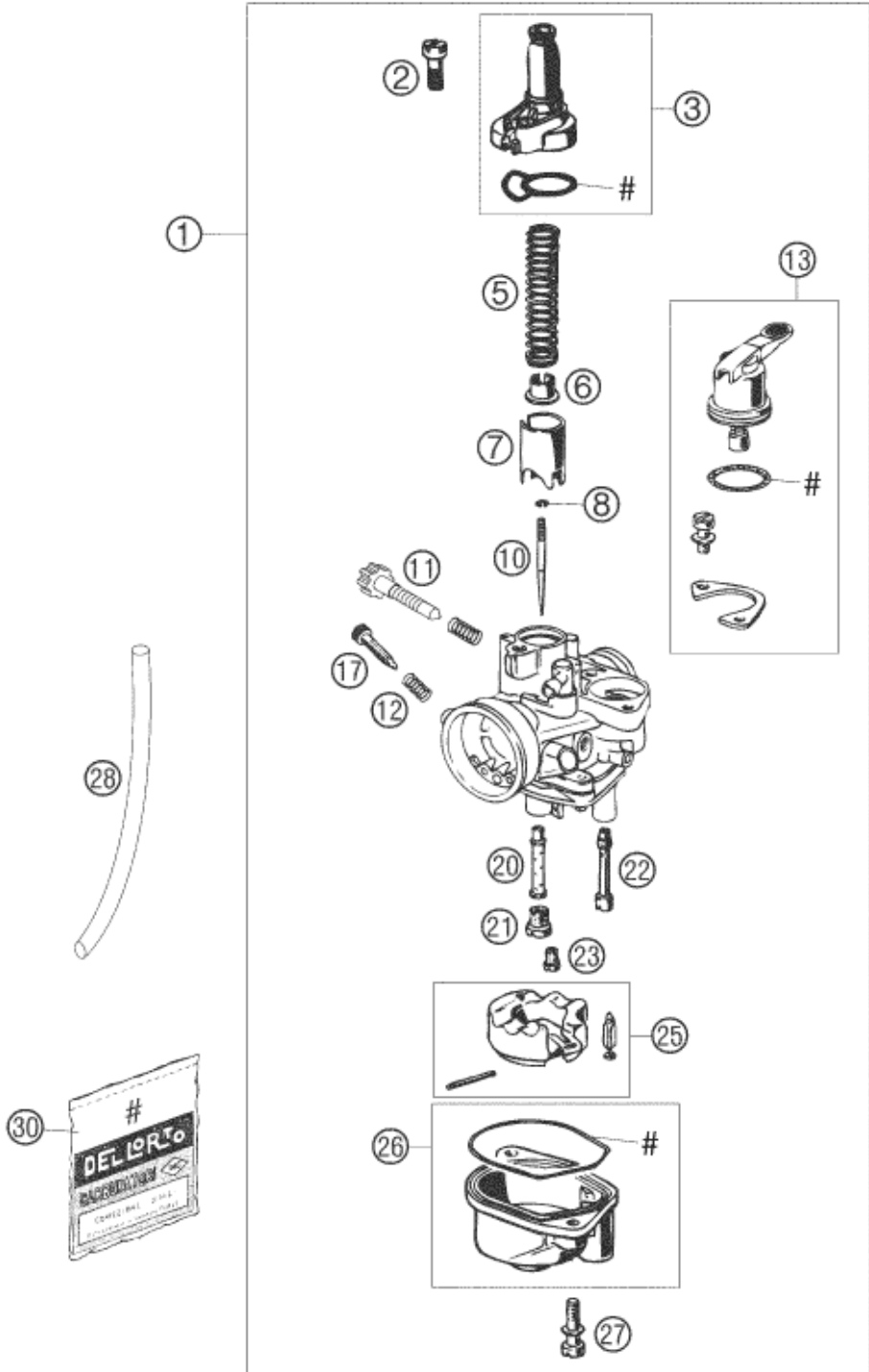


Pos	Item Number	Description	Qty
7	45130007000 A	PISTON CPL.39,5 "AB" 50 LC 01	0
7	45130007000 C	PISTON CPL.39,5 "CD" 50 LC 01	0
7	45130007000 E	PISTON CPL.39,5 "EF" 50 LC 01	0
15	45130515000	CON.ROD REPAIR SET 50 AC 2002	1
18	45130518000	CRANKSHAFT 50 AC 2002 SENIOR ADV.	1
18	45130518100	CRANKSHAFT 50 GS 2002 MINI ADV.	1

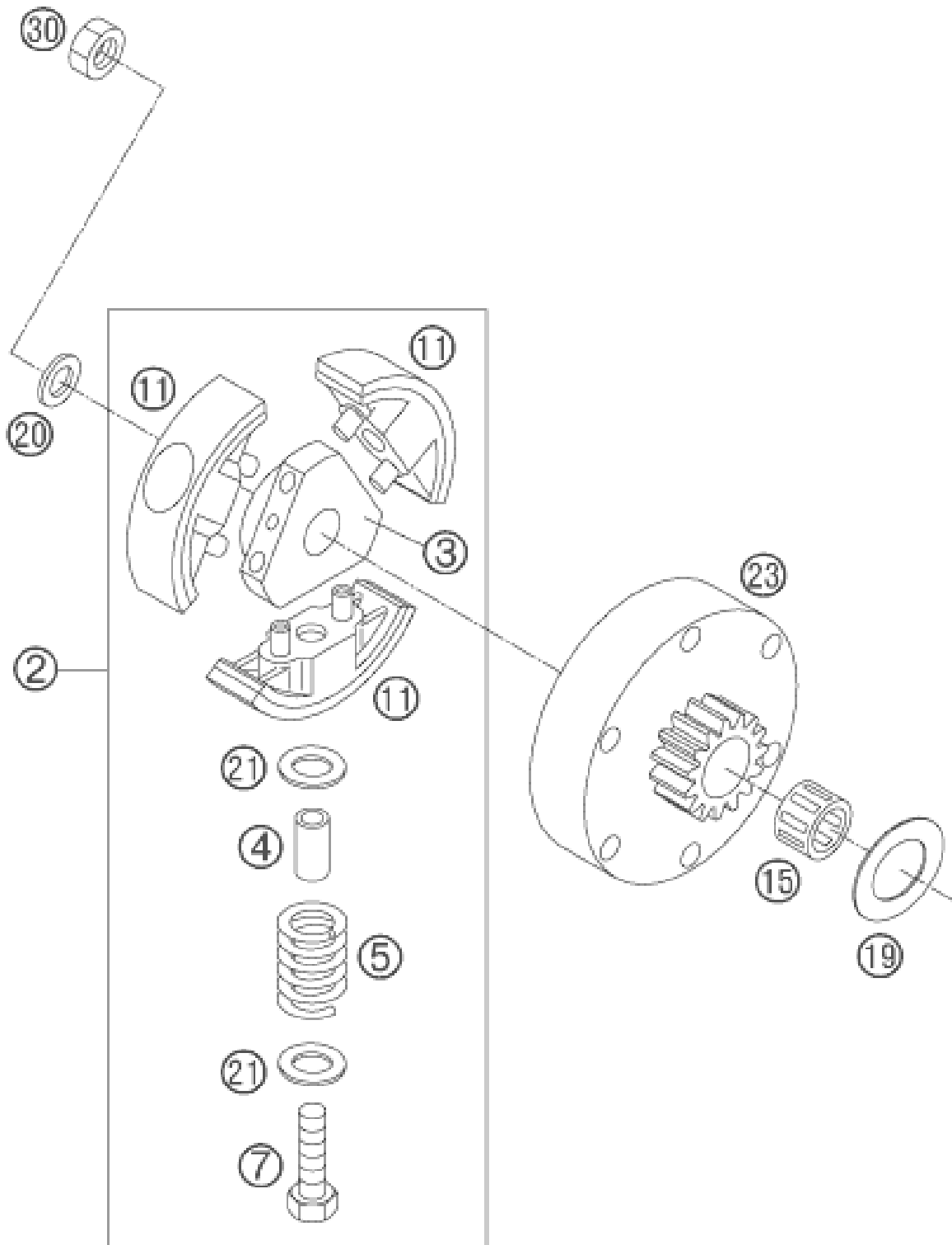
30	45130030000	PISTON RING 50CCM LC 2001	1
33	45130033000	PISTON PIN 50CCM LC 2001	1
34	45130034000	NEEDLE BEAR.PISTONPIN 12X15X15	1
74*	45130074000	CIRCLIP 2001	2
75	45130075000	WOODRUFF KEY 2,5X3,7	1
76	45130076000	OIL SEAL RING 15X24X7	1
77	45130077000	OIL SEAL RING 17X35X7	1
82	45130082100	BALL BEARING 17X40X12 2002	2



**ACHTUNG !!!**  
Vor dem Einbau des Vergasers, Bedüsung kontrollieren.  
**CAUTION**  
Before mounting the carburetor, check the jetting.



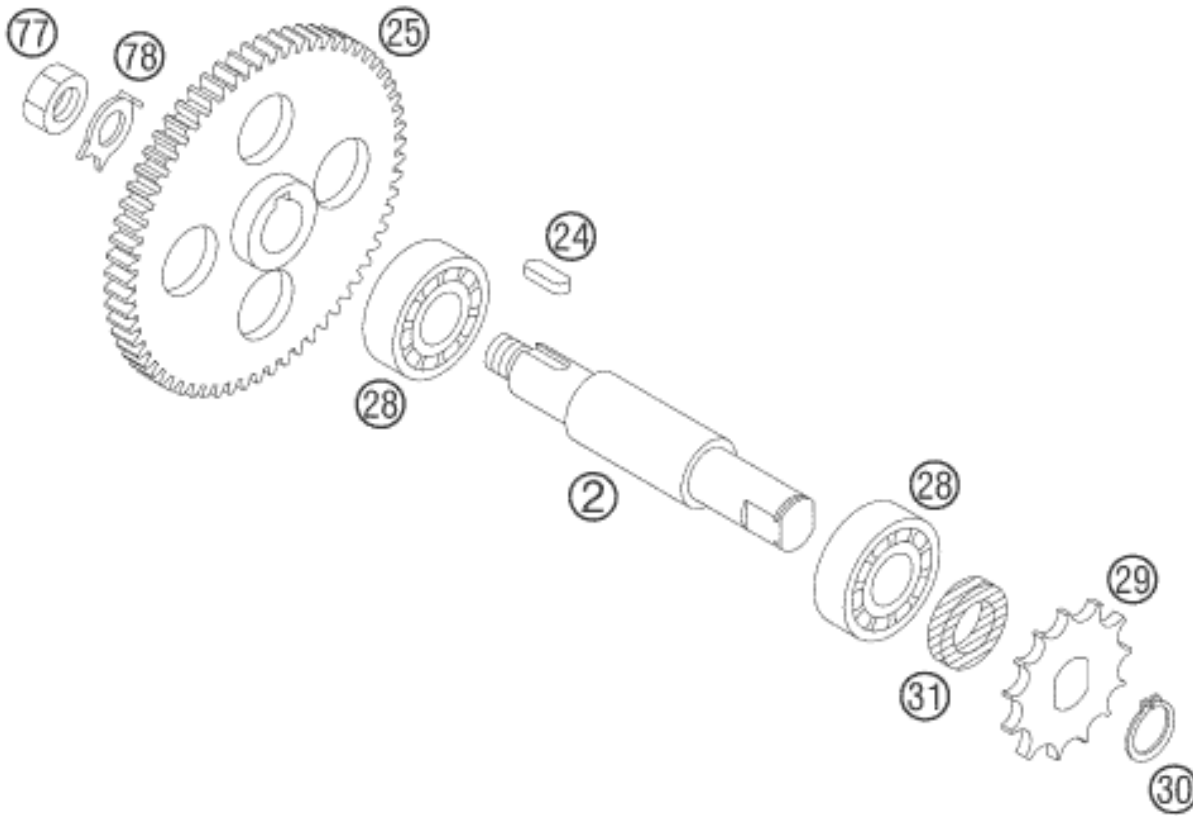
Pos	Item Number	Description	Qty
1*	45131001300	CARBURETOR DELLO. PHVA 12XS 05	1
2	0084050163	CYL.HEAD SCREW DIN0084-M 5X16A	1
3	45131527000	CARBURETOR COVER DELLOR. 12-14	1
5	45131530000	SPRING	1
6	45131531000	SPRING CAP	1
7	45131535000	THROTTLE VALVE 40	1
8	45131545000	CLAMP SPRING	1
10	45131534010	JET NEEDLE A10	1
11	45131517000	IDLE ADJUST SCREW	1
12	45131516000	SPRING FOR ADJUST SCREW	1
13*	45131548000	STARTING LEVER CPL. DELL.12-14	1
17*	45131617000	ADJUST SCREW	1
20	45131536000	ATOMIZER 211FA	1
21*	45131023065	MAIN JET 65 DELLORTO <i>MINI ADV.</i>	1
21	45131023070	MAIN JET 70 DELLORTO	0
21	57031523080	MAIN JET 80 <i>SENIOR ADV.</i>	1
21	59030054000	JET 60 DELLORTO M6X0,75	0
22	45131551060	STARTING JET 60	1
23	45131507035	IDLING JET 35	0
23	45131507038	IDLING JET 38	1
25	45131509000	FLOAT CPL.	1
26	45131511000	FLOAT BOWL DELLORTO 12-14	1
27	0084040203	CYL.SCREW DIN0084-M 4X20 A	2
28	52031137001	PVC-HOSE 3X5MM	0
30	45131599000	GASKET SET DELLORTO 12-14 PHVA	1



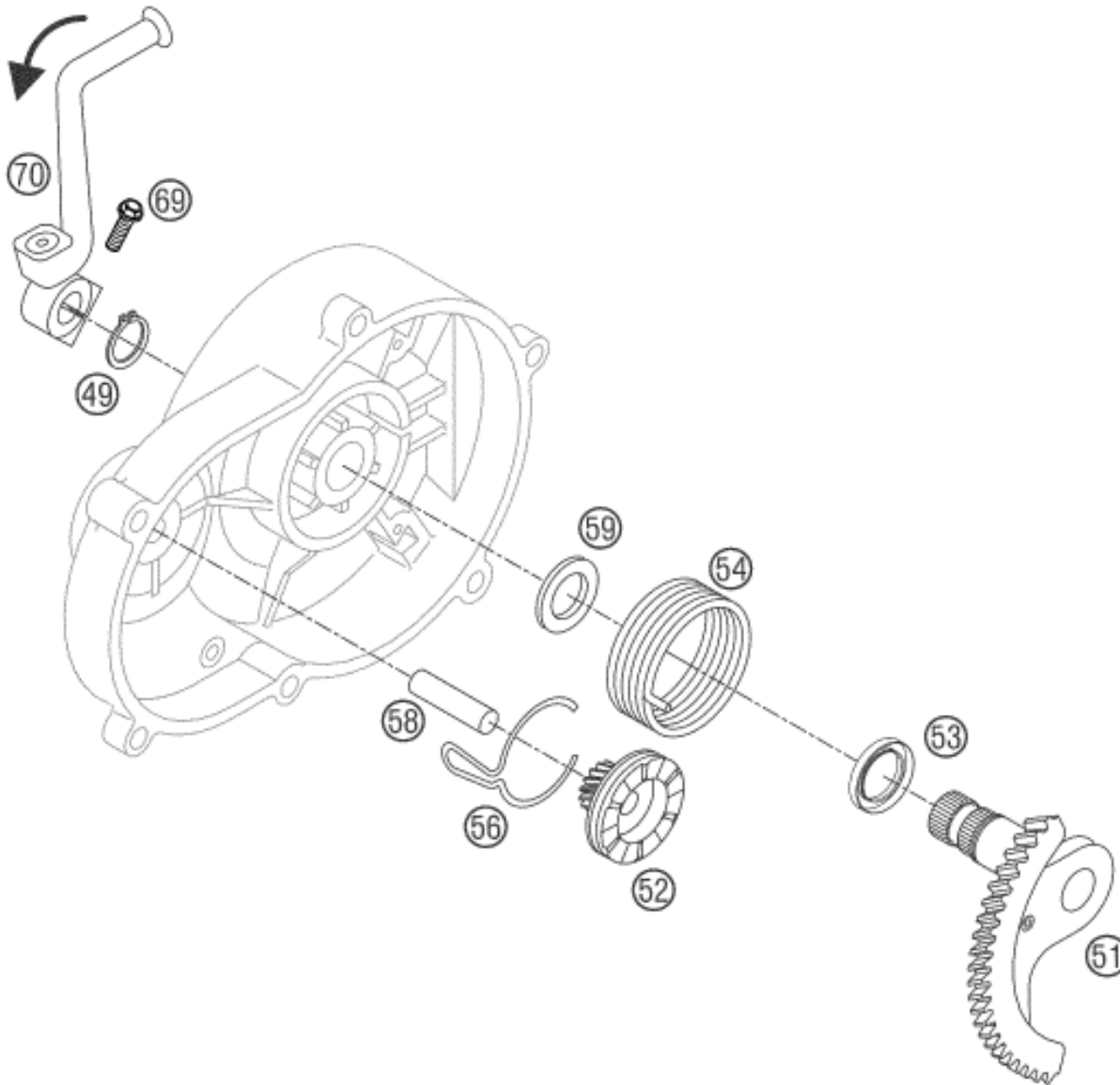
Pos	Item Number	Description	Qty
2	45132502044	CLUTCH CPL.50 2002	1
3	45132002000	CLUTCH HUB 50 LC 2002	1

4	45132004000	SPACER 6X8X19	3
5	45132005100	CLUTCH SPRING 50 GS 2002	3
7	0933060253	HH SCREW DIN0933-M 6X25	3
11	45132011100	% CLUTCH BLOCK 50 LC 2002	3
15	45132015000	NEEDLE BEARING 15X18X17	1
19	45132020060	SPACER WASHER 15X25X0,6	0
19	47033040000	STOP DISC 15X25X1	0
19	47033043000	STOP DISC 15X25X0,5	0
20	45132020000	WASHER 10,4X16,8X0,4	1
21	45132120000	WASHER 8X15,3X0,5	6
23	45132023016	CLUTCH DRUM 16-T	1
30	45130029000	SPECIAL NUT 10X1,25X8	1

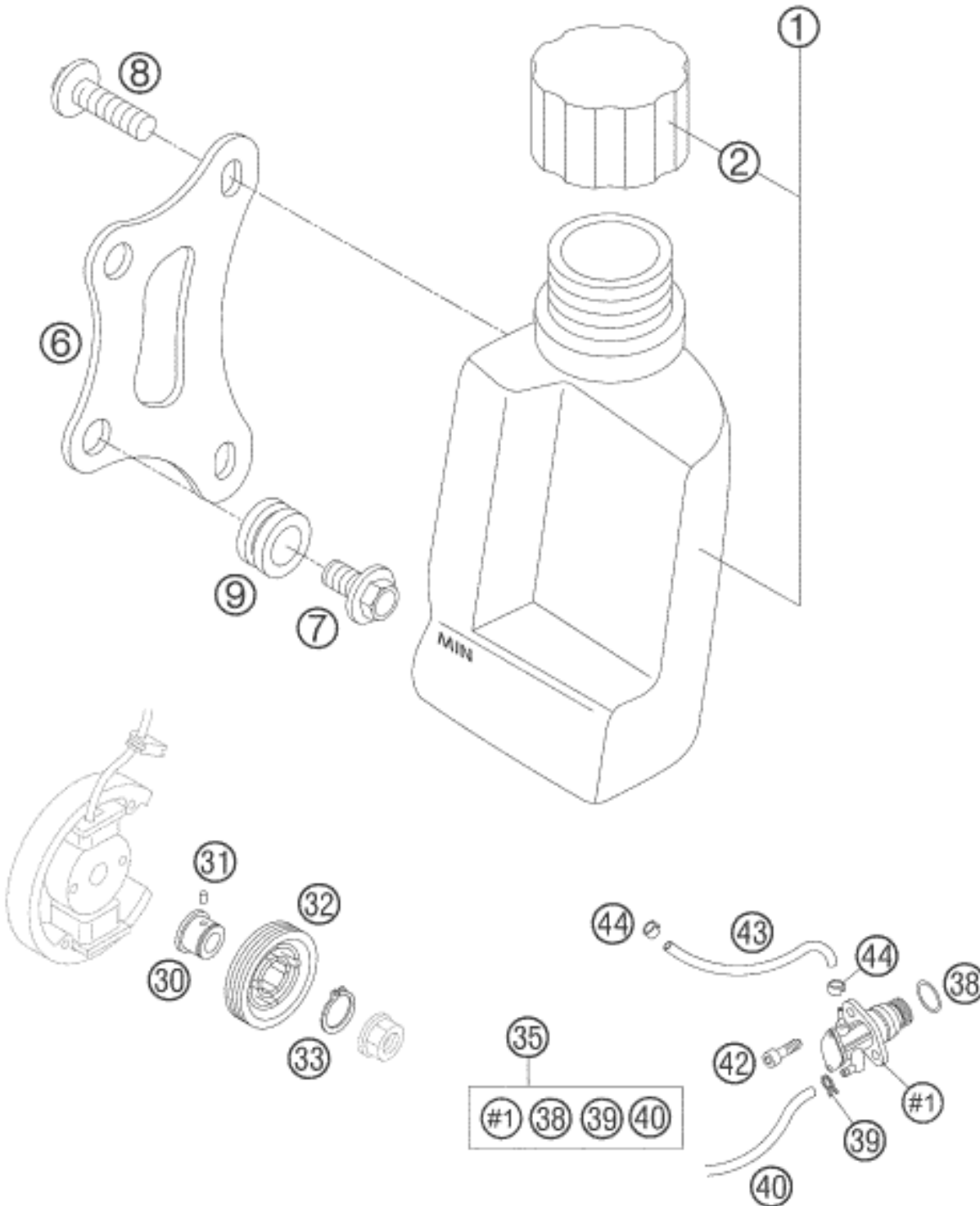




Pos	Item Number	Description	Qty
2	45133002000	COUNTER SHAFT 50CCM LC 2001	1
24	45133024000	WOODRUFF KEY 5X5X12	1
25	45132024057	PRIMARY GEAR 57-T	1
28	45133028000	BALL BEARING 15X35X11	2
29	45133029009	SPROCKET 9-T 50 LC 2001	0
29	45133029010	SPROCKET 10-T 50 LC 2001	0
29	45133029011	SPROCKET 11-T 50 LC 2001	1
29	45133029012	SPROCKET 12-T 50 LC 2001	0
29	45133029013	SPROCKET 13-T 50 LC 2001	0
30	0471150010	CIRCLIP DIN0471-15X1	1
31	45133031000	OIL SEAL RING 15X24X5	1
77	46030029000	HH NUT 14X1,25X7 WS=22	1
78	46030078000	LOCKING PLATE D=14MM	1

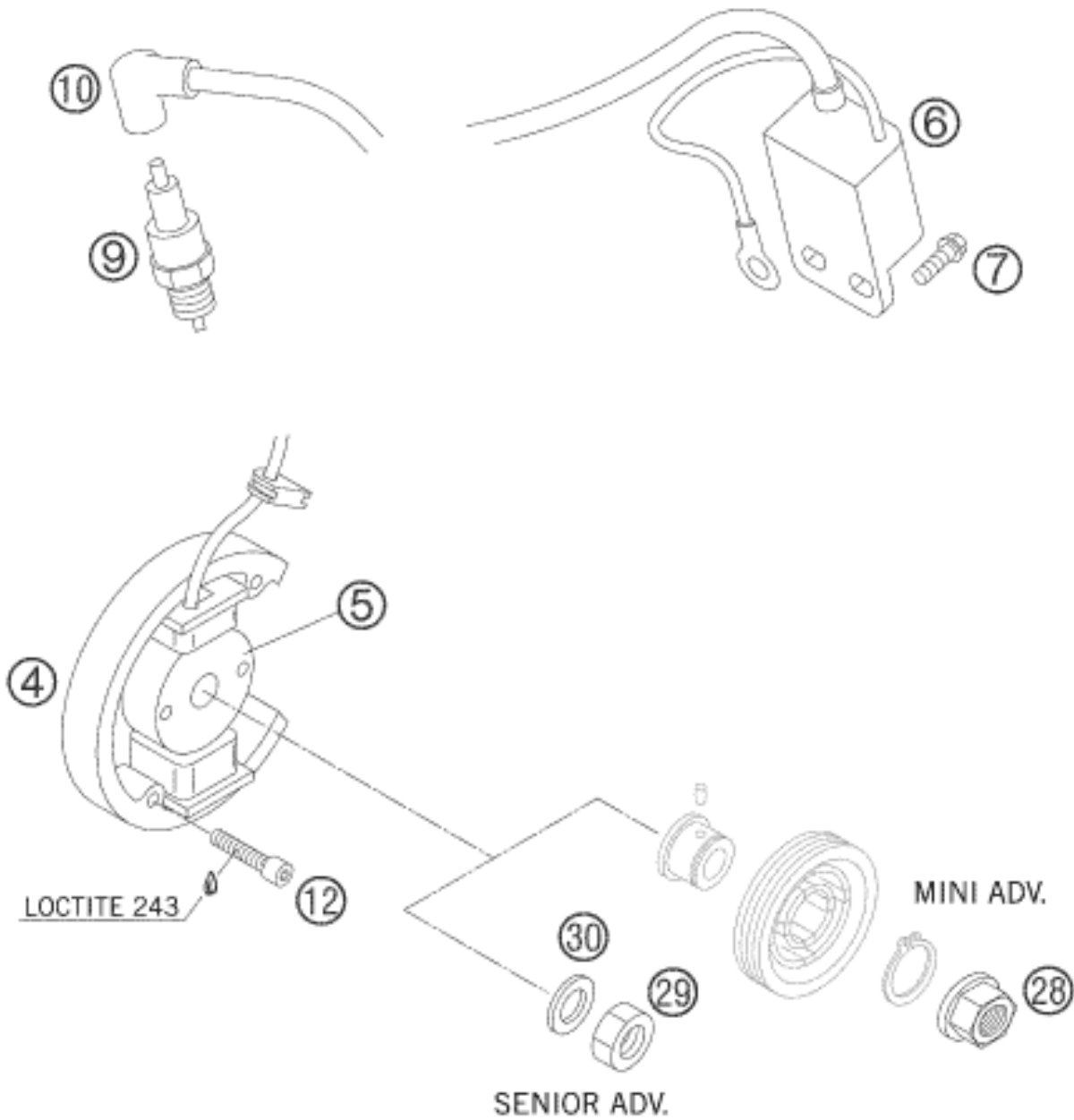


Pos	Item Number	Description	Qty
49	0471150010	CIRCLIP DIN0471-15X1	1
51	45133050100	KICKSTARTER SHAFT 50 2004	1
52	45133052000	KICKSTARTER SLEEVE 2001	1
53	45135056000	OIL SEAL RING 16X22X4	1
54	45133054000	KICKSTARTER SPRING 2001	1
56	45133056000	KICKSTARTER SLEEVE SPRING 2001	1
58	45133058000	BEARING BOLT F. KICKST SLEE.01	1
59	47033041000	STOP DISC 16X26X1	1
69	0015060203	HH COLLAR SCREW M 6X20 WS=8	1
70	45133070000	KICKSTARTER 50CCM LC 2001	1



Pos	Item Number	Description	Qty
1	45138061000	OIL TANK 50 ADV. 'GS' 2002	1

2	45138062000	OIL TANK COVER 50 GS 2002	1
6	45138061050	BRACKET FOR OIL TANK 2002	1
7	0014060103	HH COLLAR SCREW M 6X10 WS=8	2
8	0017060203	EJOT PT SCREW K60X20 WS=6	2
9	31008060000	RUBBER SLEEVE D=8MM OPEN	2
30	45138064000	SPACER FOR OIL PUMP GEAR	1
31	0402030800	RETA.PIN/BEAR.NEEDLE NRO 3X8,0	2
32	45138065000	OIL PUMP GEAR 50 GS 2002	1
33	0472019100	CIRCLIP DIN472 19x1	1
35	45138063000	OIL PUMP 50 GS 2002	1
38	0770191016	O-RING 19,10X1,60 NBR 70	1
39	58007017000	YDNAC CLAMP 10101 (9MM)	2
40	45138067000	HOSE 5X9MM	1
42	0912050143	AH SCREW DIN912 M5x14	2
43	45138068000	PREFORM. HOSE CARB.-PUMP 2X5MM	1
44	45138069000	CLAMP 5 FOR OIL PUMP	2



Pos	Item Number	Description	Qty
4	45139004000	FLYWHEEL STATOR 50CCM LC 2001	1
5	45139005100	FLYWEEL ROTOR 50 2004	1
6	45139006000	IGNITION COIL 50CCM LC 2001	1
7	0015060123	HH COLLAR SCREW M 6X12 WS=8	2
9	54331093410	SPARK PLUG NGK BR8ECM	1
10	54531010000	% SPARK PLUG CAP LB05EMH N	1
12	0912050253	AH SCREW DIN0912-M 5X25	2
28	58414030000	HH COLLAR NUT M10X1,25 WS=13	1

29	45130028000	SPECIAL NUT M10X1,25X6	1
30	45132020000	WASHER 10,4X16,8X0,4	1