

FIG	TEILNR/PARTNR	DESCRIPTION	QTY
1*	503.37.001.100	INTERMEDIATE FLANGE 125'2000	1
1*	523.37.001.200	INTERMEDIATE FLANGE 200'2000	1
1	523.37.001.100	INTERMEDI. FLANGE D=50 SGP '99 200 EXC SINGAPORE	1
5*	503.30.005.100	CYLINDER 54,25MM 125'2000	1
5*	523.30.005.100	CYLINDER 64MM 200'2000	1
5	523.30.005.000	CYLINDER 64 MM 200'98 200 EXC SINGAPORE	1
6	503.30.006.000	CYLINDER HEAD 125'98	1
6	523.30.006.000	CYLINDER HEAD 200'98	1
8	0835 080273	STUD DIN0835-M 8X27 125	4
8	0835 080355	STUD DIN0835-M 8X35 10.9 200	4
30	0770 062020	O-RING 62,00X2,00 VITON 125	1
30	0770 720021	O-RING 72,00X2,00 VITON 200	1
32	502.30.032.010	CU-SEAL RING 7,3 X 12 X 0,5	6
35	503.30.035.007	CYL. BASE GASKET 0,07MM PAPER	X
35	503.30.035.015	CYLINDER BASE GASKET 0,15MM	X
35	503.30.035.020	CYLINDER BASE GASKET 0,20MM	X
35	503.30.035.025	CYLINDER BASE GASKET 0,25MM	X
35	503.30.035.040	CYLINDER BASE GASKET 0,40MM	X
35	503.30.035.050	CYLINDER BASE GASKET 0,50MM	X
35	503.30.035.075	CYLINDER BASE GASKET 0,75MM	X
37	503.30.037.000	CYL.HEAD GASKET 1,1MM 125'98	1
37	523.30.037.000	CYL.HEAD GASKET 1,1MM 200'98	1
40	0015 050203	HH COLLAR SCREW M 5X20 WS=8	6
45	503.30.045.000	HH COLLAR NUT M8 WS=12	4
46*	503.37.046.100	INTERMED.GASKET 1,1MM 125'2000	1
46*	523.37.046.100	INTERMED.GASKET 1,1MM 200'2000	1
46	523.37.046.000	INTERMED.GASKET 1,15MM 200'98 200 EXC SINGAPORE	1
74	510.05.074.000	RETAINING PLATE	2
77	0933 060103	HH SCREW DIN0933-M 6X10	1
79	500.30.079.000	CYL. HEAD BOLT M7X40 WS=10	6

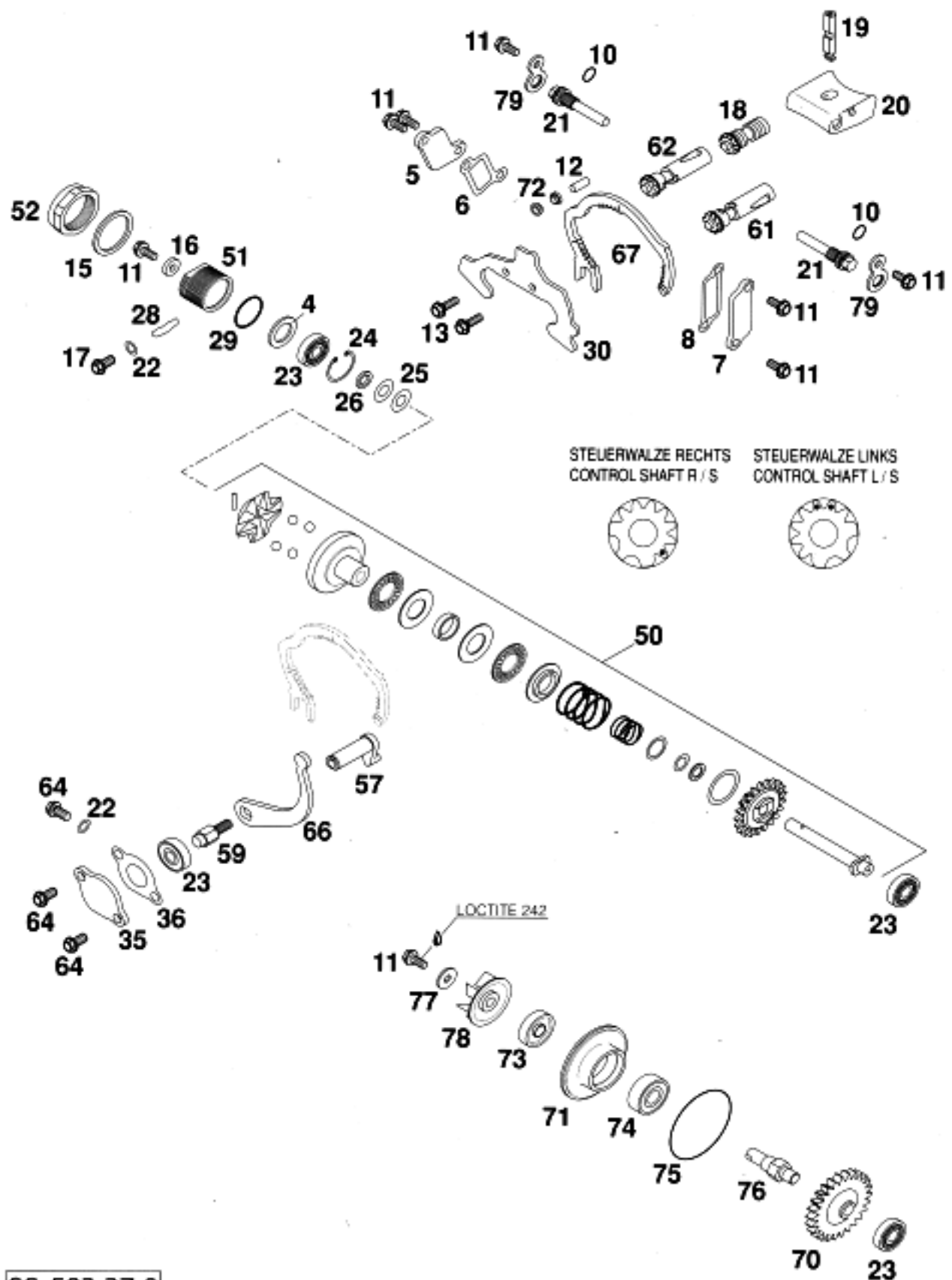


FIG	TEILNR/PARTNR	DESCRIPTION	QTY
4	490.33.031.015	STOP DISK 14,2X22X1,5	1
5	503.37.005.000	SIDE COVER R/S '98	1
6	503.37.006.000	GASKET SIDE COVER R/S	1
7	503.37.007.000	SIDE COVER L/S '98	1
8	503.37.008.000	GASKET SIDE COVER L/S	1
10	0770 008020	O-RING 8,00X2,00 NBR	2
11	0015 050123	HH COLLAR SCREW M 5X12 WS=8	8
12	0402 051600	NEEDLE ROL. DIN5402 NRB 5X15,8	3
13	0015 050163	HH COLLAR SCREW M 5X16 WS=8	2
15	0603 262322	CU-SEAL RING DIN7603-26,2X32X2	1
16	503.37.050.064	WASHER 5,2 X 12 X 3	1
17	0015 060103	HH COLLAR SCREW M 6X10 WS=8	1
18	503.37.018.044	ECCENTRIC FOR CRANKBOLT 125'98	1
18	523.37.018.044	ECCENTRIC FOR CRANKBOLT 200'98	1
19	503.37.019.000	CRANK BOLT F.CONTROL FL.125'98	1
19	523.37.019.000	CRANK BOLT F.CONTROL FL.200'98	1
20	503.37.020.000	CONTROL FLAP 125'98	1
20	523.37.020.000	CONTROL FLAP 200'98	1
21	503.37.021.000	AXLE FOR CONTROL FLAP WS=8 '98	2
22	0603 061001	CU-SEAL RING DIN7603- 6X10X1	2
23	0625 006087	GROOVED BALL BEAR. 608 2RS C3	4
24	0472 022100	CIRCLIP DIN0472-22X1	1
25	0093 821606	WASHER DIN2093-8,2X16X0,6	2
26	503.37.050.063	SPACER BUSHING 8X12X2,3	1
28	000.99.300.011	O-RINGSTRING 4MM NBR70 PER/M	0,018
29	0770 160030	O-RING 16,00X3,00 NBR 70	1
30	503.37.030.000	SHEET METAL GUIDE 3MM 125'98	1
30	523.37.030.000	SHEET METAL GUIDE 3MM 200'98	1
35	503.37.035.000	CLOSING COVER '98	1
36	503.37.035.050	CLOSING COVER GASKET 1MM	1
50	503.37.050.044	CENTRIFUGAL TIMER CPL. 125'98	1
50	523.37.050.044	CENTRIFUGAL TIMER CPL. 200'98	1
51	503.37.050.062	BEARING HOLDER M26X1 '98	1
52	503.37.050.061	CLOSING NUT M26X1 WS=30	1
57	503.37.057.000	CONTROL LEVER 125/200'98	1

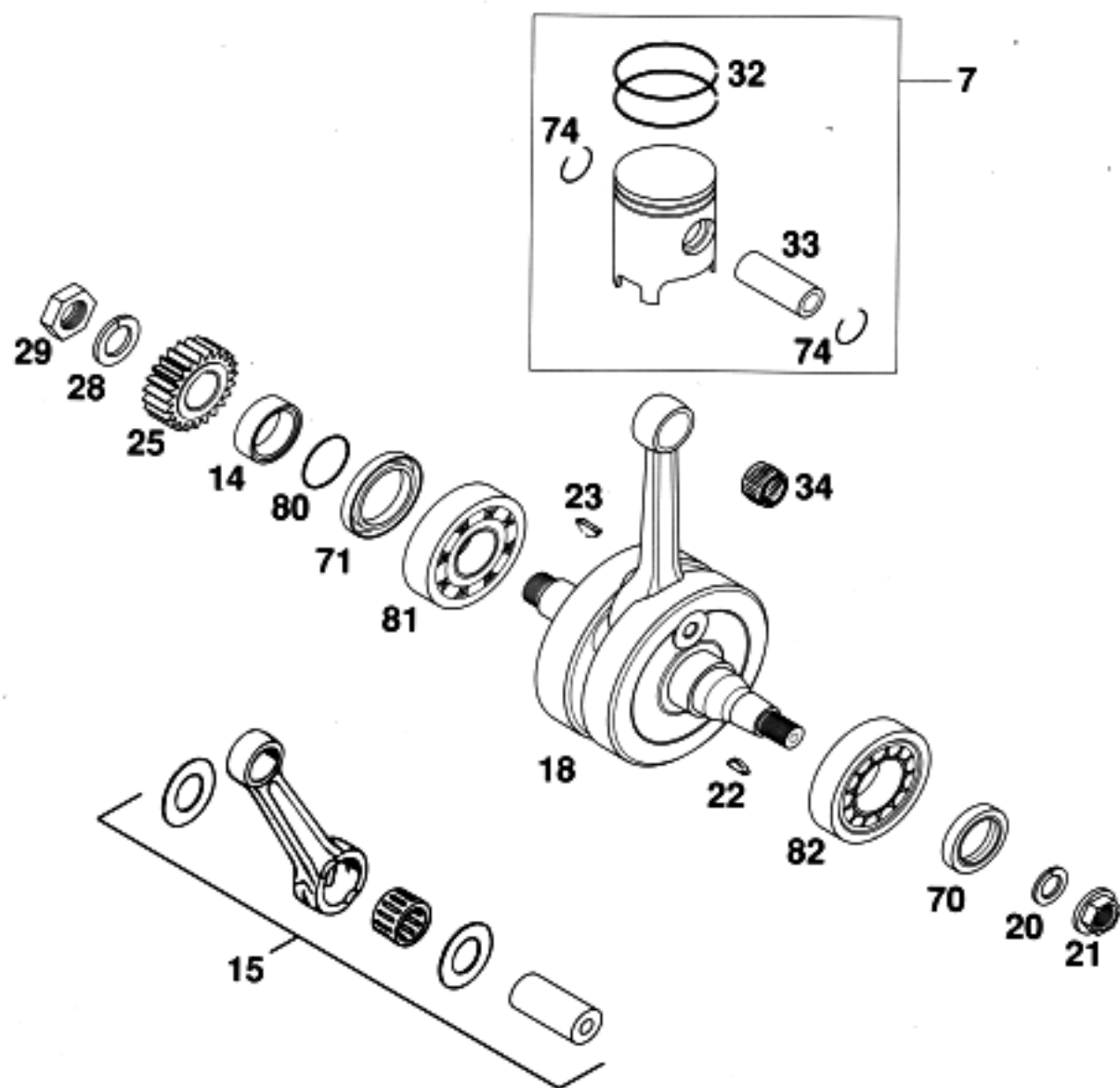
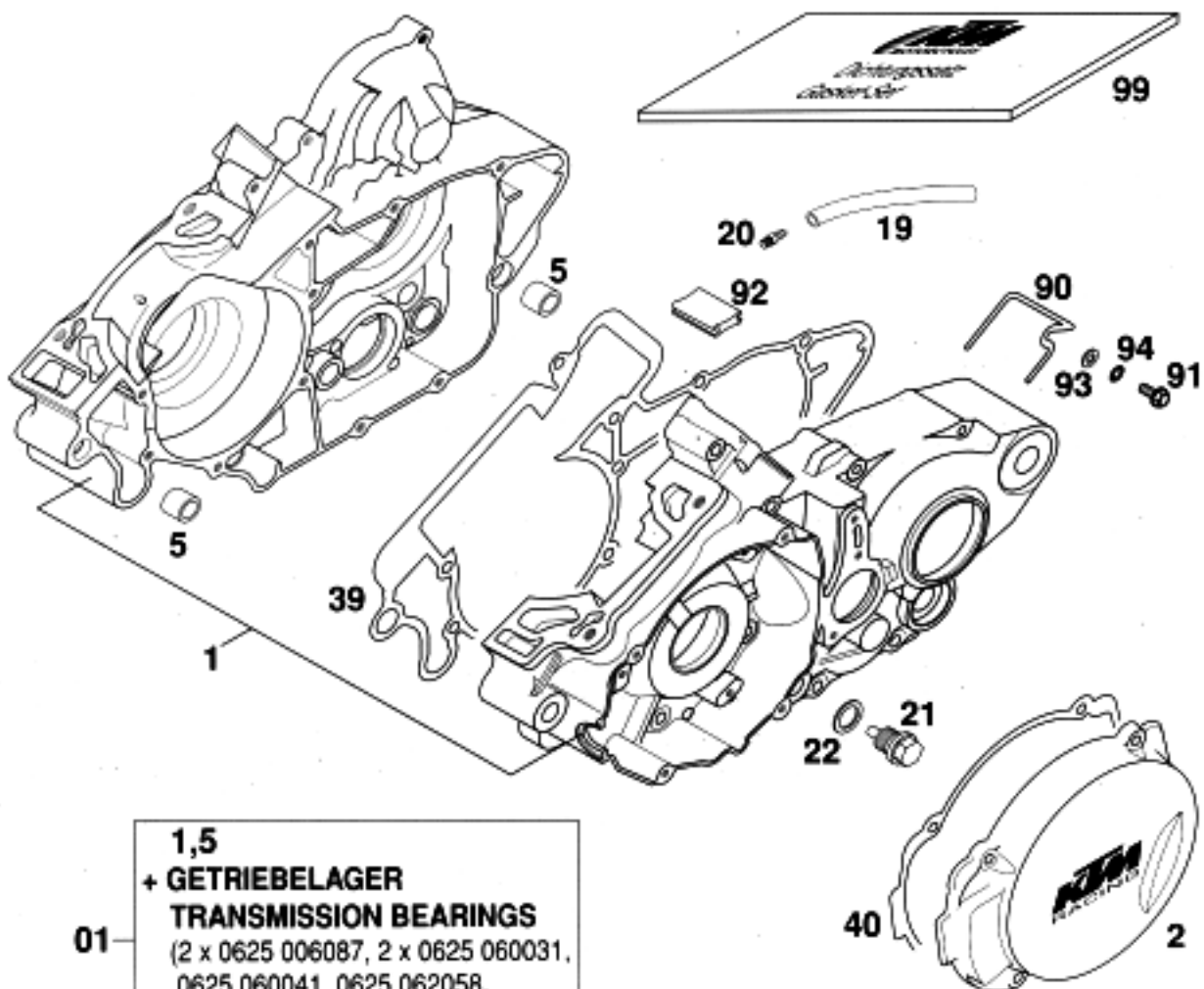


FIG	TEILNR/PARTNR	DESCRIPTION	QTY
7	503.30.007.000/ I	PISTON I CPL. 54,25MM 125'98 ONE RING, FORGED	1
7	503.30.007.000/ II	PISTON II CPL. 54,25MM 125'98 ONE RING, FORGED	1
7	503.30.007.200/ I	PISTON I CPL. 54,25MM 125'99 TWO RINGS, CAST	1
7	503.30.007.200/ II	PISTON II CPL. 54,25MM 125'99 TWO RINGS, CAST	1
7	523.30.007.000/ I	PISTON I CPL. 64MM 200'98 TWO RINGS, CAST	1
7	523.30.007.000/ II	PISTON II CPL. 64MM 200'98 TWO RINGS, CAST	1
14	546.33.014.100	SPACER BUSHING 12 MM	1
15	503.30.015.000	CON.ROD REPAIR KIT 125'98	1
15	523.30.015.000	CON.ROD REPAIR KIT 200'98	1
18	503.30.018.000	CRANKSHAFT STROKE 54 125'98	1
18	523.30.018.000	CRANKSHAFT STROKE 60 200'98	1
20	502.30.029.012	LOCKING RING VSK 12	1
21	490.30.021.000	COLLAR NUT M12X1 R/S	1
22	0888 030050	WOODRUFF KEY DIN6888-3X5X13	1
23	6 946 005	WOODRUFF KEY 5X6,5 HARDED	1
25	503.32.023.023	PRIMARY PINION 23-T 125/200'98	1
28	502.30.029.016	LOCKING RING VSK 16	1
29	503.30.029.000	HEXAGON NUT M 16 X 1,5 - L/S	1
32	502.30.032.500	SQUARE RING 54,25X1 125'92	1(2)
32	523.30.032.000	SQUARE RING 64X1 200'98	2
33	501.30.033.000	PISTON PIN 9X15X46,3 125'93	1
33	523.30.033.000	PISTON PIN 10X16X46 200'98	1
34	510.30.034.000	NEEDLE BEARING K15 X 19 X 20 125	1
34	523.30.034.000	NEEDLE BEARING KV16X20X20 FN 200	1
70	0760 253570	SHAFT SEAL RING 25X35X7 BTSL	1
71	0760 324564	SHAFT SEAL RING 32X45X6,5 BT	1
74	520.30.074.000	WIRE LOCK RING C15X1,2 125	2
74	523.30.074.000	WIRE LOCK RING C16X1,2 200	2
80	0770 250020	O-RING 25,00X2,00 NBR 70	1
81	0625 063054	BALL BEARING NSK 6305 C4E	1
82	503.30.082.000	CYL.ROLLER BEAR. NJ206 E T2XC3	1

FIG	TEILNR/PARTNR	DESCRIPTION	QTY
01	503.30.000.044	ENGINE CASE CPL.W.TRAN.BEAR'98 125	1
01	523.30.000.044	ENGINE CASE CPL.W.TRAN.BEAR'98 200	1
2	503.30.002.000	IGNITION COVER 125/200 '98	1
5	546.30.027.000	DOWEL BUSHING 13,8X11X12	2
19	550.07.016.001	PVC-HOSE 7X10 PER METER	0,04
20	583.36.020.090	VACUUM CONNECTION M6X1	1
21	580.30.021.000	OILDRAIN PLUG W.MAGNET M12X1,5	1
22	580.38.022.000	CU-SEAL RING DIN7603-12X18X1,5	1
39	503.30.039.000	ENGINE CASE GASKET 0,5MM '98	1
40	503.30.040.000	IGNITION COVER GASKET 1MM '98	1
42	0015 060503	HH COLLAR SCREW M 6X50 WS=8	6
43	0015 060553	HH COLLAR SCREW M 6X55 WS=8	5
44	0015 050203	HH COLLAR SCREW M 5X20 WS=8	4
90	503.30.090.000	BRACKET FOR BREATHERTUBE	1
91	0015 050123	HH COLLAR SCREW M 5X12 WS=8	1
92	503.30.092.000	OIL GUARD GROMMET 25X31 '98	1
93	0125 050003	WASHER DIN0125-A 5,0	1
94	0797 050003	TOOTH LOCK WASH. DIN6797-J 5,3	1
99	503.30.099.000	GASKET SET 125-200 '98-'00	1



01
1,5
+ GETRIEBELAGER
TRANSMISSION BEARINGS
(2 x 0625 006087, 2 x 0625 060031,
0625 060041, 0625 062058,
0625 618050)

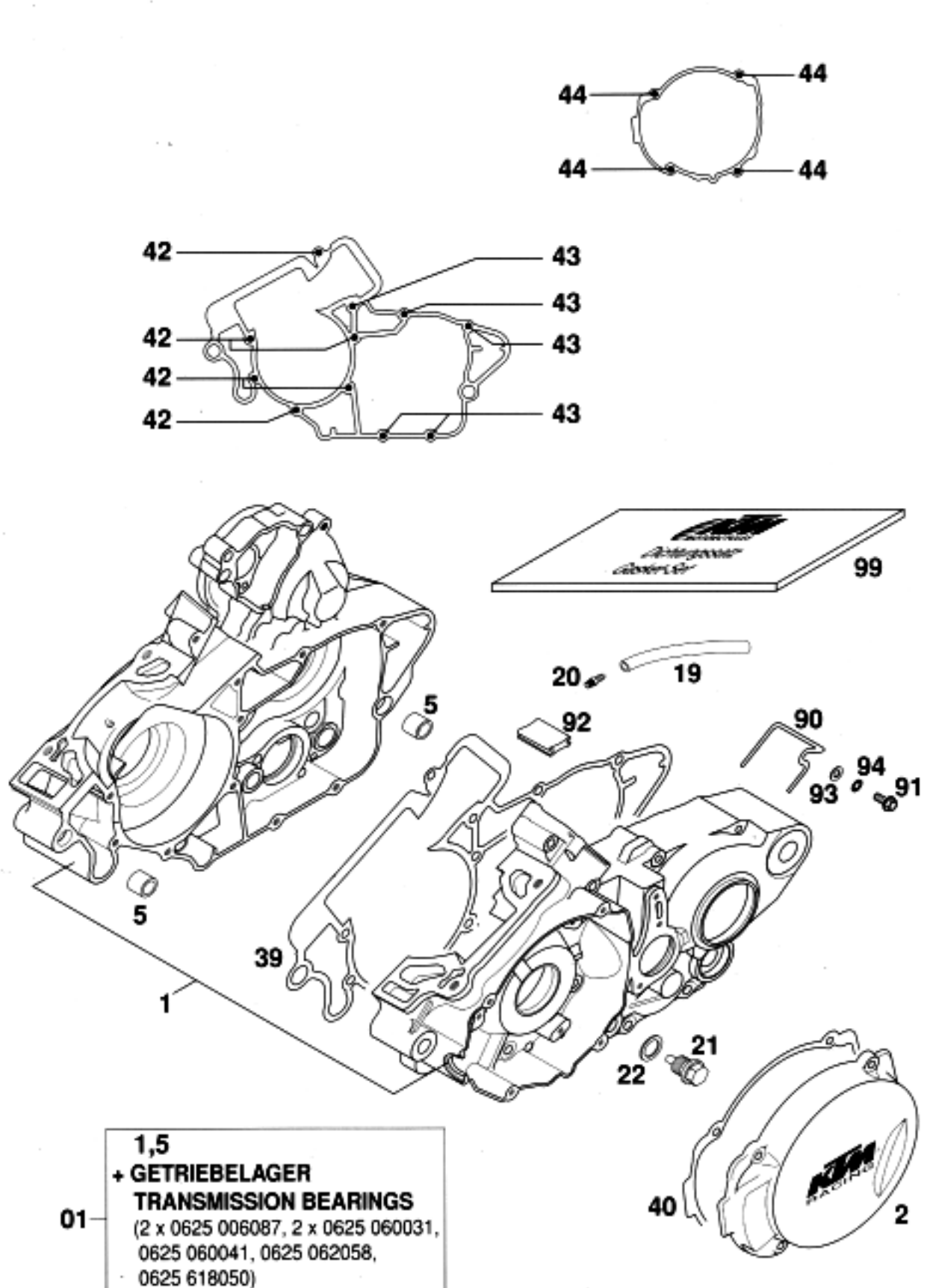


FIG	TEILNR/PARTNR	DESCRIPTION	QTY
01	523.30.000.144	ENGINE CASE CPL.W.TRAN.BEAR'99	1
2	503.30.002.000	IGNITION COVER 125/200 '98	1
5	546.30.027.000	DOWEL BUSHING 13,8X11X12	2
19	550.07.016.001	PVC-HOSE 7X10 PER METER	0,04
20	583.36.020.090	VACUUM CONNECTION M6X1	1
21	580.30.021.000	OILDRAIN PLUG W.MAGNET M12X1,5	1
22	580.38.022.000	CU-SEAL RING DIN7603-12X18X1,5	1
39	503.30.039.000	ENGINE CASE GASKET 0,5MM '98	1
40	503.30.040.000	IGNITION COVER GASKET 1MM '98	1
42	0015 060503	HH COLLAR SCREW M 6X50 WS=8	6
43	0015 060553	HH COLLAR SCREW M 6X55 WS=8	5
44	0015 050203	HH COLLAR SCREW M 5X20 WS=8	4
90	503.30.090.000	BRACKET FOR BREATHERTUBE	1
91	0015 050123	HH COLLAR SCREW M 5X12 WS=8	1
92	503.30.092.000	OIL GUARD GROMMET 25X31 '98	1
93	0125 050003	WASHER DIN0125-A 5,0	1
94	0797 050003	TOOTH LOCK WASH. DIN6797-J 5,3	1
99	503.30.099.000	GASKET SET 125-200 '98-'00	1

01
1,5
+ GETRIEBELAGER
TRANSMISSION BEARINGS
(2 x 0625 006087, 2 x 0625 060031,
0625 060041, 0625 062058,
0625 618050)

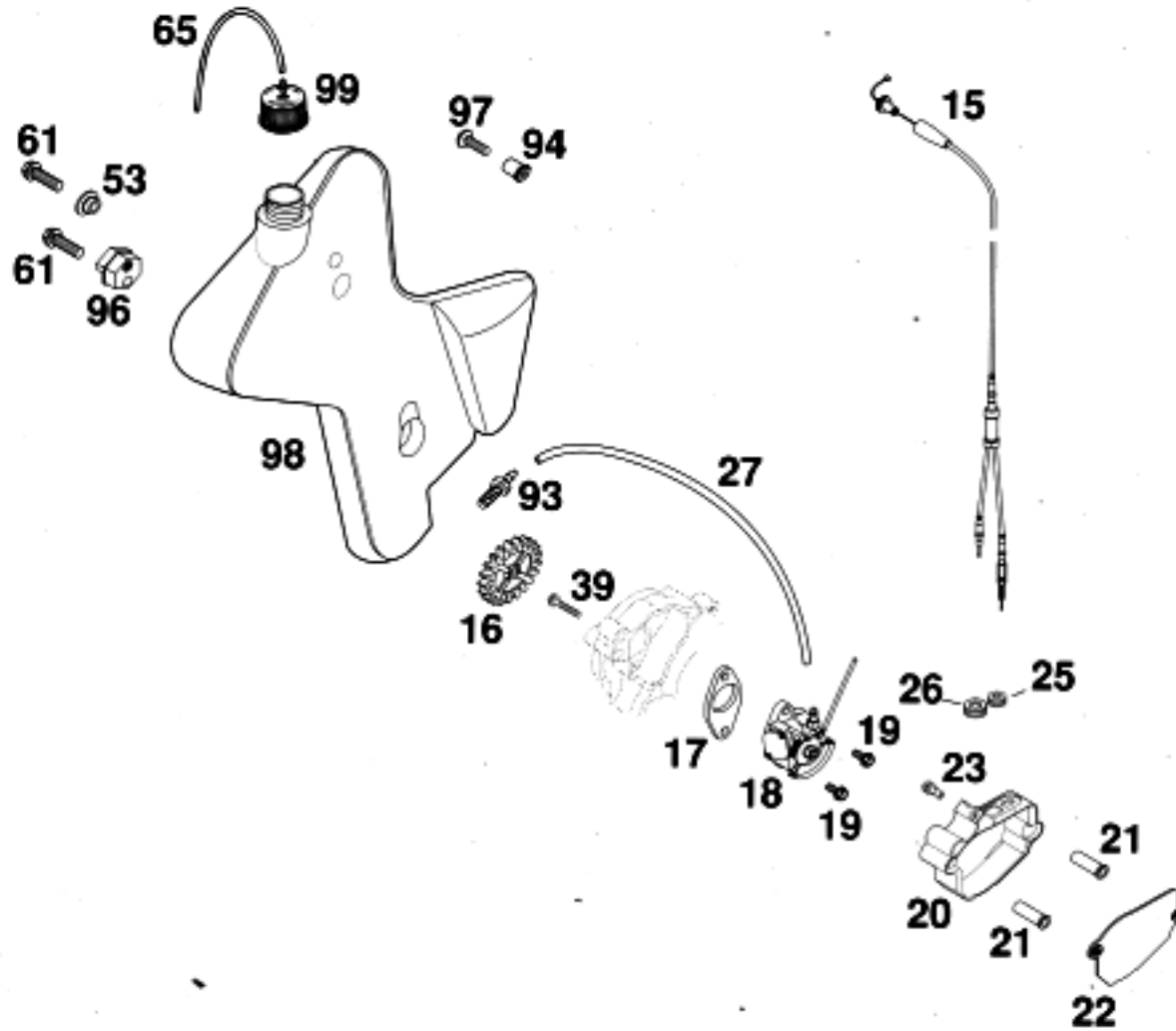


FIG	TEILNR/PARTNR	DESCRIPTION	QTY
15	523.02.091.000	THROT.CABLE W.DISTRIBUT.SGP'99	1
16	523.38.001.000	OIL PUMP WHEEL 21-Z	1
17	523.38.070.010	OIL PUMP GASKET '99	1
18	523.38.070.000	OIL PUMP 200 EGS SINGAPUR '99	1
19	0015 050123	HH COLLAR SCREW M 5X12 WS=8	2
20	523.38.074.000	OIL PUMP COVER CPL. '99	1
21	523.38.071.000	PASSPORT SOCKET DM12,3X34 '99	2
22	523.38.073.000	COVER OIL PUMP '99	1
23	523.38.072.000	THREADED BUSH L=12MM WS=8 '99	1
25	523.38.075.000	RUBBER SLEEVE 5 X 7 X 3	1
26	310.08.060.000	RUBBER SLEEVE D=8MM OPEN	1
27	580.07.016.001	FUEL HOSE VITON	0,5
39	0015 050303	HH COLLAR SCREW M 5X30 WS=8	1
53	503.08.053.000	BUSH FOR SPOILER 6X11X16X7,5	1
61	0015 060203	HH COLLAR SCREW M 6X20 WS=8	2
65	501.31.137.000	VENT HOSE 3X5X270	1
93	523.38.061.050	HOSE CONNECTION FOR OILTANK	1
94	550.03.139.600	BLIND RIVET NUT M6X15,5 STEEL	1
96	503.35.096.000	TANK ADAPTER BUSH 12 LITER '98	1
97	0014 060203	HH COLLAR SCREW M 6X20 WS=8	1
98	523.38.061.000	ADDITIONAL TANK R/S 125-380'99	1
99	491.38.491.044	OIL TANK CAP	1

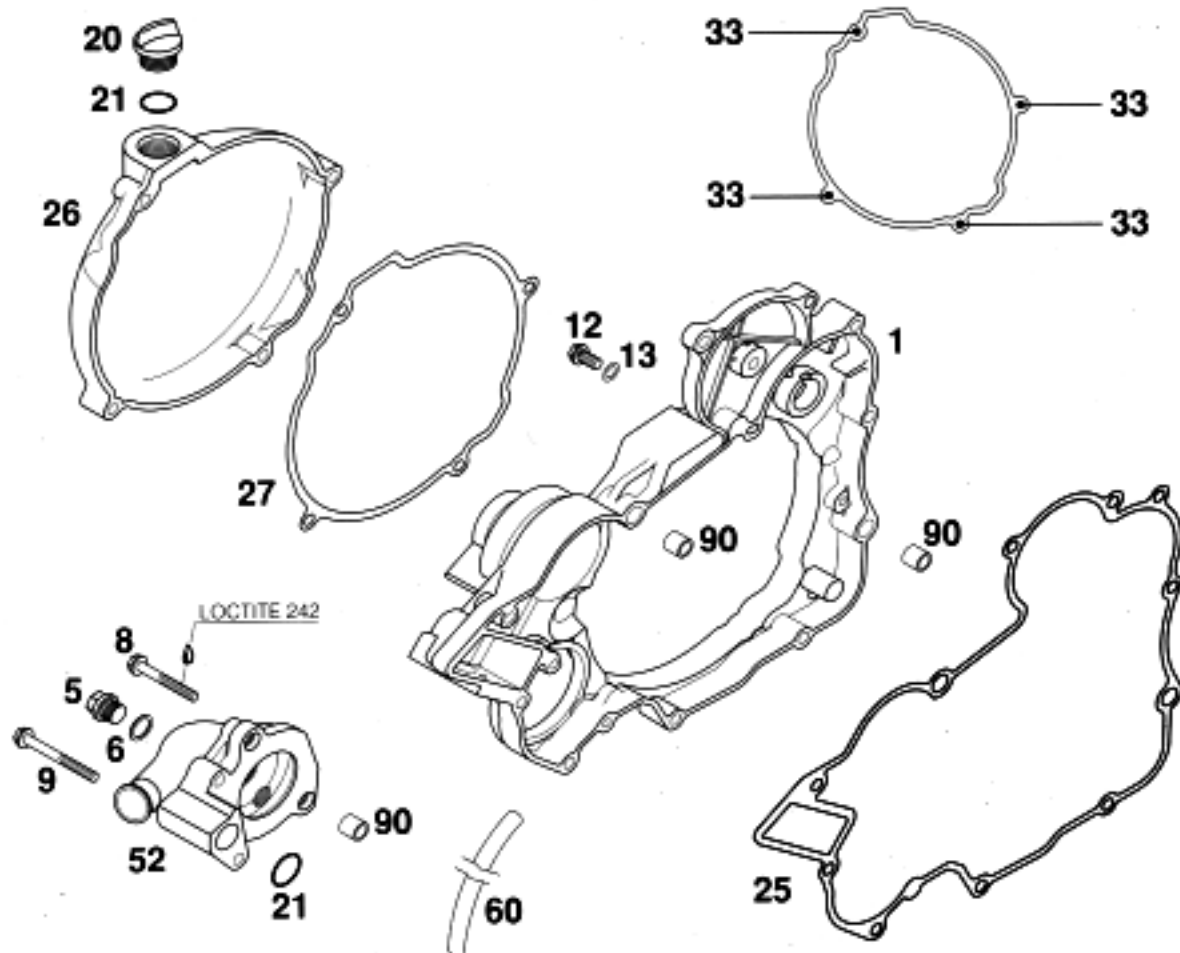
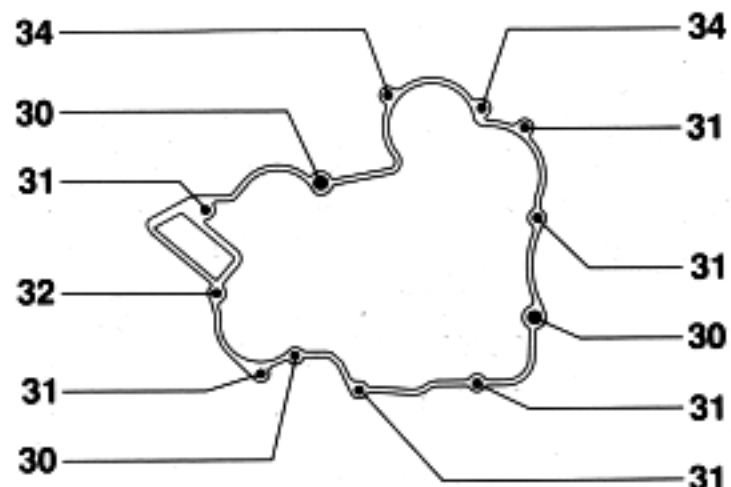


FIG	TEILNR/PARTNR	DESCRIPTION	QTY
1	523.30.101.044	CLUTCH COVER CPL. OILPUMP '99	1
5	0910 100003	PLUG DIN0910-M10X1	1
6	420.13.226.000	CU-SEAL RING DIN7603-10X16X1	1
8	0015 060353	HH COLLAR SCREW M 6X35 WS=8	2
9	0015 060503	HH COLLAR SCREW M 6X50 WS=8	2
12	0015 060123	HH COLLAR SCREW M 6X12 WS=8	1
13	0603 061001	CU-SEAL RING DIN7603- 6X10X1	1
20	580.30.020.000	PLUG M24 X 3	1
21	0770 160030	O-RING 16,00X3,00 NBR 70	2
25	503.30.125.000	CLUTCH COVER GASKET 0,5MM '99 FOR OIL PUMP	1
26	503.30.026.000	CLUTCH OUTSIDE COVER '98	1
27	503.30.027.000	CLUTCH OUTS.COVER GASKET 1MM	1
30	0015 060403	HH COLLAR SCREW M 6X40 WS=8	3
31	0015 060353	HH COLLAR SCREW M 6X35 WS=8	6
32	0015 060553	HH COLLAR SCREW M 6X55 WS=8	1
33	0015 060253	HH COLLAR SCREW M 6X25 WS=8	4
34	0015 060653	HH COLLAR SCREW M 6X65 WS=8	2
52	503.35.052.000	WATER PUMP COVER 125/200 '98	1
60	503.32.095.001	TUBE VINNYLAN 6X8,2 BLACK	0,4
90	490.30.090.000	DOWEL 9,8 X 7 X 10	4

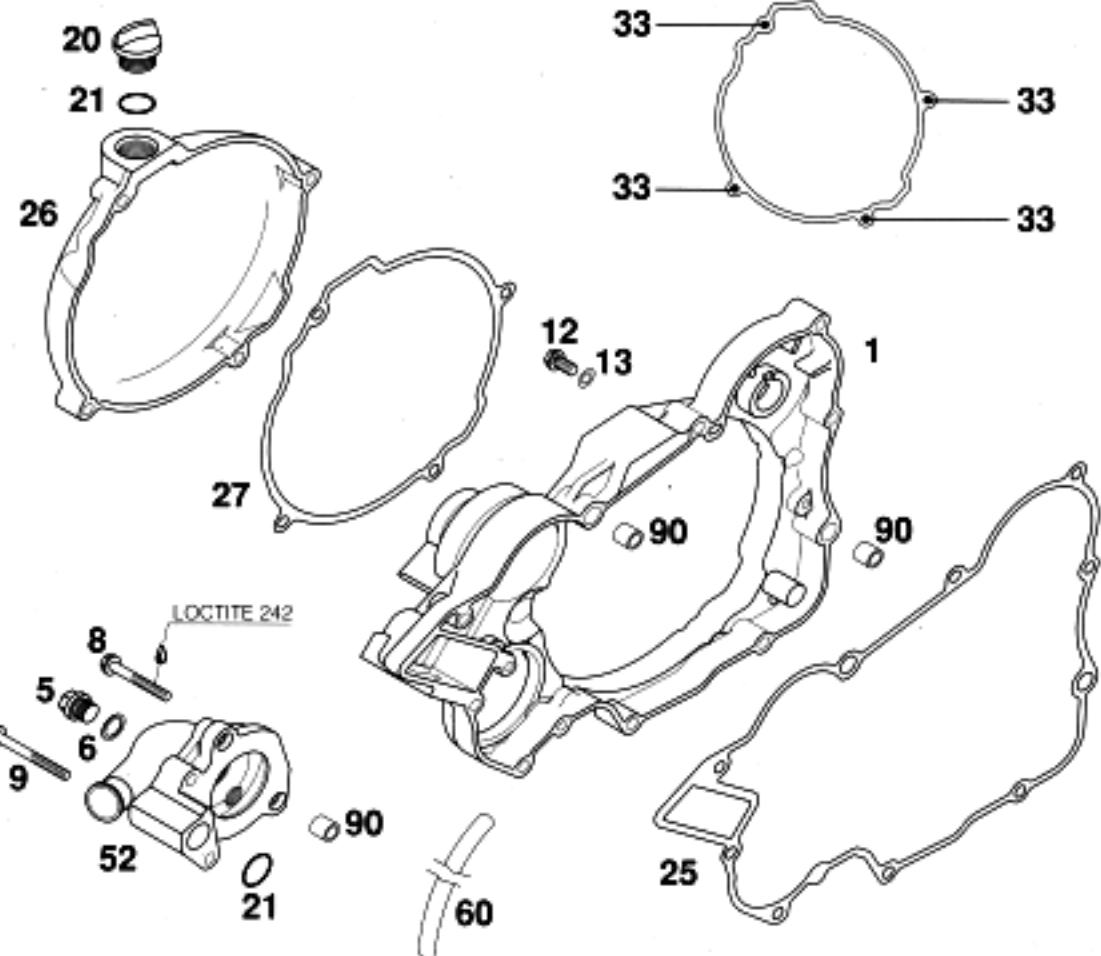
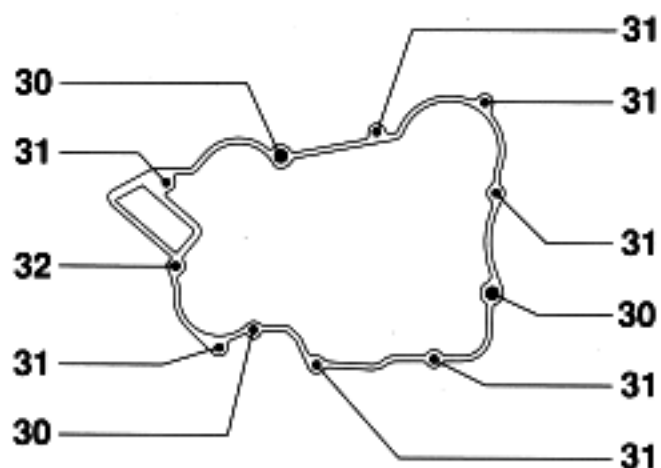


FIG	TEILNR/PARTNR	DESCRIPTION	QTY
1	503.30.001.044	CLUTCH COVER CPL. 125/200'98	1
5	0910 100003	PLUG DIN0910-M10X1	1
6	420.13.226.000	CU-SEAL RING DIN7603-10X16X1	1
8	0015 060353	HH COLLAR SCREW M 6X35 WS=8	2
9	0015 060503	HH COLLAR SCREW M 6X50 WS=8	2
12	0015 060123	HH COLLAR SCREW M 6X12 WS=8	1
13	0603 061001	CU-SEAL RING DIN7603- 6X10X1	1
20	580.30.020.000	PLUG M24 X 3	1
21	0770 160030	O-RING 16,00X3,00 NBR 70	2
25	503.30.025.000	CLUTCH COVER GASKET 0,5MM	1
26	503.30.026.000	CLUTCH OUTSIDE COVER '98	1
27	503.30.027.000	CLUTCH OUTS.COVER GASKET 1MM	1
30	0015 060403	HH COLLAR SCREW M 6X40 WS=8	3
31	0015 060353	HH COLLAR SCREW M 6X35 WS=8	7
32	0015 060553	HH COLLAR SCREW M 6X55 WS=8	1
33	0015 060253	HH COLLAR SCREW M 6X25 WS=8	4
52	503.35.052.000	WATER PUMP COVER 125/200 '98	1
60	503.32.095.001	TUBE VINNYLAN 6X8,2 BLACK	0,4
90	490.30.090.000	DOWEL 9,8 X 7 X 10	4

ACHTUNG !
Bei Bestellung von Getrieberädern, Markierung beachten.

CAUTION !
When you order transmission gears, check marking.

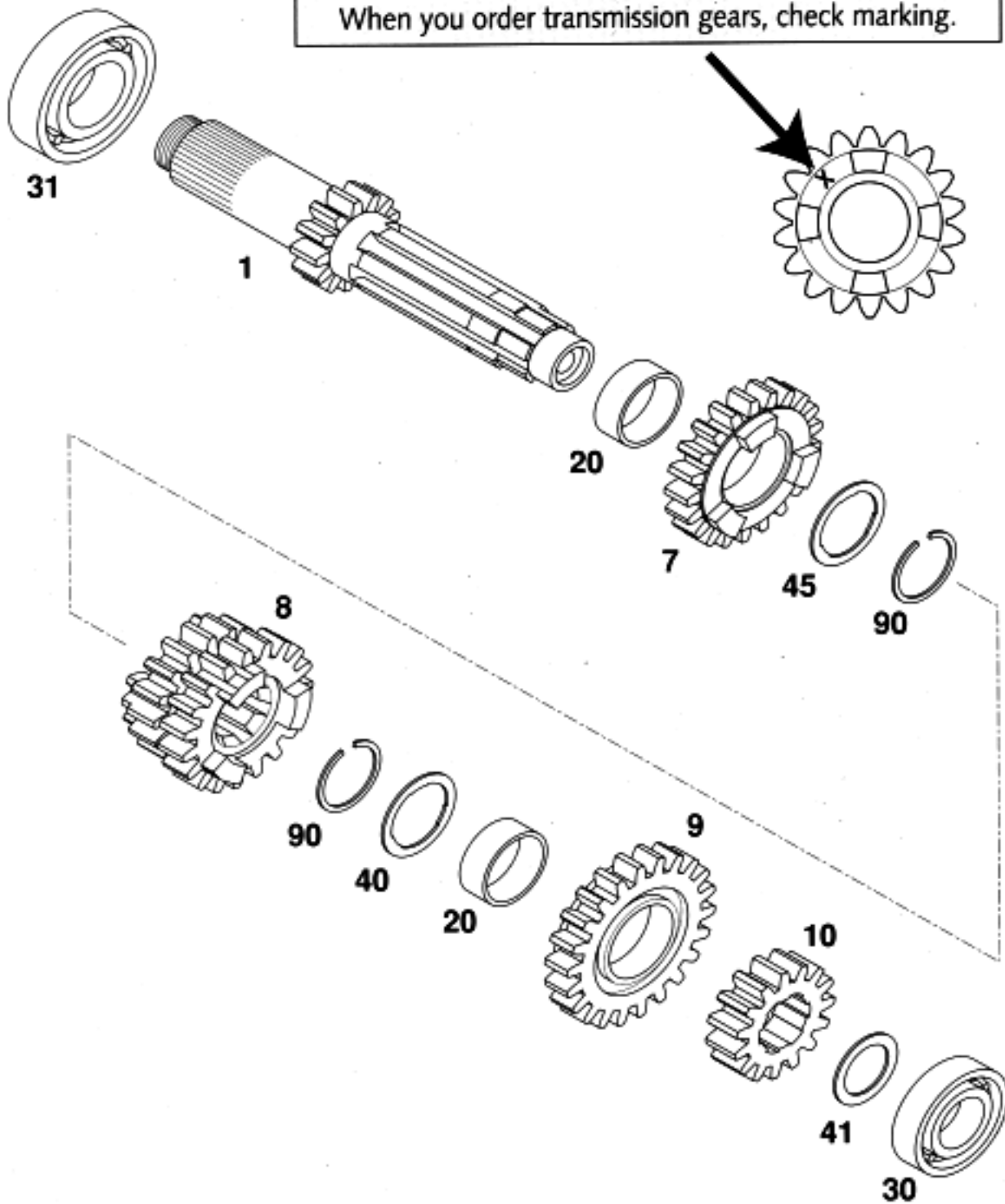


FIG	TEILNR/PARTNR	DESCRIPTION	QTY
1	503.33.001.144	MAIN SHAFT CPL. 12-T '98	1
1	503.33.001.044	MAIN SHAFT CPL. 13-T '98	1
7	503.33.007.000	IDLER G.5TH G.21-T „5S21“ '98	1
7	523.33.007.000	IDLER G.5TH G.17-T „5G17“ '99	1
8	503.33.008.000	SLIDING GEAR 3/4.GEAR 17/19-T „3S17“ - „4S19“	1
9	503.33.009.000	IDLER G.6TH G.22-T „6S22“ '98	1
9	503.33.009.100	IDLER G.6TH G.20-T „6G20“ '98	1
9	503.33.009.300	IDLER G.6TH G.22-T „6G22“ '98	1
10	503.33.010.000	SOLID GEAR 2ND GEAR 15-T '98	1
20	503.33.020.000	IDLER GEAR BUSHING 22X25X11,1	2
30	0625 060031	BALL BEARING 6003 TNH C3	1
31	0625 060041	BALL BEARING 6004 TNH C3	1
40	503.33.040.000	STOP DISC 22,2X27,8X1 A	1
41	503.33.041.000	STOP DISC 17,2X26X1 B	1
45	503.33.045.000	STOP DISK 22,2X27,8X1	1
90	501.33.090.000	LOCK RING 22X1,2	2

ACHTUNG !
Bei Bestellung von Getrieberädern, Markierung beachten.

CAUTION !
When you order transmission gears, check marking.

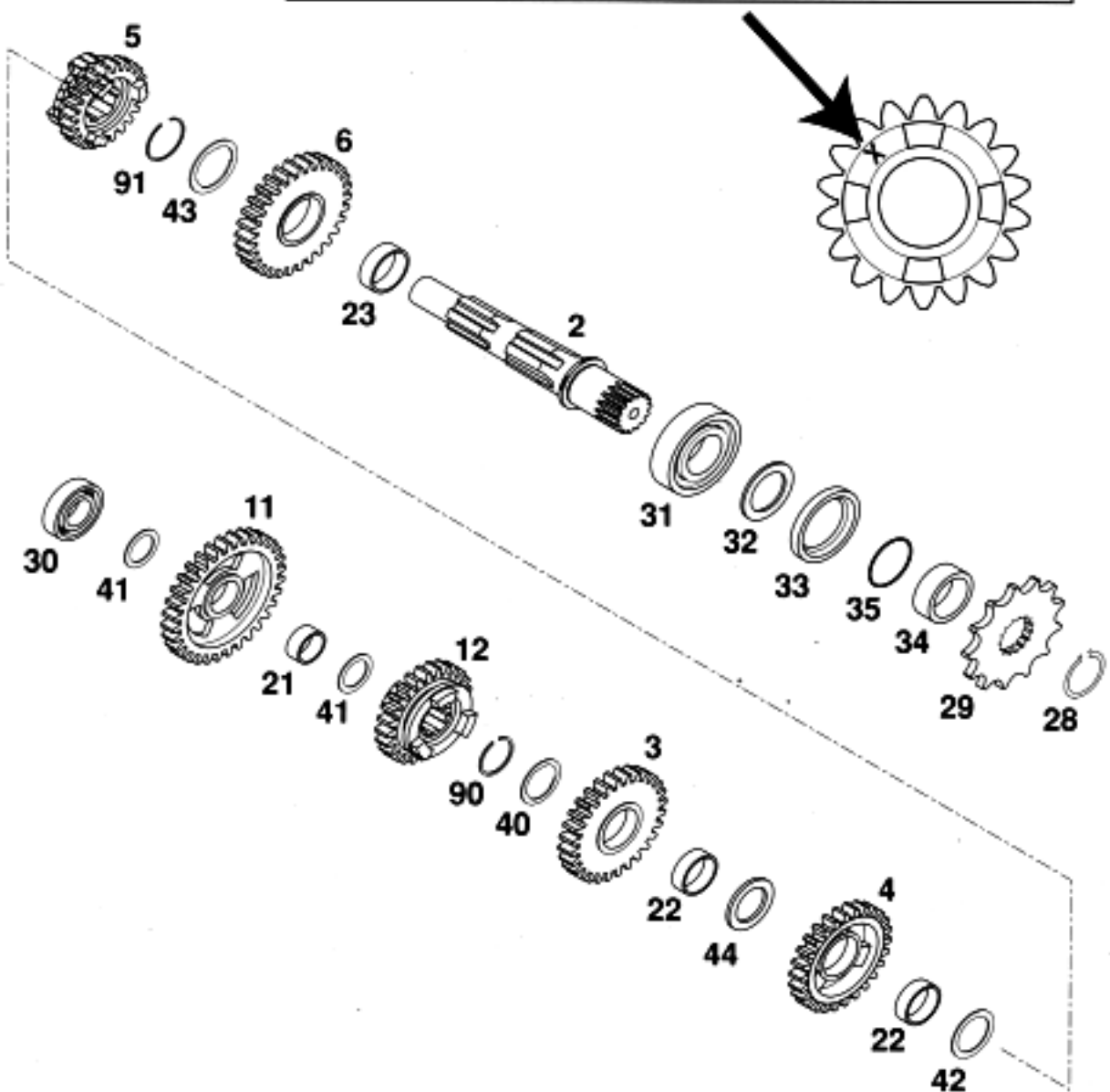


FIG	TEILNR/PARTNR	DESCRIPTION	QTY
2	503.33.002.000	COUNTER SHAFT 125/200 '98	1
3	503.33.003.000	IDLE G.3RD G.28-T „3S28“ '98	1
4	503.33.004.000	IDLE G.4TH G.26-T „4S26“ '98	1
5	503.33.005.000	SLIDING G.6TH G.24-T“6S24“ '98	1
5	503.33.005.100	SLIDING G.6TH G.20-T“6G20“ '98	1
5	503.33.005.200	SLIDING G.6TH G.23-T“6S23“ '98	1
5	503.33.005.300	SLIDING G.6TH G.20-T“6E20“ '98	1
6	503.33.006.000	IDLER G. 2ND G. 30-T“2S30“ '98	1
6	503.33.006.100	IDLER G. 2ND G. 31-T“2G31“ '98	1
11	503.33.011.000	IDLER G. 1ST G. 32-T“1S32“ '98	1
11	503.33.011.300	IDLER G. 1ST G. 33-T“1G33“ '98	1
12	503.33.012.000	SLIDING G.5TH G.25-T“5S25“ '98	1
12	523.33.012.000	SLIDING G.5TH G.19-T“5G19“ '99	1
21	503.33.021.000	IDLER GEAR BUSHING 17X20X9,7 B	1
22	503.33.022.000	IDLER GEAR BUSHING 22X25X8,1 C	2
23	503.33.023.000	IDLER GEAR BUSHING 25X28X9,7 D	1
28	520.33.096.000	LOCK RING DIN0471-25X1,64SD	1
29	500.33.029.013	SPROCKET 13-T	1
29	500.33.029.014	SPROCKET 14-T	1
29	500.33.029.015	SPROCKET 15-T	X
30	0625 060031	BALL BEARING 6003 TNH C3	1
31	0625 062058	BALL BEARING 6205 TN9.C3	1
32	560.33.020.000	STOP RING	1
33	0760 324565	SHAFT SEAL RING 32X45X6,5 BTSL	1
34	546.33.014.100	SPACER BUSHING 12 MM	1
35	0770 020220	O-RING 25,12X1,78 NBR70	1
40	503.33.040.000	STOP DISC 22,2X27,8X1 A	1
41	503.33.041.000	STOP DISC 17,2X26X1 B	2
42	503.33.042.000	STOP DISK 22,2X28X1 C	1
43	503.33.043.000	STOP DISC 25,2X32X1	1
44	503.33.044.000	STOP DISC 22,2X30X2,5	1
90	501.33.090.000	LOCK RING 22X1,2	1
91	520.33.090.100	LOCK RING 25X1,2	1

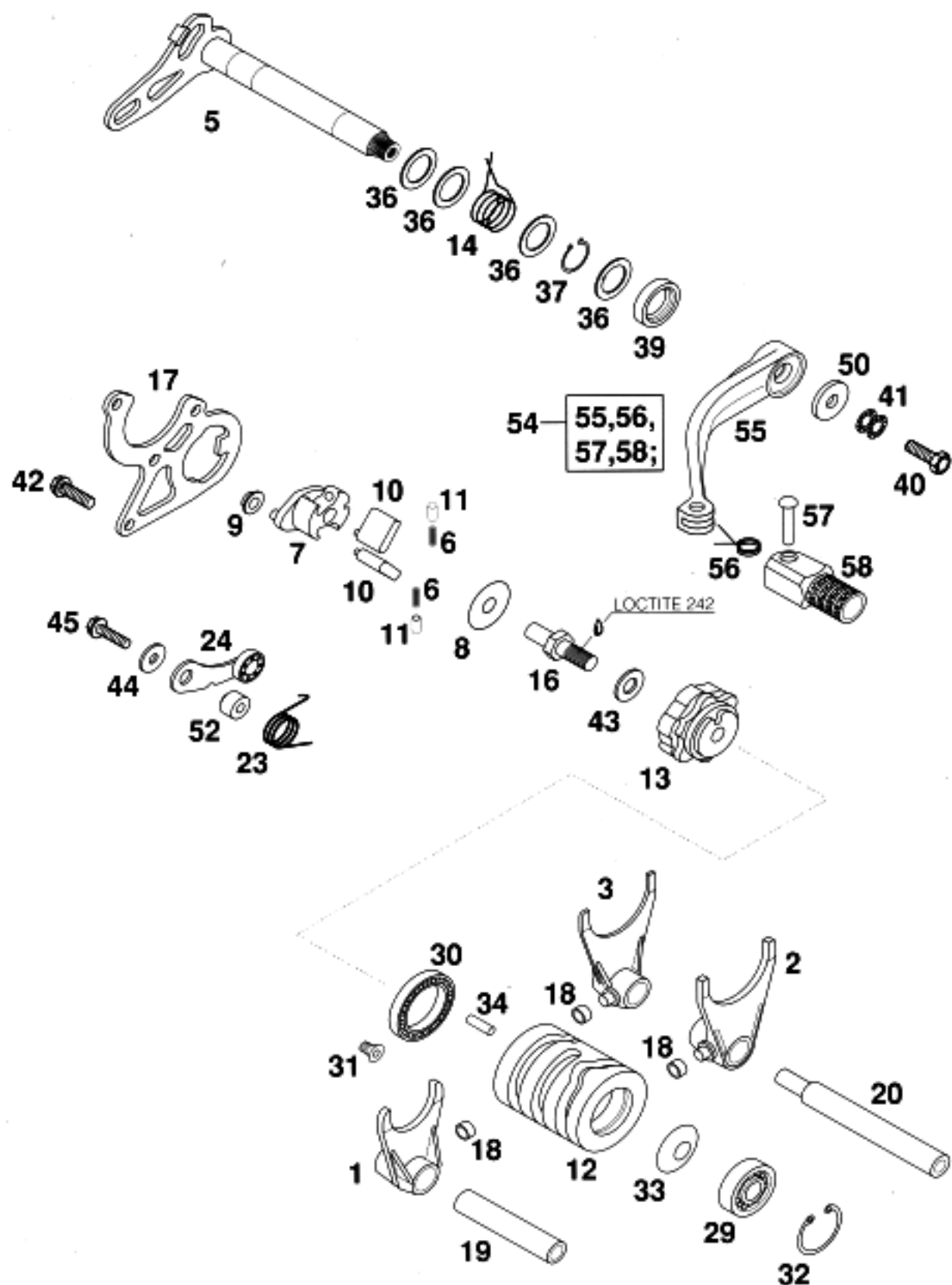


FIG	TEILNR/PARTNR	DESCRIPTION	QTY
1	503.34.001.000	SHIFTING FORK 5TH/6TH GEAR '98	1
2	503.34.002.000	SHIFTING FORK 2ND/4TH GEAR '98	1
3	503.34.003.000	SHIFTING FORK 1ST/3RD GEAR '98	1
5	503.34.005.000	SHIFTING SHAFT 125/200'98	1
6	503.34.007.052	SPRING FOR RATCHET 0,5X11,5'98	2
7	503.34.007.000	RATCHET SUPPORT 125/200'98	1
8	503.34.007.054	STOP DISK 8,2X26X0,7	1
9	503.34.007.053	BUSHING 6X8X12X4,5 '98	1
10	503.34.007.050	SHIFTING RATCHET 125/200'98	2
11	503.34.007.051	PRESSURE END PAD 4,1X5,6X8,4	2
12*	503.34.012.100	SHIFTING DRUM ALU 125/200'00	1
13	503.34.013.000	LOCATING DRUM 125/200'98	1
14	503.34.014.000	RETURN SPRING 3MM 125/200'98	1
16	503.34.016.000	SPECIAL SCREW LOCATING DRUM M8	1
17	503.34.017.000	SHIFT. COULISSE 3MM 125/200'98	1
18	503.34.018.100	SHIFTING ROLLER 6X8X5,2 '98	3
19	503.34.019.000	SHIFTING ROD DRIVE 11,8X67,5	1
20	503.34.020.000	SHIFT. ROD DRIVE END 11,8X94,5	1
23	503.34.023.000	LOCATING LEVER SPRING 2,5MM'98	1
24	503.34.024.044	LOCATING LEVER CPL. 125/200'98	1
29	0625 060006	BALL BEARING 6000 RS1.C3	1
30	0625 618050	BALL BEARING 61805 C3	1
31*	0991 050102	FLAT HEAD SCREW DIN7991-M 5X10	1
32	0472 260120	LOCK RING DIN0472-26X1,2	1
33	0093 251209	SPRING WASHER 12,2X25X0,9	1
34	0402 040980	NEEDLE ROL.DIN5402 NRB 4X 9,8	1
36	490.33.031.000	STOP DISK 14,3X20X1	X
37	0471 140100	LOCK WASHER DIN0471-14X1	1
39	0760 142460	SHAFT SEAL RING 14X24X6 B	1
40	0933 060165	HH SCREW DIN0933-M 6X16	1
41	502.33.041.000	PAIR OF WASHERS M6 NORDLOCK	1
42	0015 060203	HH COLLAR SCREW M 6X20 WS=8	3
43	0125 080003	WASHER DIN0125-A 8,4	1
44	0125 050003	WASHER DIN0125-A 5,0	1
45	0015 050203	HH COLLAR SCREW M 5X20 WS=8	1
50	502.32.050.001	STEEL WASHER 6X17X3	1
52	546.34.052.300	SLEEVE FOR LOCKING LEVER	1
54	546.34.031.044	SHIFT LEVER CPL. 2-STROKE	1
56	546.34.032.100	SHIFTING LEVER SPRING 250	1
57	546.34.031.050	BOLT 6X25 FOR SHIFT LEVER	1
58	546.34.131.000	STEP PLATE FOR SHIFT LEVER	1

RF / AS REQUIRED

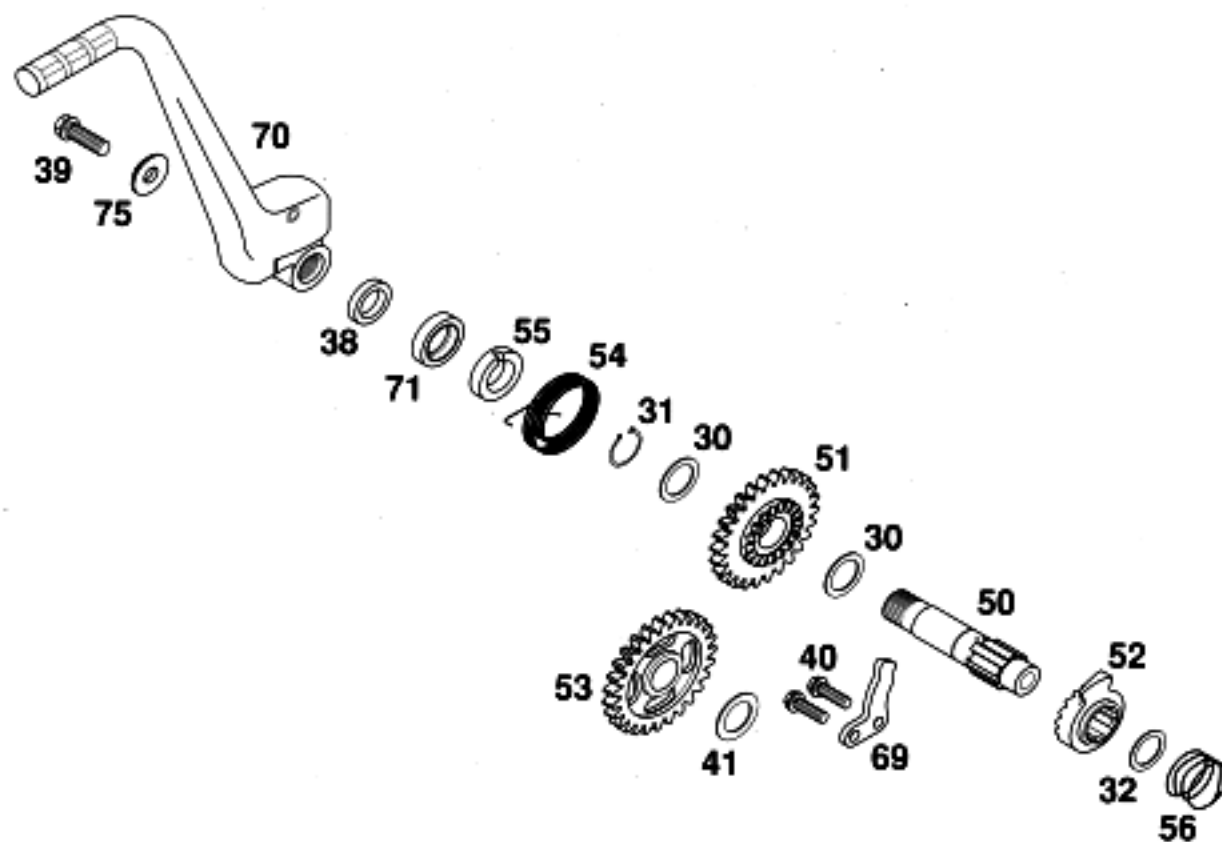


FIG	TEILNR/PARTNR	DESCRIPTION	QTY
30	503.33.030.000	STOP DISK 17,2 X 24 X 1	2
31	0471 170010	CIRCLIP DIN0471-17X1	1
32	0988 162210	THRUST WASHER DIN0988-16X22X1	1
38*	503.33.038.100	SPACER BUSHING 16X23X26X6,1	1
39	0015 080203	HH COLLAR SCREW M 8X20 WS=10	1
40	0015 060163	HH COLLAR SCREW M 6X16 WS=8	2
41	503.33.041.000	STOP DISC 17,2X26X1 B	1
50	503.33.050.000	KICKSTARTER SHAFT 125/200'98	1
51	503.33.051.026	KICKSTART.GEAR 26-Z 125/200'98	1
52	503.33.052.000	KICKSTARTER RATCHET 125/200'98	1
53	503.33.053.027	INTERMEDIATE GEAR 27-T '98	1
54	503.33.054.000	KICKSTARTER SPRING 2,6MM '98	1
55	503.33.055.000	DRIVING HUB 125/200'98	1
56	503.33.056.000	SPRING 1,4MM '98	1
69	503.33.069.000	STOP MET.SHEET 4MM 125/200'98	1
70	503.33.070.044	KICKSTARTER CPL. 125/200'98	1
71	0760 172870	SHAFT SEAL RING 17X28X7 B	1
75	503.33.075.000	WASHER 8,2X22X4,5 '98	1

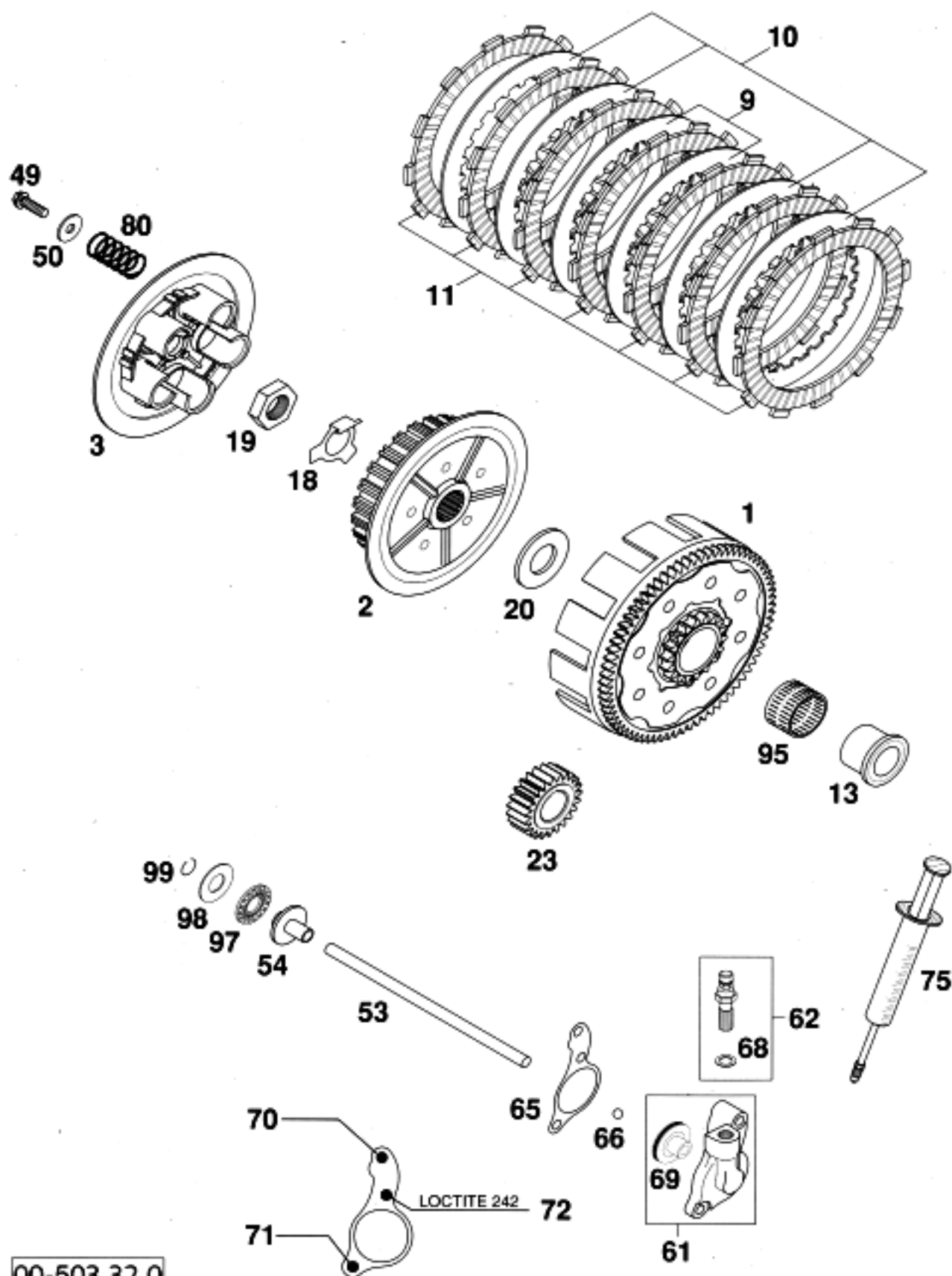


FIG	TEILNR/PARTNR	DESCRIPTION	QTY
1	503.32.000.073	CLUTCH 73-Z/18-Z 125/200'98 WITHOUT PRIMARY PINION	1
2	503.32.002.000	INNER CLUTCH HUB 125/200'98	1
3	503.32.003.000	PRESSURE PLATE 125/200'98	1
9	503.32.010.100	INTERMEDI. DISC STEEL 1,5MM'98	2
10	503.32.010.000	INTERMEDIATE DISC ALU 1,5MM'98	4
11	503.32.011.000	ORGANIC DISK 3MM '98	7
13	503.32.013.000	INNER RING 20X26X34X25,9 '98	1
18	503.32.018.000	SHEET METAL LOCK 1,5MM '98	1
19	0936 181505	HEXAGON NUT DIN0936-M18X1,5 R.	1
20	503.32.020.000	STOP DISK 20X39,6X3 '98	1
23	503.32.023.023	PRIMARY PINION 23-T 125/200'98	1
49	0015 060203	HH COLLAR SCREW M 6X20 WS=8	5
50	502.32.050.000	WASHER 6,2 X 18 X 2	5
53	503.32.017.200	PUSH ROD L=179MM 125/200'98	1
54	503.32.054.051	PRESSURE PIECE 125-380 '98	1
61	503.32.061.044	CYLINDER CPL. 125/200'98	1
62	503.32.062.000	HOLLOW SCREW CPL. M10X1 '98	1
65	503.32.065.051	CLUTCH RELEASE GASKET 0,3MM	X
65	503.32.065.052	CLUTCH RELEASE GASKET 0,5MM	X
65	503.32.065.053	CLUTCH RELEASE GASKET 0,75MM	X
66	0401 070003	BALL DIN5401- 7	1
68	420.13.226.000	CU-SEAL RING DIN7603-10X16X1	1
69*	503.32.066.000	PISTON W. O-RING 125/200'2000	1
70	0015 060403	HH COLLAR SCREW M 6X40 WS=8	1
71	0015 060203	HH COLLAR SCREW M 6X20 WS=8	1
72	0015 060253	HH COLLAR SCREW M 6X25 WS=8	1
75	503.29.050.000	VENT INJEKTION HYDR. CLUTCH	1
80	503.32.005.000	CLUTCH SPRING 2,3X39,5 125'98	5
80	523.32.005.000	CLUTCH SPRING 2,4X40 200'98	5
95	565.32.095.000	NEEDLE BEARING K26X30X22ZW.KSE	.1
97	546.37.097.200	AXIAL NEEDLE BEARING 1226 AXK	1
98	546.37.098.200	AXIAL WASHER AS1226 12X26X1	1
98	546.37.098.300	AXIAL WASHER 12,5X25,8X1,5	X
99	0993 012000	CIRCLIP DIN7993A-RW12	1

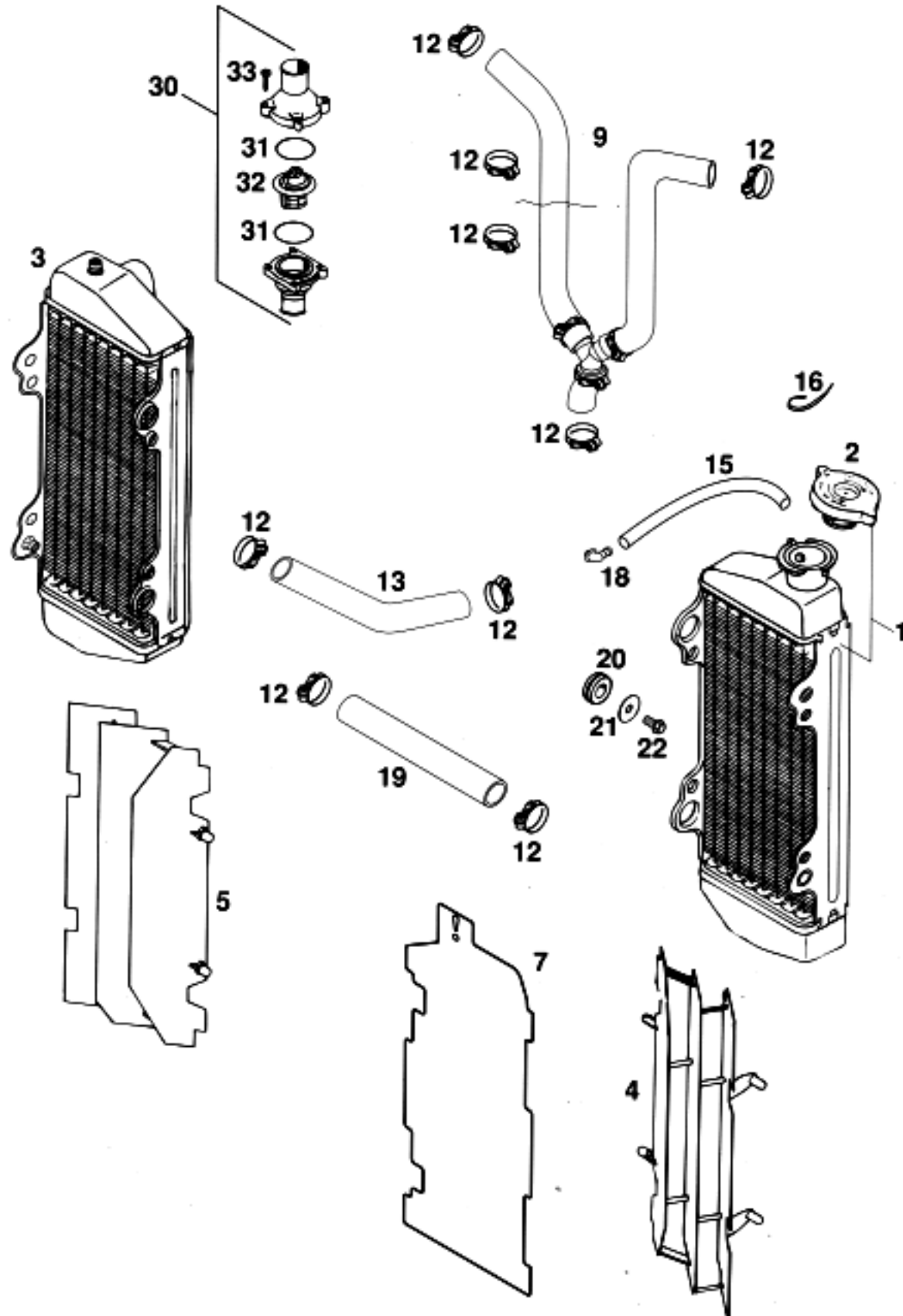


FIG	TEILNR/PARTNR	DESCRIPTION	QTY
1	503.35.007.000	RADIATOR L/S NATURE (45286)'98	1
2	580.35.016.000	RADIATOR CAP SMALL 1,4 BAR	1
3	503.35.008.000	RADIATOR R/S NATURE (45285)'98	1
4	546.35.034.200	RADIATOR PROTECT. L/S WHITE'95	1
5	546.35.134.200	RADIATOR PROTECT. R/S WHITE'95	1
7	503.35.033.000	COVER FOR RADIATOR L/S BLACK FOR WINTER OPERATION	1
9	503.35.026.000	RADIATOR HOSE CPL. 125-380'98	1
12	100.01.020.000	HOSE CLAMP GEMI 16/27	X
13	503.35.027.000	RADIATOR HOSE 18X25 125/200'98	1
15	550.07.016.001	PVC-HOSE 7X10 PER METER	0,2
16	440.11.076.200	CABLE TIE 200MM	X
18	503.03.089.000	ANGEL PIECE '97	1
19	565.35.025.001	RADIATOR HOSE 18X25 PER METER	0,175
20	410.01.052.000	RADIATOR - RADIATOR	
21	0021 060003	RUBBER SLEEVE D=12MM	4
22	0015 060123	WASHER DIN9021-A 6,4	4
30	546.35.013.144	HH COLLAR SCREW M 6X12 WS=8	4
31	0770 320020	THERMOSTATCASE CPL. 55DEG. '98	1
32	546.35.017.000	O-RING 32,00X2,00	2
33	0016 040183	THERMOSTAT 55 DEGREES '94	1
		PLASTIC SCREW KB40X18 WN1412	4

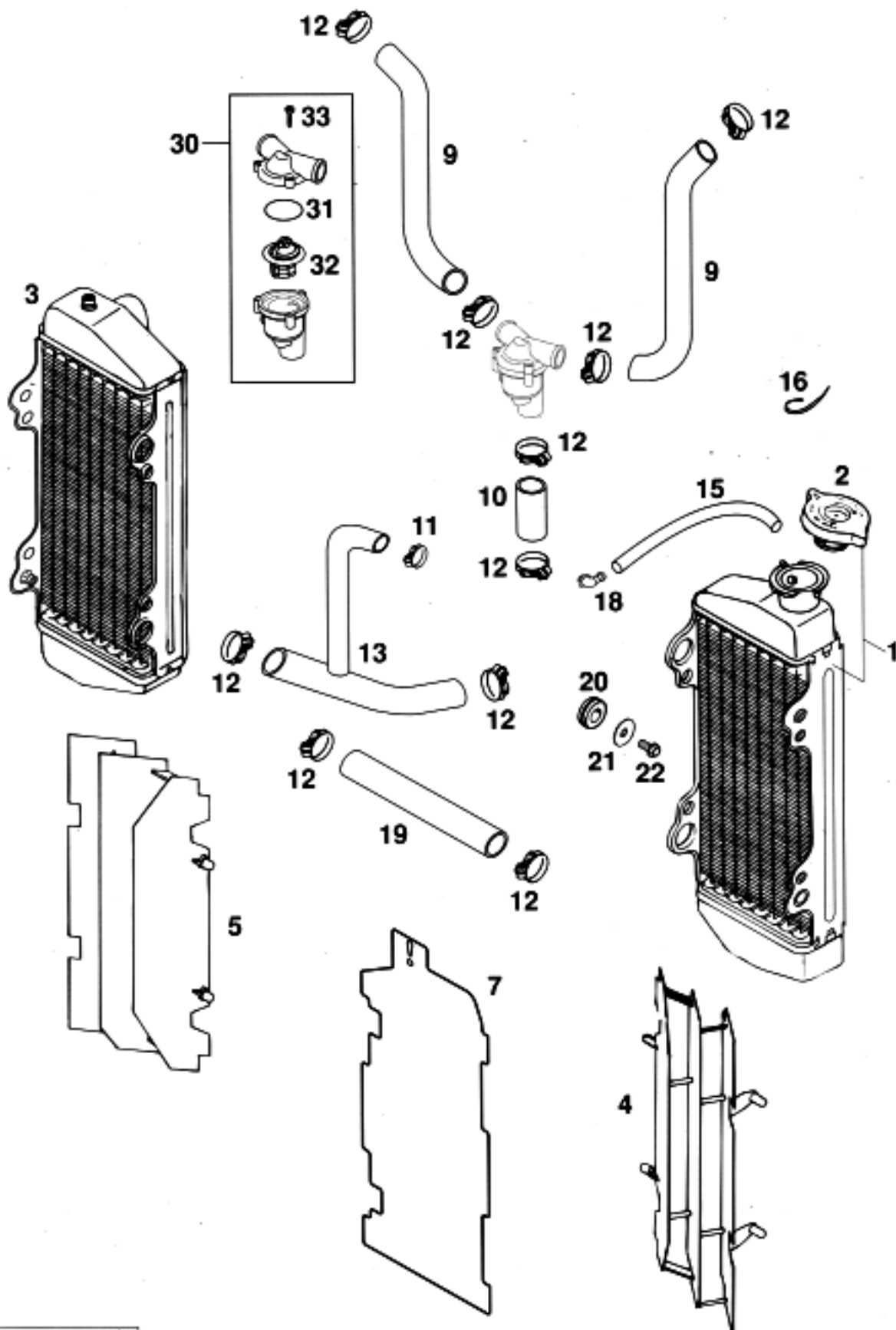
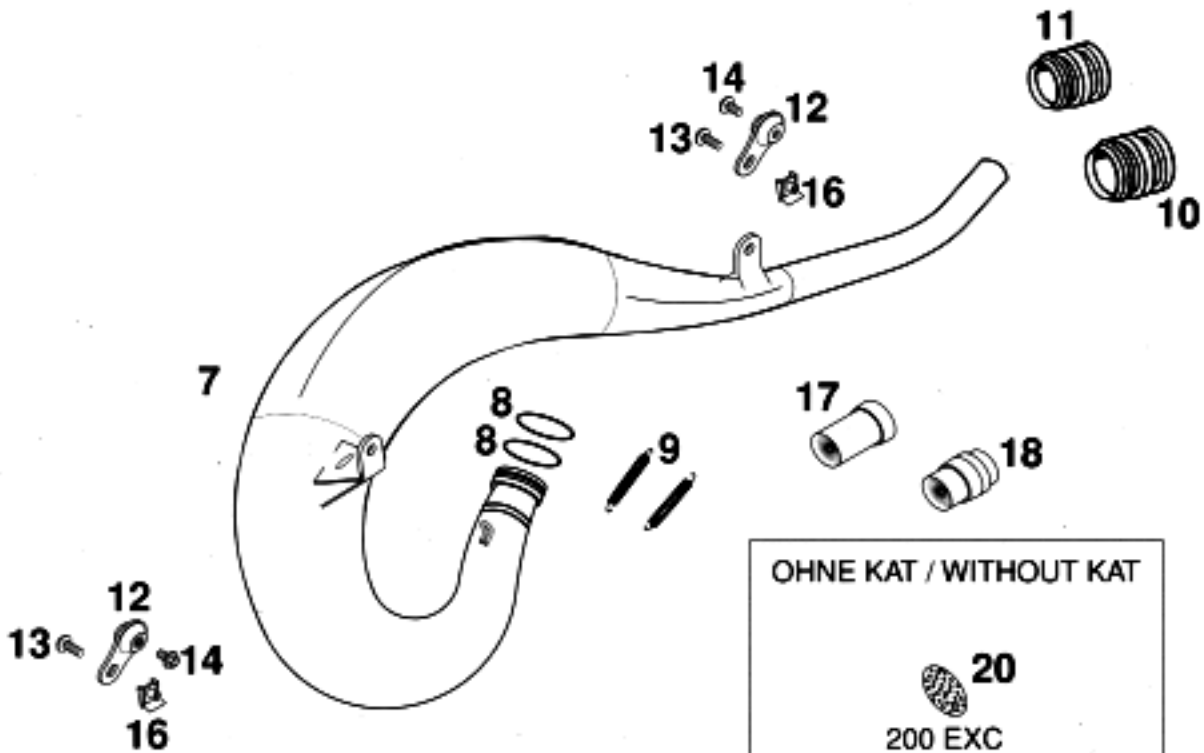


FIG	TEILNR/PARTNR	DESCRIPTION	QTY
1	503.35.007.000	RADIATOR L/S NATURE (45286)'98	1
2	580.35.016.000	RADIATOR CAP SMALL 1,4 BAR	1
3	503.35.008.000	RADIATOR R/S NATURE (45285)'98	1
4	546.35.034.200	RADIATOR PROTECT. L/S WHITE'95	1
5	546.35.134.200	RADIATOR PROTECT. R/S WHITE'95	1
7	503.35.033.000	COVER FOR RADIATOR L/S BLACK FOR WINTER OPERATION	1
9	503.35.026.100	RADIATOR HOSE 125/200'99	2
10	565.35.025.001	RADIATOR HOSE 18X25 PER METER	0,04
11	583.35.099.000	HOSE CLAMP GEMI 10-16	1
12	100.01.020.000	HOSE CLAMP GEMI 16/27	10
13	503.35.027.100	PREFORMED HOSE WAPU-RADIATOR	1
15	550.07.016.001	PVC-HOSE 7X10 PER METER	0,2
16	440.11.076.200	CABLE TIE 200MM	X
18	503.03.089.000	ANGEL PIECE '97	1
19	565.35.025.001	RADIATOR HOSE 18X25 PER METER RADIATOR - RADIATOR	0,175
20	410.01.052.000	RUBBER SLEEVE D=12MM	4
21	0021 060003	WASHER DIN9021-A 6,4	4
22	0015 060123	HH COLLAR SCREW M 6X12 WS=8	4
30	547.35.013.044	THERMO.CASE CPL. 55DG EGS'99	1
31	0770 320020	O-RING 32,00X2,00	1
32	546.35.017.000	THERMOSTAT 55 DEGREES '94	1
33	0016 040183	PLASTIC SCREW KB40X18 WN1412	3

FIG	TEILNR/PARTNR	DESCRIPTION	QTY
7*	503.05.007.000	EXHAUST PIPE NICKEL 125 2000 125 SX	1
7*	523.05.008.200	EXHAUST PIPE NICKEL 200 2000 200 MXC	1
7*	503.05.009.100	EXHAUST PIPE NI. „KTM503“ 2000 125 EXC	1
7*	523.05.009.100	EXHAUST PIPE NI. „KTM523“ 2000 200 EXC	1
9	503.05.016.000	TENSION SPRING L=55MM	2
8*	0770 440030	O-RING 44,00X3,00 VITON	2
10	546.05.057.000	RUBBER SLEEVE D=21MM/23MM '93	1
11	546.05.157.000	SILICON SLEEVE D=25/27MM	1
12	503.05.012.000	SWINGELEMENT FOR EX.PIPE '98	2
13	0014 060153	HH COLLAR SCREW M 6X15 WS=8	2
14	0014 060103	HH COLLAR SCREW M 6X10 WS=8	2
16	546.03.048.100	RANGE CHANGE METAL NUT M6	2
17*	503.05.001.100	THROTTLE EXH. KAT 125 EXC 2000	1
18*	523.05.001.100	THROTTLE EXH. KAT 200 EXC 2000	1
20	523.05.001.000	THROTTLE EXHAUST 200 EGS '98	1



OHNE KAT / WITHOUT KAT

20
200 EXC

NUR FÜR AUSTRALIEN
ONLY FOR AUSTRALIA

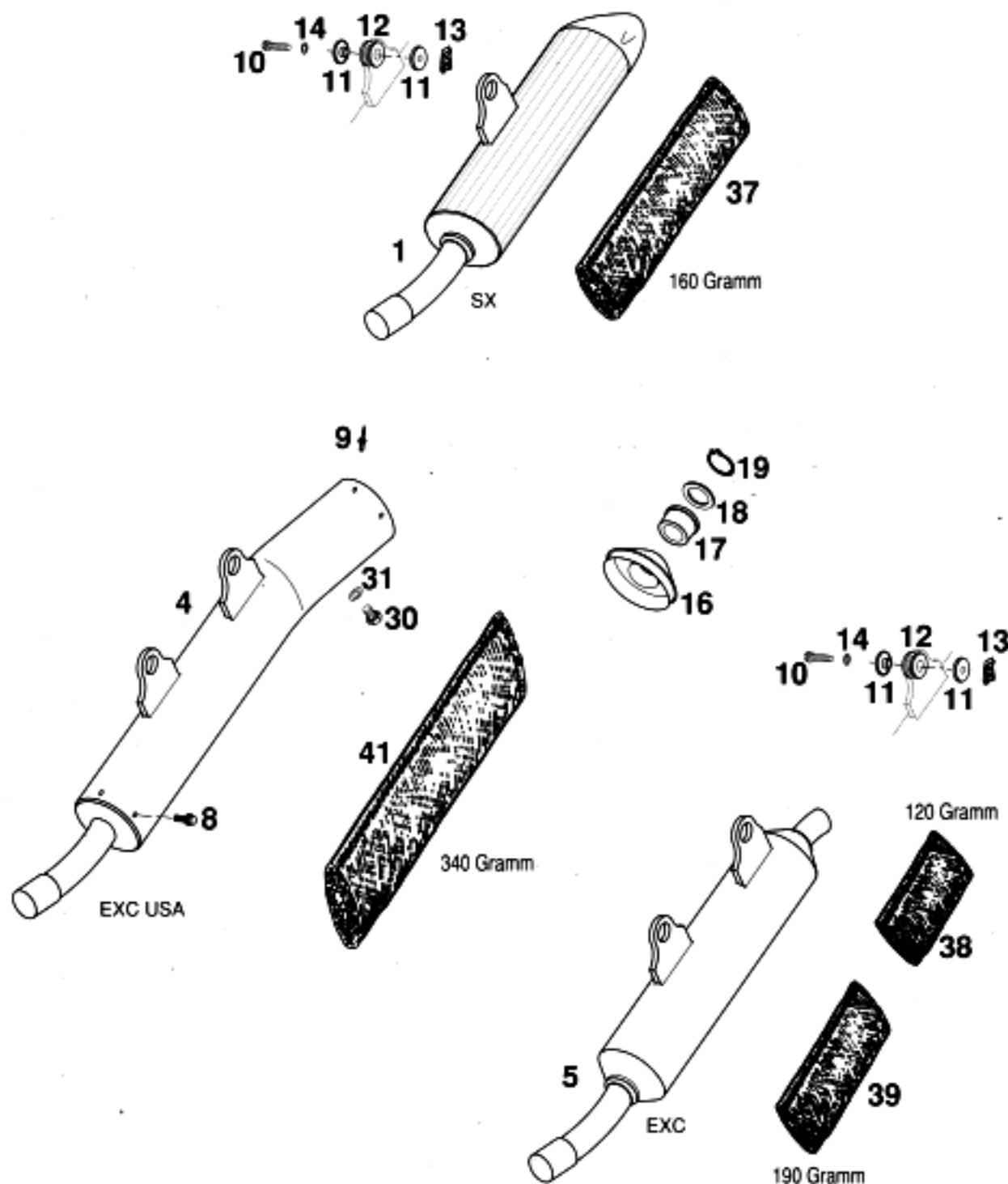


FIG	TEILNR/PARTNR	DESCRIPTION	QTY
1*	503.05.079.100	EXH. SILENCER 125 SX ALU 2000	1
4*	503.05.082.100	EX.SILENCER 125MXC/EXC USA2000 WITH SPARK ARRESTOR	1
5	503.05.083.000	EXHAUST SILENCER 125 EGS '98 „KTM EGS2“	1
8	0009 050103	SPECIAL SCREW M 5,0X10	4
9	0011 481030	RIVET 4,8X10,3 ALU	4
10	0015 060303	HH COLLAR SCREW M 6X30 WS=8	1(2)
11	546.05.069.000	BUSHING 7,5X12X28X7,8 '96	2(4)
12	546.05.068.000	EXHAUST BRACKET RUBBER BLACK	1(2)
13	546.03.048.100	RANGE CHANGE METAL NUT M6	1(2)
14	0137 060000	SPRING WASHER DIN0137-B 6	1(2)
16	546.05.379.549	SILENCER CAP PLASTIC	2
16	547.05.179.070	SILENCER END CAP ALU	X
17	546.05.379.028	SEAL RING VITON D=28MM	2
18	546.05.079.047	WASHER D=28 MM	1
19	0471 280151	CIRCLIP DIN0471-28X1,5 NIRO	1
30	0910 100003	PLUG DIN0910-M10X1	1
31	580.38.032.010	CU-SEAL RING DIN7603-10X14X1	1
37*	503.05.079.160	STUFFING YARN 160 GRAMM 125 SX	1
38	580.05.078.120	STUFFING YARN 120 GRAMM 125 EXC BEHIND	1
39	580.05.078.190	STUFFING YARN 190 GRAMM 125 EXC FRONT	1
41	580.05.078.340	STUFFING YARN 340 GRAMM 125 MXC/EXC USA	1

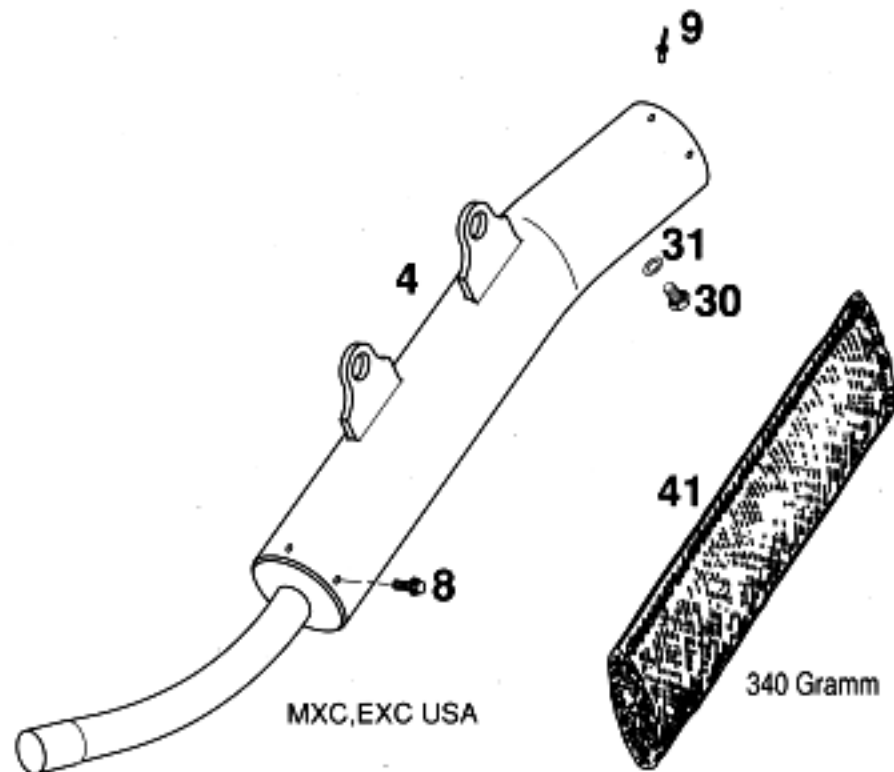
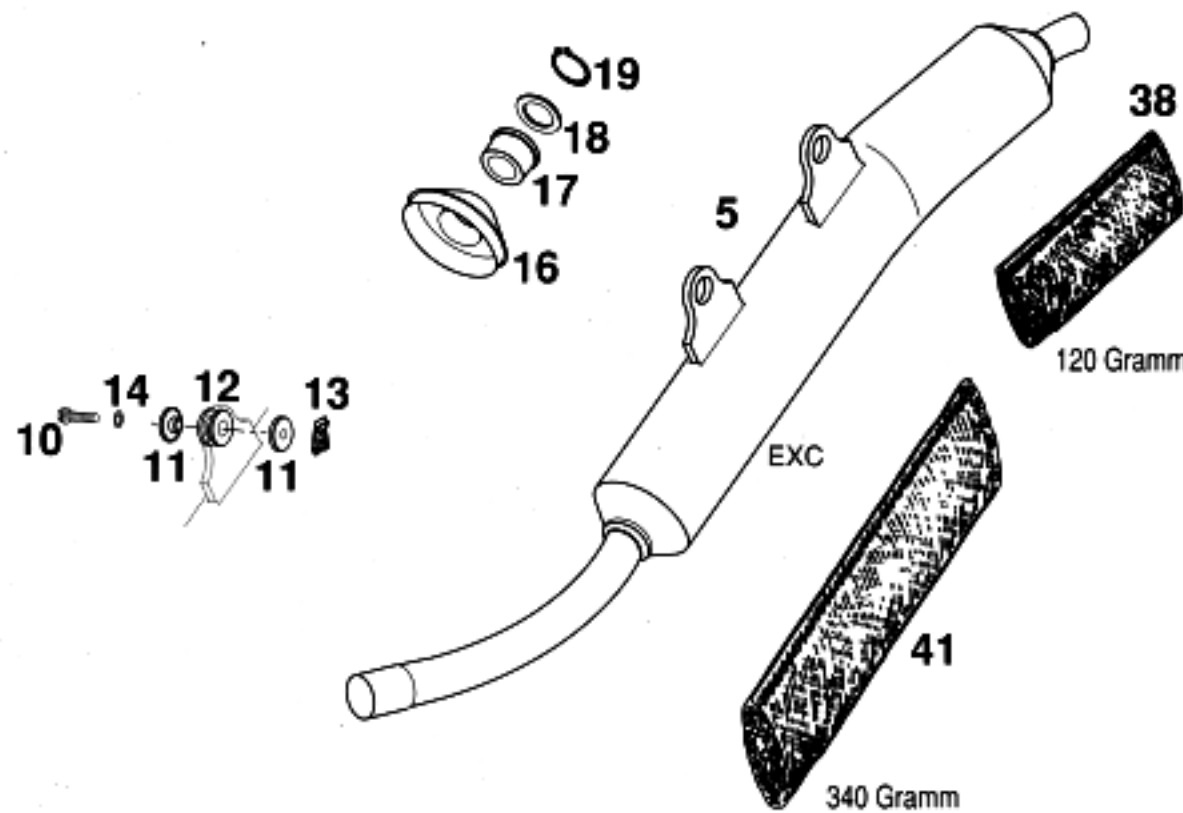


FIG	TEILNR/PARTNR	DESCRIPTION	QTY
4*	523.05.082.100	EX.SIL. 200/250/300MXC,EXC2000 WITH SPARK ARRESTOR	1
5*	523.05.083.100	EX.SILENC. 200/250/300EXC 2000 „KTM EGS1“	1
8	0009 050103	SPECIAL SCREW M 5,0X10	4
9	0011 481030	RIVET 4,8X10,3 ALU	4
10	0015 060303	HH COLLAR SCREW M 6X30 WS=8	2
11	546.05.069.000	BUSHING 7,5X12X28X7,8 '96	4
12	546.05.068.000	EXHAUST BRACKET RUBBER BLACK	2
13	546.03.048.100	RANGE CHANGE METAL NUT M6	2
14	0137 060000	SPRING WASHER DIN0137-B 6	2
16	546.05.379.549	SILENCER CAP PLASTIC	2
16	547.05.179.070	SILENCER END CAP ALU	X
17	546.05.379.028	SEAL RING VITON D=28MM	2
18	546.05.079.047	WASHER D=28 MM	1
19	0471 280151	CIRCLIP DIN0471-28X1,5 NIRO	1
30	0910 100003	PLUG DIN0910-M10X1	1
31	580.38.032.010	CU-SEAL RING DIN7603-10X14X1	1
38	580.05.078.120	STUFFING YARN 120 GRAMM 200/250/300/380 EXC BEHIND	1
41	580.05.078.340	STUFFING YARN 340 GRAMM 200/250/300/380 MXC,EXC	1

ACHTUNG !!!
Vor dem Einbau des Vergasers, Bedüsung kontrollieren.
CAUTION !!!
Before mounting the carburetor, check the jetting.

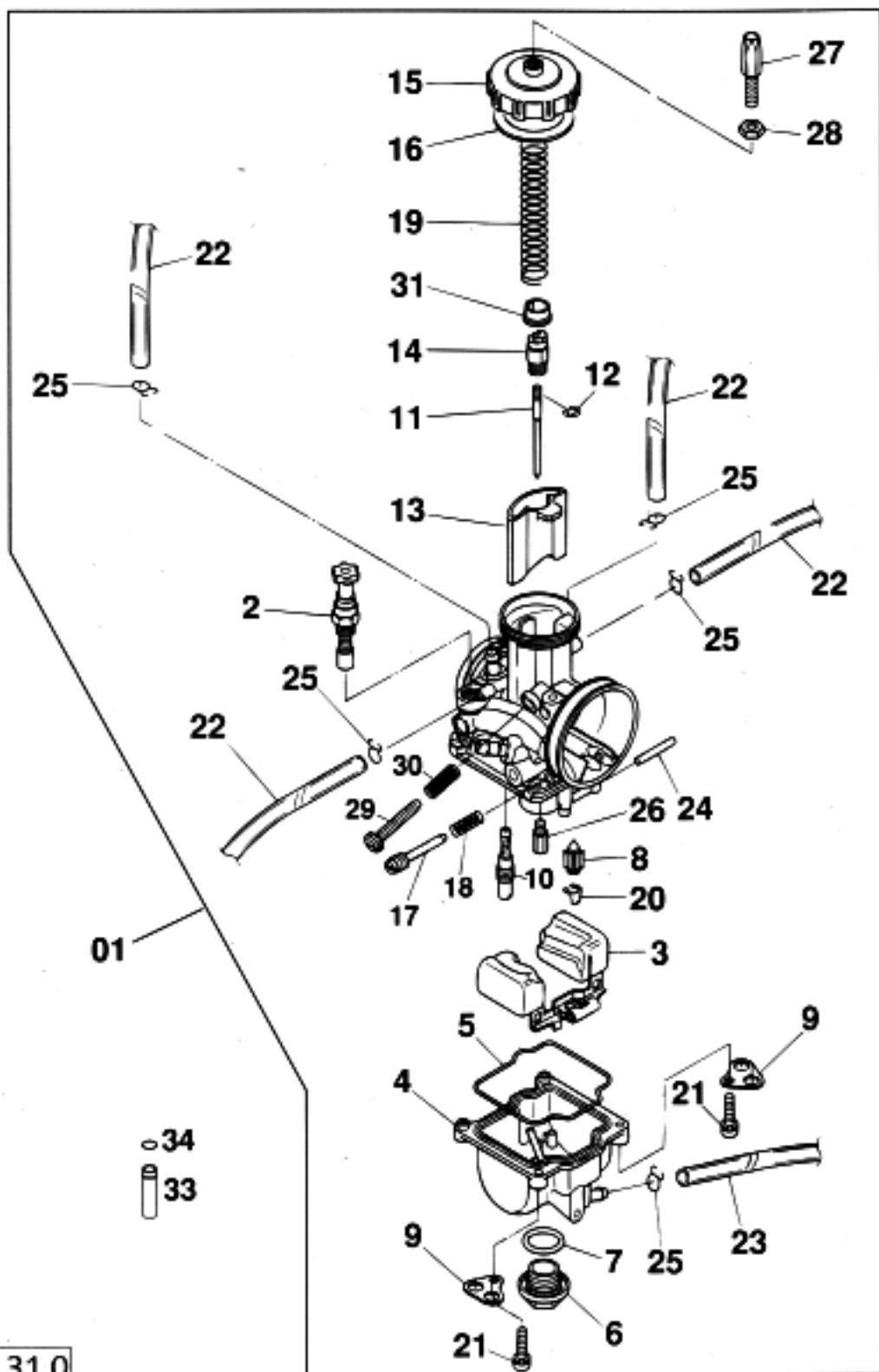


FIG	TEILNR/PARTNR	DESCRIPTION	QTY
01	503.31.001.044	CARBURETOR KEIHIN PWK 39 '98 125 SX	1
01*	503.31.001.344	CARBURET.KEIHIN PWK 38 AG'2000 125 EXC, 200 MXC/EXC	1
2	546.31.245.000	STARTER PISTON CPL.	1
3	546.31.209.000	FLOAT R-39	1
4	546.31.211.000	FLOAT CHAMBER	1
5	545.31.610.000	GASKET FLOAT CHAMBER	1
6	545.31.699.000	PLUG M18X1 KEIHIN	1
7	0770 180230	O-RING 18,00X2,30 NBR 70	1
8	546.31.220.000	FLOAT NEEDLE	1
9	545.31.612.100	RETAINING PLATE FOR BLEEDER	2
10	545.31.607.035	IDLE JET 35 KEIHIN	X
10	545.31.607.038	IDLE JET 38 KEIHIN	X
10	545.31.607.040	IDLE JET 40 KEIHIN	X
10	545.31.607.042	IDLE JET 42 KEIHIN	X
10	545.31.607.045	IDLE JET 45 KEIHIN	1
10	545.31.607.048	IDLE JET 48 KEIHIN	1
10	545.31.607.050	IDLE JET 50 KEIHIN	X
10	545.31.607.052	IDLE JET 52 KEIHIN	X
10	545.31.607.055	IDLE JET 55 KEIHIN	X
10	545.31.607.058	IDLE JET 58 KEIHIN	X
10	545.31.607.060	IDLE JET 60 KEIHIN	X
10	545.31.607.062	IDLE JET 62 KEIHIN	X
10	545.31.607.065	IDLE JET 65 KEIHIN	X
10	545.31.607.070	IDLE JET 70 KEIHIN	X
10	545.31.607.075	IDLE JET 75 KEIHIN	X
10	545.31.607.080	IDLE JET 80 KEIHIN	X
11	545.31.636.004	JET NEEDLE NOZ D KEIHIN	X
11	545.31.636.005	JET NEEDLE NOZ E KEIHIN	X
11	545.31.636.006	JET NEEDLE NOZ F KEIHIN	X
11	545.31.636.007	JET NEEDLE NOZ G KEIHIN	X
11	545.31.636.008	JET NEEDLE NOZ H KEIHIN	1
11	545.31.636.009	JET NEEDLE NOZ I KEIHIN	X
11*	545.31.634.367	JET NEEDLE R 1467 D KEIHIN	1
11*	545.31.634.368	JET NEEDLE R 1468 D KEIHIN	X
11*	545.31.634.369	JET NEEDLE R 1469 D KEIHIN	X
12	545.31.629.000	CLIP FOR JET NEEDLE	1
13	546.31.235.006	THROTTLE VALVE 6 KEIHIN	1
13*	546.31.235.055	THROTTLE VALVE 55 KEIHIN	1

ACHTUNG !!!

Vor dem Einbau des Vergasers, Bedüsung kontrollieren.

CAUTION !!!

Before mounting the carburetor, check the jetting.

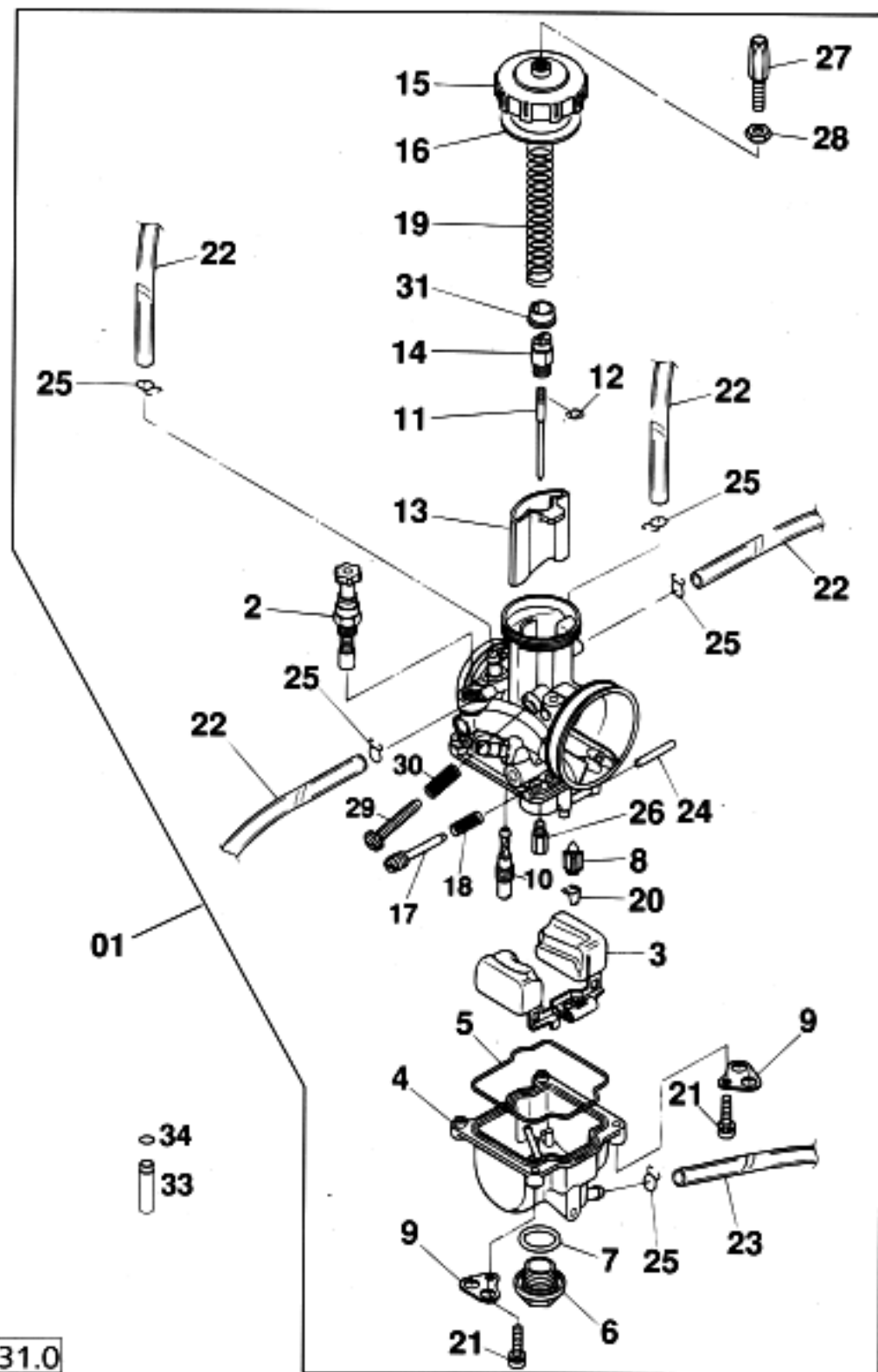


FIG	TEILNR/PARTNR	DESCRIPTION	QTY
14	546.31.232.000	NIPPLE	1
15	546.31.227.000	CARBURETOR COVER	1
16	545.31.628.000	RUBBER SEAL RING 40X46X1	1
17	545.31.617.000	ADJUSTMENT SCREW	1
18	545.31.615.000	SPRING FOR ADJUSTMENT SCREW	1
19	546.31.230.000	SLIDING SPRING	1
20	545.31.621.000	CLAMP	1
21	0016 040163	HH COLLAR SCREW M4X16 WS=6	4
22	310.07.007.101	BREATHER HOSE 4 X 6 MM	2,00
23	520.31.137.001	PVC-HOSE 3 X 6 MM	0,33
24	545.31.608.000	STUD 2,5X25	1
25	545.31.696.000	CLAMP 6 MM	X
26	545.31.623.150	MAIN JET 150 KEIHIN	X
26	545.31.623.158	MAIN JET 158 KEIHIN	X
26	545.31.623.160	MAIN JET 160 KEIHIN	X
26	545.31.623.165	MAIN JET 165 KEIHIN	X
26	545.31.623.170	MAIN JET 170 KEIHIN	X
26	545.31.623.172	MAIN JET 172 KEIHIN	X
26	545.31.623.175	MAIN JET 175 KEIHIN	X
26	545.31.623.178	MAIN JET 178 KEIHIN	X
26	545.31.623.180	MAIN JET 180 KEIHIN	1
26	545.31.623.182	MAIN JET 182 KEIHIN	X
26	545.31.623.185	MAIN JET 185 KEIHIN	X
26	545.31.623.188	MAIN JET 180 KEIHIN	X
26	545.31.623.190	MAIN JET 190 KEIHIN	1
26	545.31.623.192	MAIN JET 192 KEIHIN	X
26	545.31.623.195	MAIN JET 195 KEIHIN	X
27	545.31.625.000	ADJUSTMENT SCREW M6X0,75	1
28	520.31.126.000	HEXAGON NUT M6X0,75 DIN0439	1
29	546.31.219.100	ADJUSTMENT SCREW M5	1
30	546.31.118.000	SPRING	1
31	546.31.231.000	SPRING CAP	1
33	503.31.029.036	SLIDE STOP L=36MM	X
34	0770 060018	O-RING 6,00X1,78	X

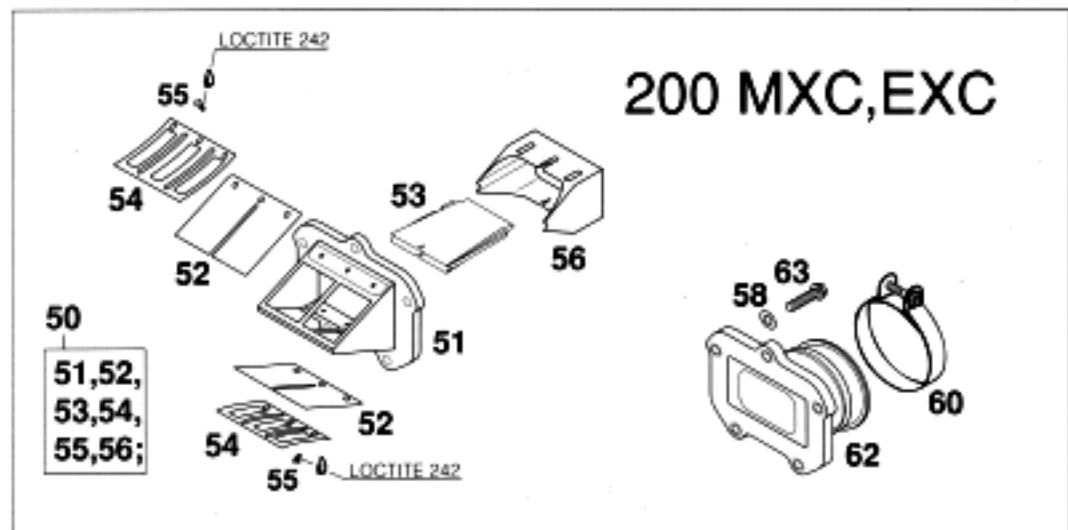
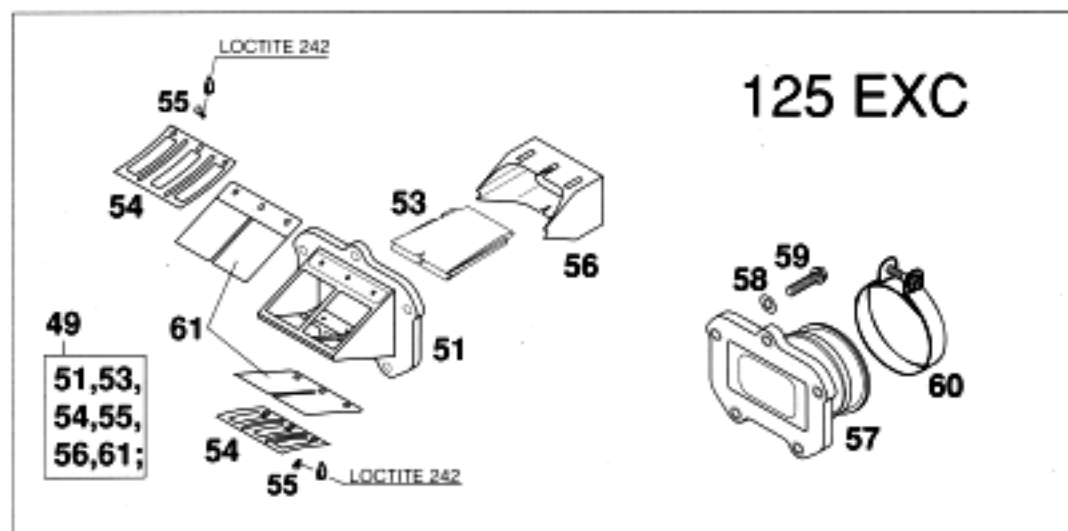
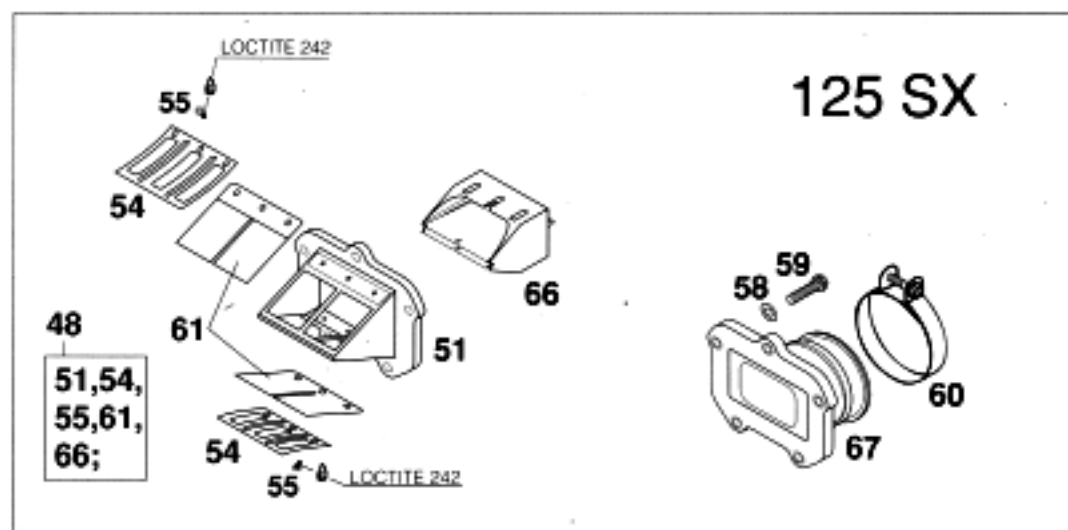
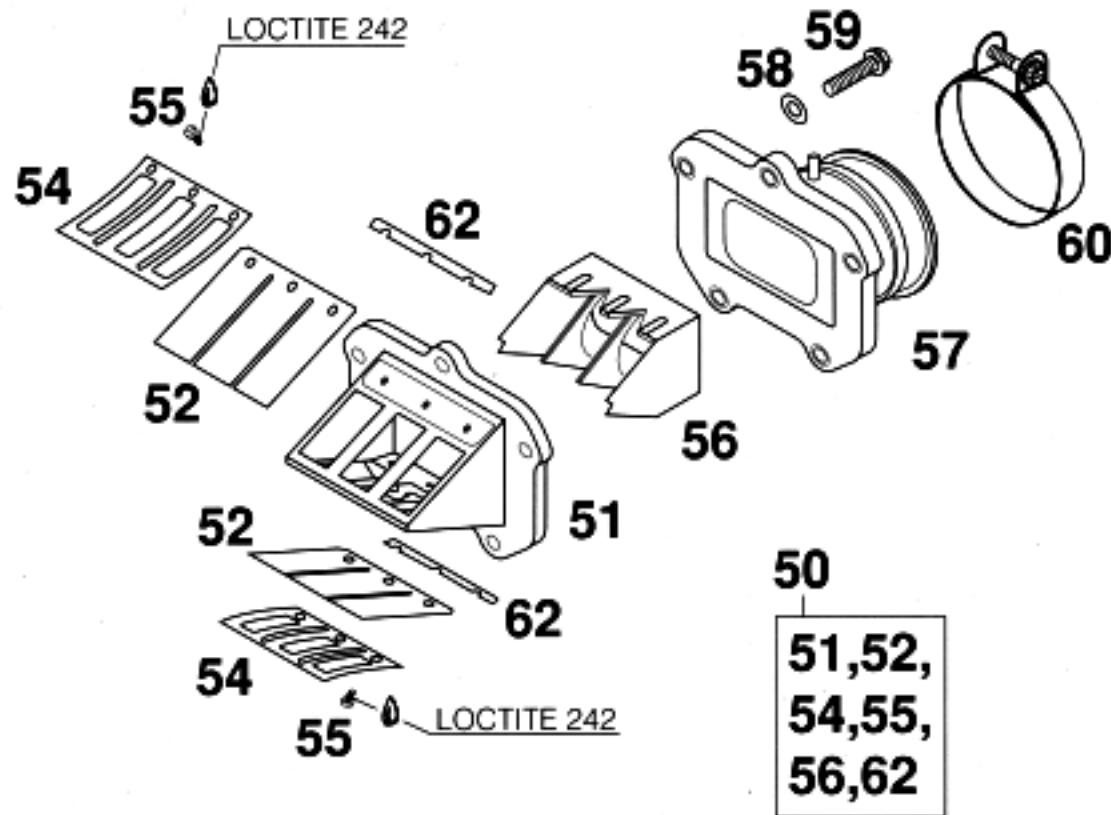


FIG	TEILNR/PARTNR	DESCRIPTION	QTY
48*	503.30.051.244	REED VALVE ASSY CPL. 125 SX'00 125 SX	1
49*	503.30.051.144	REED VALVE ASSY CPL. 125 '2000 125	1
50	546.30.051.444	REED VALVE ASSY CPL. 125-380'99 200	1
52	547.30.052.040	REED VALVE CARBON 0,40MM '99 200	2
53	503.30.054.050	REED VALVE WING 125-380 '99	1
54	546.30.053.000	STOP PLATE TOP	2
55	0084 040083	CYL.HEAD SCREW DIN0084-M 4X 8	6
56	503.30.054.000	REED VALVE INSERT 125-380 '99	1
57	503.30.050.000	INTAKE FLANGE 125 '98	1
58	0137 060000	SPRING WASHER DIN0137-B 6	5
59	0015 060203	HH COLLAR SCREW M 6X20 WS=8 125	5
60	543.30.061.000	CLAMP 52/12 GEMI	1
61*	503.30.052.044	REED VALVE SET 0,44MM 125'2000 125	1
62	546.30.050.000	INTAKE FLANGE 200-380	1
63	0015 060253	HH COLLAR SCREW M 6X25 WS=8 200	5
66*	503.30.054.100	REED VALVE INSERT 125-380'2000	1
67*	503.30.050.200	INTAKE FLANGE 125 SX '2000	1

FIG	TEILNR/PARTNR	DESCRIPTION	QTY
50	523.30.051.044	REED VALVE ASSY CPL. 200 '98	1
52	523.30.052.000	REED VALVE CARBON 200	2
54	546.30.053.000	STOP PLATE TOP	2
55	0084 040083	CYL.HEAD SCREW DIN0084-M 4X 8	6
56	546.30.054.000	VELOCITY INSERT	1
57	546.30.050.100	INTAKE FLANGE 200 EGS SGP '99	1
58	0137 060000	SPRING WASHER DIN0137-B 6	5
59	0015 060253	HH COLLAR SCREW M 6X25 WS=8	5
60	543.30.061.000	CLAMP 52/12 GEMI	1
62	542.30.056.000	PAPER STRIP	2



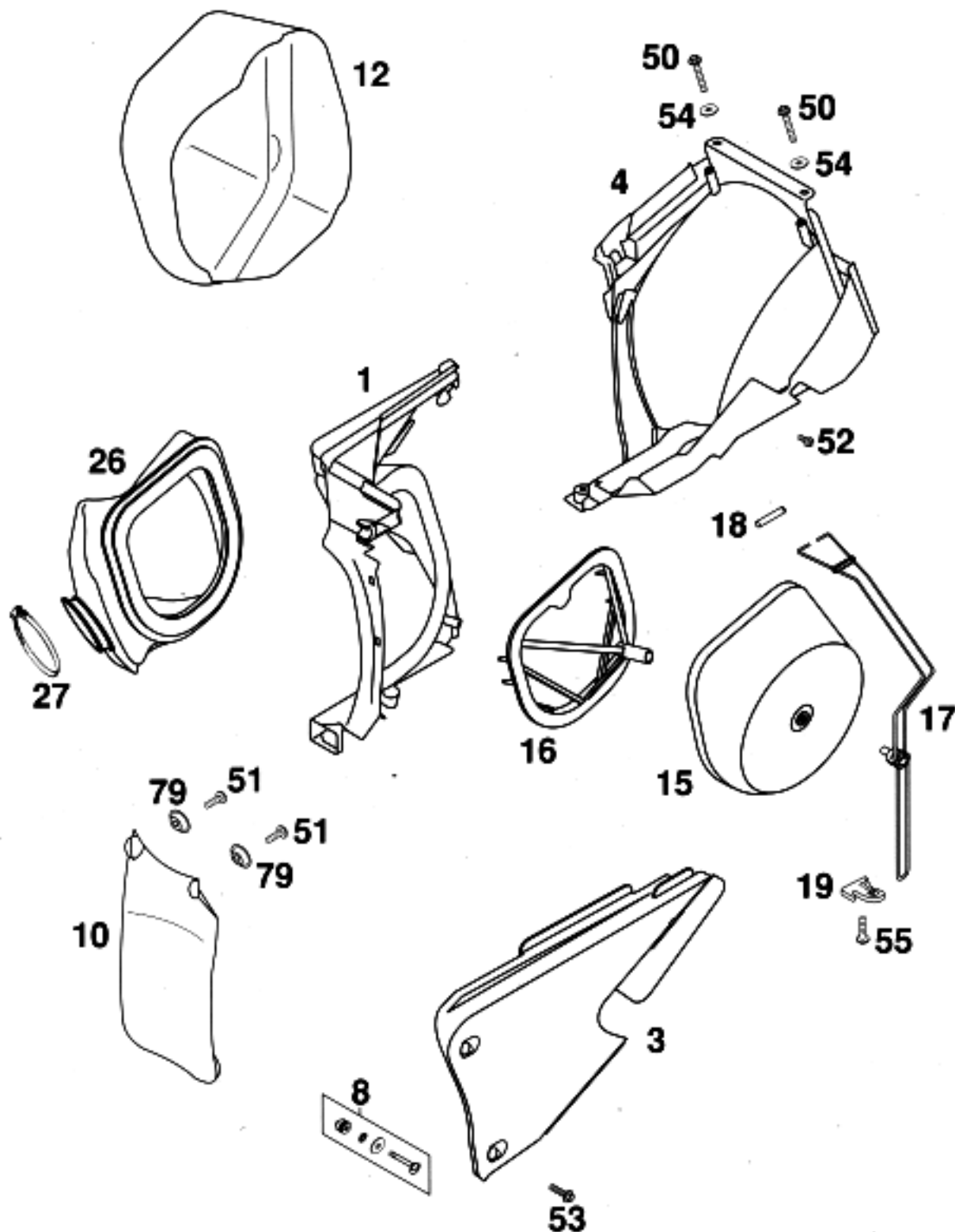


FIG	TEILNR/PARTNR	DESCRIPTION	QTY
1	503.06.001.051	FILTER WALL CPL. 125-380 '98	1
3	503.06.003.044	FILTER BOX COVER CPL. '98 WITH QUICK RELEASE	1
4	503.06.001.052	FILTER BOX PART REAR '98	1
8	503.06.008.044	QUICK RELEASE CPL. '98	2
10	503.06.010.000	FENDER FOR FILTER BOX '98	1
12	503.06.012.000	THROTTLE CAP 125-380 EGS '98	1
15	503.06.015.000	AIR FILTER 125-380 '98	1
16	503.06.016.000	FILTER CARRIER 125-380 '98	1
17	503.06.017.000	FILTER SUPPORT CPL.2-STROKE'98	1
18	503.06.018.000	FILTER SUPPORT BUSH 125-380'98	1
19	503.06.019.000	FASTEN. DEVICE FILTER SUPPORT	1
26	547.06.026.000	CARBURETOR CONNECTION BOOT '98	1
27	510.06.027.000	HOSE CLAMP 50-70MM	1
50	0017 060403	SPECIAL SCREW T60 M 6X40	2
51	0017 060203	SPECIAL SCREW T60 M 6X20	2
52	0009 050103	SPECIAL SCREW M 5,0X10	1
53*	0016 070253	PLASTIC SCREW K7X25 PT1447	2
54	0125 060003	WASHER DIN0125-A 6,4	2
55	0017 060303	SPECIAL SCREW T60 M 6X30	1
79	722.10.079.000	BUCKET	2

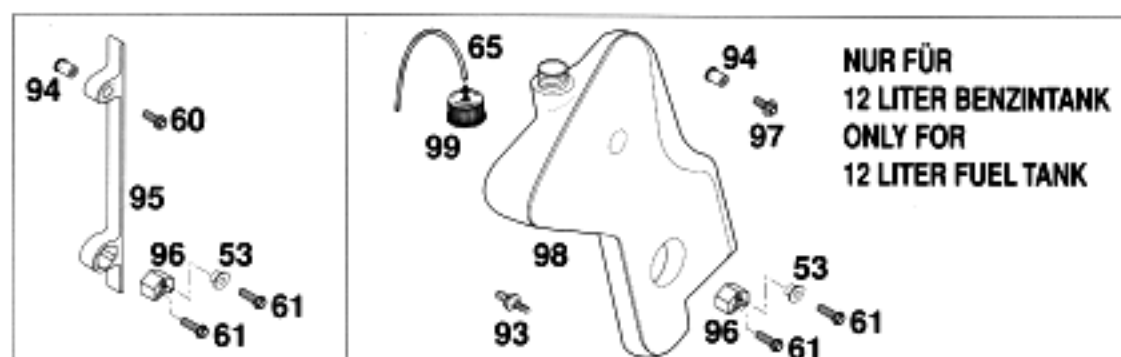
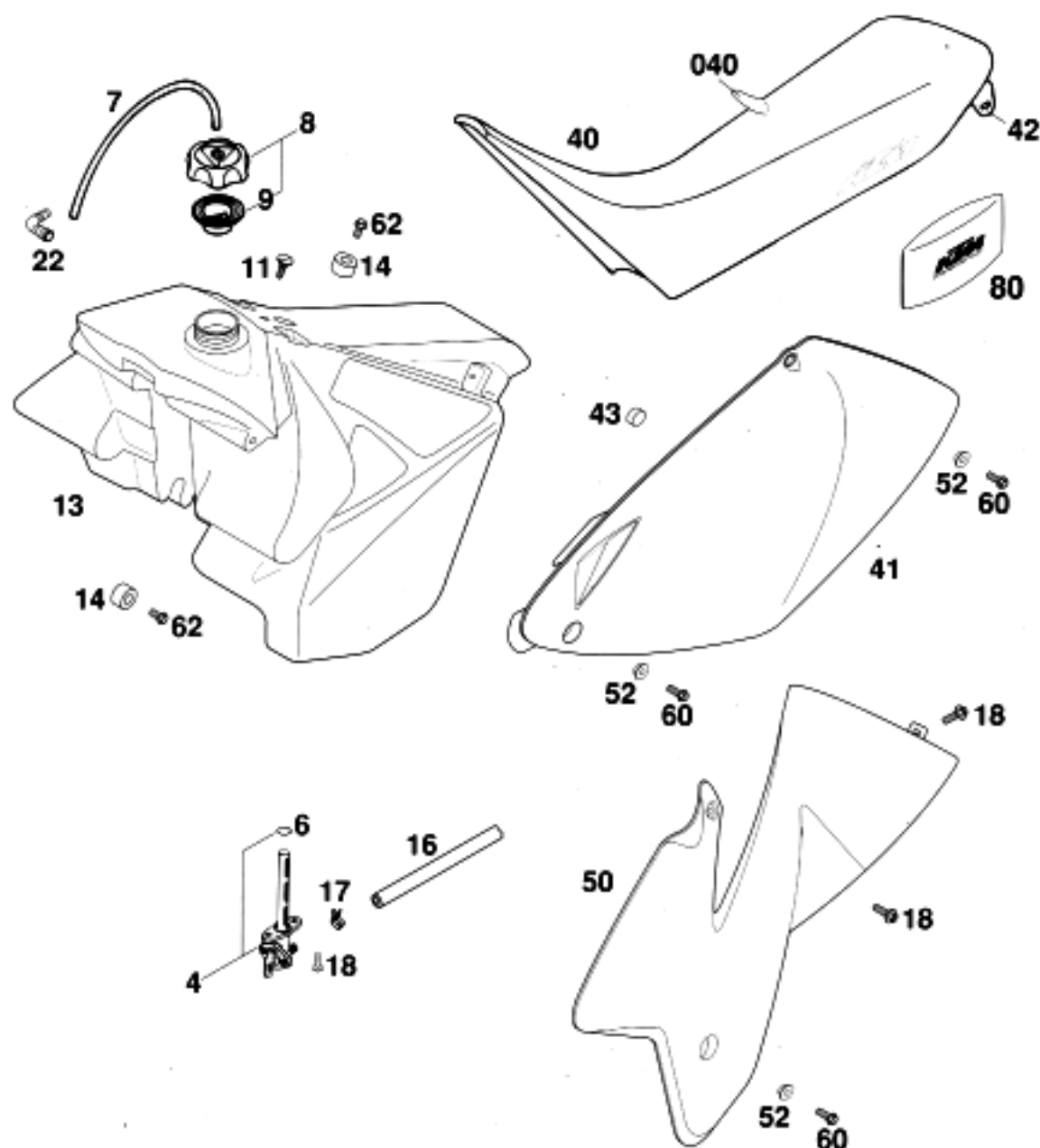


FIG	TEILNR/PARTNR	DESCRIPTION	QTY
4	550.07.005.300	GAS COCK CPL.OFF-ON	1
4	583.07.105.200	FUEL COCK CPL. OFF-ON-RES	1
6	550.07.006.200	O-RING 11X1,8 NBR 70	1
7	310.07.107.001	PVC-HOSE 6X9 MM PER METER	0,25
8	490.07.008.044	FILLER CAP CPL. SMALL	1
8*	590.07.008.044	FILLER CAP CPL. SMALL EUROPE	1
9	490.07.009.000	GASKET FOR FILLER CAP	1
11	503.07.011.000	SCREW SEAT FASTENING '98	1
13	503.07.013.000	FUEL TANK CPL. 7,5 LITER '98	1
13	503.07.013.100	FUEL TANK CPL. 9,5 LITER '98	1
13	523.07.013.000	FUEL TANK CPL. 12 LITER '98	1
14	503.07.014.000	TANK ROLLER 12X26X12 '98	3
16*	583.07.016.001	FUEL HOSE VITON 6X1,5 PER/M	0,16
17	580.07.117.000	YDNAC-KLAMMER 10107 10MM	2
18	0017 060203	SPECIAL SCREW T60 M 6X20	8
22	510.30.022.000	ANGLE PIECE 90 DEGREE M10X1	1
40*	503.07.040.000	SEAT BLACK / KTM WHITE 2000	1
40*	503.07.040.300	SEAT BLACK/ORANGE SX 2000	1
040*	503.07.040.050	SEATCOVER BLACK/KTM WHITE 2000	1
040*	503.07.040.350	SEATCOVER BLACK/ORANGE SX 2000	1
41	503.08.041.000/90	SIDE COVER L/S SILVER '98	1
—	503.08.042.000/90	SIDE COVER R/S SILVER '98	1
42	503.07.041.000	SEAT BRACKET L/S-R/S '98	2
43	503.08.042.055	RUBBER FOR SIDE COVER '98	2
50	503.08.050.000/04	SPOILER L/S ORANGE '98	1
—	503.08.051.000/04	SPOILER R/S ORANGE '98	1
52	503.08.052.000	BUSH FOR SPOILER 6X11X16X5	6
53	503.08.053.000	BUSH FOR SPOILER 6X11X16X7,5	2
60	0015 060163	HH COLLAR SCREW M 6X16 WS=8	6
61	0015 060203	HH COLLAR SCREW M 6X20 WS=8	4
62	0015 060123	HH COLLAR SCREW M 6X12 WS=8	3
65	501.31.137.000	VENT HOSE 3X5X270	2
80	502.12.100.100	TOOL SET 125-380 ORANGE '97	1
93	523.38.061.050	HOSE CONNECTION FOR OILTANK	X
94	550.03.139.600	BLIND RIVET NUT M6X15,5 STEEL	2

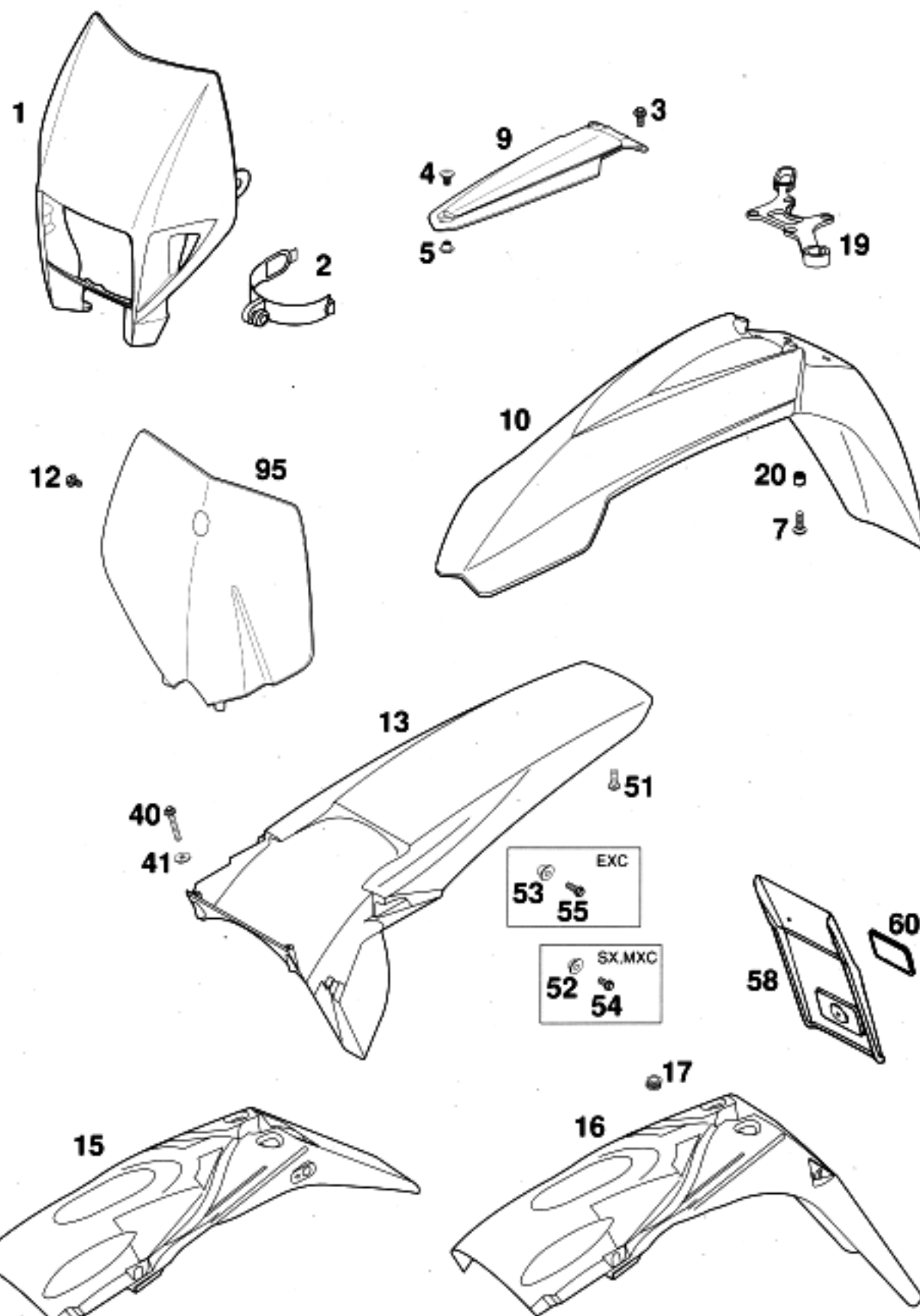


FIG	TEILNR/PARTNR	DESCRIPTION	QTY
1	503.08.001.000/04	H.LIGHT MASK ORANGE EXC/EGS'99	1
2	502.11.086.000	MASK RUBBER UFO WP '95	2
3	0014 060153	HH COLLAR SCREW M 6X15 WS=8	2
4	503.08.009.050	SCREW FEND.BRACE M8X9 WS=17	1
5	503.08.009.051	NUR FENDER BRACE M8 WS=17	1
7	0014 060203	HH COLLAR SCREW M 6X20 WS=8	4
9	503.08.009.100	FENDER BRACE BLACK '99	1
10*	503.08.010.100/04	FENDER FRONT ORANGE '99	1
12	0014 060103	HH COLLAR SCREW M 6X10 WS=8	1
13	503.08.013.000/90	REAR FENDER SX SILVER '98 125-380 SX, MXC	1
13	503.08.013.100/90	REAR FENDER EXC SILVER '98 125-380 EXC	1
15	503.08.015.000	NUMBER PLATE CARRIER EXC '98	1
16	503.08.015.100	NUMBER PLATE CARRIER EGS '98	1
17	310.08.060.000	RUBBER SLEEVE D=8MM OPEN	1
19	503.08.019.000	SPEEDO.CABLE GUIDE 125-380 '98	1
20	502.08.020.000	SPACER BUSHING 7X10X7,5	4
40	0017 060403	SPECIAL SCREW T60 M 6X40	2
41	0125 060003	WASHER DIN0125-A 6,4	2
51	0017 060203	SPECIAL SCREW T60 M 6X20	2
52	503.08.052.100	BUSH FOR FENDER 6X11X20X5	2
53	503.08.053.100	BUSH F.NUM.PL.CAR. 6X11X22X9,5	2
54	0015 060123	HH COLLAR SCREW M 6X12 WS=8	2
55	0015 060163	HH COLLAR SCREW M 6X16 WS=8	2
58	490.08.216.000	EXTENSION FOR NUMBER PLATE	1
60	510.12.180.000	REFLECTOR SELF-ADHESIV RED	1
95	503.08.007.000/04	NUMBER PLATE ORANGE SX '99	1

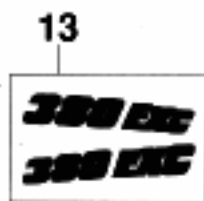
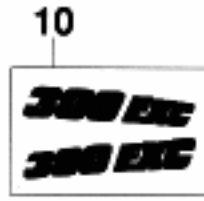
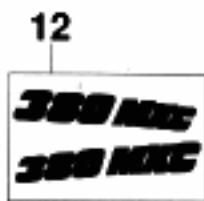
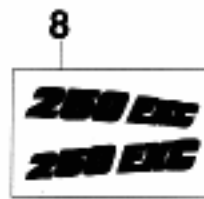
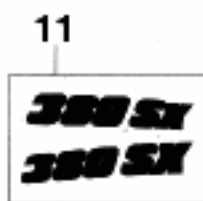
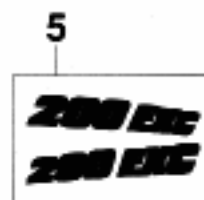
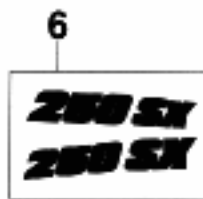
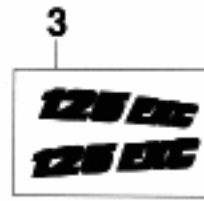
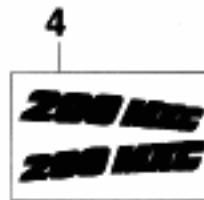
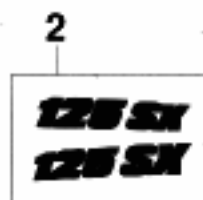
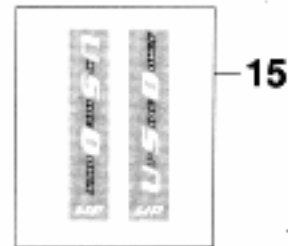
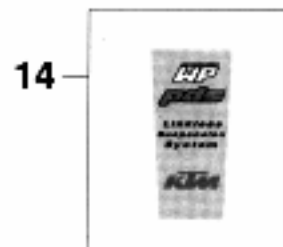
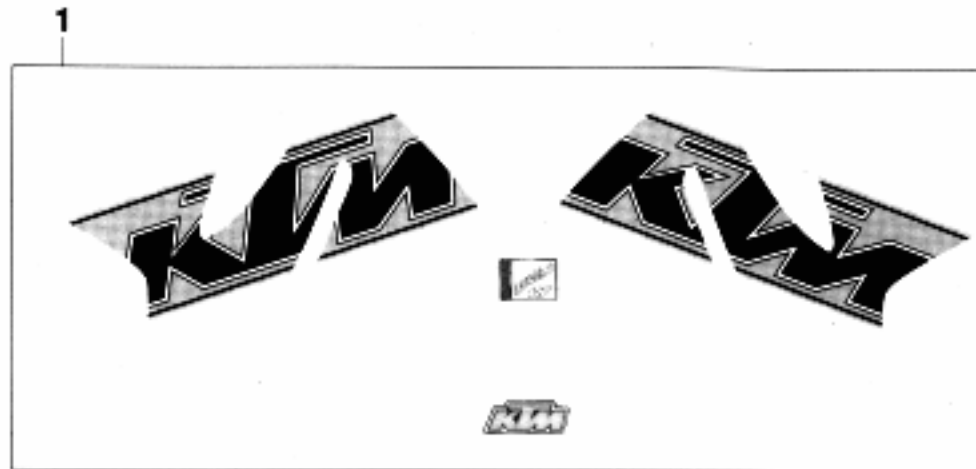


FIG	TEILNR/PARTNR	DESCRIPTION	QTY
1*	503.08.090.200	SPOILER DECAL CPL.125-380 2000	1
2*	503.08.091.700	DISPLACEM.DECAL „125 SX“ 2000	1
3*	503.08.091.800	DISPLACEM.DECAL „125 EXC“ 2000	1
4*	523.08.091.700	DISPLACEM.DECAL „200 MXC“ 2000	1
5*	523.08.091.800	DISPLACEM.DECAL „200 EXC“ 2000	1
6*	546.08.091.900	DISPLACEM.DECAL „250 SX“ 2000	1
7*	546.08.092.000	DISPLACEM.DECAL „250 MXC“ 2000	1
8*	546.08.092.100	DISPLACEM.DECAL „250 EXC“ 2000	1
9*	546.08.391.700	DISPLACEM.DECAL „300 MXC“ 2000	1
10*	546.08.391.800	DISPLACEM.DECAL „300 EXC“ 2000	1
11*	547.08.091.800	DISPLACEM.DECAL „380 SX“ 2000	1
12*	547.08.091.900	DISPLACEM.DECAL „380 MXC“ 2000	1
13*	547.08.092.000	DISPLACEM.DECAL „380 EXC“ 2000	1
14*	503.08.095.000	DECAL SPONSORS REAR SX 2000	1
15*	503.08.093.100	DECAL „UP SIDE DOWN WP“	1

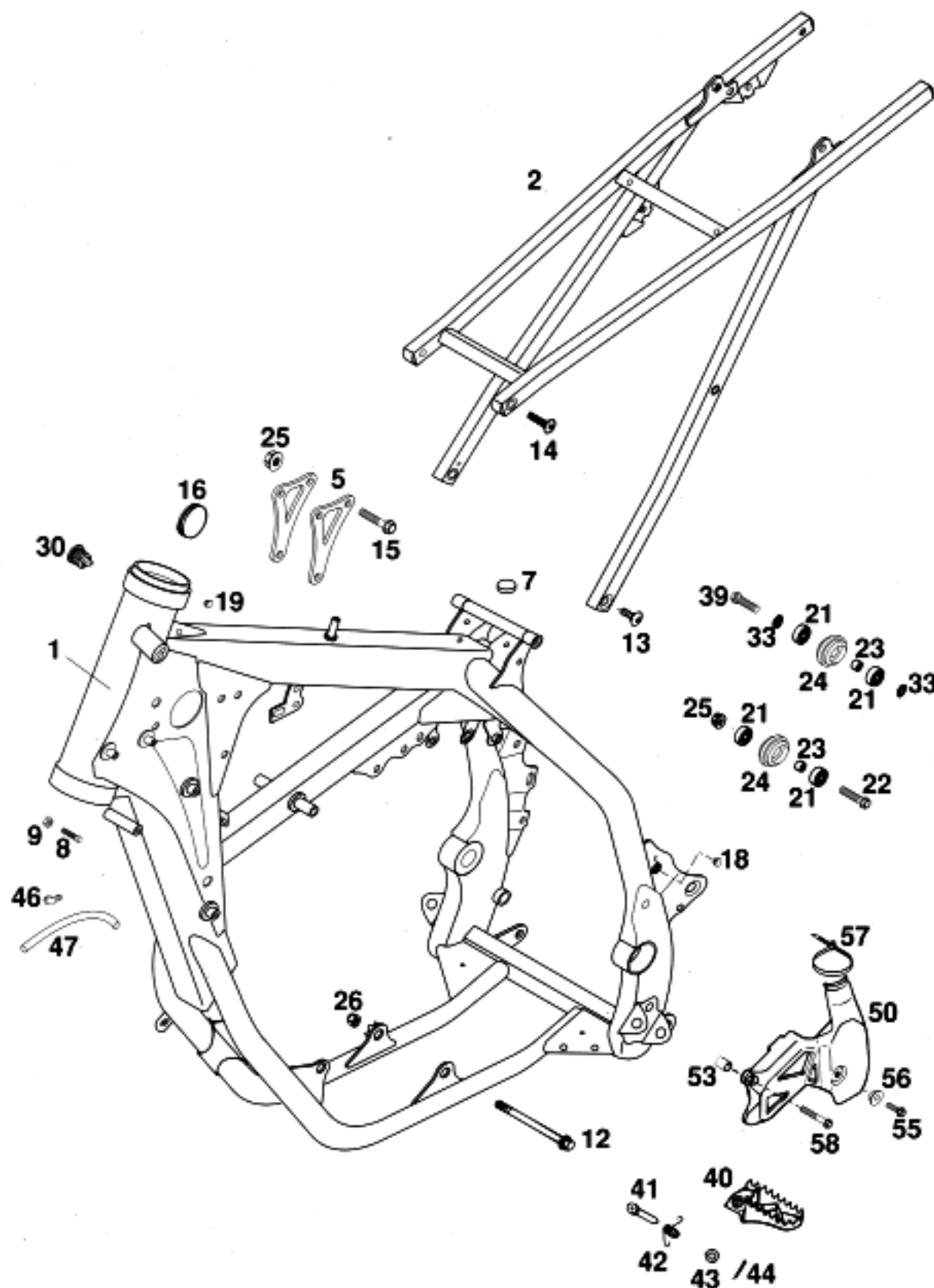


FIG	TEILNR/PARTNR	DESCRIPTION	QTY
1*	503.03.001.200	FRAME 125/200 SX,MXC,EXC 2000 WITHOUT LOCK BODY, SILVER	1
1*	503.03.001.300	FRAME 125/200 EXC EU/AUS 2000 WITH LOCK BODY, SILVER	1
2	503.03.002.000	S.FRAME CPL.ALU 125-380 '98	1
5	503.03.013.000	REINFORCING BRACKET 125 '98	2
5	523.03.013.000	REINFORCING BRACKET 200 '98	2
7	503.07.020.000	RUBBER BUFFER FOR TANK '98	2
8*	590.01.037.000	SPECIAL SCREW M8X26 WS=10	2
9	0934 080003	HEXAGON NUT DIN0934-M 8	2
12	546.03.013.000	ENGINE BRAC.SCREW M10X105-10.9	2
13	546.10.052.000	SPROCKET SCREW-AH M 8X20	2
14	545.10.052.000	SPROCKET SCREW-AH M 8X26	2
15	565.30.079.000	SPECIAL SCREW M8X42-10.9	3
16	546.06.004.000	PLUG 37 MM	2
18	544.03.135.000	PLASTIC CAP SFL10	1
19	361.11.021.000	PLUG	2
21	0625 006087	GROOVED BALL BEAR. 608 2RS C3	4
22	0015 080353	HH COLLAR SCREW M 8X35 WS=10	1
23	740.03.021.000	BUSHING 8 X 12 X 6,5	2
24	523.03.053.000	CHAIN ROLL D=30MM 125-380 '99	2
25*	543.10.086.200	SELF LOCKING NUT M8 10.9	4
26	543.10.086.100	SELF LOCKING NUT M10 CU WS=14	2
30	420.07.049.000	PLASTIC CAP	1
33	360.03.014.000	LOCK WASHER 8MM	2
39	0015 080303	HH COLLAR SCREW M 8X30 WS=10	1
40*	590.03.040.050	FOOT PED L/S SILVER 2000	1
40*	590.03.040.150	FOOT PED L/S SILVER WIDE 2000	1
-*	590.03.041.050	FOOT PED R/S SILVER 2000	1
-*	590.03.041.150	FOOT PED R/S SILVER WIDE 2000	1
41	546.03.044.000	BOLT FOR FOOTREST 9,8 X 50	2
42	546.03.041.000	FOOTREST SPRING L/S & R/S	2
43	0125 100003	WASHER DIN0125-A10,5	2
44	0094 032253	PIN DIN0094-3,2X25 STEEL	2
46	503.03.089.000	ANGEL PIECE '97	1
47	550.07.016.001	PVC-HOSE 7X10 PER METER	0,2
50	546.07.061.000	SPROCKET COVER	1
53	546.13.038.150	BUSHING 6,5X8X11	1
55	0015 060203	HH COLLAR SCREW M 6X20 WS=8	1
56*	503.08.053.000	BUSH FOR SPOILER 6X11X16X7,5	1
57	440.11.076.200	CABLE TIE 200MM	1
58	0015 060403	HH COLLAR SCREW M 6X40 WS=8	1

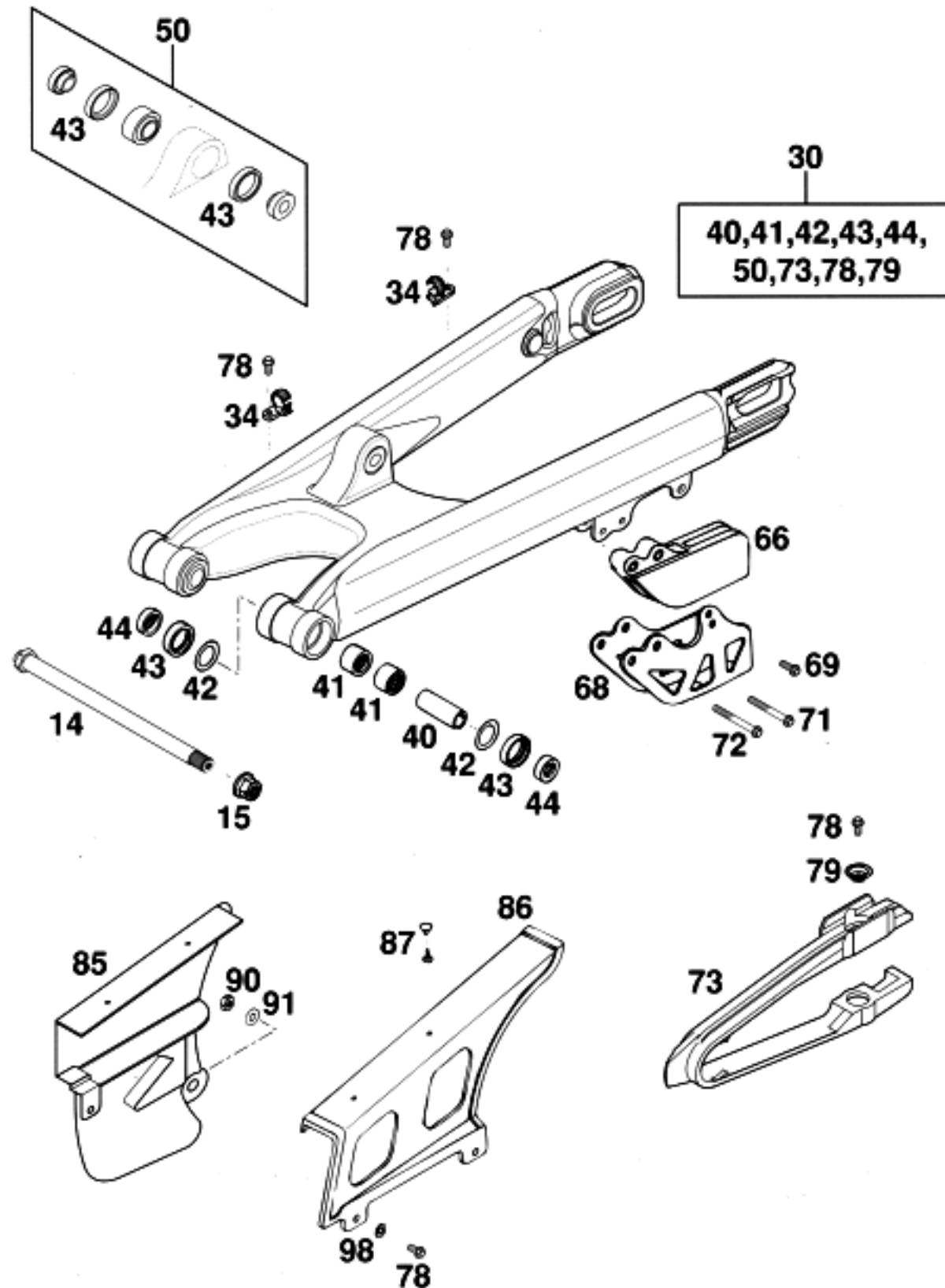
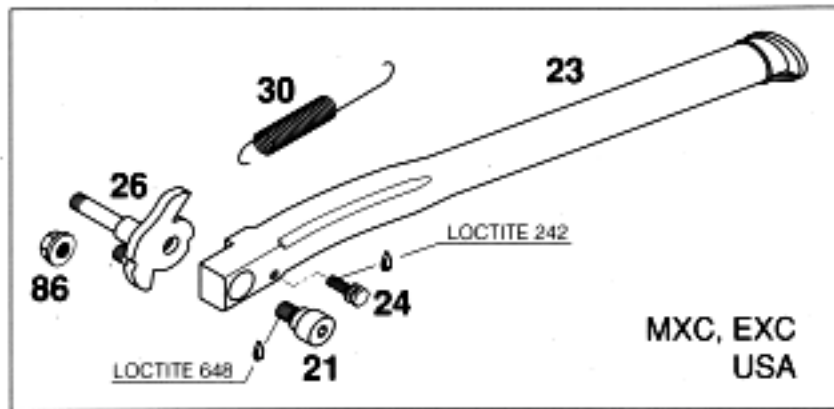
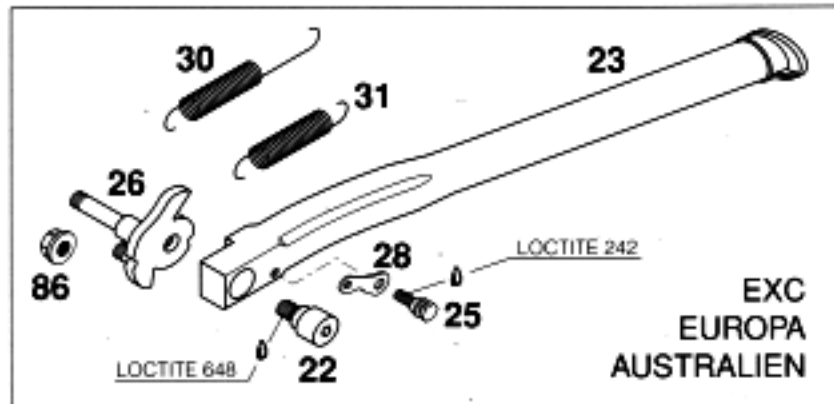


FIG	TEILNR/PARTNR	DESCRIPTION	QTY
14*	503.03.014.000	SWINGARM BOLT 14X252 WS=22	1
15	546.03.015.000	SELF LOCKING NUT M14X1,5 WS=19	1
30*	503.04.030.244	SWINGARM CPL. PDS 2T 2000	1
34	546.11.076.100	RETAIN.CLAMP FOR BRAKE HOSE'96	2
40	546.03.081.000	BEARING SLEEVE 15 X 20 X 48	2
41	546.03.097.000	NEEDLE BUSH HK 2016	4
42	546.03.036.000	STOP DISK 22,2X31,7X1	2
43	0760 253270	SHAFT SEAL RING 25X32X7	6
44	546.03.090.000	BUCKET F.SHAFTSEALRING 15X25X9	4
50	503.04.090.044	HEIM JOINT+BUSHES PDS '99	1
66	546.07.066.100	CHAIN GUIDE REAR '94	1
68	546.07.070.100	RETAINING PLATE	1
69	0015 060163	HH COLLAR SCREW M 6X16 WS=8	1
71	0015 060503	HH COLLAR SCREW M 6X50 WS=8	1(2)
72	0015 060553	HH COLLAR SCREW M 6X55 WS=8	1
73	503.04.066.000	CHAIN GUARD '97	1
78	0009 050103	SPECIAL SCREW M 5,0X10	6
79	722.10.079.000	BUCKET	2
85*	503.04.060.100	CHAIN GUARD SMALL EXC 2000	1
86	546.07.460.000	CHAIN GUARD LARGE EGS	1
87	200.12.062.055	HOLLOW RIVET TWO PARTS	2
90	0985 060003	SELF LOCK. NUT DIN0985-M 6	1
91	0021 060003	WASHER DIN9021-A 6,4	1
98	0021 050003	WASHER DIN9021-A 5,3	2



MXC, EXC
USA



EXC
EUROPA
AUSTRALIEN

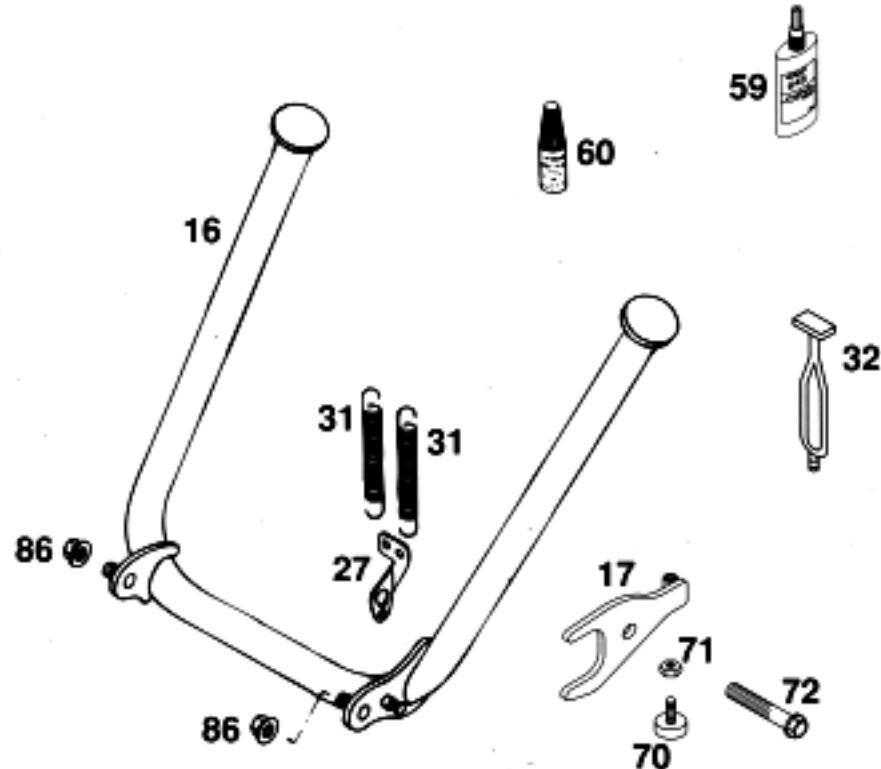


FIG	TEILNR/PARTNR	DESCRIPTION	QTY
16	503.03.016.000	CENTERSTAND L=438MM 2STROKE'98	X
17	503.03.017.000	BRACKET FOR CENTER STAND '98	X
21	503.03.023.060	SCREW M8 SIDE STAND EXC '98	1
22	503.03.023.160	SCREW M8 SIDE STAND EGS '98	1
23	503.03.023.000	SIDE STAND L=377MM '98	1
24	503.03.023.052	BOLT SIDE ST.SPRING M5 EXC'98	1
25	503.03.023.152	BOLT SIDE ST.SPRING M5 EGS'98	1
26	503.03.026.000	SIDE ST.BRACKET CPL.125-380'98	1
27	546.03.027.000	SPRING HANGER '90	X
28	503.03.023.054	BRACKET FOR SPRING EGS '98	1
29	503.03.025.000	RUBBER FOR SIDE STAND '98	1
30	503.03.024.000	SIDESTAND SPRING 125-380EXC'98	1
31	100.03.021.000	STAND SPRING SHORT	1(X)
32	503.03.018.000	RUBBER FOR CENTER STAND '99	X
59	584.29.059.000	LOCTITE 648 GREEN 20ML	1
60	6 899 785	LOCTITE 242 BLUE 6CCM	1
70	583.03.070.000	STOP RUBBER M8	X
71	0934 080003	HEXAGON NUT DIN0934-M 8	X
72	0015 080403	HH COLLAR SCREW M 8X40 WS=10	X
86	543.10.086.000	SELF LOCKING NUT M8	1(X)

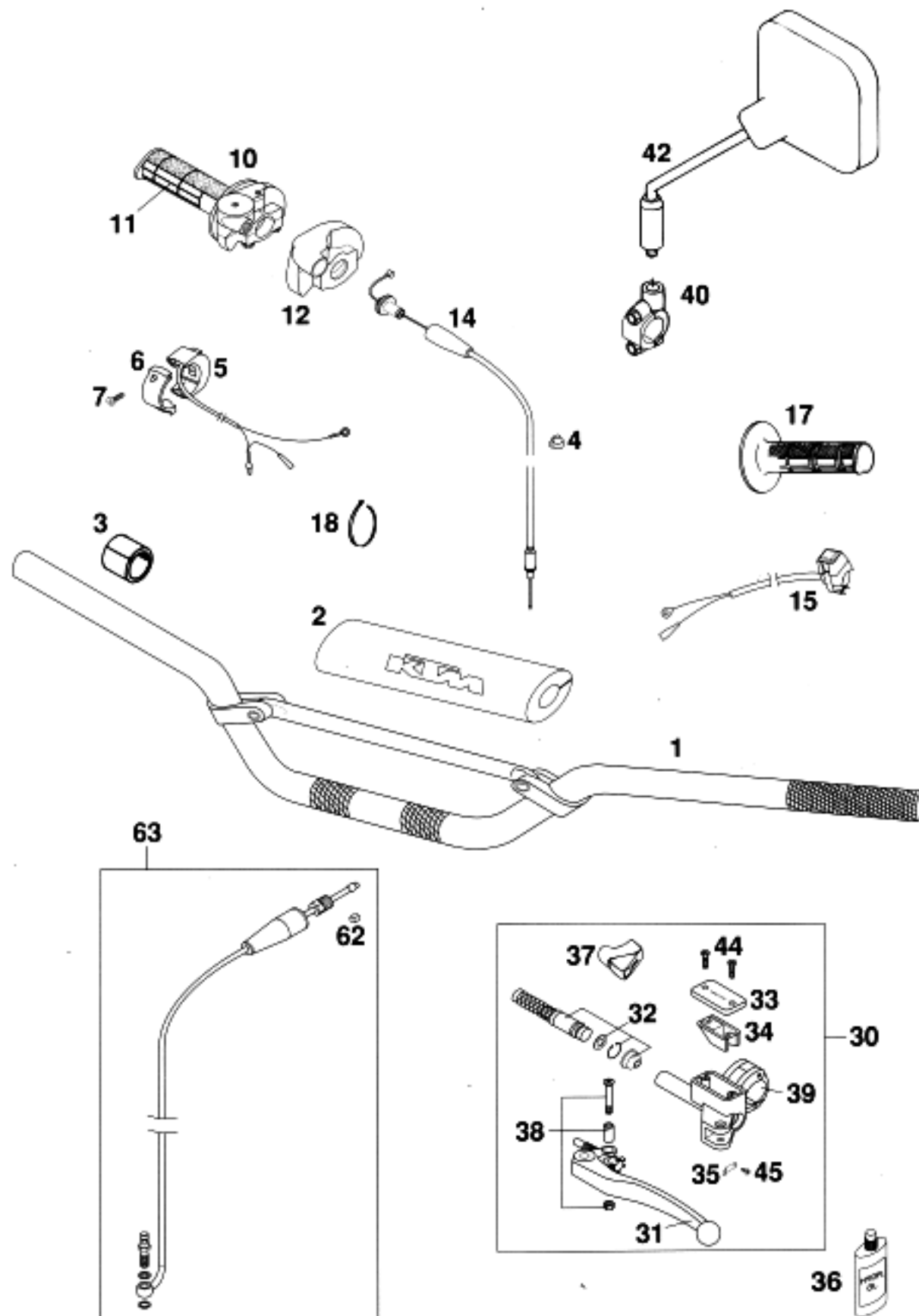


FIG	TEILNR/PARTNR	DESCRIPTION	QTY
1	502.02.001.000	ALU-HANDLEBAR '95	1
2*	503.02.002.000	HANDLEBAR PED „KTM“ SX 2000	1
3	502.02.010.000	SPACER BUSHING 22X28X22PVC	X
4	570.13.072.000	WIRING HOLDER 12MM 0210	1
5	503.11.074.000	ENGINE STOP SWITCH CEV EXC AUSTRALIA	1
6	503.11.074.050	CLAMP ENGINE STOP SWITCH	1
7	0985 040153	FLAT HEAD SCREW DIN7985-M 4X15	2
10	503.02.010.000	THROTTLE TWIST GRIP CPL. '97	1
11	502.02.003.000	TWIST GRIP COVER DOMINO BLACK	1
12	503.02.020.000	PROTECTION COVER '97	1
14	503.02.091.000	THROTTLE CABLE 125-380 DOMINO	1
15	503.11.089.000	SHORT CISCUIT BUTTON '97	1
17	502.02.052.000	FIXED GRIP DOMINO BLACK '95	1
18	440.11.276.200	CABLE TIE 200 X 5MM T50 R/SF	1
30*	503.02.030.100	MASTER CYL. CPL. 125-380 2000 ZINKCOATED	1
31*	503.02.031.100	CLU.LEVER SHORT CPL. 2T 2000	1
31	503.02.031.000	CLUTCH LEVER CPL. 125-200 '98	X
32	503.02.032.000	REP.SATZ PISTON CLUT.HYDR. '98	1
33*	503.02.033.100	COVER HYD.CLUTCH 2T 2000 ZINKCOATED	1
34	503.02.034.000	RUBBER FOR RESERVOIR '98	1
35	503.02.035.000	SPRING PLATE FOR LEVER '98	1
36	503.02.036.000	OIL HYDR.CLUTCH 50ML SHELL HF	1
37	503.02.037.000	PROTECT.CAP FOR LEVER PERCH'98	1
38	503.02.038.000	LEVER SCREW CPL. 125-200 '98	1
39*	503.02.030.150	CLAMP WITH PIN 2000 ZINKCOATED	1
40	503.12.042.000	MIRROR CLAMP L/S M10X1,25	X
42	580.12.040.000	REAR MIRROR L/S	X
—	580.12.140.000	REAR MIRROR R/S	X
44	0965 040123	FLAT HEAD SCREW DIN0965-M 4X12	2
45	0984 030063	AH SCREW DIN7984-M 3X 6	1
62*	503.32.063.050	SELF CUTTING RING HYDR.PIPE	X
63	503.32.063.000	PIPE KIT FOR HYDR. CLUTCH '98	1

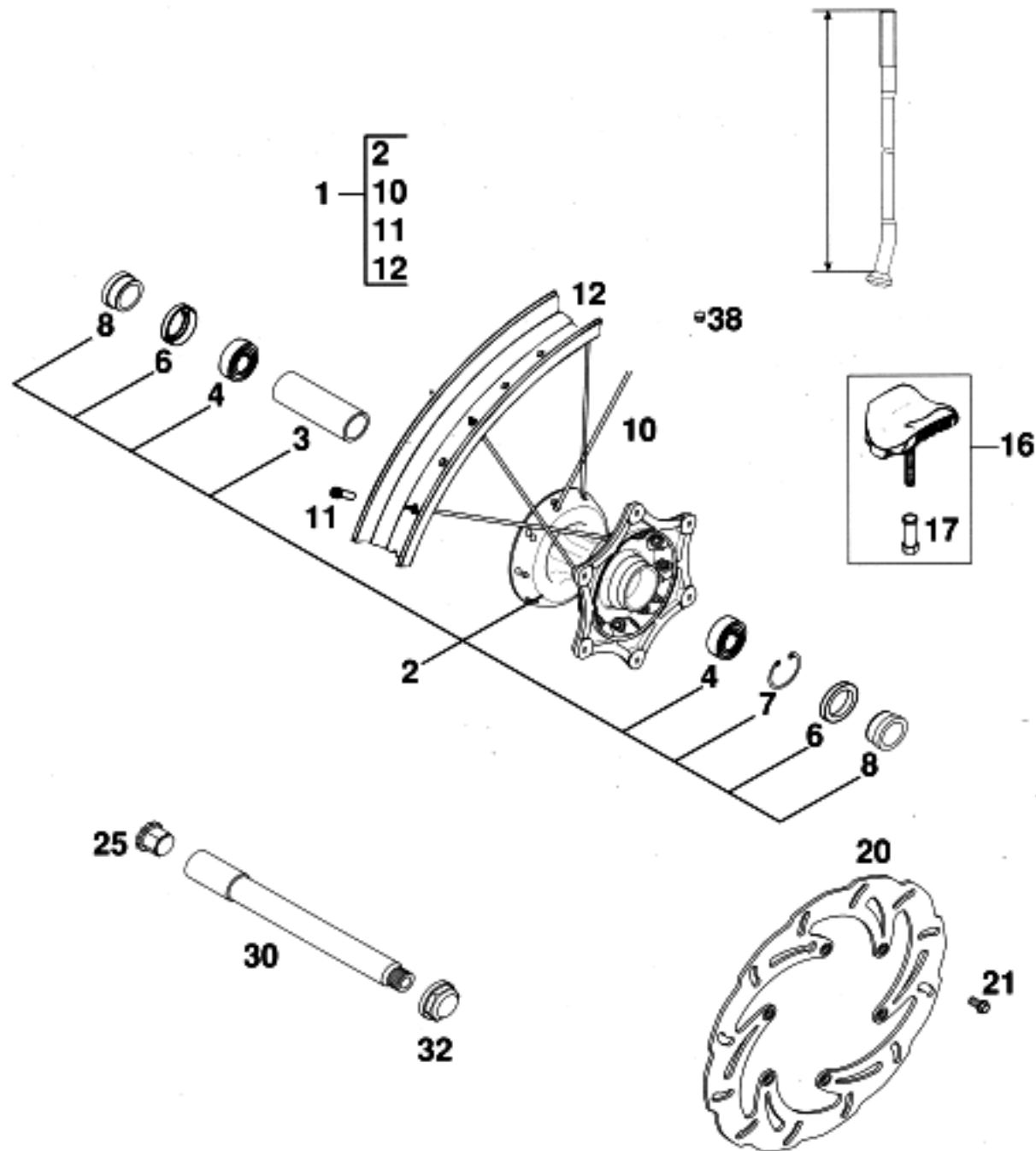


FIG	TEILNR/PARTNR	DESCRIPTION	QTY
1*	503.09.001.044	FRONTWHEEL 1,6X21" EXCEL SX2000	1
1*	503.09.001.144	FRONTWHEEL 1,6X21" DID SX 2000	1
2*	503.09.010.044	FRONT HUB CPL. SX 2000	1
3*	503.09.011.000	BEAR. SPACERTUBE 20,5X25X80,3	1
4*	0625 069047	GROOV.BALL BEAR.NSK6904 2RSRC3	2
6*	0760 263770	SHAFT SEAL RING 26X37X7 ASL	2
7*	0472 037154	LOCK RING DIN0472-37X1,5	1
8*	503.09.012.000	SPACER BUSHING 20X26X27,8 2000	2
10*	503.09.071.230	SPOKE M4,5X230-15G 21" DDE	36
11*	503.09.072.000	SPOKE NIPPLE M4,5X0,75 8X21	36
12	546.09.070.100	FRONT RIM 1,6 X 21" EXCEL	1
12	546.09.070.200	FRONT RIM 1,6X21" DID	1
16	510.09.100.100	RIM LOCK VM1 (1,60")	1
17	503.10.090.050	NUT WHEEL HOLDER '96	1
20*	503.09.060.000	BRAKE DISC FRONT D=260MM 2000	1
21	0015 060123	HH COLLAR SCREW M 6X12 WS=8	6
25*	503.09.081.150	HANDLE FOR FRONT AXLE WS=21	1
30*	503.09.081.100	AXLE FRONT USD43 L=233MM 2000	1
32*	503.09.082.000	COLLAR NUT FRONT M16X1,5 WS=27	1
38	550.03.135.000	PLUG FOR RIM	X

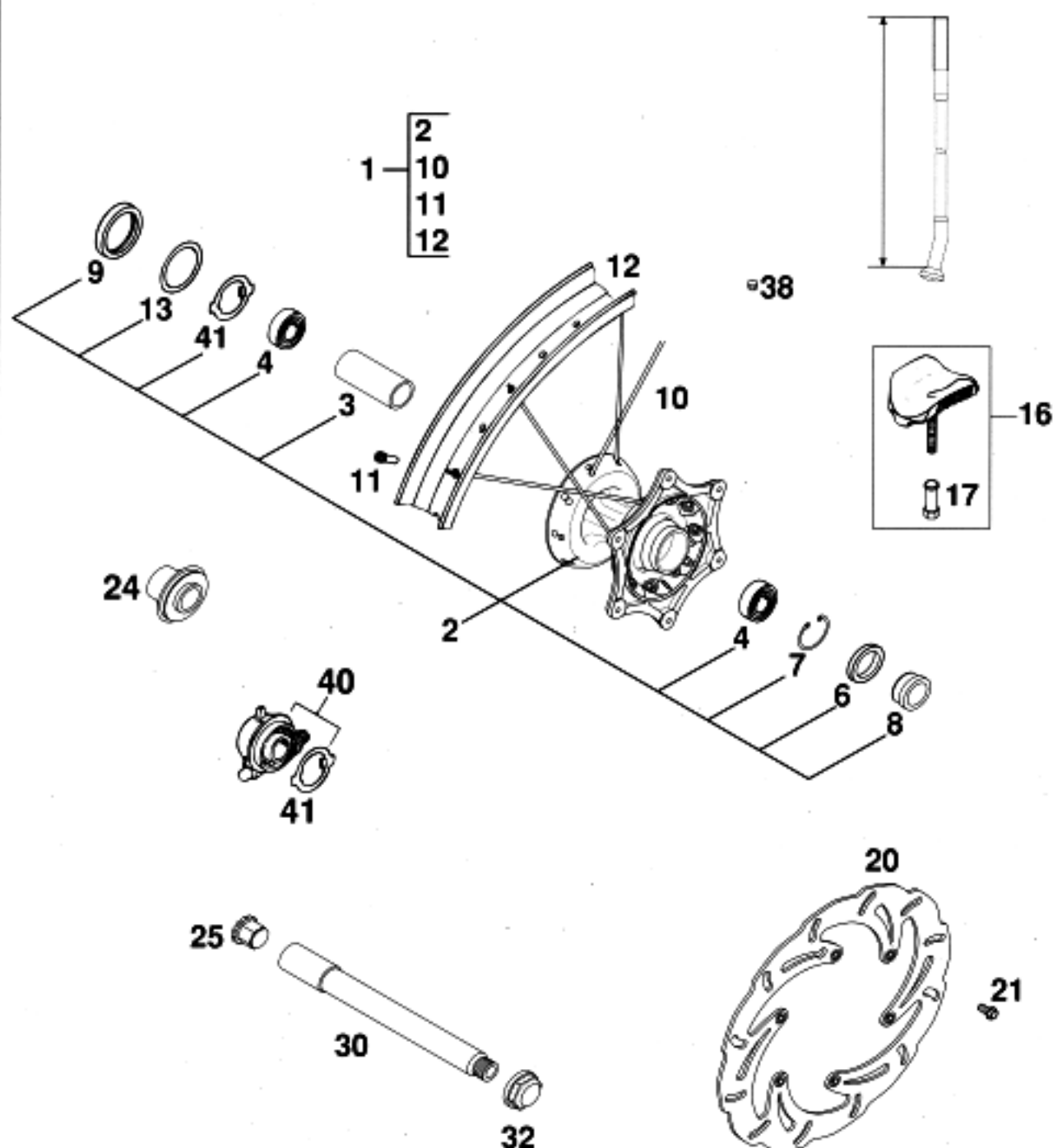


FIG	TEILNR/PARTNR	DESCRIPTION	QTY
1*	503.09.001.244	FRONTWHEEL 1,6X21" DID EXC 2000	1
2*	503.09.010.144	FRONT HUB CPL. EXC 2000	1
3*	503.09.011.100	BEAR. SPACERTUBE 20,5X25X63,3	1
4*	0625 069047	GROOV.BALL BEAR.NSK6904 2RSRC3	2
6*	0760 263770	SHAFT SEAL RING 26X37X7 ASL	1
7*	0472 037154	LOCK RING DIN0472-37X1,5	1
8*	503.09.012.000	SPACER BUSHING 20X26X27,8 2000	1
9	0760 405270	SHAFT SEAL RING 40X52X7 B	1
10*	503.09.071.230	SPOKE M4,5X230-15G 21" DDE	36
11*	503.09.072.000	SPOKE NIPPLE M4,5X0,75 8X21	36
12	546.09.070.200	FRONT RIM 1,6X21" DID	1
13	581.11.054.000	WASHER 40 X 52 X 0,15 '92	1
16	510.09.100.100	RIM LOCK VM1 (1,60")	1
17	503.10.090.050	NUT WHEEL HOLDER '96	1
20*	503.09.060.000	BRAKE DISC FRONT D=260MM 2000	1
21	0015 060123	HH COLLAR SCREW M 6X12 WS=8	6
24*	503.09.019.100	SPACER BUSHING FOR FRONT WHEEL	1
25*	503.09.081.150	HANDLE FOR FRONT AXLE WS=21	1
30*	503.09.081.100	AXLE FRONT USD43 L=233MM 2000	1
32*	503.09.082.000	COLLAR NUT FRONT M16X1,5 WS=27	1
38	550.03.135.000	PLUG FOR RIM	X
40*	503.14.050.000	SPEEDOMETER DRIVE 748220 (3.0)	1
41*	503.14.053.000	DRIV.DOG F.SPEEDOM.DRIVE 2000	1

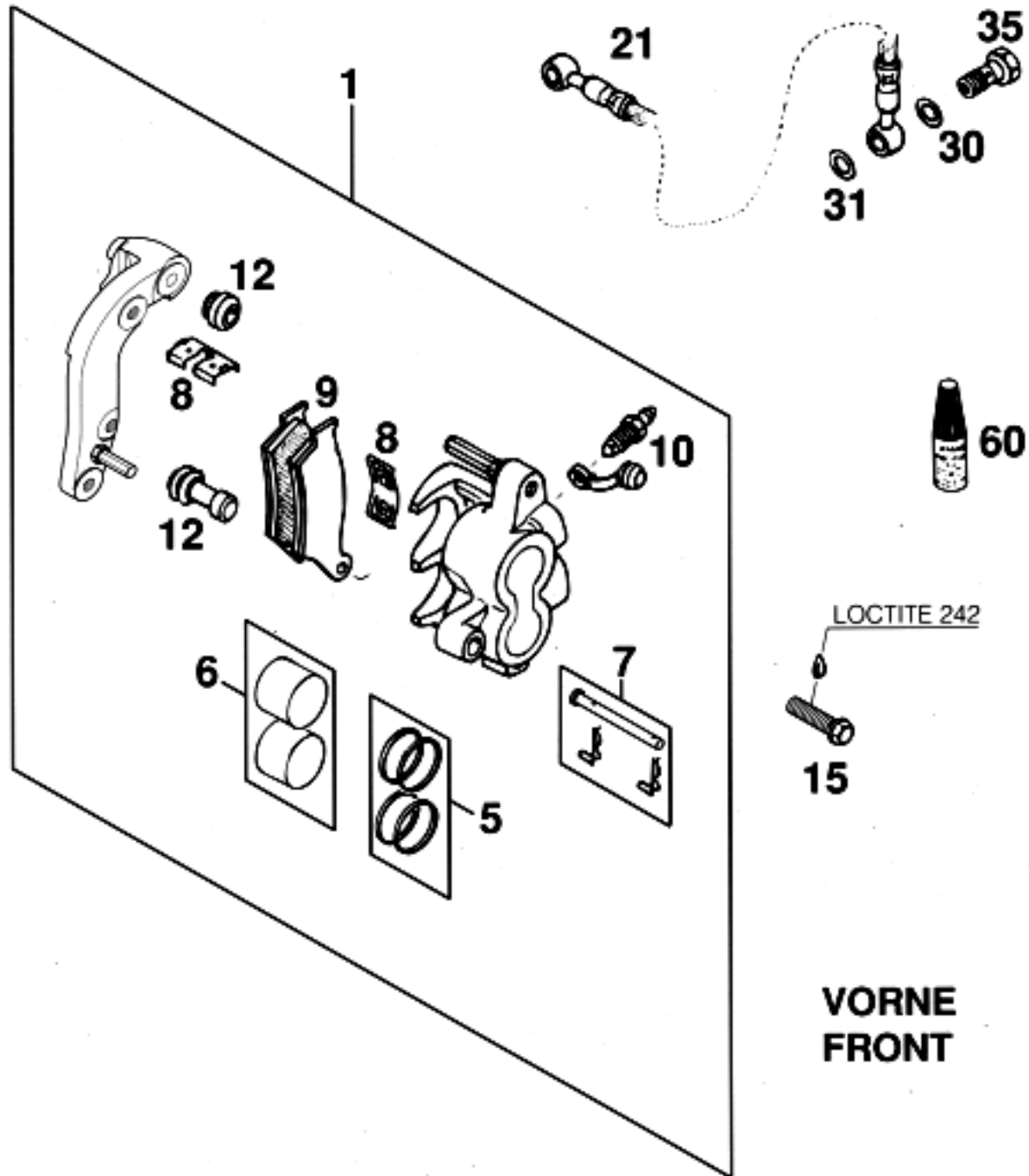


FIG	TEILNR/PARTNR	DESCRIPTION	QTY
1*	590.13.015.144	BRAKECALIPER FRONT BREMBO 2000	1
5	546.13.205.000	REPAIR KIT 28MM	1
6	546.13.206.000	REPAIR KIT PISTON 28MM	1
7	546.13.210.100	BOLT CPL. 6X56	1
8	546.13.212.000	RETAINING PLATE SET BREMBO	1
9	503.13.030.000	BRAKE PAD SET TOSHIBA H38	X
9	546.13.209.044	BRAKE PAD SET FERODO ID450	X
9*	503.13.030.100	BRAKE PAD SET BREMBO TT2701	1
10	545.13.214.000	BLEEDER SCREW M10X1	1
12	546.13.218.000	CUP SET SHORT	1
15	0015 080353	HH COLLAR SCREW M 8X35 WS=10	2
21*	590.13.010.000	BRAKEHO. FRONT 1235MM SX 2000 125-380 SX	1
21*	590.13.011.000	BRAKEHO. FRONT 1300MM EXC 2000 125-380 MXC,EXC	1
30	420.13.226.000	CU-SEAL RING DIN7603-10X16X1	2
31	420.13.026.000	CU-SEAL RING DIN7603-10X16X1,5	2
35	502.13.025.000	HOLLOW SCREW M10X1X19	1
60	6 899 785	LOCTITE 242 BLUE 6CCM	1

**VORNE
FRONT**

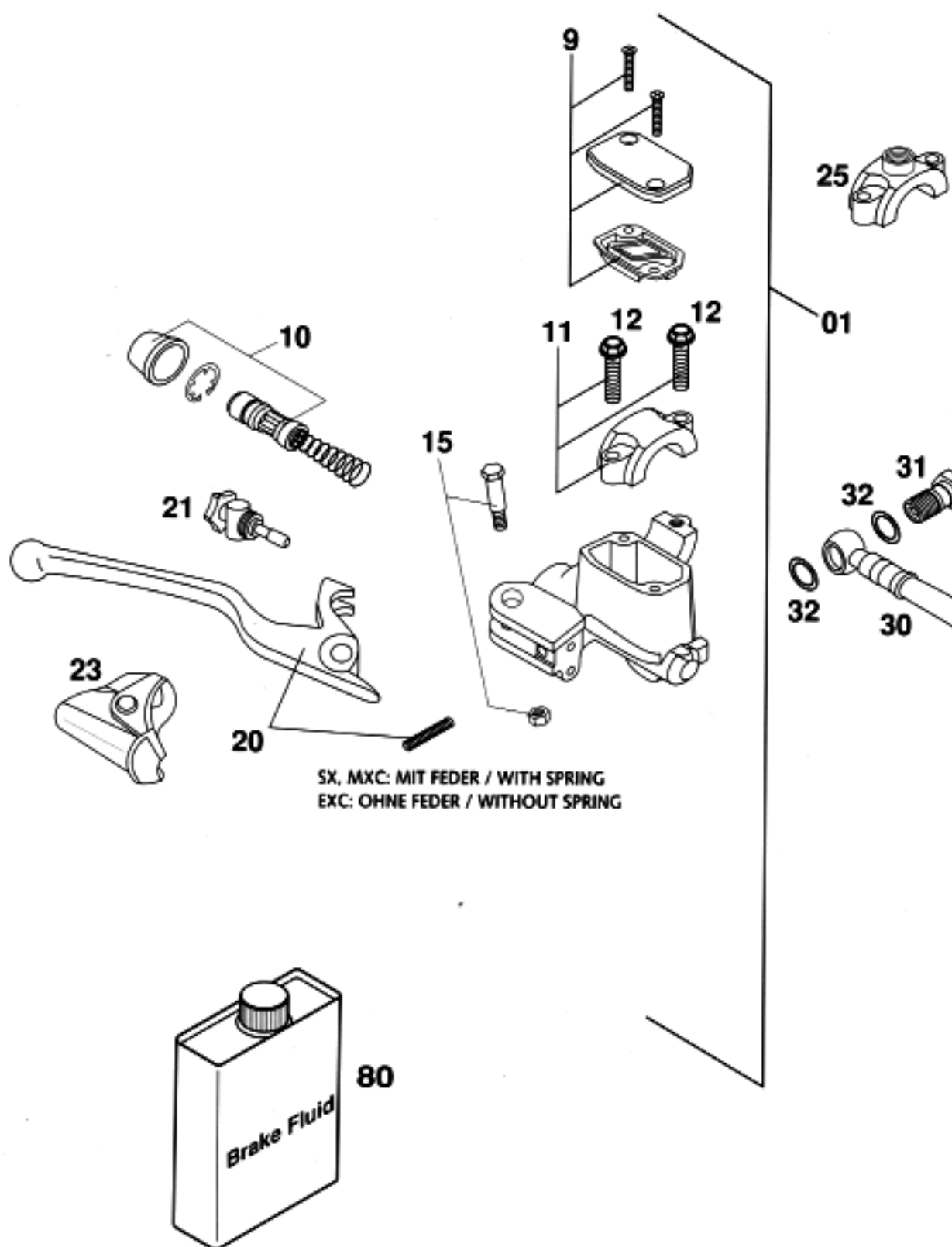


FIG	TEILNR/PARTNR	DESCRIPTION	QTY
01*	503.13.001.000	HANDBRAKE CYL.SMALL NAT. 2000	1
9*	503.13.003.000	HANDBRAKE CYL.COVER CPL.NATURE	1
10*	503.13.008.000	REP.SET PISTON SX 2000	1
10*	503.13.008.100	REP.SET PISTON EXC 2000	1
11*	503.13.005.000	CLAMP CPL. NATURE	1
12	0015 060253	HH COLLAR SCREW M 6X25 WS=8	2
15*	503.13.006.000	LEVER SCREW CPL. MOD.2000	1
20*	503.13.002.000	HANDBRAKELEVER SHORT 18MM 2000	1
21*	503.13.007.000	ADJUSTING SCREW CPL. SX 2000	1
21*	503.13.007.100	ADJUSTING SCREW CPL. EXC 2000	1
23*	503.13.004.000	PROTECTION CAP HAND BRAKE CYL.	1
25	580.12.040.150	CLAMP FOR MIRROW '94	X
30*	590.13.010.000	BRAKEHO. FRONT 1235MM SX 2000 125/250/380 SX	1
30*	590.13.011.000	BRAKEHO. FRONT 1300MM EXC 2000 125/200/250/300/380 MXC, EXC	1
31	502.13.025.000	HOLLOW SCREW M10X1X19	1
32	420.13.226.000	CU-SEAL RING DIN7603-10X16X1	2
80	306054	BRAKE FLUID DOT 5.1	1

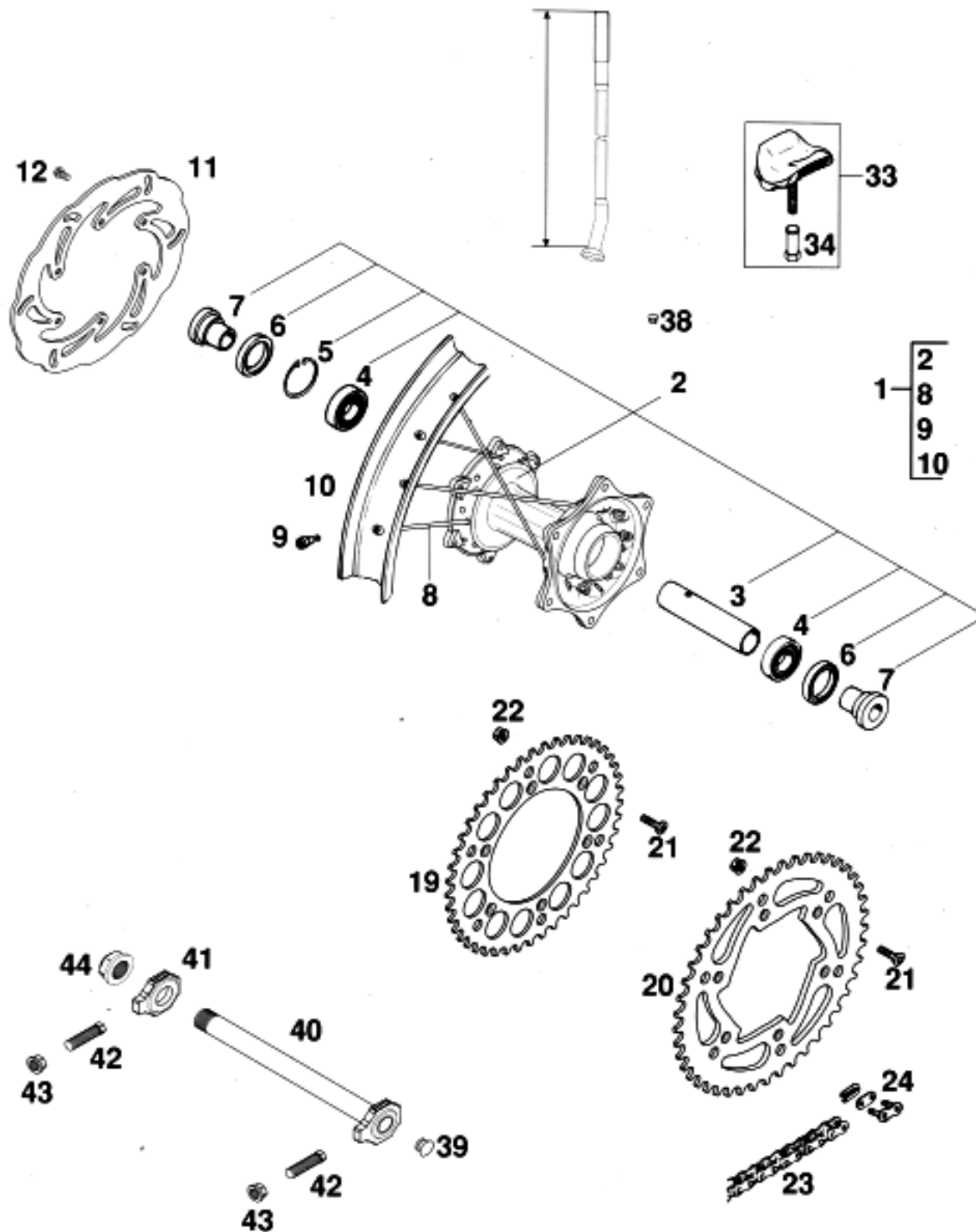


FIG	TEILNR/PARTNR	DESCRIPTION	QTY
1*	503.10.001.144	R.WHEEL CPL.2.15X19"EXCEL 2000 125/250/380 SX	1
1*	503.10.001.244	REARWHEEL CPL.2.15X18"DID 2000 125-380 MXC,EXC	1
2*	503.10.010.044	REARWHEEL HUB CPL.125-380 2000	1
3	565.10.011.000	BEARING SPACER TUBE 121,5MM	1
4	0625 060058	GROOVED BALL BEAR. 6005 2RS C3	2
5	0472 047175	CIRCLIP DIN0472-47X1,75	1
6	0760 324771	SHAFT SEAL RING 32X47X7 BSL	2
7	546.10.016.000	BUSHING FOR HUB	2
8*	503.10.071.207	SPOKE M5X207-10G 19" DDE	36
8*	503.10.071.197	SPOKE M5X197-10G 18" DDE	36
9	583.09.072.000	STEEL NIPPLE M5 CHROME PLATED	36
10	546.10.070.100	REAR RIM 2,15X19" EXCEL	1
10	546.10.070.300	REAR RIM 2,15X18" DID	1
11*	503.10.060.000	BRAKE DISC REAR D=220MM 2000	1
12	0015 060123	HH COLLAR SCREW M 6X12 WS=8	6
19	583.10.051.038	REAR SPROCKET 38-T	X
19	583.10.151.040	REAR SPROCKET 40-T	X
19	583.10.051.042	REAR SPROCKET 42-T	X
19	583.10.151.045	REAR SPROCKET 45-T	X
20	583.10.151.048	REAR SPROCKET 48-T	1
20	583.10.151.050	REAR SPROCKET 50-T	1
20	583.10.151.052	REAR SPROCKET 52-T	1
21*	545.10.052.100	SPROCKET SCREW-AH M8X26 10.9	6
22*	543.10.086.200	SELF LOCKING NUT M8 10.9	6
23	500.10.065.000	CHAIN 118 ROLLS	1
23	500.10.065.100	O-RING CHAIN 5/8X1/4" DID 118 ROLLS	1
23	500.10.065.001	CHAIN /M	X
23	500.10.065.101	O-RING CHAIN 5/8X1/4"PER METER	X
24	500.10.066.000	MASTER LINK 5/8X1/4"	1
24	500.10.066.100	MASTER LINK 5/8X1/4" O-RING	1
33	540.10.100.100	RIM LOCK VM3 (2.15")	1(2)

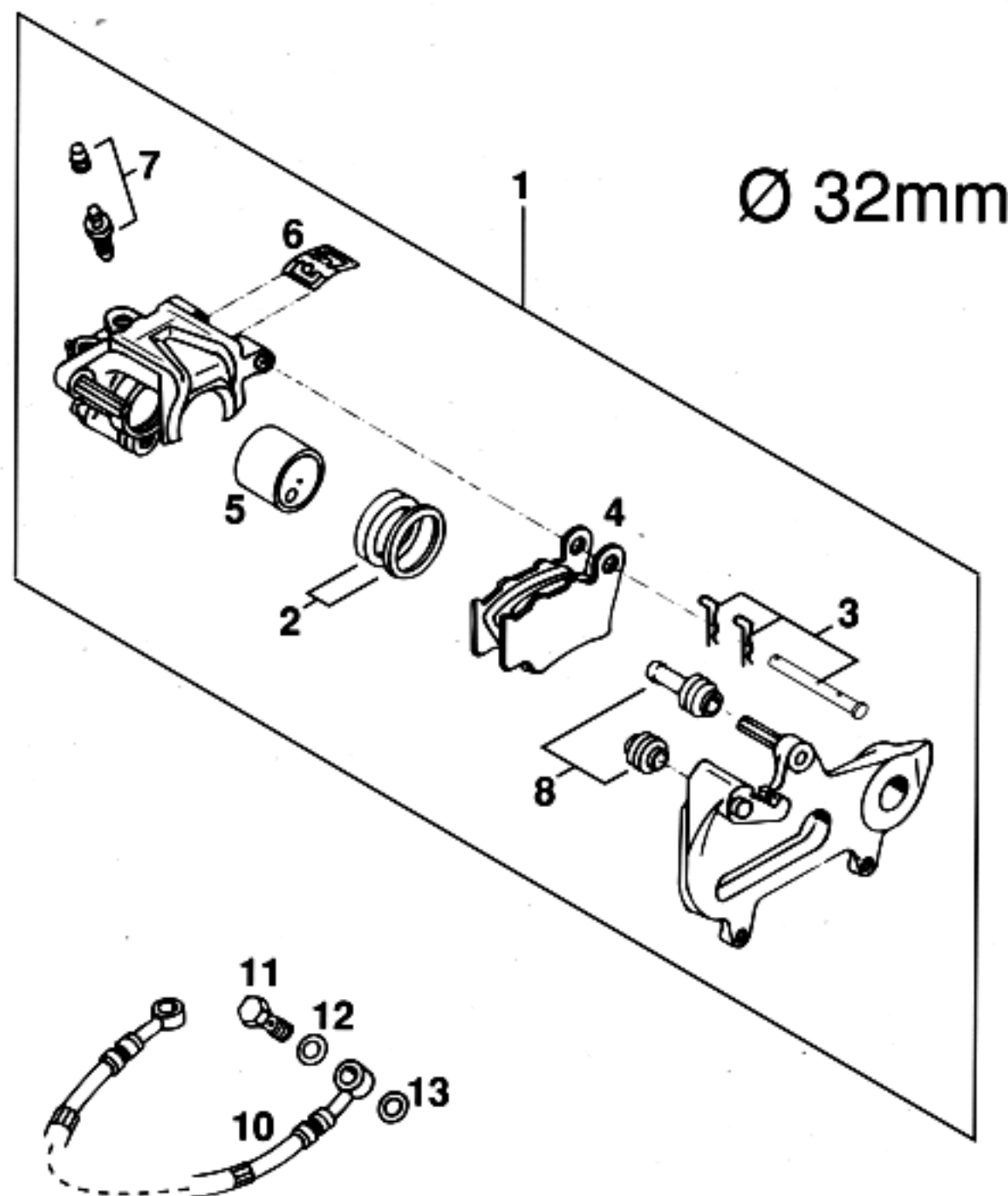


FIG	TEILNR/PARTNR	DESCRIPTION	QTY
1	503.13.080.044	BRAKE CALIPER REAR BREMBO '99	1
2	503.13.081.000	REPAIR KIT SEALING RINGS 32MM	1
3	503.13.082.000	BOLT SET F. BRAKE CALIPER 32MM	1
4	546.13.309.200	BRAKE PAD SET FERODO ID450	1
4	546.13.309.300	BRAKE PAD SET SINTER	X
4*	546.13.309.400	BRAKE PAD SET FERRIT222	X
5	503.13.083.000	BRAKE PISTON 32MM	1
6	546.13.311.200	RETAINING SPRING	1
7	545.13.214.000	BLEEDER SCREW M10X1	1
8	546.13.218.000	CUP SET SHORT	1
10	503.13.070.000	BRAKE HOSE RE.590MM 125-380'98	1
11	502.13.025.000	HOLLOW SCREW M10X1X19	1
12	420.13.226.000	CU-SEAL RING DIN7603-10X16X1	1
13	420.13.026.000	CU-SEAL RING DIN7603-10X16X1,5	1

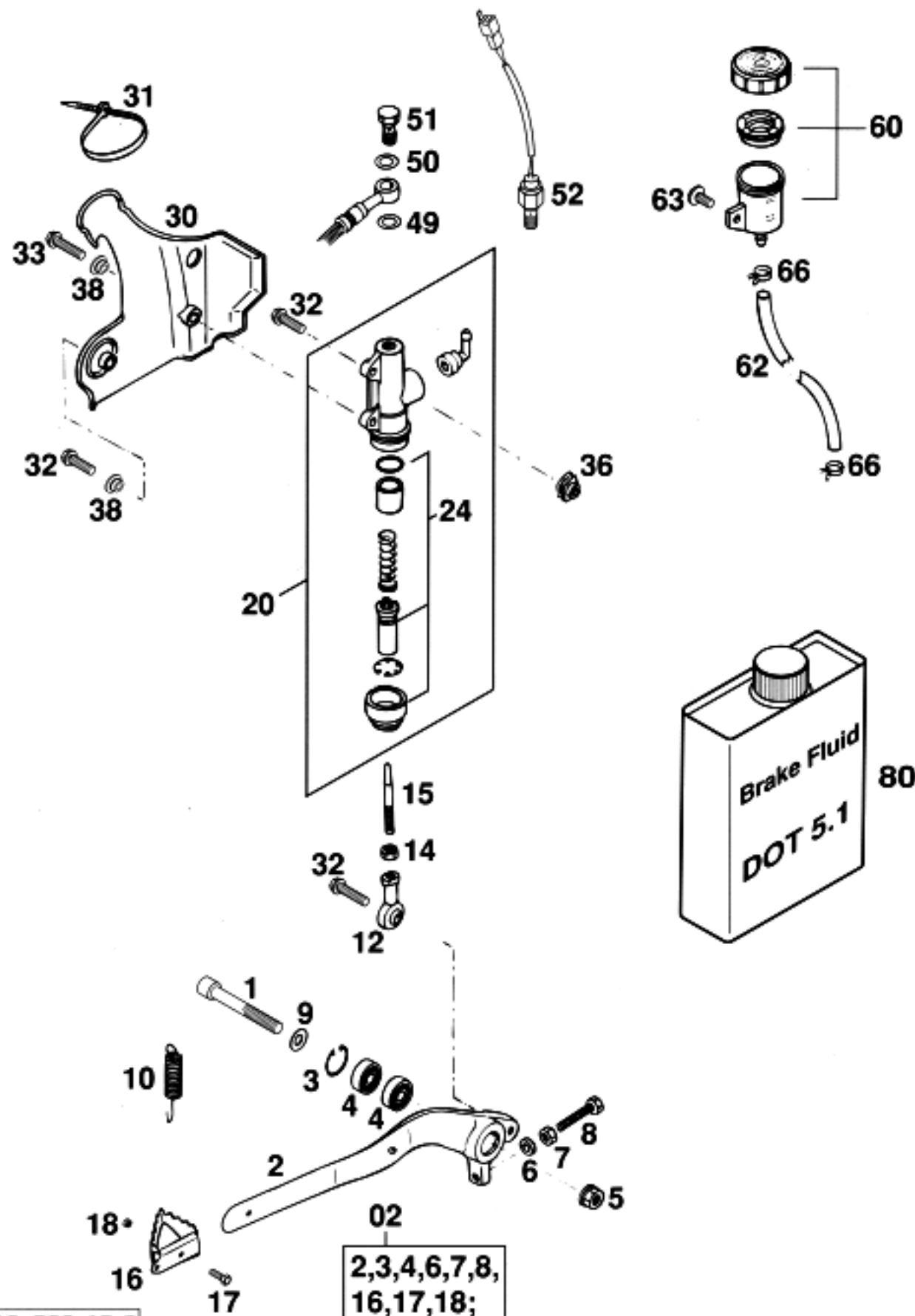


FIG	TEILNR/PARTNR	DESCRIPTION	QTY
1*	0912 080603	AH SCREW DIN0912-M 8X60	1
02	546.03.060.144	FOOT BRAKE LEVER CPL. 250'91	1
3	0472 022100	CIRCLIP DIN0472-22X1	1
4	0625 006087	GROOVED BALL BEAR. 608 2RS C3	2
5*	543.10.086.200	SELF LOCKING NUT M8 10.9	1
6	120.11.016.000	WASHER 6 X 12 X 3	1
7	0934 060003	HEXAGON NUT DIN0934-M 6	1
8	0933 060353	HH SCREW DIN0933-M 6X35	1
9	0125 080003	WASHER DIN0125-A 8,4	1
10	546.03.062.000	RETURN SPRING FOR BRAKE LEVER	1
12	546.03.069.000	SWIVEL HEAD M6 FOOT BRAKELEVER	1
14	0934 060003	HEXAGON NUT DIN0934-M 6	1
15	546.03.068.000	PRESSURE ROD ALU 250 '90	1
16	546.03.060.150	STEP PLATE FOR BRAKE LEVER	1
17	0933 050163	HH SCREW DIN0933-M 5X16	1
18	0985 050003	SELF LOCKING NUT DIN0985-M 5	1
20*	503.13.060.000	FOOTBRAKE CYLINDER D=12MM 2000	1
24*	503.13.061.000	REP. KIT PISTON 12MM 2000	1
30*	546.13.038.100	BRAKECYL.PROTECT.125-380 2000	1
31	440.11.076.200	CABLE TIE 200MM	1
32	0015 060203	HH COLLAR SCREW M 6X20 WS=8	3
33	0015 060253	HH COLLAR SCREW M 6X25 WS=8	1
36	502.35.033.300	SNAP-NUT HOLDER M6 KP142	2
38	503.08.053.000	BUSH FOR SPOILER 6X11X16X7,5	2
49	420.13.026.000	CU-SEAL RING DIN7603-10X16X1,5	1
50	420.13.226.000	CU-SEAL RING DIN7603-10X16X1	1
51	502.13.025.000	HOLLOW SCREW M10X1X19	1
52	503.11.051.100	BRAKE LIGHT SWITCH REAR '98	1
60	545.13.030.044	BRAKE FLUID RESERVOIR '89	1
62	580.07.016.101	HOSE FOR RESERVOIR 6X1,5	0,4
63	0014 060103	HH COLLAR SCREW M 6X10 WS=8	1
66	580.07.017.000	YDNAC CLAMP 10101 (9MM)	2
80	306054	BRAKE FLUID DOT 5.1	1

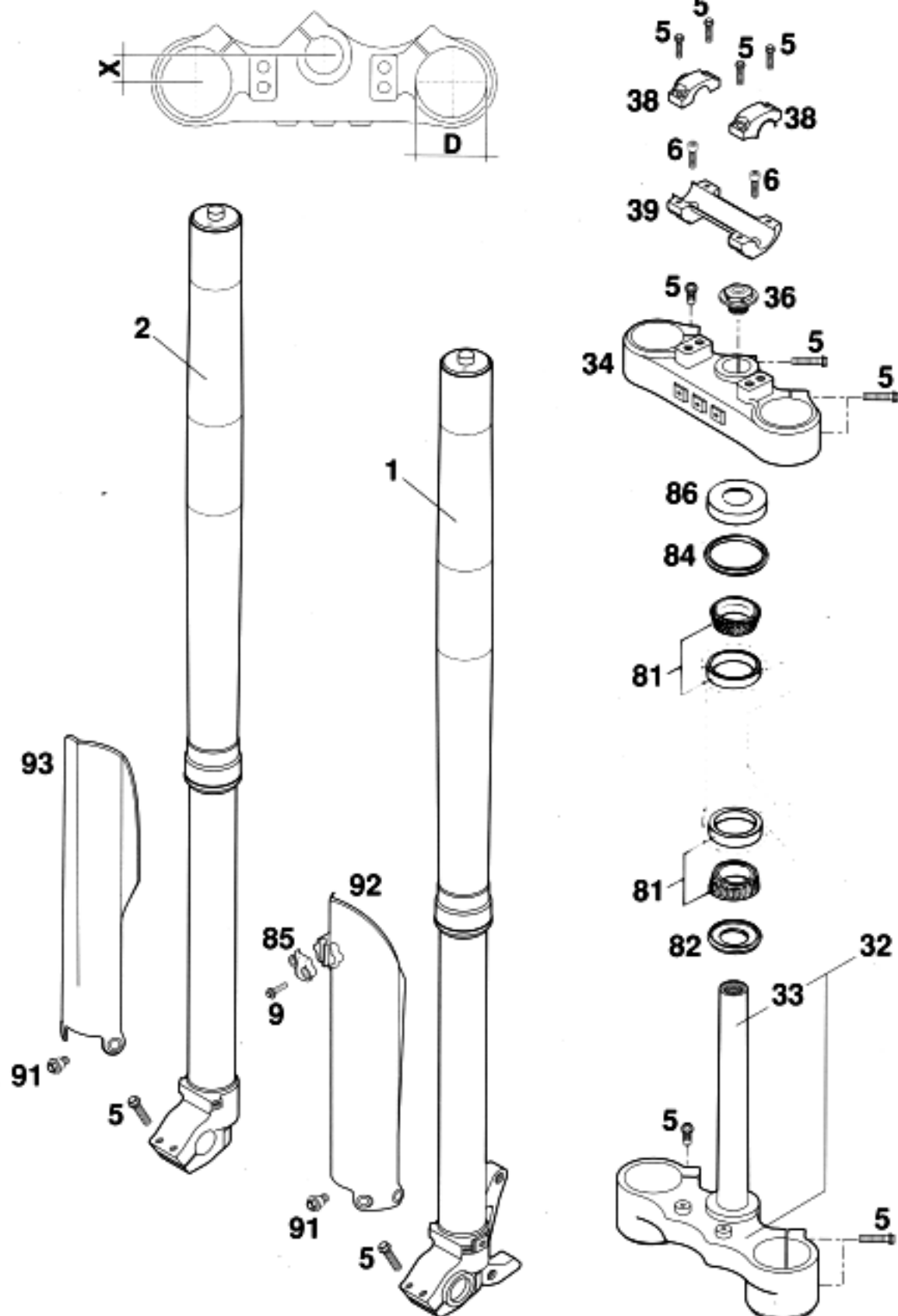


FIG	TEILNR/PARTNR	DESCRIPTION	QTY
1*	0518.U783LS	FORK LEG L/S WP43 125 SX 2000	1
1*	0518.U784LS	FORK LEG L/S WP43 125/200 2000	1
2*	0518.U783RS	FORK LEG R/S WP43 125 SX 2000	1
2*	0518.U784RS	FORK LEG R/S WP43 125/200 2000	1
5	0015 080303	HH COLLAR SCREW M 8X30 WS=10	17
6	0912 100258	AH SCREW DIN6912-M10X25	2
9	0017 060203	SPECIAL SCREW T60 M 6X20	2
32*	590.01.132.020	BOT.TRIPLE CLAMP X=20MM/D=57MM	1
33	501.01.033.100	FORK TUBE L=244 '91	1
34*	590.01.034.020	TOP TRIPLE CLAMP X=20MM/D=54MM	1
36*	503.01.036.000	STEER.HEAD SCREW M20X1,5 SW=27	1
38*	590.01.038.000	HANDLEBAR CLAMP 22MM 2T 2000	2
39*	590.01.039.000	HANDLEBAR SUPPORT 22M 2T 2000	1
81	542.01.081.000	TAPERED ROLLER BEARING	2
82	546.01.084.100	O-RING SUPPORT W. SEALING LIP	1
84	546.01.184.000	STEERING HEAD GASKET TOP	1
85*	590.01.085.000	CLAMP F. BRAKE HOSE SC '99	1
86	542.01.086.000	STEERING HEAD COVER	1
91*	590.01.092.050	SPECIAL SCREW M6X12,5 SW=8	6
92*	590.01.092.000	FORK PROTEC. L/S SILVER SC '99	1
93*	590.01.093.000	FORK PROTEC. R/S SILVER SC '99	1

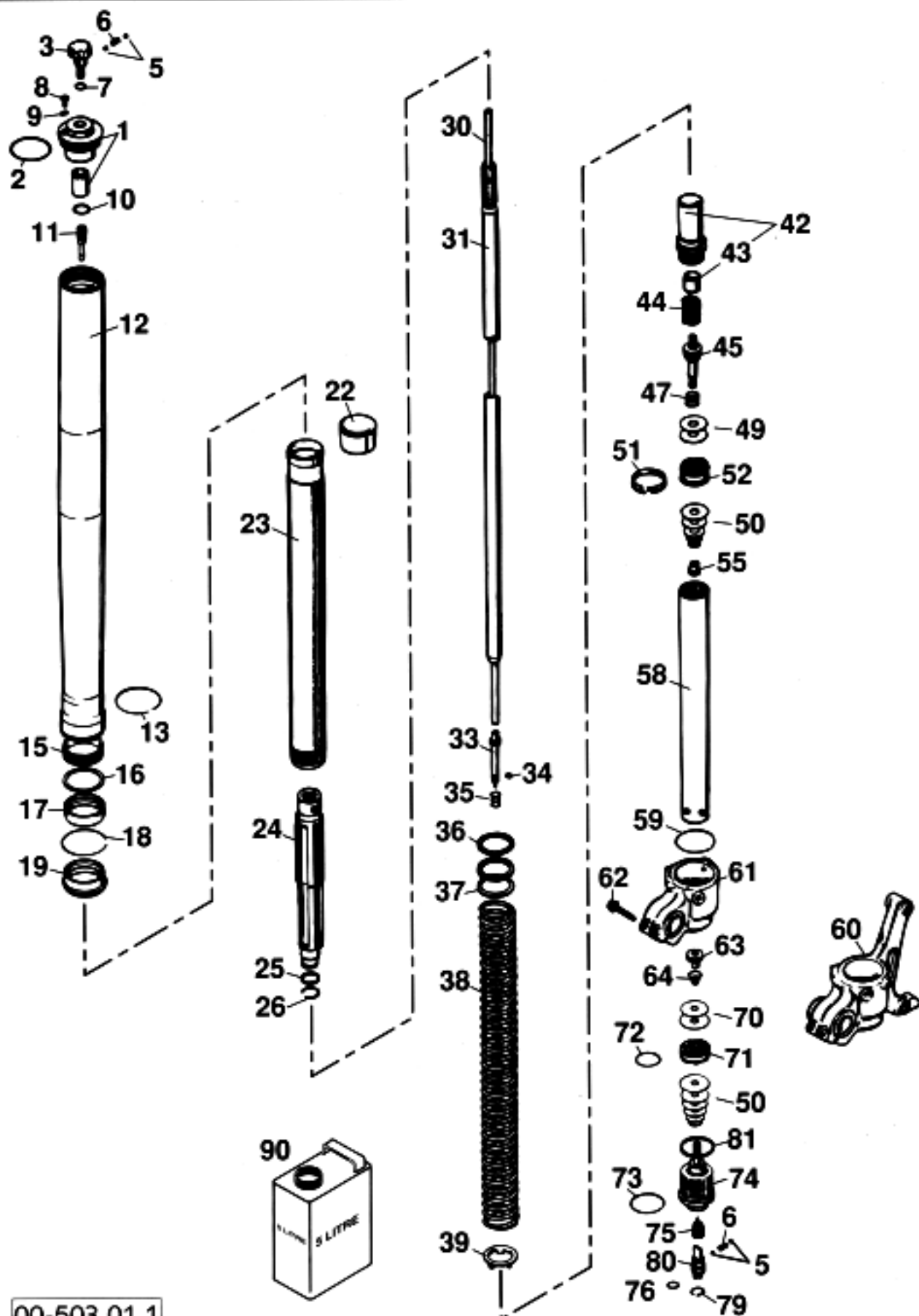


FIG	TEILNR/PARTNR	DESCRIPTION	QTY
1*	4860.0020S	SREW CAP+BUSH M51X1,5	2
2*	4681.0016	O-RING NBR 48X2	2
3*	4860.0018	KNOB REBOUNG ADJUSTER	2
5*	4054.0603	STEEL BALL D=3MM	8
6*	4860.0028	SPRING D=2,9 L=7,9	4
7*	4860.0044	O-RING NBR 6X1,5	2
8*	4860.0058	VENT SCREW M4X6	2
9*	4860.0009	O-RING NBR 3,7X1,6	2
10*	4860.0043	O-RING NBR 12X1,5	2
11*	4860.0019	HOLDER F.ADJUSTMENT TUBE D=4MM	2
12	4357.0125	OUTER TUBE L=577MM D=54/57MM	2
13*	4357.0099	GUIDING RING D=53MM	2
15*	4357.0019	DU-BUSH 47 X 43 X 20	2
16*	4357.0092	SUPPORT RING 45 X 52,5 X 1,5	2
17*	4357.0140	OIL SEAL RING 43X53,15X9,5	2
18*	4357.0008	LOCK WASHER SB53	2
19*	4357.0094	DUST STRIPPER D=43MM	2
22*	4357.0020	DU-BUSH 43,8 X 43 X 20	2
23*	4357.0145	INNER TUBE D=43MM L=585MM 125/250/380 SX	2
23*	4357.0089	INNER TUBE D=43MM L=600MM 125-380 MXC,EXC	2
24*	4357.0142S	HYDR.STOP L=200MM D=27,5 CPL.	2
25*	4860.0012	RING HYDR.STOP	2
26*	4860.0045	LOCK WASHER SW18	2
30*	4860.0014	ADJUSTMENT TUBE L=512MM	2
31*	4860.0023	PISTONROD D=14MM L=546MM M11X1	2
33*	4860.0003	REBOUNG NEEDLE	2
34*	4860.0046	O-RING NBR 3X1,5	2
35*	4860.0033	SPRING REBOUNG NEEDLE C=4N/MM	2
36*	4860.0036	SPACER 42X26,5X2,5	X
36*	4860.0037	SPACER 42X26,5X5	X
36*	4860.0038	SPACER 42X26,5X10	X
37*	4860.0039	RING 26,5X42X1,5	2
38*	9501.0010S	SPRING 3,6 N/MM SET D=4,6MM	X
38*	9501.0001S	SPRING 3,8 N/MM SET D=4,75	1
38*	9501.0002S	SPRING 4,0 N/MM SET D=4,75MM	1
38*	9501.0003S	SPRING 4,2 N/MM SET D=4,9MM	X
38*	9501.0004S	SPRING 4,4 N/MM SET D=4,9MM	X
39*	4357.0131	INTERM. RING 26,2X38,5X3	2
42*	4357.0132S	SCREW SLEEVE M29,3X1+BUSH	2
43*	4681.0651	DU-BUSH 14X16X12	2

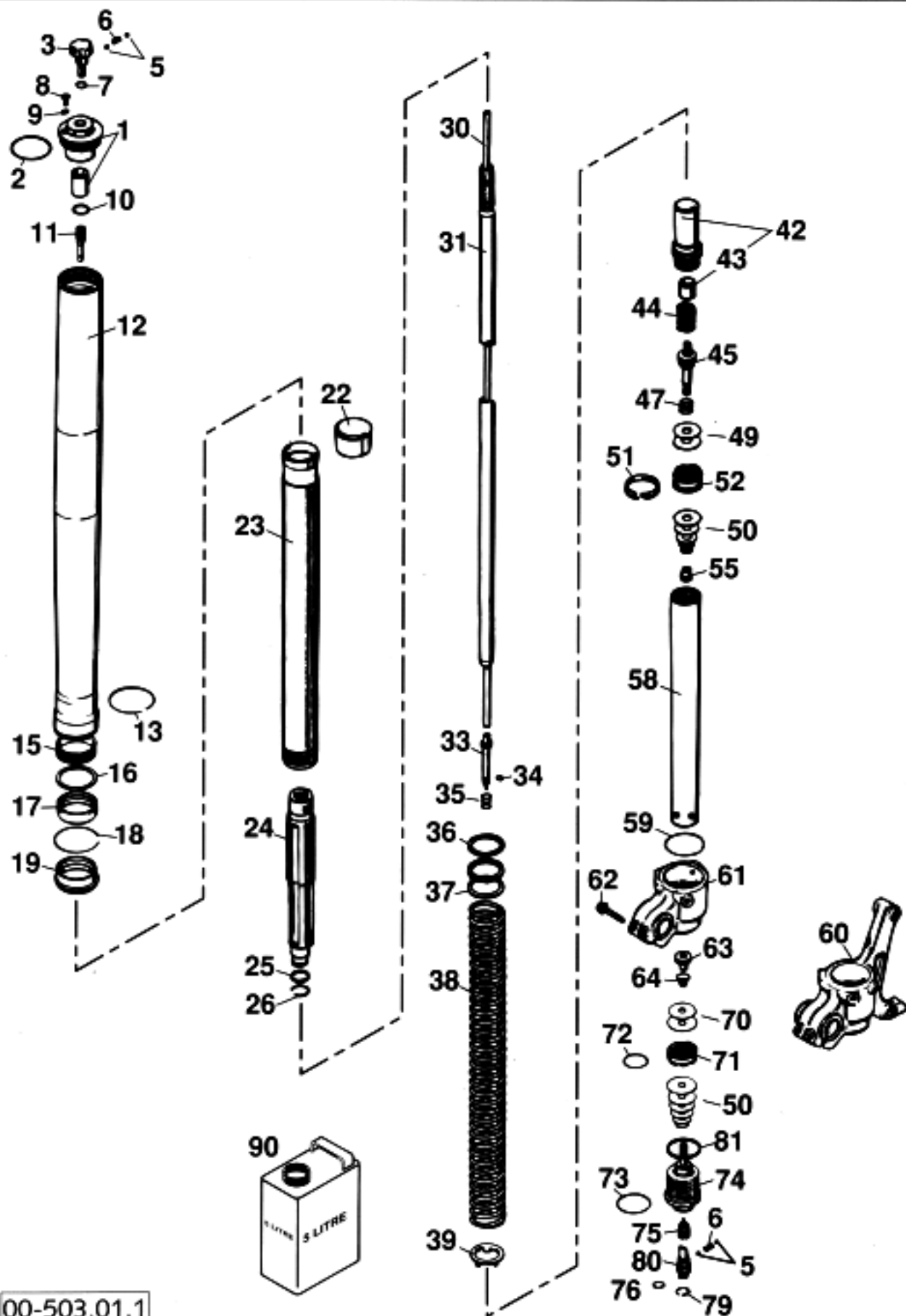
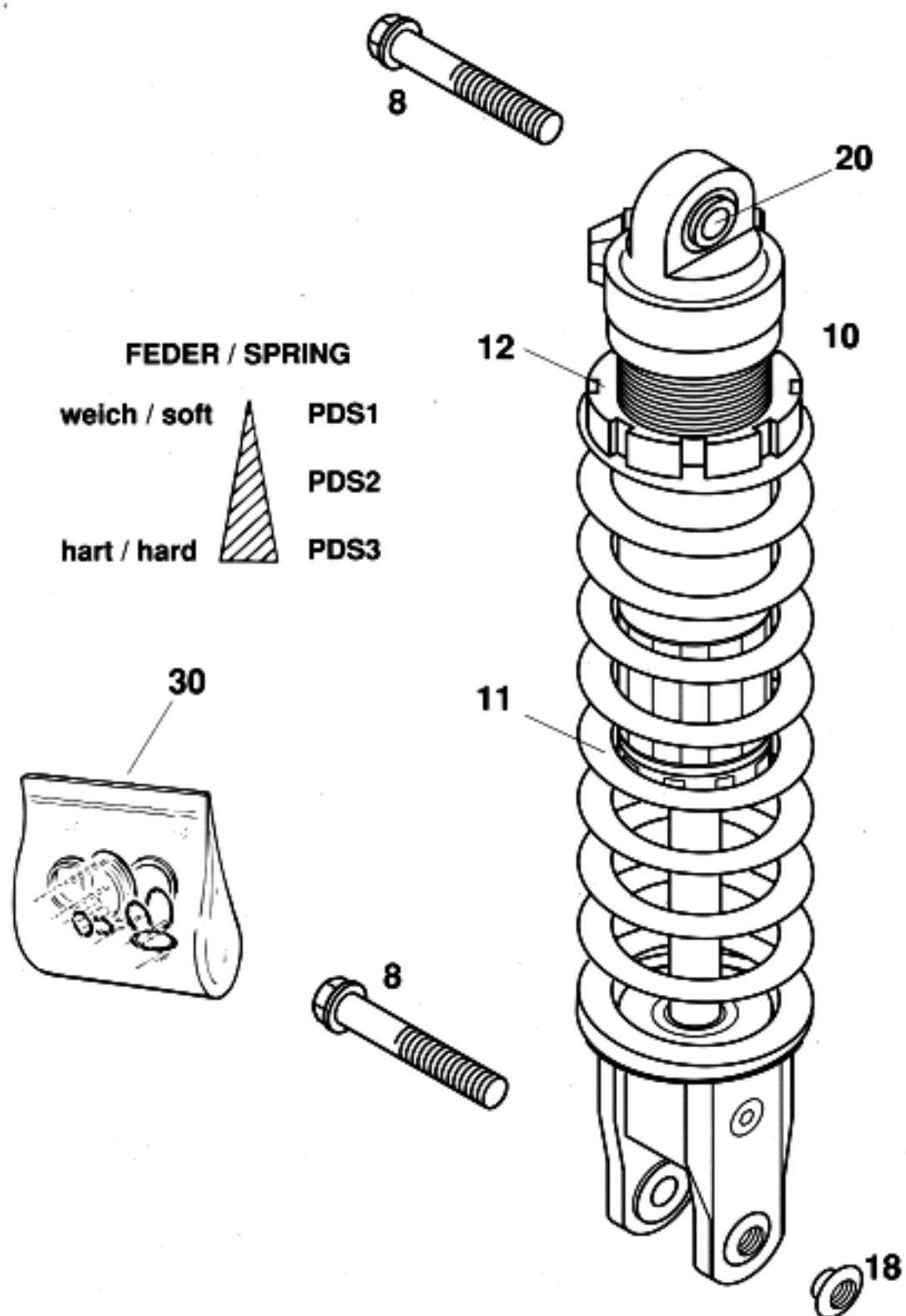


FIG	TEILNR/PARTNR	DESCRIPTION	QTY
44*	4860.0015	REBOUND SPRING D=14,6MM L=22MM	2
45*	4860.0025	TAP REBOUND	2
47*	4860.0059	SPRING CHECK VALVE D=0,25	2
49*	4860.0062	CHECK VALVE 8X24X0,1	8
50*	4054.0400	SHIM 6X12X0,1	X
50*	4054.0401	SHIM 6X14X0,1	X
50*	4054.0402	SHIM 6X16X0,1	X
50*	4054.0403	SHIM 6X18X0,1	X
50*	4054.0404	SHIM 6X12X0,15	X
50*	4054.0405	SHIM 6X14X0,15	X
50*	4054.0406	SHIM 6X16X0,15	X
50*	4054.0407	SHIM 6X18X0,15	X
50*	4054.0411	SHIM 6X18X0,2	X
50*	4054.0414	SHIM 6X16X0,25	X
50*	4054.0447	SHIM 6X10X0,3	X
50*	4054.1383	SHIM 6X11X0,1	X
50*	4054.1391	SHIM 6X11X0,3	X
50*	4860.0063	SHIM 6X24X0,1	X
50*	4860.0064	SHIM 6X22X0,1	X
50*	4860.0065	SHIM 6X20X0,1	X
50*	4860.0066	SHIM 6X24X0,1	X
50*	4860.0067	SHIM 6X22X0,1	X
51*	4860.0060	PISTON RING 5X1X84	2
52*	4860.0042	PISTON REBOUND	2
55*	4054.0486	NUT M6X0,5 REBOUND	2
58*	4860.0022	TUBE 29,3X1X390	2
59*	4357.0023	O-RING NBR 41X2	2
60*	4357.0123	AXLE CLAMP LEFT 220MM M8 2000	1
61*	4357.0124	AXLE CLAMP RIGHT M8 2000	1
62*	5060.0061	HH COLLAR SCREW M 8X30	4
63*	4054.1241	CHECK VALVE NUT M6X0,5	2
64*	4054.1278	SPRING CHECK VALVE D=0,5MM	2
70*	4860.0061	CHECK VALVE 8X24X0,4	2
71*	4860.0047	PISTON COMPRESSION	2
72*	4681.1499	O-RING NBR 21X2	2
73*	3548.0320	O-RING NBR 24X2	2
74*	4860.0027S	TAP COMPRESSION	2
75*	4860.0035	NEEDLE COMPRESSION M10X1	2
76*	4860.0049	O-RING NBR 8X2	2
79*	4860.0051	LOCK WASHER RB12	2
80*	4860.0034	COMPRESSION ADJ. SCREW	2
81*	4860.0004	COPPER WASHER 29,5X33,5X1	2
90	4054.0882	FORKOIL REZ 71 SAE 5	1

* / AS REQUIRED

FIG	TEILNR/PARTNR	DESCRIPTION	QTY
8	0015 120556	HH COLLAR SCREW M12X55 WS=13	2
10*	1218.U717	MONOSHOCK WP PDS 125 SX 2000 125 SX	1
10*	1218.U719	MONOSH.WP PDS 125/200EXC 2000 125 EXC/EGS, 200 MXC/EXC/EGS	1
11	9121.0009	SPRING PDS1-250	1
11	9121.0010	SPRING PDS2-250	1
11	9121.0011	SPRING PDS3-250	X
12*	5018.0186	SPRINGRETAINER PDS M6 2000	1
18	503.04.018.000	BUSHING M12 PDS '98	1
20	5018.0151S	BUSH+BEARINGS CPL. PDS 12MM'99	1
30	R120.04	REP.KIT GASKET RINGS PDS '99	1



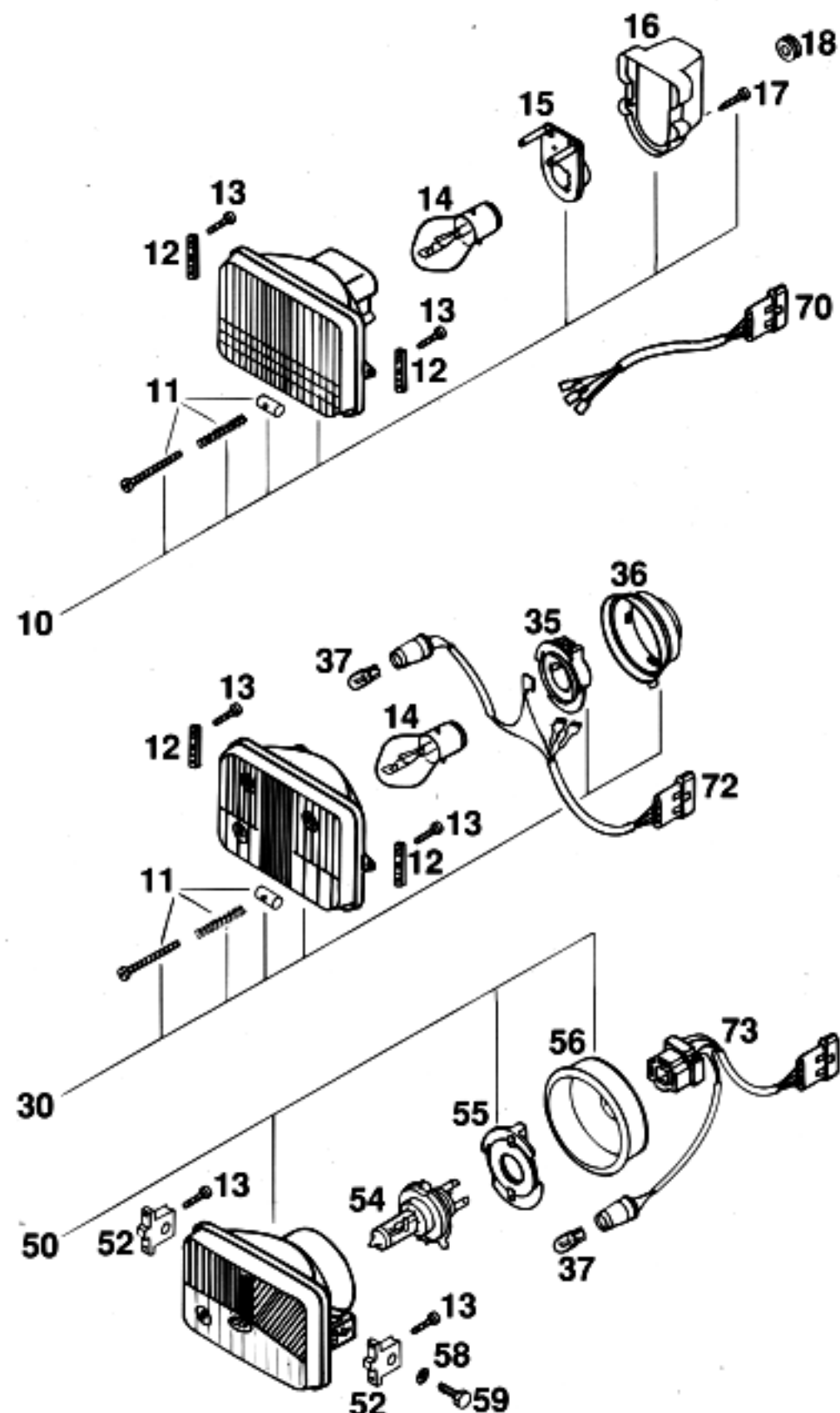


FIG	TEILNR/PARTNR	DESCRIPTION	QTY
10	502.11.610.000	HEADLIGHT CPL. ELCOM '93	1
11	502.11.631.000	ADJUSTING SCREW CPL. M4X40	1
12	502.11.410.050	HEADLIGHT BRACKET '93	2
13	0016 040183	PLASTIC SCREW KB40X18 WN1412	4
14	441.11.038.000	BILUX-BULB 12V 35/35W BA20D	1
15	570.11.036.000	BULB SOCKET	1
16	502.11.637.000	COVER CAP	1
17	0981 350133	SHEET MET.SCR.DIN7981-3,5X13	2
18	310.08.060.000	RUBBER SLEEVE D=8MM OPEN	1
30	502.11.410.000	HEADLIGHT CPL. CEV 322 '93	1
35	502.11.436.000	BULB SOCKET	1
36	502.11.437.000	COVER CAP	1
37	490.11.435.000	BULB 12V 5W (W2,1X9,5D)	1
50	502.11.510.000	HEADLIGHT CPL. CEV 394 '93	1
52*	584.14.010.000	HEAD LIGHT SUPPORT '98	2
54	571.11.038.000	BULB H4 12V 60/55W (P43T)	1
55	490.11.436.000	BULB HOLDER	1
56	502.11.537.000	RUBBER CAP	1
58	0797 060003	TOOTH LOCK WASH. DIN6797-A 6,4	2
59	0933 060203	HH SCREW DIN0933-M 6X20	2
70	502.11.610.010	CABLE FOR HEADLIGHT '93	1
72	502.11.410.010	CABLE FOR HEADLIGHT '93	1
73	502.11.510.010	CABLE FOR HEADLIGHT '93	1

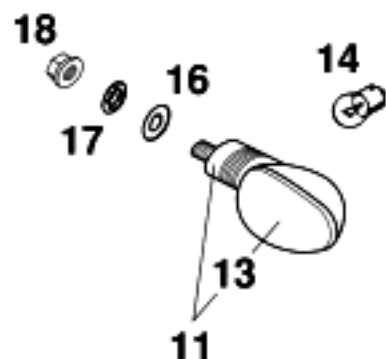
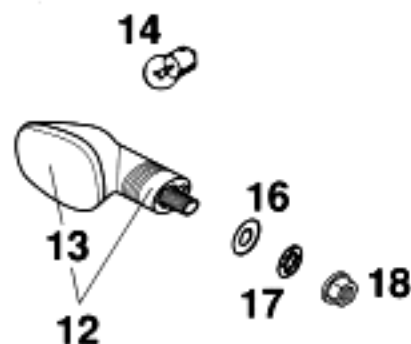
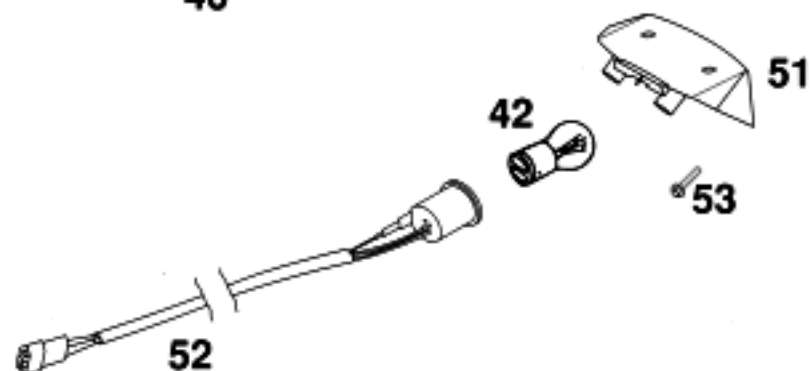
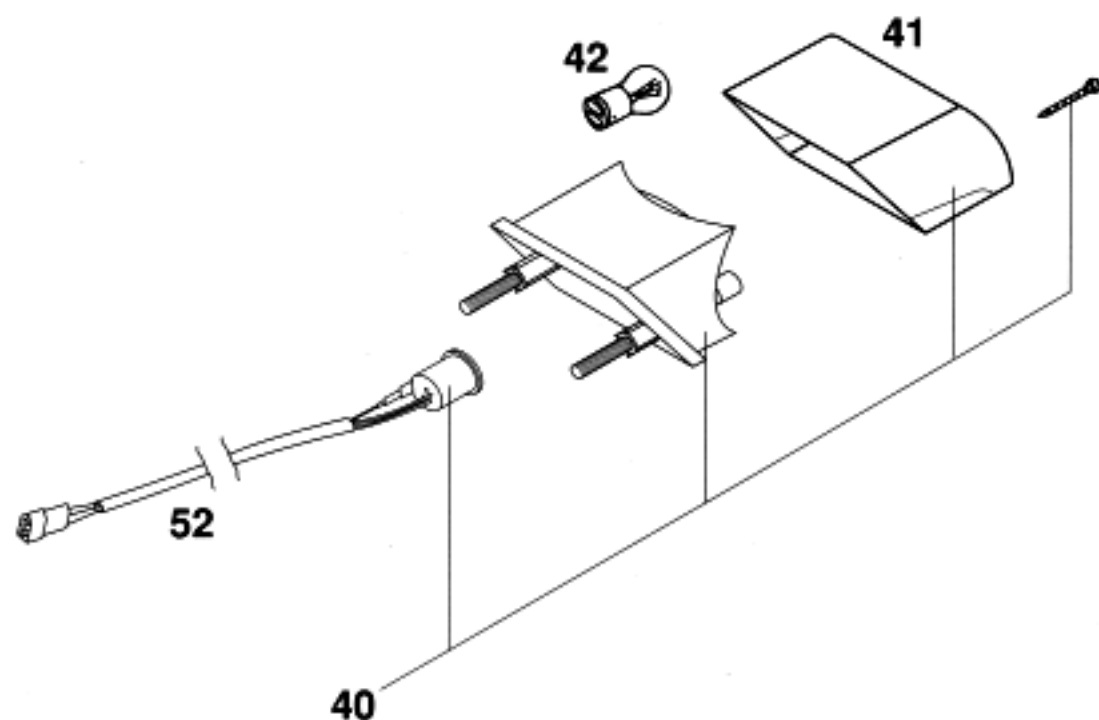


FIG	TEILNR/PARTNR	DESCRIPTION	QTY
11*	584.14.025.000/30	FLASHER CPL.FRONT L/S REAR R/S BLACK	2
12*	584.14.026.000/30	FLASHER CPL.FRONT R/S REAR L/S BLACK	2
13*	584.14.028.000	FLASHER LENS L/S & R/S '98	4
14	441.11.015.100	BULB 12V 10W (BA15S)	4
16	0125 100003	WASHER DIN0125-A10,5	4
17	0797 100003	LOCK WASHER DIN6797-J10,5 ZI	4
18*	584.14.030.000	HH COLLAR NUT M10X1,25 WS=13	4
40	503.14.040.100	REAR LIGHT CPL.125-380 EGS '98	1
41	503.14.041.100	REAR LIGHT LENS 125-380 EGS'98	1
42*	584.14.042.000	BULB 12V 21/5W REINFORCED	1
51	503.14.041.000	REAR LIGHT LENS 125-380 EXC'98	1
52	503.11.076.000	WIRING HARNESS REAR 125-380'98	1
53	0017 060203	SPECIAL SCREW T60 M 6X20	2

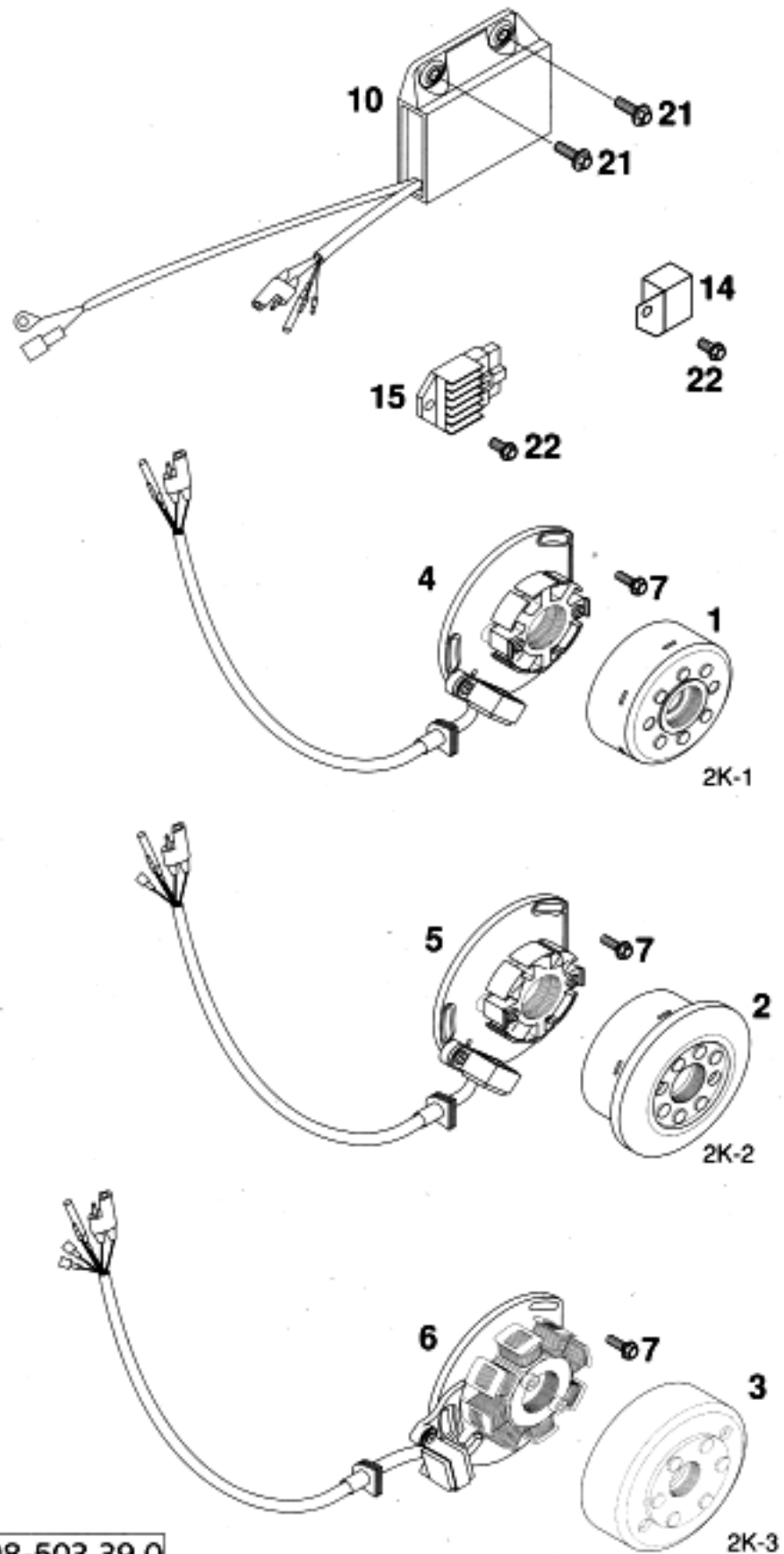
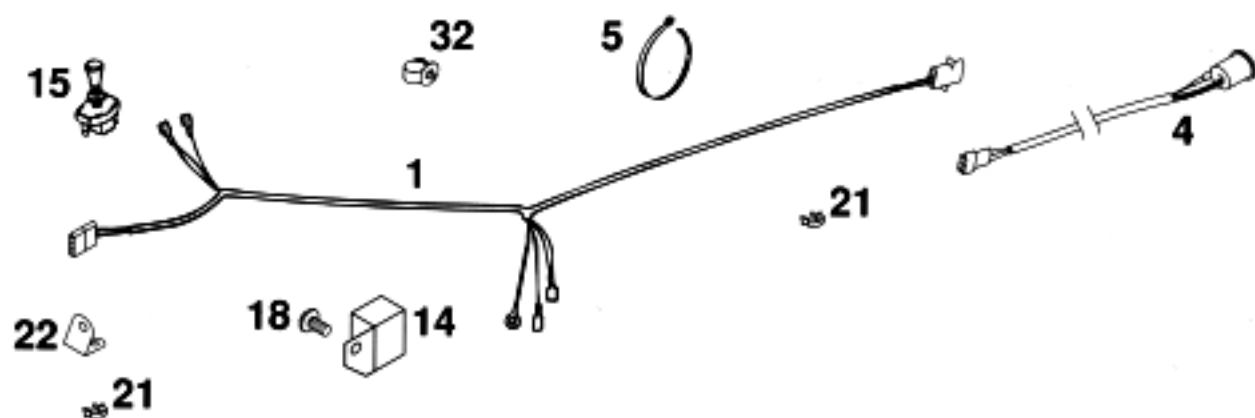


FIG	TEILNR/PARTNR	DESCRIPTION	QTY
1	547.39.005.000	FLYWHEEL KOKUSAN 2K-1/2K-4 '97	1
2	547.39.005.144	FLYWHEEL KOKUSAN 2K-2 CPL. '97	1
3	503.39.005.200	FLYWHEEL KOKUSAN 2K-3 '98	1
4	503.39.004.000	STATOR KOKUSAN 2K-1 '98 125 SX	1
5	503.39.004.100	STATOR KOKUSAN 2K-2 '98 125 EXC USA, 200 MXC/EXC USA	1
6	503.39.004.200	STATOR KOKUSAN 2K-3 '98 125/200 EXC	1
7	0015 050163	HH COLLAR SCREW M 5X16 WS=8	3
10*	503.39.031.400	CDI UNIT CU7442 125'2000 KOKUSAN	1
10	523.39.031.300	ELECTRIC BOX CU7434 200'99 KOKUSAN	1
12	503.39.006.000	IGNITION COIL KOKU. 125-380'98	1
14	547.11.034.000	VOLTAGE REGULATOR KOKUSAN EXC 125 EXC USA, 200 MXC/EXC USA	1
15	503.11.034.000	VOLTAGE REGULA. 12V 125-200'98 125-200 EXC	1
16*	503.39.093.100	SPARK PLUG NGK BR 9EVX '2000 125	1
16	543.31.093.310	SPARK PLUG NGK BR8EG 200	1
17	545.31.010.000	SPARK PLUG CAP LB05EMH NGK	1
18	0770 150040	O-RING 15,00X4,00 NBR 70	1
20	0015 060163	HH COLLAR SCREW M 6X16 WS=8	2
21	0014 060203	HH COLLAR SCREW M 6X20 WS=8	2
22	0015 060123	HH COLLAR SCREW M 6X12 WS=8	1

FIG	TEILNR/PARTNR	DESCRIPTION	QTY
1	503.11.075.000	WIRING HARN. 125-380EXC USA'98 OUT OF 380 EXC USA	1
4	503.11.076.000	WIRING HARNESS REAR 125-380'98	1
5	440.11.076.200	CABLE TIE 200MM	X
-	440.11.076.305	CABLE TIE 290MM	X
14	547.11.034.000	VOLTAGE REGULATOR KOKUSAN EXC	1
15	550.11.599.000	PULL SWITCH LOOSE	1
18	0014 060103	HH COLLAR SCREW M 6X10 WS=8	1
21	570.13.072.000	WIRING HOLDER 12MM 0210	X
-	570.13.072.100	WIRING HOLDER 16MM	X
22*	546.11.090.000	RETAINING PLATE FOR BATTERY'97	1
32	581.11.076.000	CABLE SUPPORT KHS NR.150-47610	1



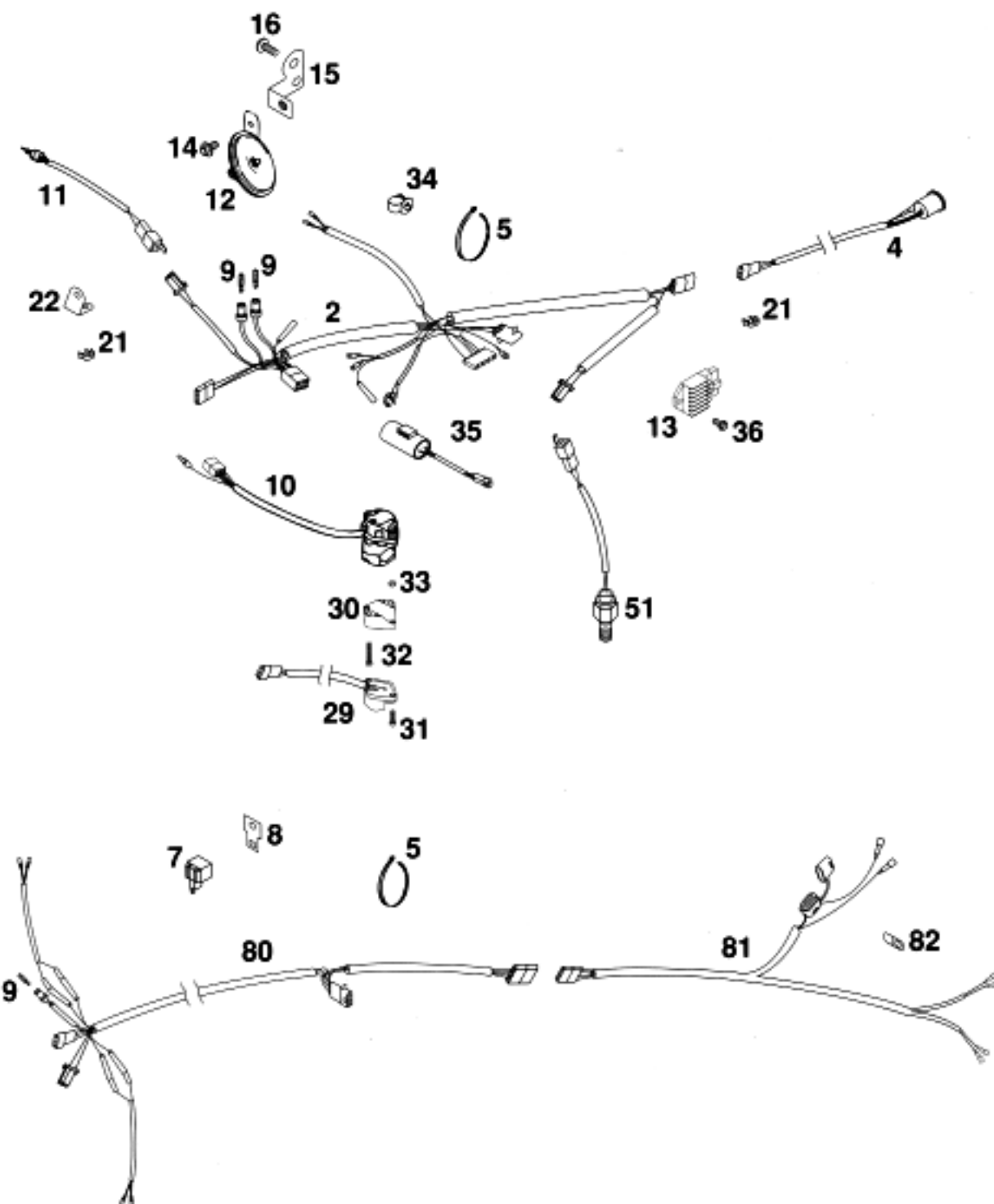


FIG	TEILNR/PARTNR	DESCRIPTION	QTY
2*	503.11.075.600	WIRING HARNESS 125-380EXC 2000	1
4	503.11.076.000	WIRING HARNESS REAR 125-380'98	1
5	440.11.076.200	CABLE TIE 200MM	X
-	440.11.076.305	CABLE TIE 290MM	1
7	446.11.207.200	FLASHER UNIT SUMITOMO ADV.'97	1
8	582.11.031.100	BRACKET FOR FLASHER RELAISE	1
9	491.11.425.000	BULB 12V 1,2W (W2X4,6D)	3
10	503.11.070.000	H.LIGHT SWITCH CEV 2/4TAKT '98 SYMBOLS WHITE	1
10	503.11.070.100	H.LIGHT SWITCH CEV EGS AUS.'98 SYMBOLS YELLOW	1
11*	503.11.050.000	BRAKE LIGHT SWITCH FRONT 2000	1
12*	545.11.060.100	DC HORN 12V NIKKO	1
13	503.11.034.000	VOLTAGE REGULA. 12V 125-200'98	1
14	0014 060103	HH COLLAR SCREW M 6X10 WS=8	1
15*	503.11.061.000	BRACKET FOR NIKKO HORN 2000	1
16	0014 060153	HH COLLAR SCREW M 6X15 WS=8	1
21	570.13.072.000	WIRING HOLDER 12MM 0210	X
-	570.13.072.100	WIRING HOLDER 16MM	X
22*	546.11.090.000	RETAINING PLATE FOR BATTERY'97	1
29	503.11.029.000	FLASHER SWITCH CEV '98	1
30	130.11.070.060	ADAPTER FOR FLASHER SWITCH '98	1
31	0985 040163	FLAT HEAD SCREW DIN7985-M 4X16	2
32	0084 040223	CYL.HEAD SCREW DIN0084-M 4X22A	2
33	0934 040003	HEXAGON NUT DIN0934-M 4	2
34	581.11.076.000	CABLE SUPPORT KHS NR.150-47610	1
35*	503.11.035.000	CONDENSATOR 2200MF ADP-48 2000	1
36	0015 060123	HH COLLAR SCREW M 6X12 WS=8	1
51	503.11.051.100	BRAKE LIGHT SWITCH REAR '98	1
80	503.11.080.100	FLAS. WIRINGHARN. FRONT 125-380	1
81	503.11.081.000	FLAS. WIRINGHARN. REAR 125-380	1
82	500.31.003.000	RETAINING PLATE	2

FIG	TEILNR/PARTNR	DESCRIPTION	QTY
34	503.10.090.050	NUT WHEEL HOLDER '96	1(2)
38	550.03.135.000	PLUG FOR RIM	X
39	502.10.086.000	COVERING CAP SFL16	1
40*	503.10.085.044	AXLE REAR CPL. 265MM 2000	1
41*	503.10.084.000	CHAIN TENSIONER R/S 2000	1
42*	503.04.040.000	SPECIAL SCREW M10X1,25 WS=10	2
43*	584.14.030.000	HH COLLAR NUT M10X1,25 WS=13	2
44	503.10.099.000	HEXAGON NUT M20X1,5 '98	1

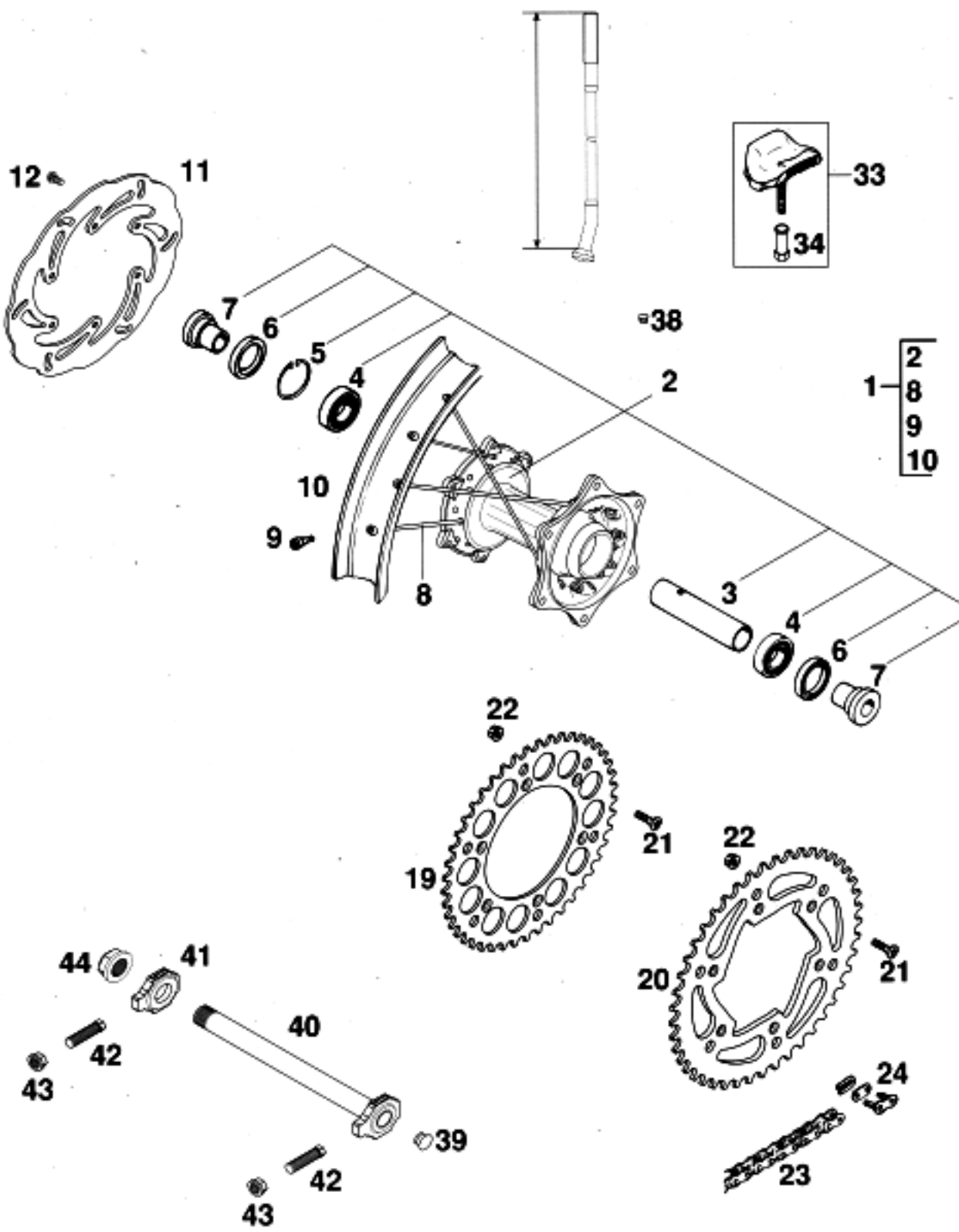


FIG	TEILNR/PARTNR	DESCRIPTION	QTY
1	580.11.180.000	ODOMETER	1
5	550.11.599.000	PULL SWITCH LOOSE	1
9	0015 060123	HH COLLAR SCREW M 6X12 WS=8	2
10	546.11.120.200	SPEEDOMETER BRACKET VDO/ODO'95	1
11	0125 040003	WASHER DIN0125-A 4,0	2
12	0985 040003	SELF LOCKING NUT DIN0985-M 4	2
20*	584.14.055.200	SPEEDOM.CABLE M12/M12 960MM'99	1
25*	503.14.050.000	SPEEDOMETER DRIVE 748220 (3.0)	1
27*	503.14.053.000	DRIV.DOG F.SPEEDOM.DRIVE 2000	1

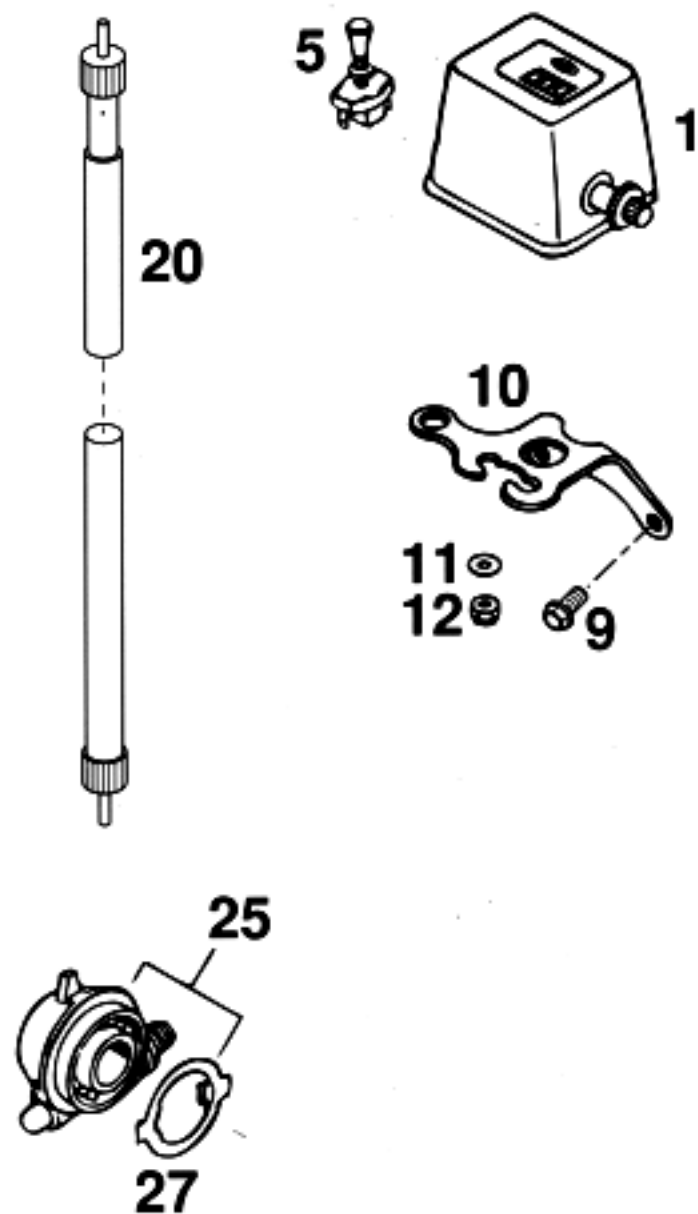
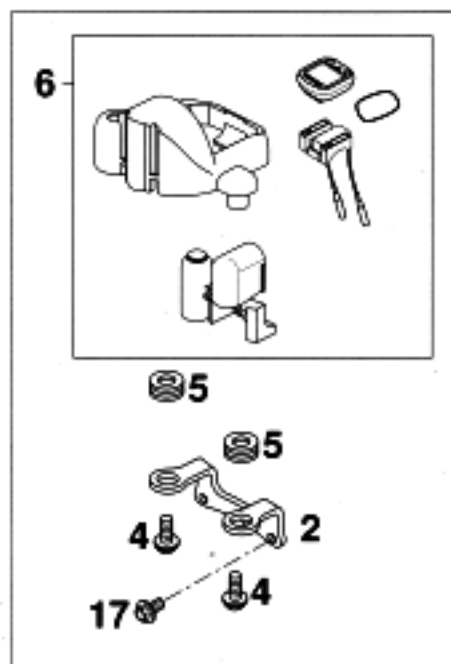
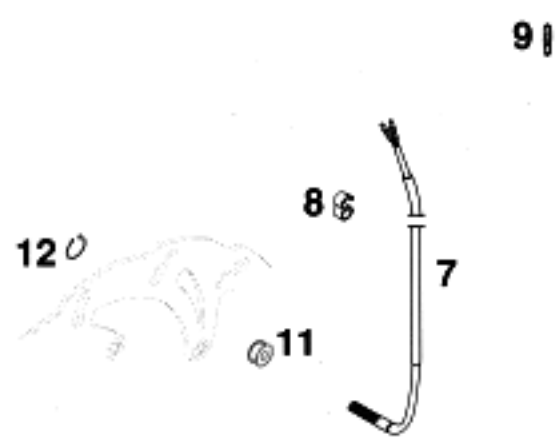


FIG	TEILNR/PARTNR	DESCRIPTION	QTY
01*	503.14.065.244	SPEEDOMETER CASE CPL. EXC '99	1
2*	503.14.060.000	SPEEDOMET.BRACKET EXC BLACK'99	1
3*	503.14.061.100	SPEEDOMET.BRACKET EGS BLACK'99	1
4	0016 050121	PLASTIC SCREW KA50X12 PT1411 BLACK	2
5	310.08.060.000	RUBBER SLEEVE D=8MM OPEN	2
6*	503.14.069.044	SPEEDOM.SIGMASPORT 500 CPL.'99	1
7	583.14.069.151	CABLE FOR SIGMA 500 '98	1
8	550.11.022.100	CLAMP 6/8MM BLACK	3
9	491.11.425.000	BULB 12V 1,2W (W2X4,6D)	2
11*	503.14.069.050	MAGNET FOR DIGITALSPEEDOM.2000	1
12*	0471 009104	CIRCLIP DIN0471- 9X1 INOX	1
15*	580.11.021.300	H.BEAM INDICATOR LIGHT BLUE'98	1
16*	580.11.024.300	FLASHER INDICAT.LIGHT GREEN'98	1
17	0014 060103	HH COLLAR SCREW M 6X10 WS=8	2



01

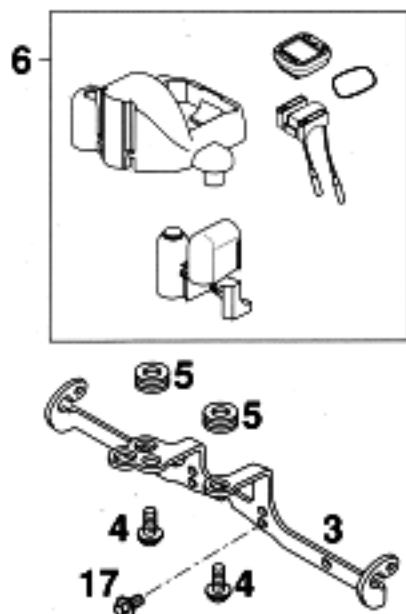
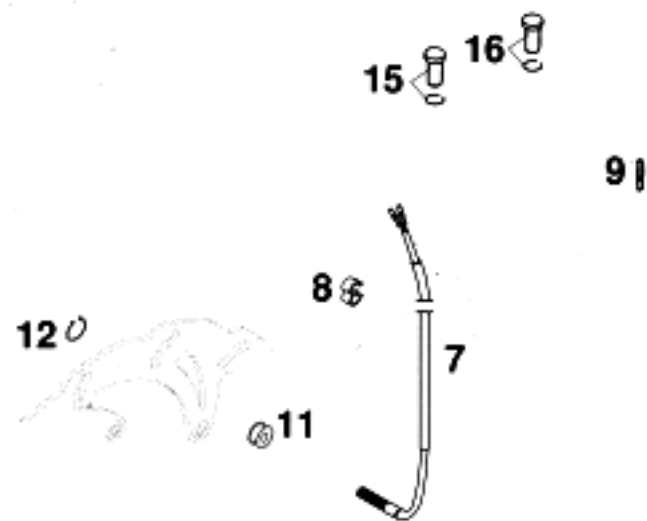
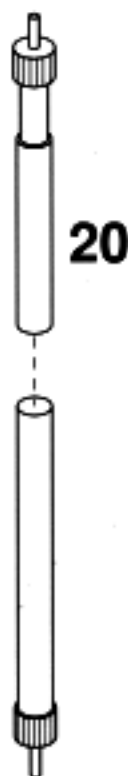
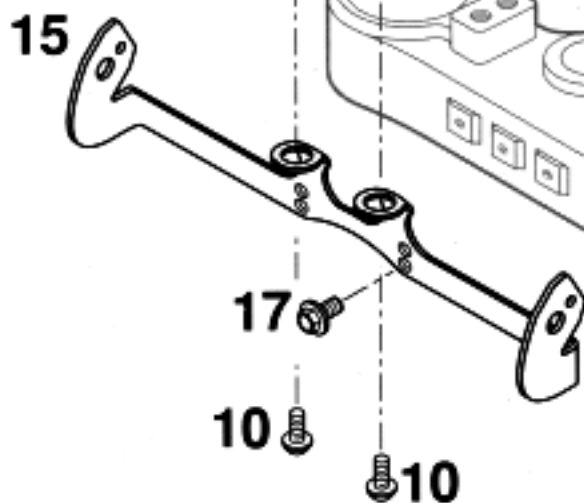


FIG	TEILNR/PARTNR	DESCRIPTION	QTY
1	503.14.057.000	SPEEDOMETER FACOMSA 180 KM/H'99	1
2*	503.14.065.300	SPEEDOMETER BOX FAGOMSA 2000	1
7	503.14.057.050	NUT FOR SPEEDOM. M12 SW=17	1
8	310.08.060.000	RUBBER SLEEVE D=8MM OPEN	2
9	491.11.425.000	BULB 12V 1,2W (W2X4,6D)	3
10	0016 050121	PLASTIC SCREW KA50X12 PT1411 BLACK	2
15	503.14.061.000	SPEEDOM.BRACKET 125-380 EGS'99	1
17	0014 060103	HH COLLAR SCREW M 6X10 WS=8	2
20*	584.14.055.200	SPEEDOM.CABLE M12/M12 960MM'99	1
21*	503.14.050.000	SPEEDOMETER DRIVE 748220 (3.0)	1
23*	503.14.053.000	DRIV.DOG F.SPEEDOM.DRIVE 2000	1



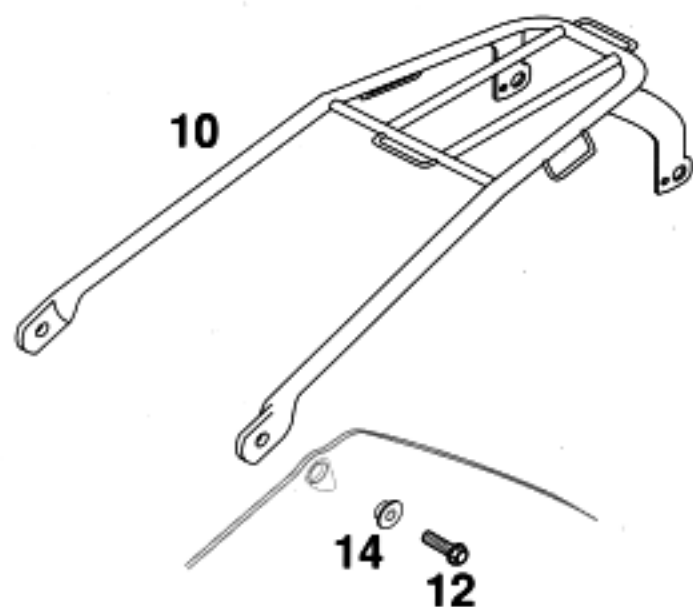
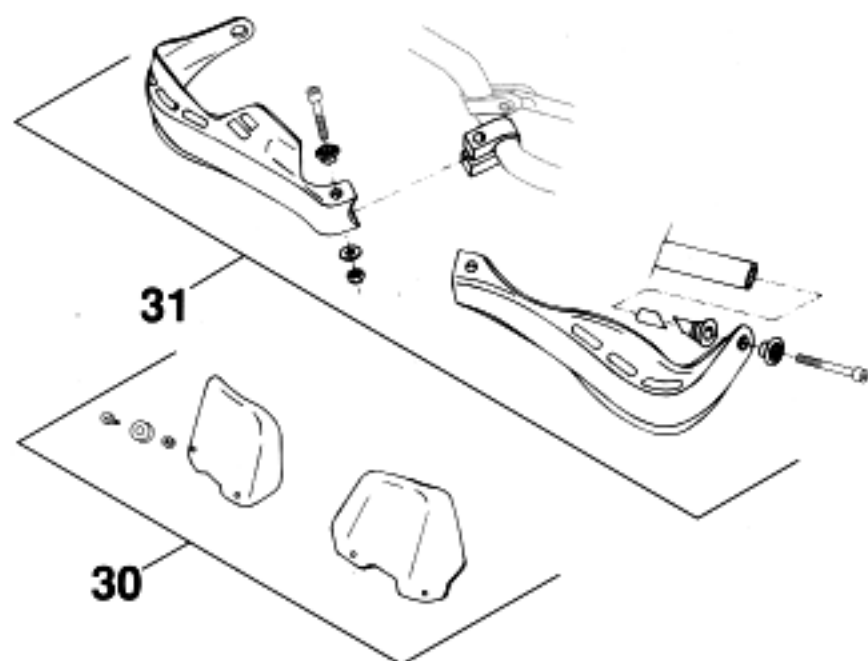
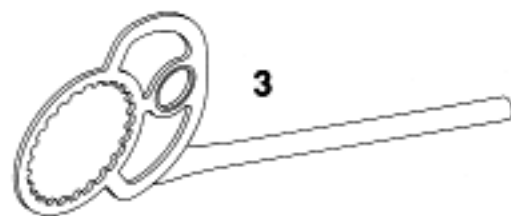
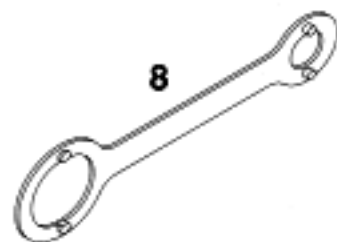
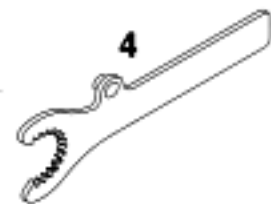
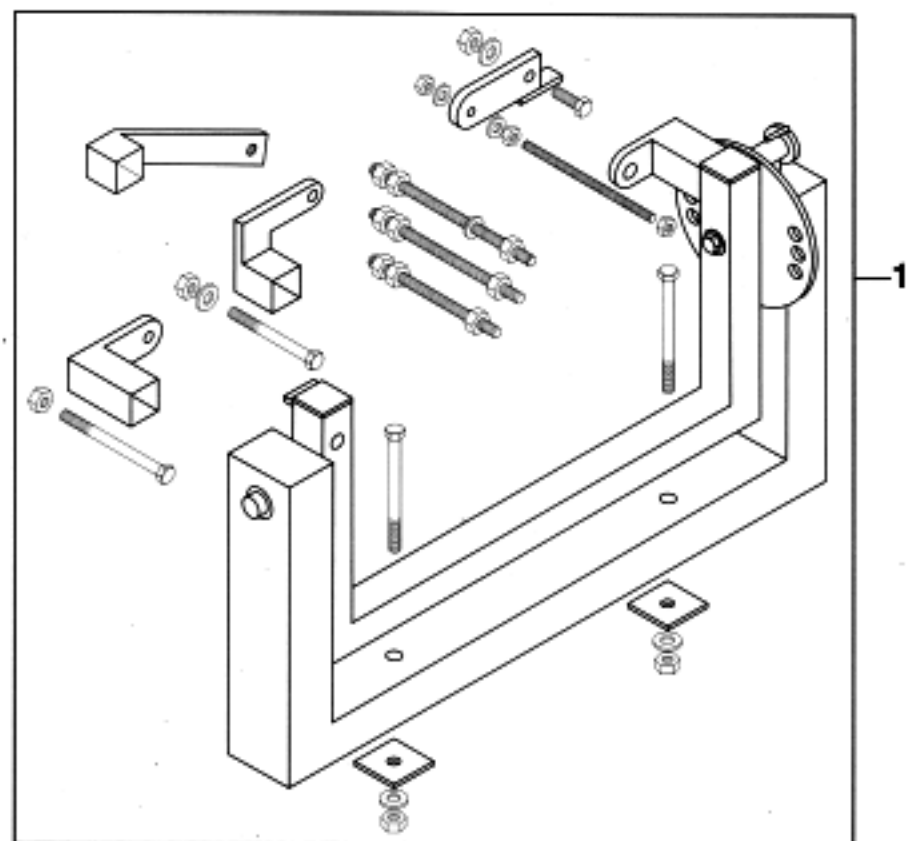


FIG	TEILNR/PARTNR	DESCRIPTION	QTY
10	503.12.010.000	BAGGAGE CAR. SILVER 2T EGS '98	1
12	0015 060203	HH COLLAR SCREW M 6X20 WS=8	2
14	503.08.052.000	BUSH FOR SPOILER 6X11X16X5	2
30	502.02.079.050/30	SCREEN CPL.L+R/S BLACK	1
31	502.02.079.044/30	HAND GUARD CPL.L+R/S BLACK	1





HOLZGABEL
SELBSTGEFERTIGT
WOODEN FORK PLATE
HOME MADE

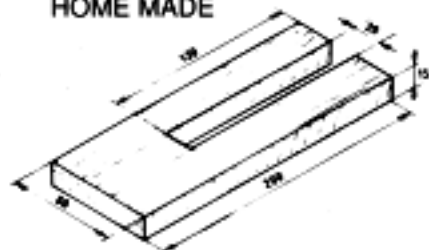


FIG	TEILNR/PARTNR	DESCRIPTION	QTY
1	560.12.001.000	UNIVERSAL MOUNTING RACK '96	1
3	503.29.003.000	HOLD. PLATE CLUTCH 125/200 '98	1
4	503.29.004.000	HOLDER FOR PRIMARY GEAR '98	1
5	546.29.009.044	MAGNETIC PULLER M27X1 KOKUSAN	1
7	510.12.011.000	SPECIAL CIRCLIP PLIER	1
8	546.29.012.100	HOLD. SPANNER ROTOR 2K-1/2/3/4	1
13	501.12.013.000	DIAL GAUGE 0-10MM	1
14	501.12.030.000	DIAL GAUGE SUPPORT	1
16	6'899 785	LOCTITE 242 BLUE 6CCM	1
22	503.29.022.000	SHEET METAL CONTROL FLAP '98	1
38	503.29.038.000	BRACKET FOR LOCATING DRUM '98	1