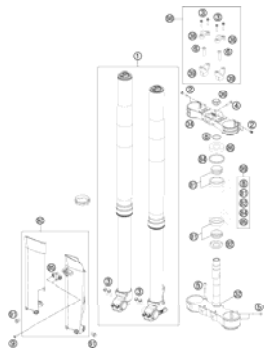
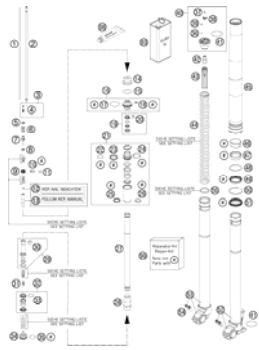

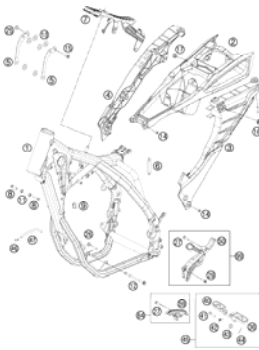
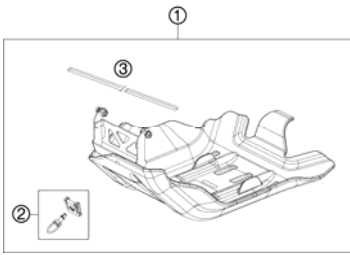
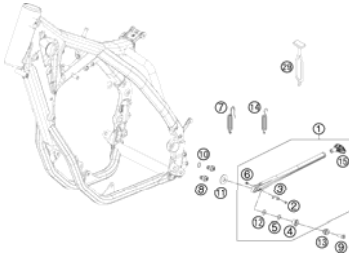
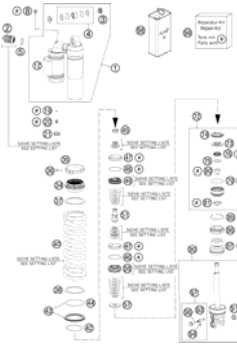
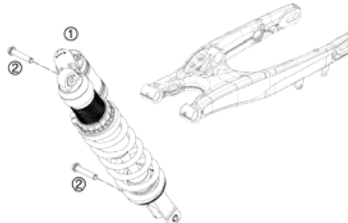
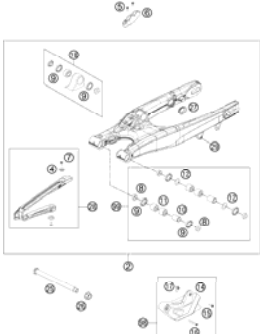
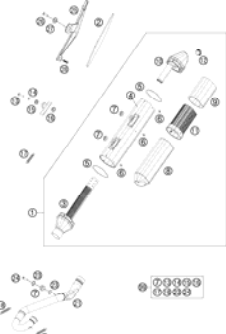
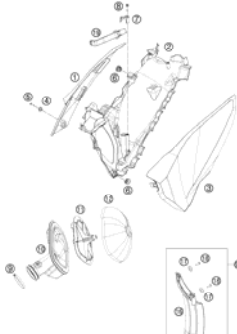
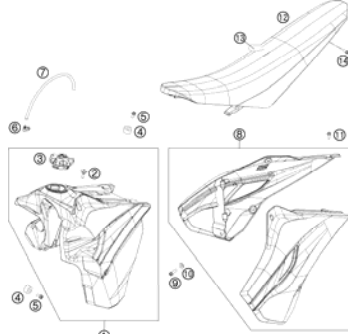


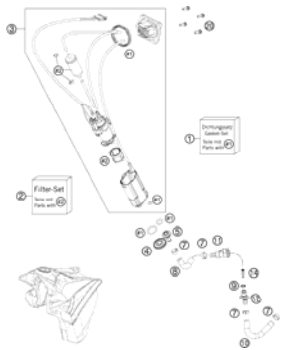
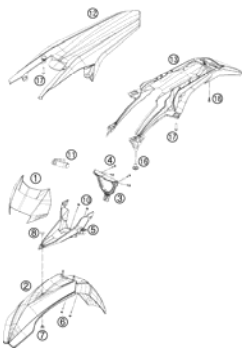

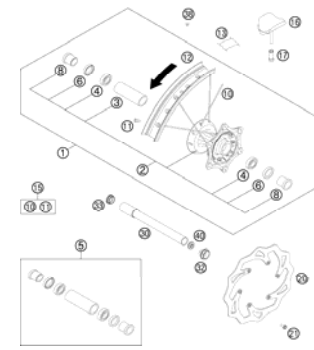
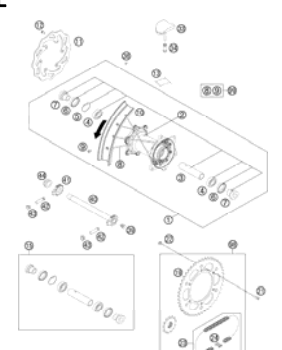
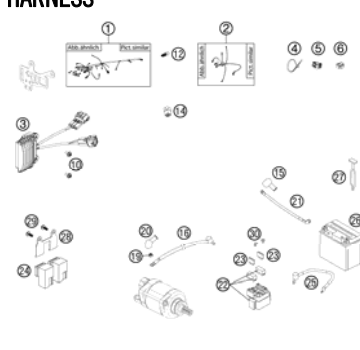
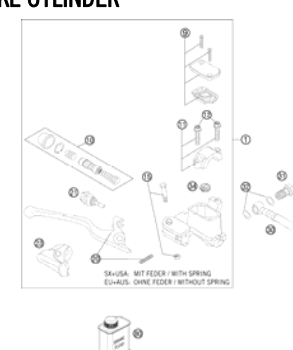
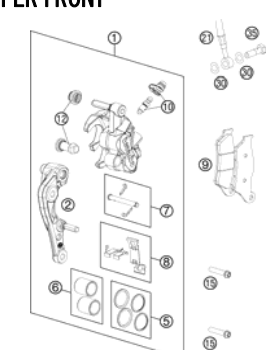
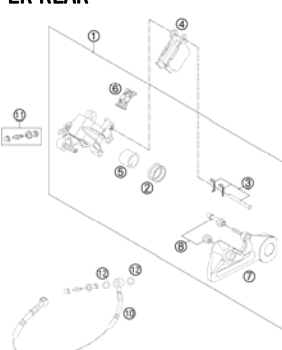
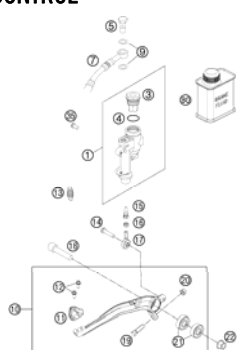
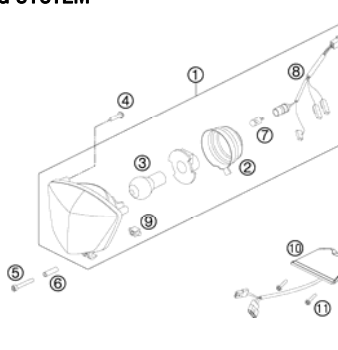
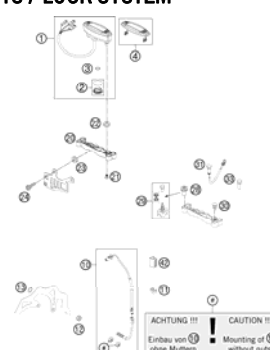
SPARE PARTS MANUAL: CHASSIS

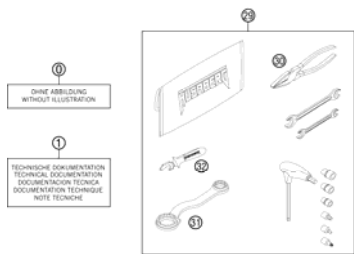

ART.NO.: 3CFF2275M3EN

ENGLISH



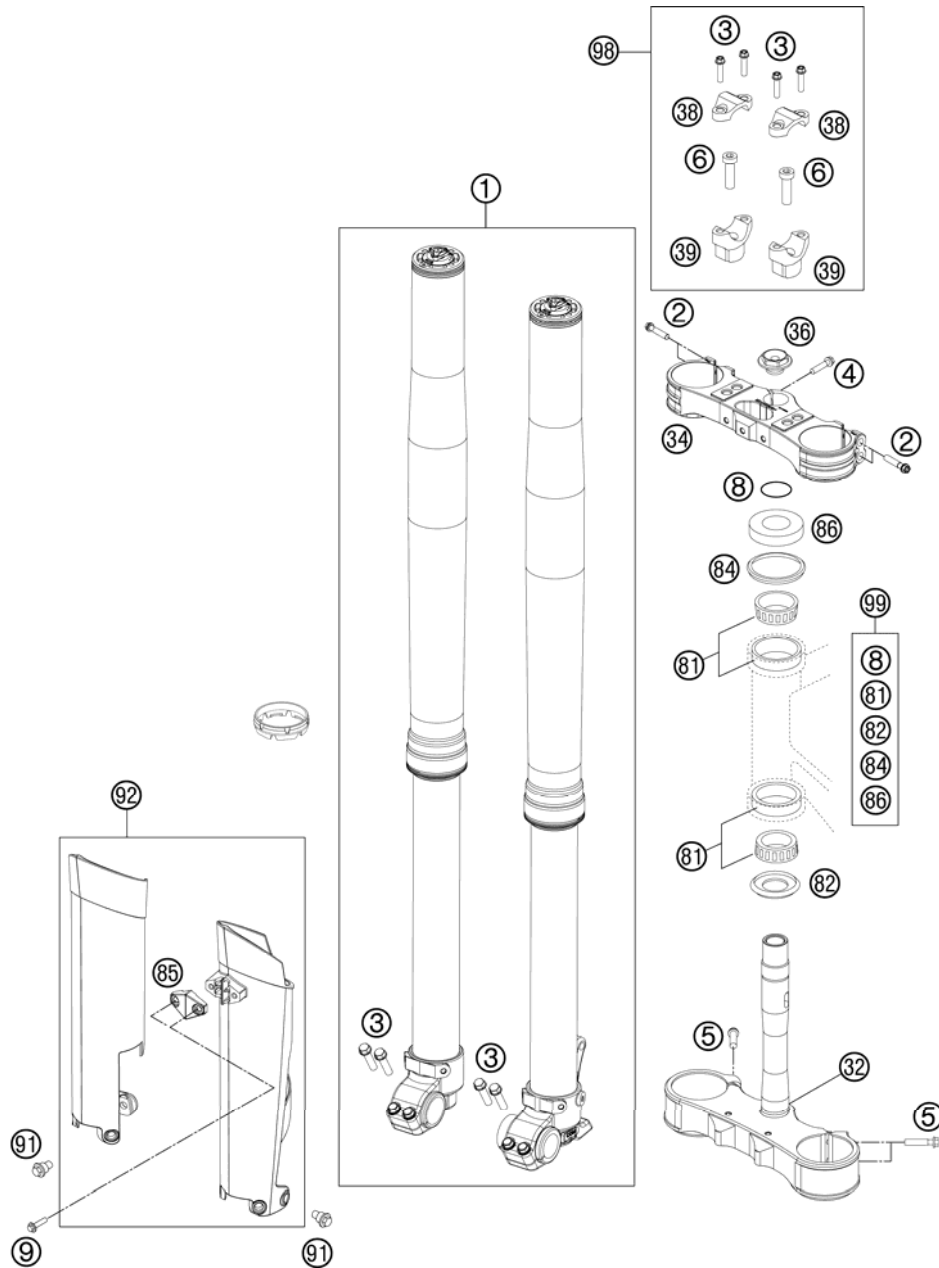
|  |   |  |  |
|--|---|--|--|
| <p><b>FRONT FORK, TRIPLE CLAMP</b></p>  <p><b>4</b></p> | <p><b>FRONT FORK DISASSEMBLED</b></p>  <p><b>5</b></p> | <p><b>HANDLEBAR, CONTROLS</b></p>  <p><b>8</b></p>          | <p><b>FRAME</b></p>  <p><b>9</b></p>                |
| <p><b>ENGINE GUARD</b></p>  <p><b>10</b></p>            | <p><b>SIDE / CENTER STAND</b></p>  <p><b>11</b></p>   | <p><b>SHOCK ABSORBER DISASSEMBLED</b></p>  <p><b>12</b></p> | <p><b>SHOCK ABSORBER</b></p>  <p><b>14</b></p>      |
| <p><b>SWING ARM</b></p>  <p><b>15</b></p>             | <p><b>EXHAUST SYSTEM</b></p>  <p><b>16</b></p>       | <p><b>AIR FILTER</b></p>  <p><b>17</b></p>                | <p><b>TANK, SEAT, COVER</b></p>  <p><b>18</b></p> |

|   |   |  |  |
|---|---|--|--|
| <p><b>FUEL PUMP</b></p>  <p><b>19</b></p>            | <p><b>MASK, FENDERS</b></p>  <p><b>20</b></p>        | <p><b>DECAL</b></p>  <p><b>21</b></p>               | <p><b>FRONT WHEEL</b></p>  <p><b>22</b></p>                 |
| <p><b>REAR WHEEL</b></p>  <p><b>23</b></p>           | <p><b>WIRING HARNESS</b></p>  <p><b>25</b></p>      | <p><b>HAND BRAKE CYLINDER</b></p>  <p><b>26</b></p> | <p><b>BRAKE CALIPER FRONT</b></p>  <p><b>27</b></p>         |
| <p><b>BRAKE CALIPER REAR</b></p>  <p><b>28</b></p> | <p><b>REAR BRAKE CONTROL</b></p>  <p><b>29</b></p> | <p><b>LIGHTING SYSTEM</b></p>  <p><b>30</b></p>   | <p><b>INSTRUMENTS / LOCK SYSTEM</b></p>  <p><b>31</b></p> |

|   |  |  |  |
|---|--|--|--|
| <p><b>ACCESSORIES KIT</b></p>  <p style="text-align: right; font-size: 2em;"><b>32</b></p> |  |  |  |
|   |  |  |  |
|   | <div style="display: flex; align-items: center;">  <p>                     All information contained is without obligation. KTM-Sportmotorcycle AG particularly reserves the right to modify any equipment, technical specifications, prices, colors, shapes, materials, services, service work, constructions, equipment and the like so as to adapt them to local conditions or to cancel any of the above items, all without previous announcement and without giving reasons. KTM may stop manufacturing certain models without previous notice. KTM shall not be held liable for any deviations of availability and/or ability to deliver, illustrations, descriptions, printing and/or other errors. The illustrated models partly contain extra equipment, which is not applied to standard models.<br/>                     © by KTM-SPORTMOTORCYCLE AG, Mattighofen AUSTRIA; All rights reserved; Reprint, also in extracts, with written allowance of KTM-SPORTMOTORCYCLE AG, Mattighofen only.                 </p> </div> |  |  |

# FRONT FORK, TRIPLE CLAMP

FE 350 USA 2013



| FIG | PART NUMBER   | DESCRIPTION                    | QTY |
|-----|---------------|--------------------------------|-----|
| 1   | 24187M6701    | FORK WP 350 FE 2013            | 1   |
| 2   | 0025080406    | HH COLLAR SCREW M8X40 TX40     | 4   |
| 3   | 0025080256    | HH COLLAR SCREW M8X25 TX40     | 8   |
| 4   | 0015080256S   | HH COLLAR SCREW M8X25 WS=10 06 | 1   |
| 5   | 0025080356    | HH COLLAR SCREW M8X35 TX40     | 4   |
| 6   | 0032100356S   | AH-COLLAR SCREW M10X35 ISA45   | 2   |
| 8   | 0770025035    | O-RING 25X3,55 NBR70 05        | 1   |
| 9   | 0017060204    | EJOT PT SCREW K60X20 ALU WS=6  | 2   |
| 32  | 7800103202030 | BOT. TRIPLE CLAMP CPL. 20MM    | 1   |
| 34  | 7720103402030 | TOP TRIPLE CLAMP X=20MM BLACK  | 1   |
| 36  | 54801036000   | STEER.HEAD SCREW M20X1,5 WS=27 | 1   |
| 38  | 77201038000   | HANDLEBAR CLAMP 28MM           | 2   |
| 39  | 59401039032   | HANDLEB.SUPP. D=28MM H=32MM 05 | x   |
| 39  | 59401039037   | HANDLEB.SUPP. D=28MM H=37MM 05 | 2   |
| 39  | 59401039042   | HANDLEB.SUPP. D=28MM H=42MM 05 | x   |
| 81  | 54201081100   | TAPERED ROLLER BEARING CPL. 06 | 2   |
| 82  | 54601084100   | O-RING SUPPORT W. SEALING LIP  | 1   |
| 84  | 54601184000   | STEERING HEAD GASKET TOP       | 1   |
| 85  | 7800108500028 | CLAMP F. SPEED. CABLE D=6MM 08 | 1   |
| 86  | 78101086000   | STEERING HEAD COVER            | 1   |
| 91  | 59001092050   | SPECIAL SCREW M6X12,5 WS=8     | 6   |
| 92  | 7800109410028 | FORK PROTECT. L/S+R/S WHITE 09 | 1   |
| 98  | 00050000921   | HANDLEBAR SUPPORT KIT D28/H37  | x   |
| 99  | 00050000930   | STEERING HEAD REP. KIT         | x   |

138130111 / C138130111

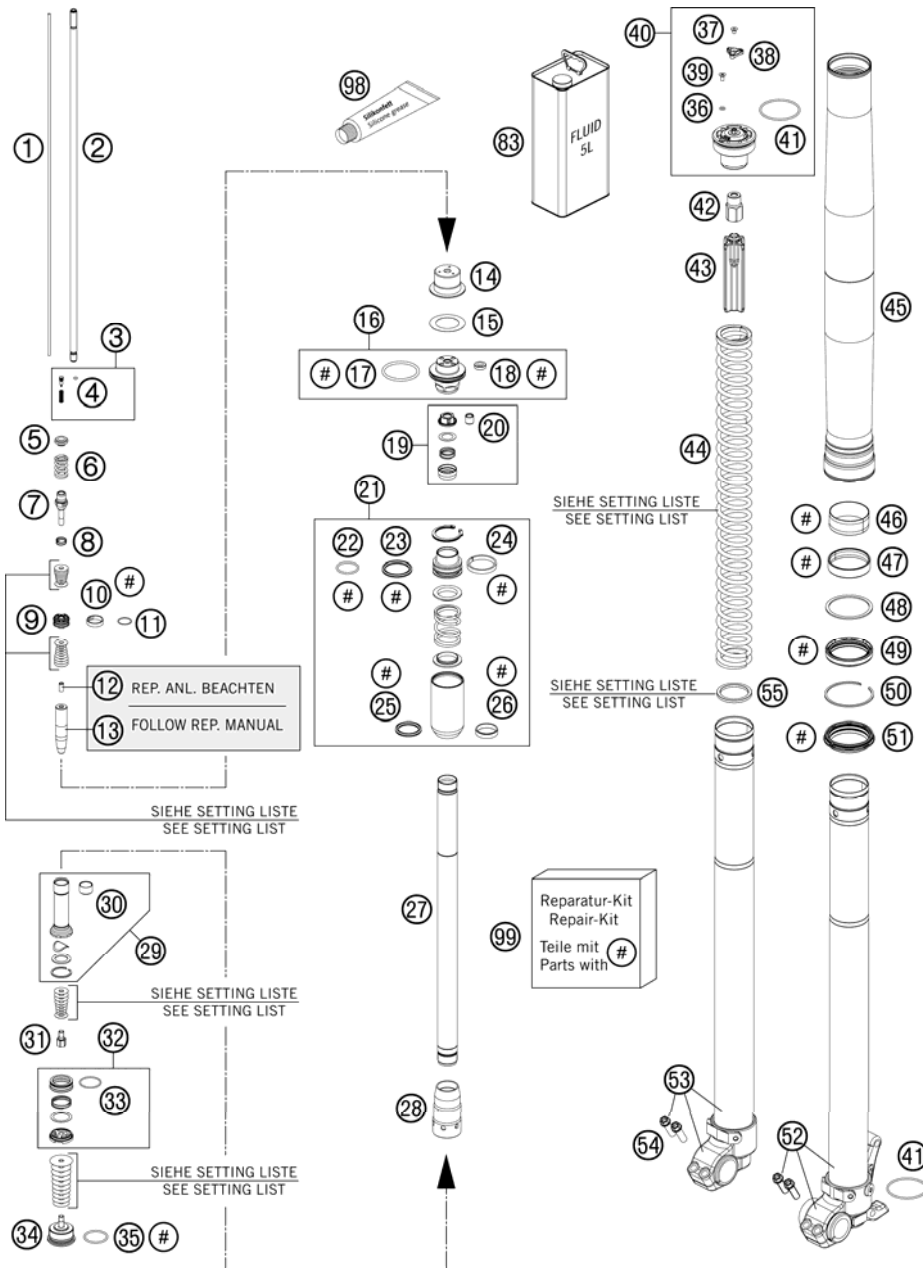
\* NEW PART

X AS REQUIRED



# FRONT FORK DISASSEMBLED

FE 350 USA 2013



| FIG | PART NUMBER | DESCRIPTION                  | QTY |
|-----|-------------|------------------------------|-----|
| 1   | 48600996    | ADJUSTMENT TUBE L486 OD3     | 2   |
| 2   | 48601054    | PISTON ROD D8 L497           | 2   |
| 3   | 48600998S   | ADJ - NEEDLE CPL.            | 2   |
| 4   | 48600298    | O-RING 2X1,5 NBR             | 2   |
| 5   | 48601048    | GUIDE SHIM REBOUND SPRING    | 2   |
| 6   | 48601049    | REBOUND SPRING L25           | 2   |
| 7   | 48600986    | TAP REBOUND M8               | 2   |
| 8   | 48600382    | SHUTTLE VALVE SPRING C=0,4   | 2   |
| 9   | 48600985    | PISTON REBOUND D20           | 2   |
| 10  | 48601171    | Z-CUT RING D18 PLASTIC       | 2   |
| 11  | 48601128    | O-RING 15X1                  | 2   |
| 12  | 48601033    | PUSHER D=5,5                 | 2   |
| 13  | 48600999    | NEEDLE D14 WHITE             | 1   |
|     |             | L/S                          |     |
| 13  | 48601123    | NEEDLE D14 RED               | 1   |
|     |             | R/S                          |     |
| 14  | 48601061    | SPRING GUIDANCE BELOW        | 2   |
| 15  | 48601184    | SHIM 29X44X0,3               | 2   |
| 16  | 48601022S   | SCREW SLEEVE M23,5 CPL.      | 2   |
| 17  | 48601130    | O-RING 40X3                  | 2   |
| 18  | 48600954    | GASKET D8                    | 2   |
| 19  | 48601025S   | CHECK VALVE D21 CPL.         | 2   |
| 20  | 48600953    | GUIDING BUSH 8X10X10         | 2   |
| 21  | 48601021S   | PRESSURE TANK L74,5 D36 KPL. | 2   |
| 22  | 48601127    | O-RING 24x2                  | 2   |
| 23  | 48601111    | QUAD RING 29,74X3,53         | 2   |
| 24  | 48601124    | BUSHING DO=36 DI=32 B5       | 2   |
| 25  | 48601110    | QUAD RING 24,99X3,53         | 2   |
| 26  | 48601109    | SLIDE BEARING                | 2   |
| 27  | 48601031    | TUBE D20 L403                | 2   |
| 28  | 48601019    | SCREW SLEEVE D20/28          | 2   |
| 29  | 48601030S   | STOP L75                     | 2   |
| 30  | 48601180    | BUSHING                      | 2   |
| 31  | 48601083    | NUT M6X0,5                   | 2   |

138120130 / C138130130

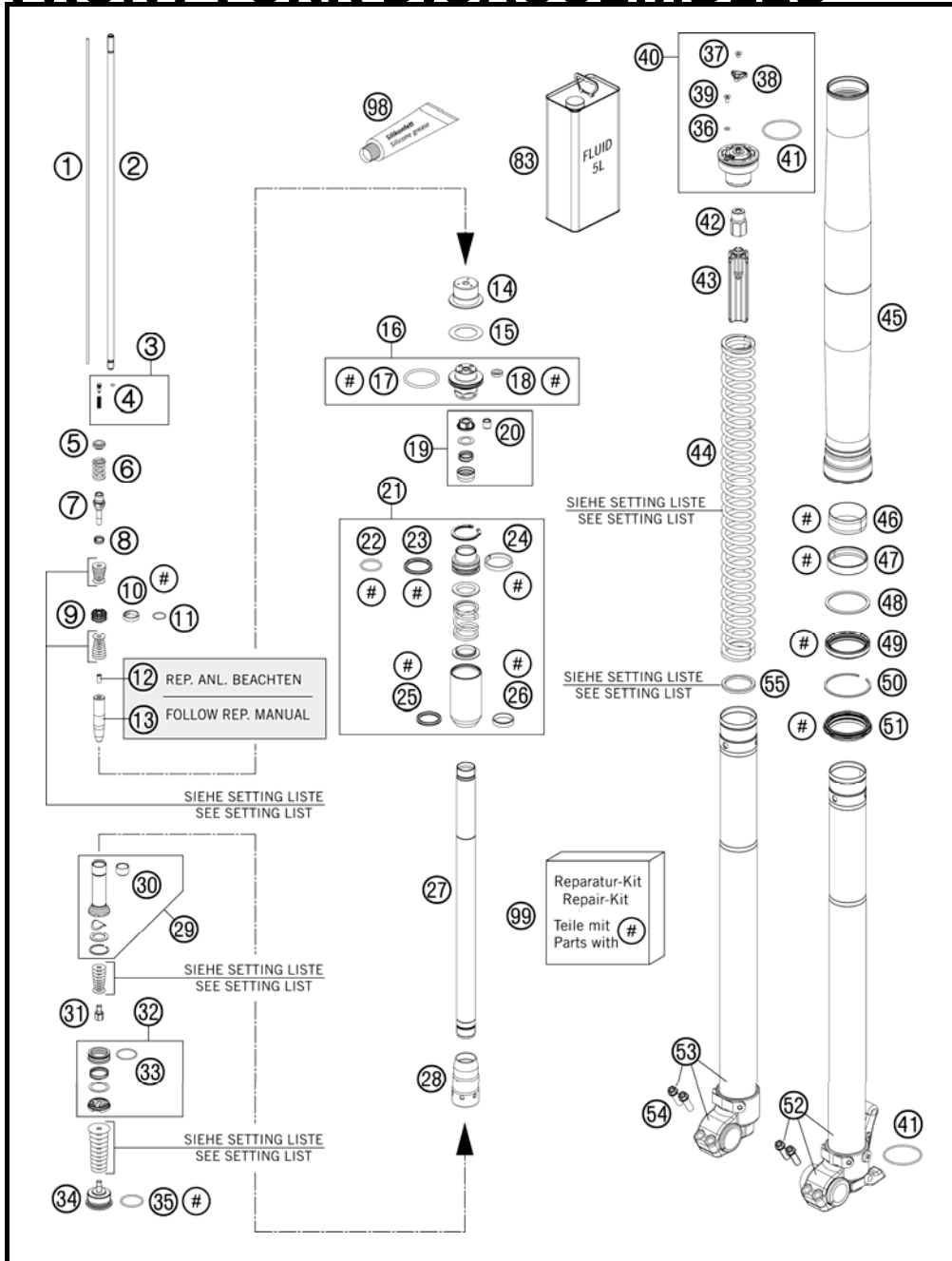
\* NEW PART

X AS REQUIRED



# FRONT FORK DISASSEMBLED

FE 350 USA 2013



| FIG | PART NUMBER | DESCRIPTION  | QTY |
|-----|-------------|--|-----|
| 32  | 48600984S   | PISTON COMPRESSION D=28 CPL.                           | 2   |
| 33  | 48601133    | O-RING 24X1,5  | 2   |
| 34  | 48601020    | SCREW CAP M30  | 2   |
| 35  | 48601132    | O-RING 26X2  | 2   |
| 36  | 50180222    | O-RING NBR 4X1,5                                       | 2   |
| 37  | 48600527    | AH SCREW M4X6  | 2   |
| 38  | 48601117    | DIAL COMPRESSION WHITE<br>L/S, COMPRESSION             | 1   |
| 38  | 48601118    | DIAL REBOUND RED<br>R/S, REBOUND                       | 1   |
| 39  | 48600481    | VENT SCREW M4X8  | 2   |
| 40  | 48601050S   | SCREW CAP M51X1,5 REB. KPL.<br>R/S, REBOUND, RED       | 1   |
| 40  | 48601116S   | SCREW CAP M51X1,5 COMP. KPL<br>L/S, COMPRESSION, WHITE | 1   |
| 41  | 48600048    | O-RING NBR 46 X 2                                      | 4   |
| 42  | 48601034    | COUNTERNUT M8  | 2   |
| 43  | 48601035    | SPRING GUIDANCE D23                                    | 2   |
| 44  | 91410082S   | SPRING D43,8 L465 3,8N/MM SET                          | x   |
| 44  | 91410083S   | SPRING D43,8 L465 4,0N/MM SET                          | x   |
| 44  | 91410084S   | SPRING D43,8 L465 4,2N/MM SET                          | x   |
| 44  | 91410085S   | SPRING D43,8 L465 4,4N/MM SET                          | x   |
| 44  | 91410086S   | SPRING D43,8 L465 4,6N/MM SET                          | x   |
| 44  | 91410092S   | SPRING D43,8 L465 4,8N/MM SET                          | x   |
| 45  | 48600736    | OUTER TUBE L577 D54/60MM 2L                            | 2   |
| 46  | 48601008    | GUIDING BUSH 47X49X20 R11                              | 2   |
| 47  | 48601009    | GUIDING BUSH 48X52X12 R11                              | 2   |
| 48  | 48600013    | SUPPORT RING 50 X 57,6 X 1,5                           | 2   |
| 49  | 48601179    | OIL SEALRING D48X57,9X11,4 RED                         | 2   |
| 50  | 48600070    | LOCK WASHER SB58                                       | 2   |
| 51  | 48601178    | DUST SEAL DL48X58,4X5,7 RED                            | 2   |
| 52  | 48601028S1  | AXLE CLAMP L/S WITH INNER TUBE                         | 1   |
| 53  | 48601029S1  | AXLE CLAMP R/S WITH INNER TUBE                         | 1   |
| 54  | 0025080256  | HH COLLAR SCREW M8X25 TX40                             | 4   |
| 55  | 48600456    | SPACER 43X35X2,5                                       | x   |

138120130 / C138130130

\* NEW PART

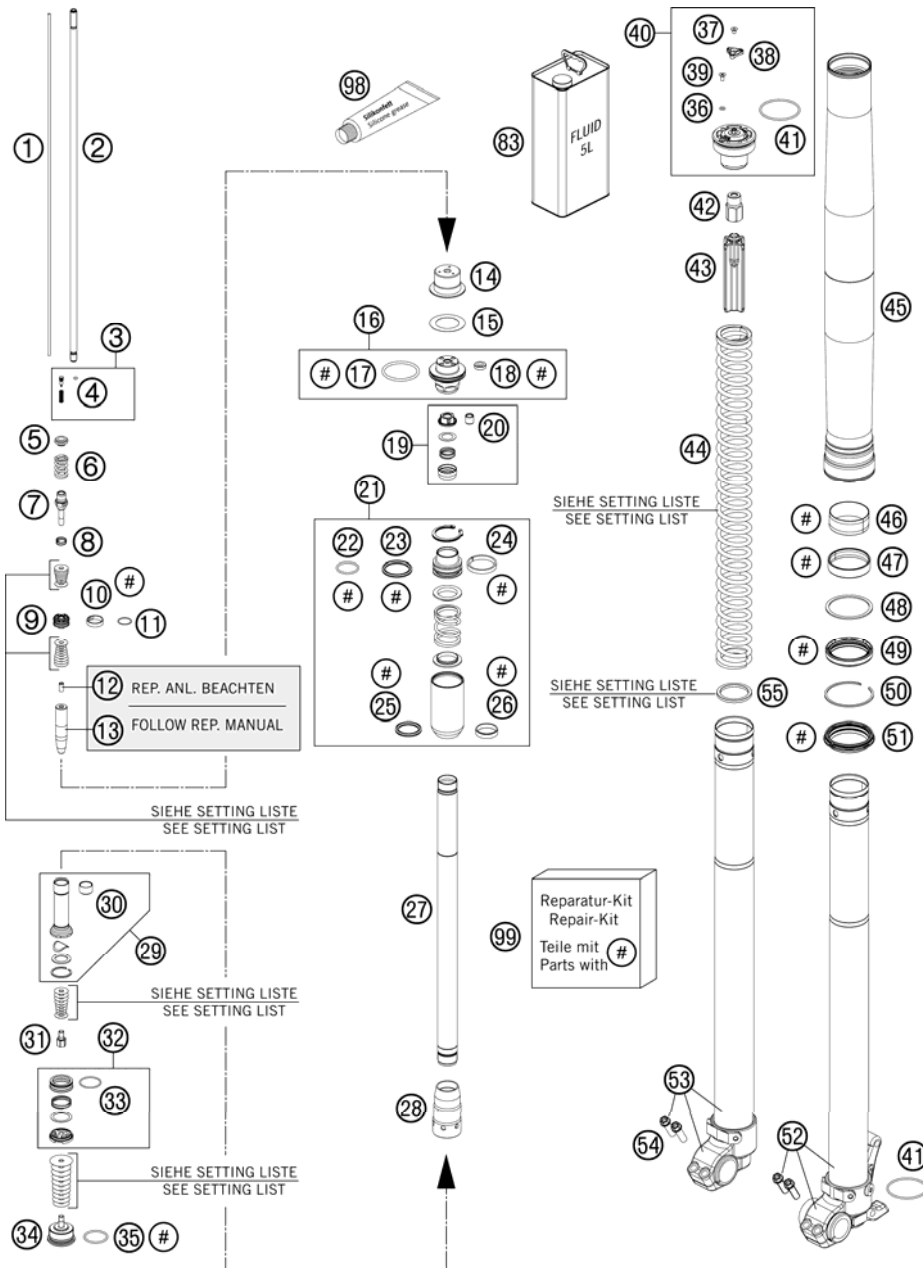
X AS REQUIRED





# FRONT FORK DISASSEMBLED

FE 350 USA 2013



| FIG | PART NUMBER | DESCRIPTION                  | QTY |
|-----|-------------|------------------------------|-----|
| 55  | 48600457    | SPACER 43X35X5               | X   |
| 55  | 48600458    | SPACER 43X35X1,5             | X   |
| 83  | 48601166S1  | FORK OIL SAE4 5L             | X   |
| 98  | T511        | SILICONE GREASE F. DUST STRI | X   |
| 99  | R24001      | REPAIR - KIT                 | 1   |

138120130 / C138130130

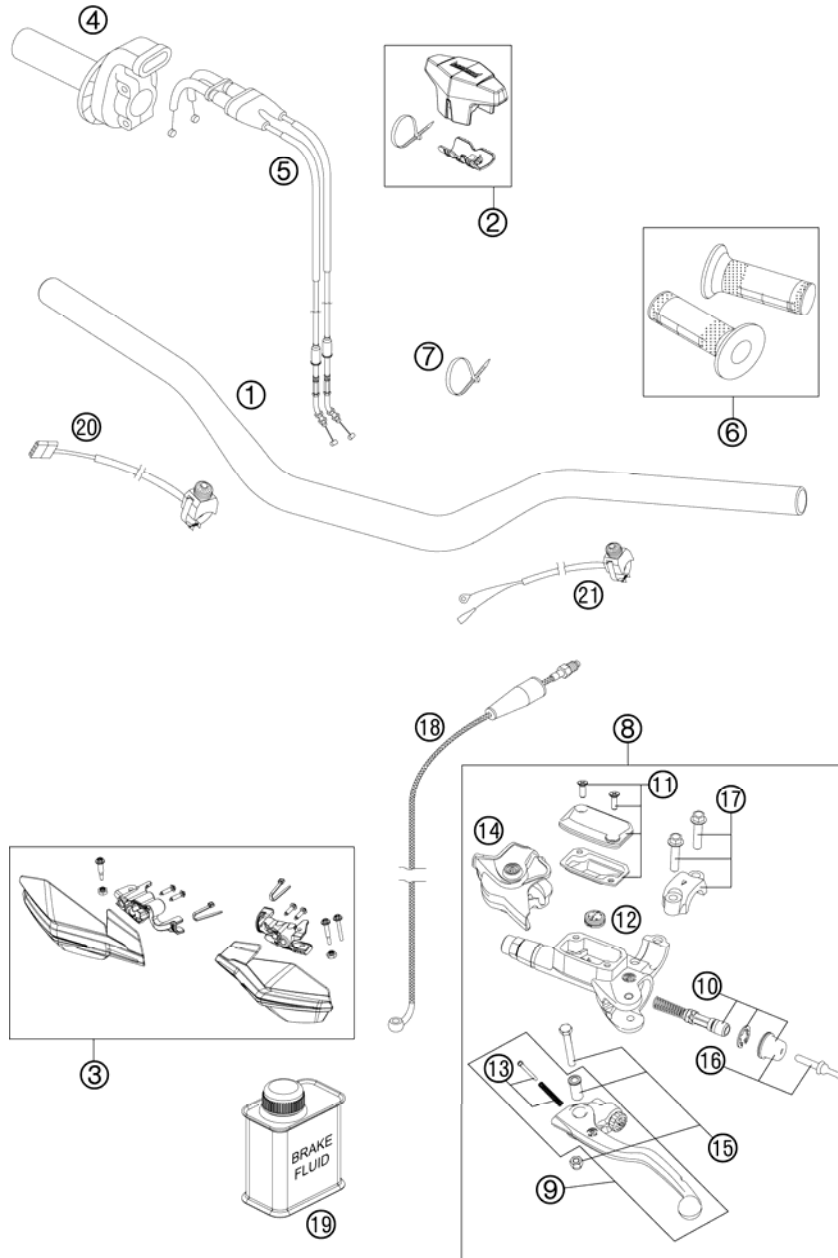
\* NEW PART

X AS REQUIRED



# HANDLEBAR, CONTROLS

FE 350 USA 2013



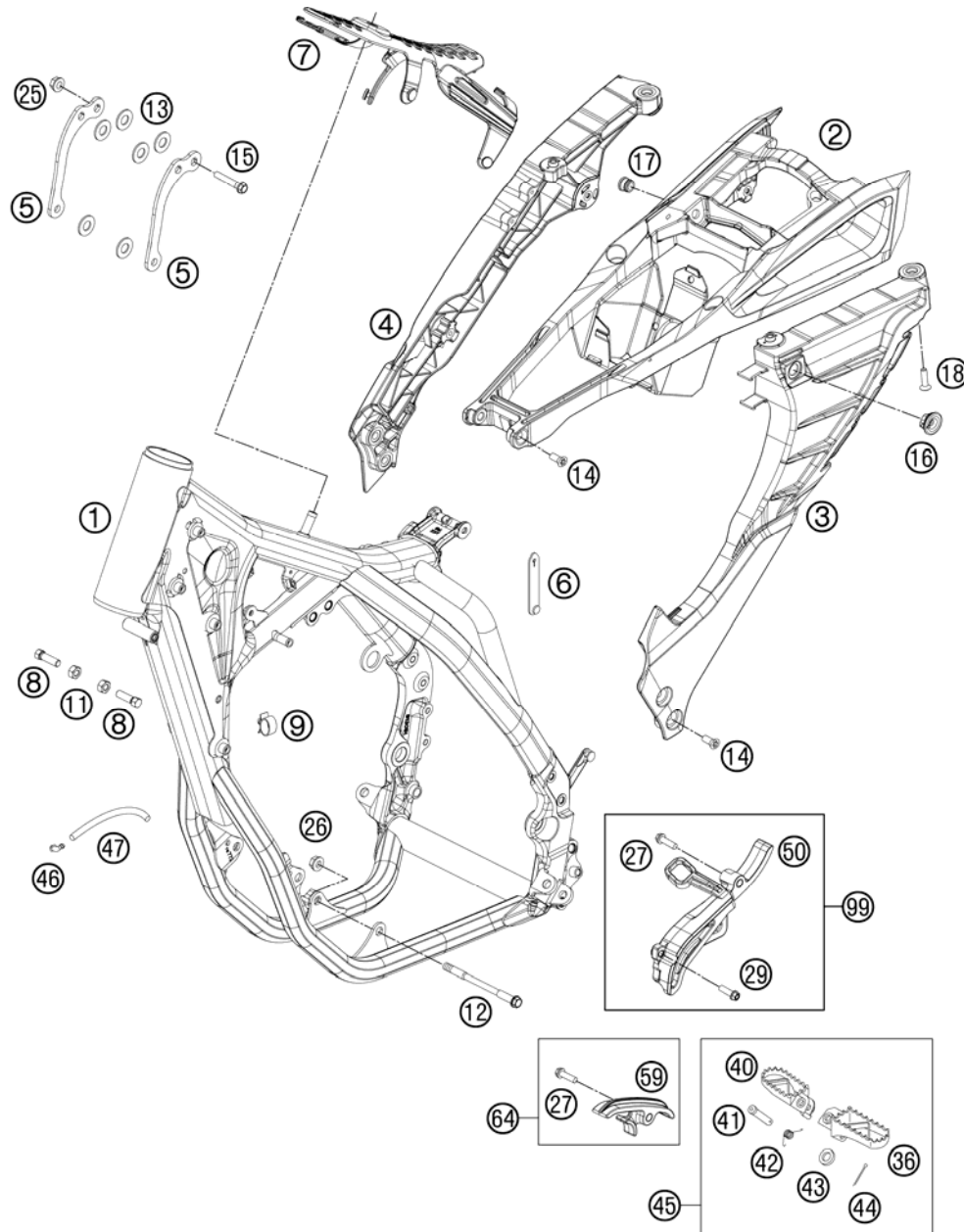
| FIG | PART NUMBER   | DESCRIPTION                 | QTY |
|-----|---------------|-----------------------------|-----|
| 1   | 7800200100017 | HANDLEBAR D=28MM            | 1   |
| 2   | 81202002144   | BAR PAD CPL.                | 1   |
| 3   | 7810297910028 | HANDGUARD MX CPL. WHITE     | 1   |
| 4   | 78102010000   | THROTTLE GRIP CPL.          | 1   |
| 5   | 78102091000   | THROTTLE CABLE 4T. 13       | 1   |
| 6   | 81202021000   | GRIP SET                    | 1   |
| 7   | 44011076140   | CABLE TIE 140/2,5MM BLACK   | x   |
| 7   | 44011076200   | CABLE TIE 200/3,6MM BLACK   | x   |
| 8   | 54802030044   | MASTER CYLINDER CPL. 06     | 1   |
| 9   | 54802031000   | CLUTCH LEVER CPL. BREMBO 06 | 1   |
| 10  | 54802032000   | REP. KIT PISTON 06          | 1   |
| 11  | 54802003000   | COVER HYD. CLUTCH CPL.      | 1   |
| 12  | 54802051000   | VALVE                       | 1   |
| 13  | 54802052000   | BOLT KPL.                   | 1   |
| 14  | 54802037000   | PROTECTION CAP 06           | 1   |
| 15  | 54802038100   | LEVER SCREW CPL. 06         | 1   |
| 16  | 54802046000   | PUSH ROD CPL.               | 1   |
| 17  | 54802005100   | CLAMP CPL. 06               | 1   |
| 18  | 54832063000   | CLUTCH PIPE 06              | 1   |
| 19  | 00062030000   | BRAKE FLUID DOT5.1 0,25L    | 1   |
| 20  | 78111074000   | STARTER BUTTON GREY 13      | 1   |
| 21  | 50311089200   | SHORT CIRCUIT BUTTON 02     | 1   |

138130215 / C138130215

\* NEW PART

X AS REQUIRED





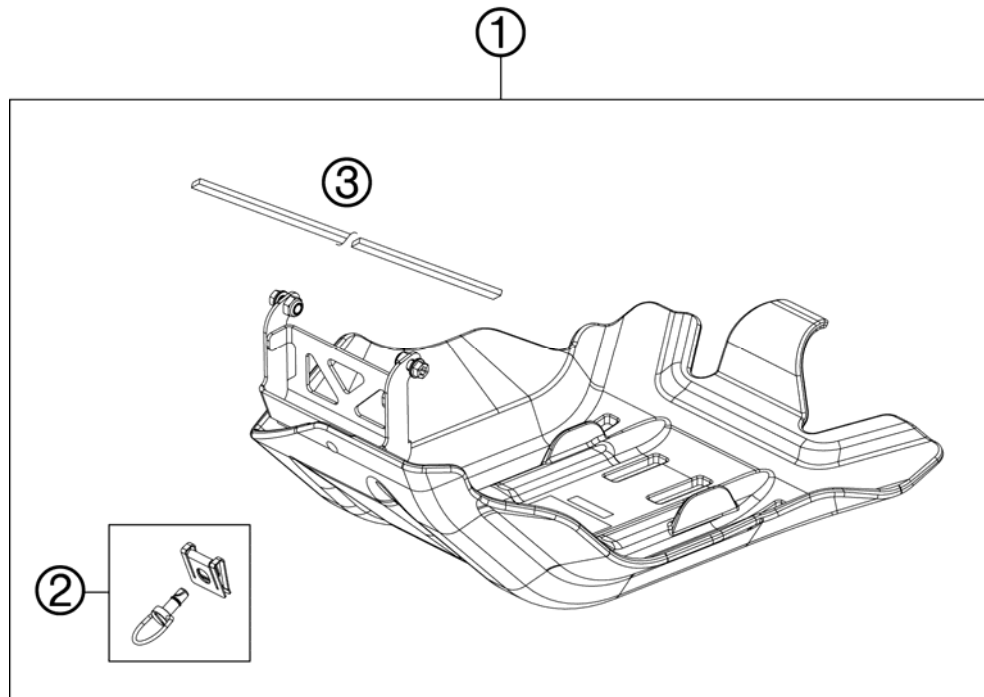
| FIG | PART NUMBER   | DESCRIPTION                    | QTY |
|-----|---------------|--------------------------------|-----|
| 1   | 8130310100056 | RAHMEN "H775M2"                | 1   |
| 2   | 81303002010B0 | SUB FRAME TOP PART CPL.        | 1   |
| 3   | 81303002020B0 | SUB FRAME L/S CPL.             | 1   |
| 4   | 81303002030B0 | SUB FRAME R/S CPL.             | 1   |
| 5   | 77503013000   | REINFORCING 350 EXC-F 2012     | 2   |
| 6   | 60011093075   | RUBBER CABLE TIE 75MM 03       | 1   |
| 7   | 77207012000   | TANK REST RUBBER               | 1   |
| 8   | 59001037000   | SPECIAL SCREW M8X26 WS=10      | 2   |
| 9   | 58111076000   | CABLE SUPPORT KHS NR.150-47610 | 1   |
| 11  | 0934080003    | HEXAGON NUT DIN0934-M 8        | 2   |
| 12  | 77203014000   | ENGINE BRAC.SCR. M10X115       | 2   |
| 13  | 77003013050   | WASHER 8,5X18X1 INOX           | 6   |
| 14  | 0019080206S   | FLAT HEAD SCREW M. ISA45 M8X20 | 4   |
| 15  | 56530079000   | HH COLLAR SCREW M 8X44 WS13    | 3   |
| 16  | 47106003160   | QUICK CONNECTOR CLUTCH         | 1   |
| 17  | 81303002011   | SPACER BUSHING 12X9X6,2        | 2   |
| 18  | 0019080306S   | COUNTER-SUNK SCREW ISA45 M8X30 | 4   |
| 25  | 54310086200   | SELF LOCKING NUT M8 10.9       | 3   |
| 26  | 54310086100   | SELF LOCKING NUT M10 CU WS=14  | 2   |
| 27  | 0025080306    | HH COLLAR SCREW M8X30 TX40     | 2   |
| 29  | 0025060256    | HH COLLAR SCREW M6X25 TX30     | 1   |
| 36  | 78003040050   | FOOTREST L/S 08                | 1   |
| 40  | 78003041050   | FOOTREST R/S 08                | 1   |
| 41  | 54803044000   | BOLT FOR FOOT PED 03           | 2   |
| 42  | 54603041000   | FOOTREST SPRING L/S & R/S      | 2   |
| 43  | 0125100003    | WASHER DIN0125-A10,5           | 2   |
| 44  | 0094032253    | PIN DIN0094-3,2X25 STEEL       | 2   |
| 45  | 78003040033   | FOOTREST L/S + R/S CPL. 09     | 1   |
| 46  | 50303089000   | ANGLE PIECE '97                | 2   |
| 47  | 55007016001   | PVC-HOSE 7X10 PER METER        | x   |
| 50  | 77203096000   | SPROCKET COVER 350 SX-F        | 1   |
| 59  | 77203053000   | CHAIN SLIDING PIECE BELOW      | 1   |
| 64  | 77203053010   | CHAIN SLIDING KIT BELOW CPL.11 | 1   |
| 99  | 77203096010   | SPROCKET COVER KIT             | x   |

138130318 / C138130318

\* NEW PART

X AS REQUIRED

| FIG | PART NUMBER | DESCRIPTION          | QTY |
|-----|-------------|----------------------|-----|
| 1   | 77503190000 | SKID PLATE CPL.      | 1   |
| 2   | 59003090350 | QUICK RELEASE        | 1   |
| 3   | 78103190030 | SHIMSTRIPE 1000X11X3 | 03  |
|     |             |                      | 1   |



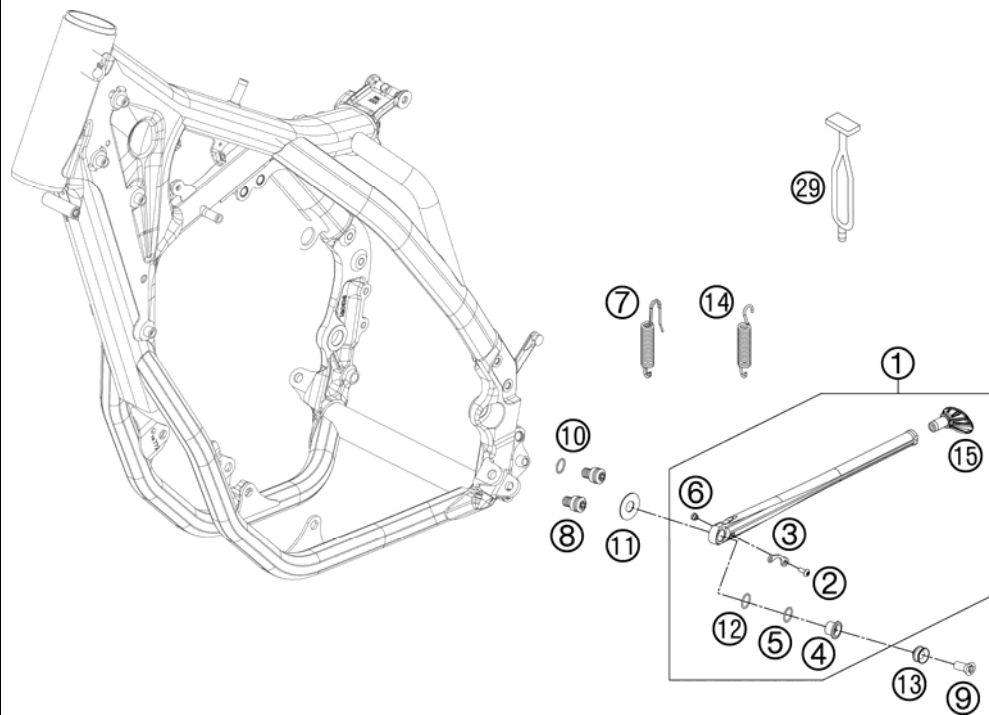
137750330 / C138130333

\* NEW PART

X AS REQUIRED

# SIDE / CENTER STAND

FE 350 USA 2013



| FIG | PART NUMBER | DESCRIPTION  | QTY |
|-----|-------------|--|-----|
| 1   | 78003023044 | SIDE STAND CPL. 08                                     | 1   |
| 2   | 58605083014 | SCREW M5X14 TORX 25 07                                 | 1   |
| 3   | 78003023090 | SPRING BRACKET F. SIDE ST. 08                          | 1   |
| 4   | 78003023080 | SIDE STAND BUSHING EXC USA 08                          | 1   |
| 5   | 0770180020  | O-RING 18,00X2,00 NBR 70                               | 1   |
| 6   | 78003023070 | SPACER BUSH. SPRING BRACKET                            | 1   |
| 7   | 81203024000 | SIDE STAND SPRING EYE MOVEABLE<br>ONLY FOR EU/AUS      | 1   |
| 8   | 78003023182 | SIDE STAND STOP SCREW M10X12                           | 2   |
| 9   | 0019080206S | FLAT HEAD SCREW M. ISA45 M8X20                         | 1   |
| 9   | 0019080266S | COUNTER-SUNK SCREW ISA45 M8X26<br>ONLY FOR 78003023081 | 1   |
| 10  | 0770120020  | O-RING 12,00X2,00 NBR 70                               | 1   |
| 11  | 78003023083 | WASHER F. SIDE STAND 12,2X29,5                         | 1   |
| 12  | 0770125015  | O-RING 12,5X1,5 NBR                                    | 1   |
| 13  | 78003023081 | SIDE STAND BUSHING EXC-EU 08                           | 1   |
| 14  | 78003024100 | SIDE STAND SPRING 08<br>ONLY FOR USA                   | 1   |
| 15  | 78003023155 | STAND BASE   | 1   |
| 29  | 50303018000 | RUBBER L=145MM   | 1   |

138130361 / C138130361

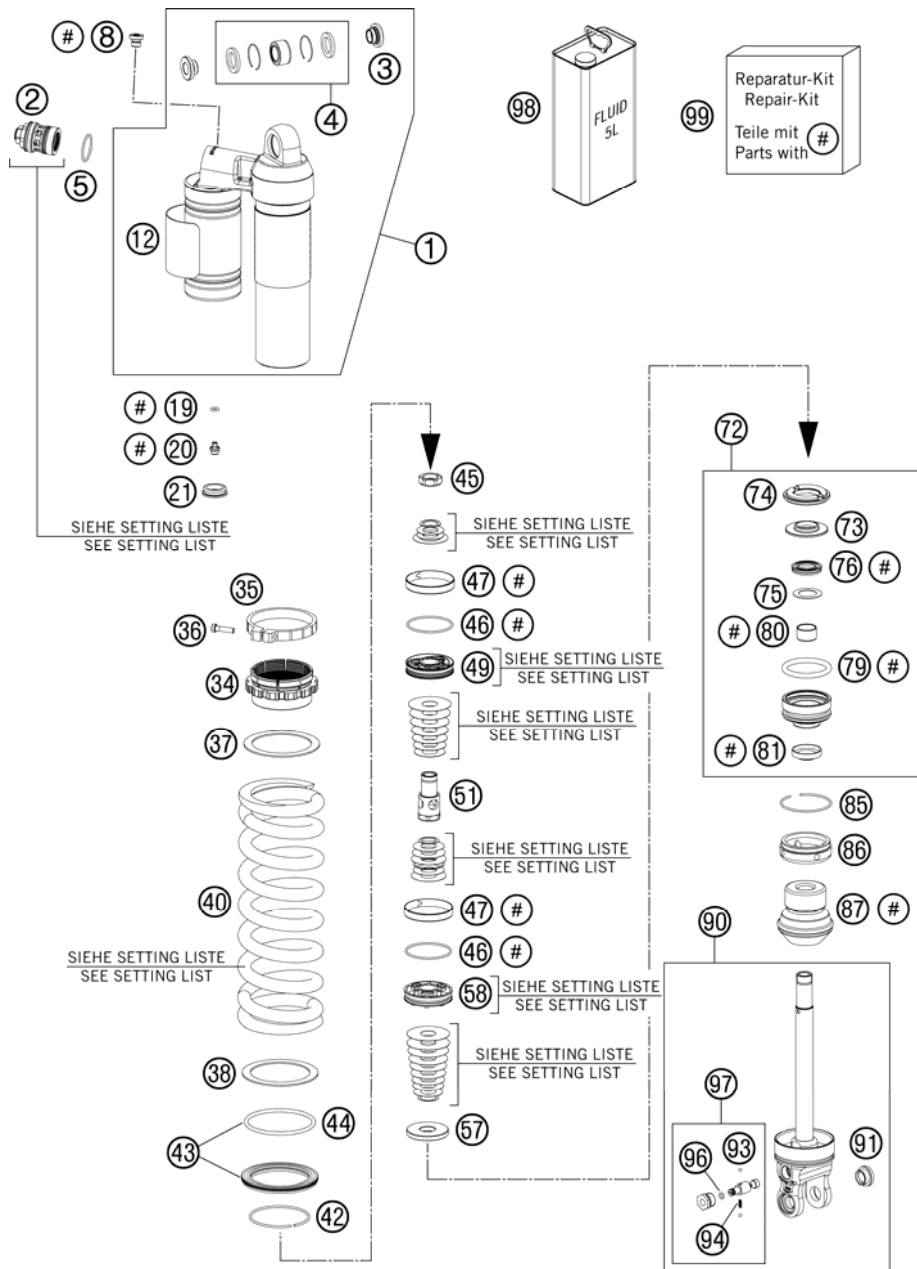
\* NEW PART

X AS REQUIRED



# SHOCK ABSORBER DISASSEMBLED

FE 350 USA 2013



| FIG | PART NUMBER | DESCRIPTION                    | QTY |
|-----|-------------|--------------------------------|-----|
| 1   | 50180833SA2 | MONOSHOCK UPPER PART CPL.      | 1   |
| 2   | 50180213S10 | DCC-COMPR.DAMP.CONTROL CPL. 07 | 1   |
| 3   | 46180007    | ADAPTOR BUSH KGW 12X24         | 2   |
| 4   | R12012      | REP. KIT BEAR./SEAL UP. 07     | 1   |
| 5   | 50180217    | O-RING 27X1,5 VITON            | 1   |
| 8   | 50180095    | BLEED PLUG R 1/8               | 1   |
| 12  | 52000085    | WP CAUTION (PDS KTM)           | 1   |
| 19  | 46810893    | O-RING NBR 5,28X1,78           | 1   |
| 20  | 36120151    | SCREW PLUG M5X6                | 1   |
| 21  | 46811208    | RUBBER CAP "DO NOT OPEN"       | 1   |
| 34  | 50180938    | ADJUSTING NUT PLASTIC          | 1   |
| 35  | 50180937    | TENSIONING RING D64 H10        | 1   |
| 36  | 14460042    | %ALLENHEAD SCREW M5 L=20 STAIN | 1   |
| 37  | 50180965    | SPACER RING SPRING 61,3X78X3   | 1   |
| 38  | 50180114    | SPACER RING FOR SPRING         | 1   |
| 40  | 91210077S   | SPRING 250 66 N/MM YELLOW      | x   |
| 40  | 91210078S   | SPRING 250 69 N/MM YELLOW      | x   |
| 40  | 91210079S   | SPRING 250 72N/MM(64/62)YELLOW | x   |
| 40  | 91210080S   | SPRING 250 76 N/MM YELLOW      | x   |
| 40  | 91210094S   | SPRING 250 63 N/MM YELLOW      | x   |
| 42  | 50180273    | CIRCLIP 58,2X2                 | 1   |
| 43  | 50180463S   | SPRING RET. D=80 W. O-RING 05  | 1   |
| 44  | 50180352    | O-RING VITON 66,27X3,53        | 1   |
| 45  | 50180627    | PISTON ROD NUT M20X1           | 1   |
| 46  | 50180099    | O-RING VITON 44,17X1,78        | 2   |
| 47  | 50180135    | PISTON RING 50-8               | 2   |
| 49  | 50180675    | PISTON D=20                    | 1   |
| 51  | 50180973    | SUPPORT D20 M20X1 L51,3 PDS    | 1   |
| 57  | 50180970    | REBOUND DISC D43               | 1   |
| 58  | 50180197    | PISTON 6+6X7/4,5               | 1   |
| 72  | 50180603S   | ADAPTOR CPL. D=50 H=28 08      | 1   |
| 73  | 50180113    | STEEL DISC 18X,5X43,7X6        | 1   |
| 74  | 50180107    | REBOUND RUBBER                 | 1   |
| 75  | 50180604    | SHIM D29,75 X D19 X T0,4 08    | 1   |
| 76  | 50180605S   | SEAL D18X30X5 08               | 1   |

125480430 / C138120430

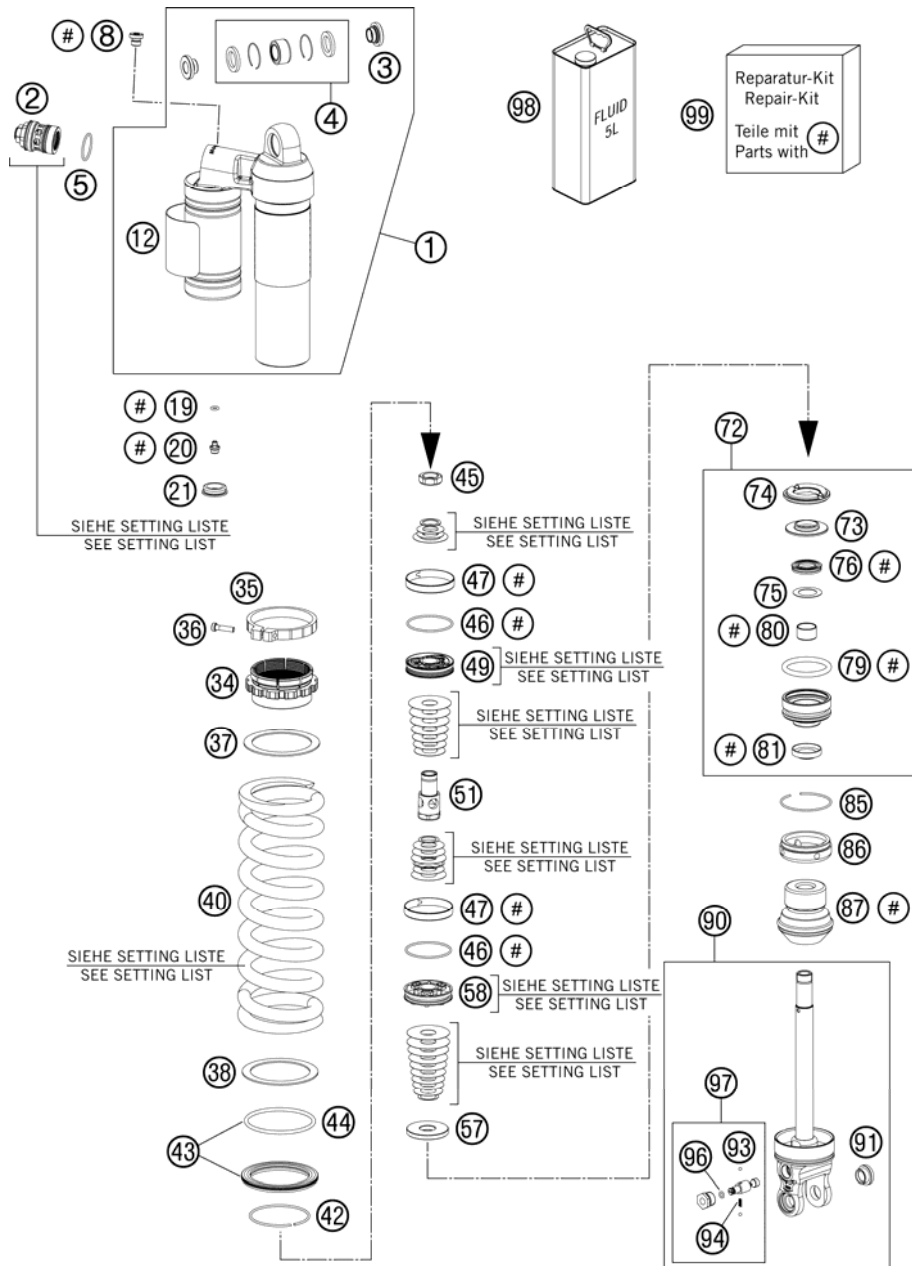
\* NEW PART

X AS REQUIRED



# SHOCK ABSORBER DISASSEMBLED

FE 350 USA 2013



| FIG | PART NUMBER | DESCRIPTION                    | QTY |
|-----|-------------|--------------------------------|-----|
| 79  | 50180103    | O-RING 41X5                    | 1   |
| 80  | 46180119    | DU-BUSH 18X20X12               | 1   |
| 81  | 50180606    | DUST SEAL 1828 08              | 1   |
| 85  | 50180126    | CIRCLIP 53X1,75                | 1   |
| 86  | 50180626    | RESERVOIR CAP D=50 H=10 09     | 1   |
| 87  | 50180600    | BUMP RUBBER D58 D17 H59 2008   | 1   |
| 90  | 50180512SA4 | SHOCK ABS. LOWER PART CPL. 12  | 1   |
| 91  | 50180105    | THREADED BUSH M12 PDS          | 1   |
| 93  | 40540603    | STEEL BALL D=3MM               | 2   |
| 94  | 48600028    | SPRING D=2,9 L=7,9             | 1   |
| 96  | 50180222    | O-RING NBR 4X1,5               | 1   |
| 97  | 50180434S   | ADJUSTING SCREW REBOUND TRAVEL | 1   |
| 98  | 50180751S1  | SHOCK ABSORBER FLUID 5 LT      | 1   |
| 99  | R12015      | REPAIR KIT 5018 PDS 08         | 1   |

125480430 / C138120430

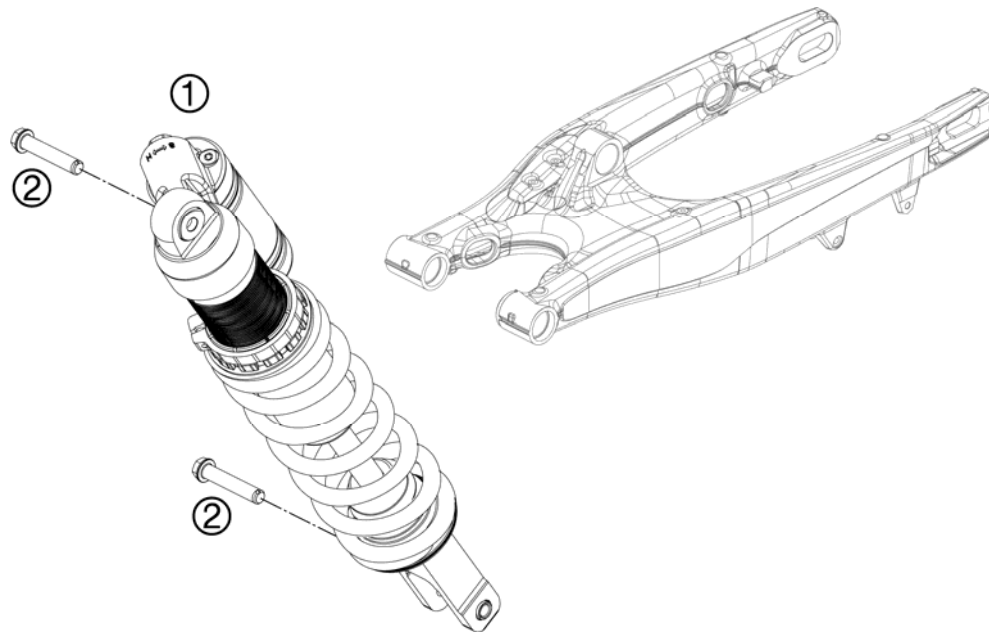
\* NEW PART

X AS REQUIRED



# SHOCK ABSORBER

FE 350 USA 2013



| FIG | PART NUMBER | DESCRIPTION                 | QTY |
|-----|-------------|-----------------------------|-----|
| 1   | 12457M6701  | MONOSHOCK 350 FE            | 1   |
| 2   | 0025120506S | HH COLLAR SCREW M12X50 TX45 | 2   |

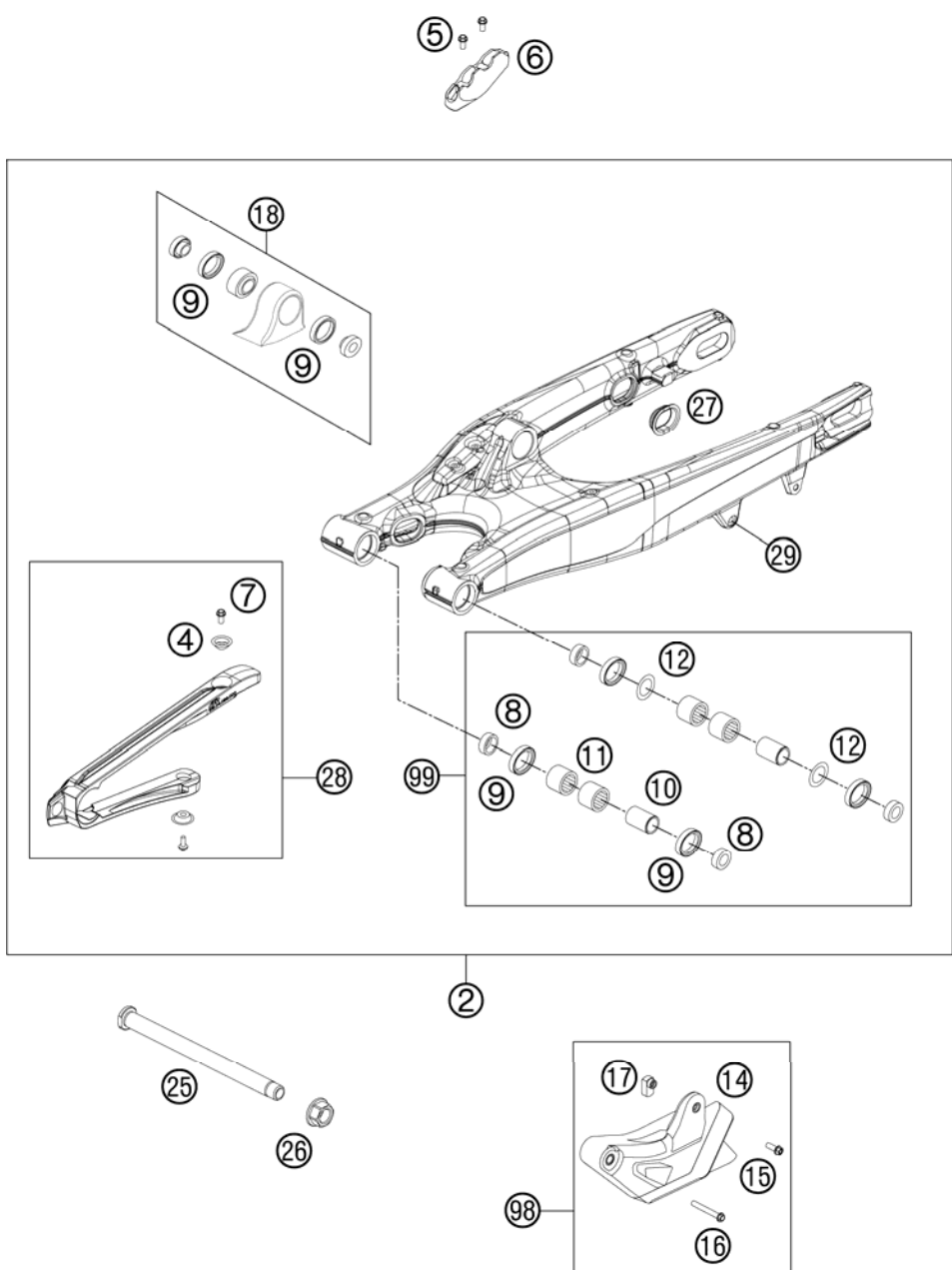
127750410 / C138130411

\* NEW PART

X AS REQUIRED







| FIG | PART NUMBER | DESCRIPTION                    | QTY |
|-----|-------------|--------------------------------|-----|
| 2   | 51504030044 | SWING ARM CPL. PDS 2011        | 1   |
| 4   | 77304066050 | BUSHING F. CHAIN SLIDING PR.07 | 2   |
| 5   | 0009050106  | EJOT SPIRAL SCREW SF M5X10-K   | 2   |
| 6   | 77313047000 | BRAKE HOSE GUIDE LOWER 07      | 1   |
| 7   | 59009062013 | SPECIAL SCREW M6X13 WS=8 10.9  | 2   |
| 8   | 54804034000 | BUCKET F. SHAFT SEAL RING 03   | 4   |
| 9   | 0760253270  | SHAFT SEAL RING 25X32X7        | 6   |
| 10  | 54804032000 | BUSHING SLEEVE F. SWING ARM 03 | 2   |
| 11  | 58033097000 | NEEDLE BEARING HK 2216         | 4   |
| 12  | 54603036000 | STOP DISK 22,2X31,7X1          | 2   |
| 14  | 78004070100 | CHAIN GUIDE CPL.               | 1   |
| 15  | 59009062019 | SPECIAL SCREW M6X19 WS=8 10.9  | 1   |
| 16  | 0025060456  | HH COLLAR SCREW M6X45 TX30     | 1   |
| 17  | 77304070030 | INSERTION NUT F. CHAIN GUIDE   | 1   |
| 18  | 50304090144 | PIVOT BEARING+BUSH. PDS '11    | 1   |
| 25  | 77304037000 | SWINGARM BOLT M16X1,5 07       | 1   |
| 26  | 54804038000 | SELF LOCK.NUT M16X1,5 WS=19 03 | 1   |
| 27  | 77204041000 | CLOSING COVER                  | 4   |
| 28  | 51504066044 | CHAIN SLIDING GUARD KIT 11-12  | 1   |
| 29  | 54603055051 | PRESS IN NUT M6 STEEL ZINC     | 1   |
| 98  | 77304070310 | CHAIN GUIDE KIT REAR 08-12     | x   |
| 99  | 54804230210 | SWINGARM REPAIR KIT 05-12      | x   |

138130490 / C138130490

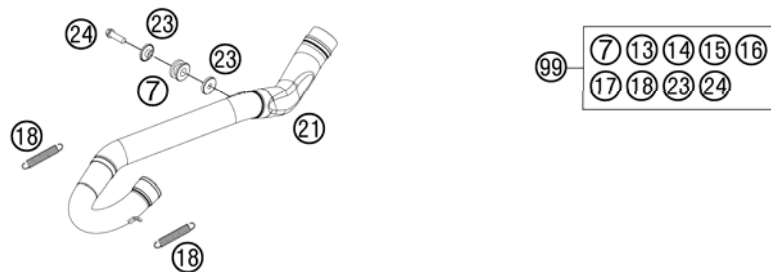
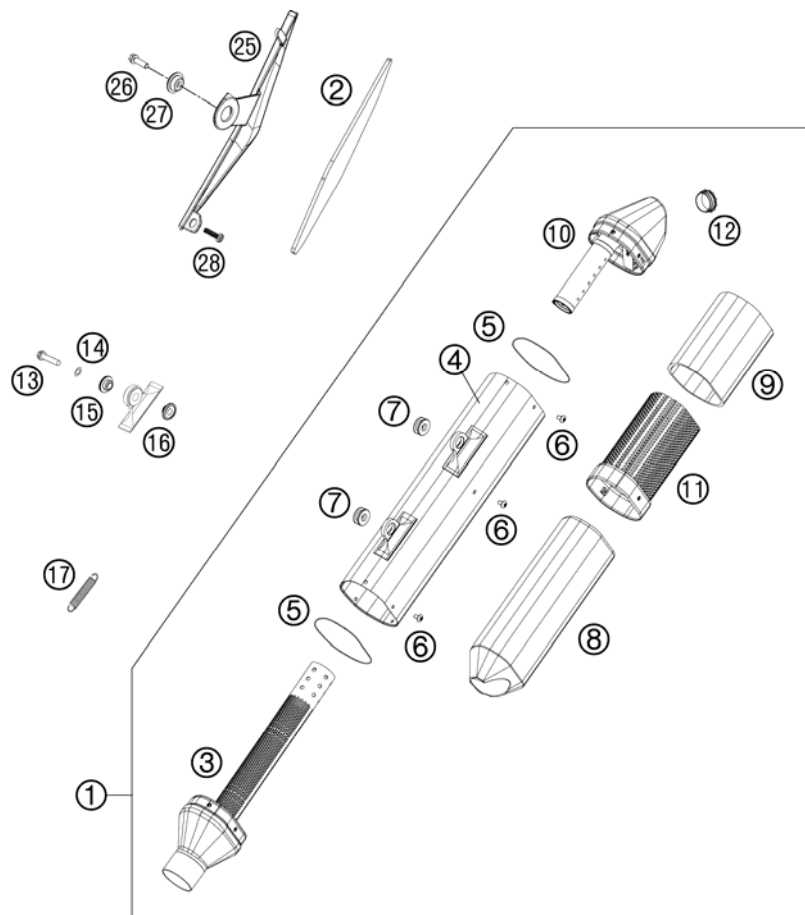
\* NEW PART

X AS REQUIRED



# EXHAUST SYSTEM

FE 350 USA 2013



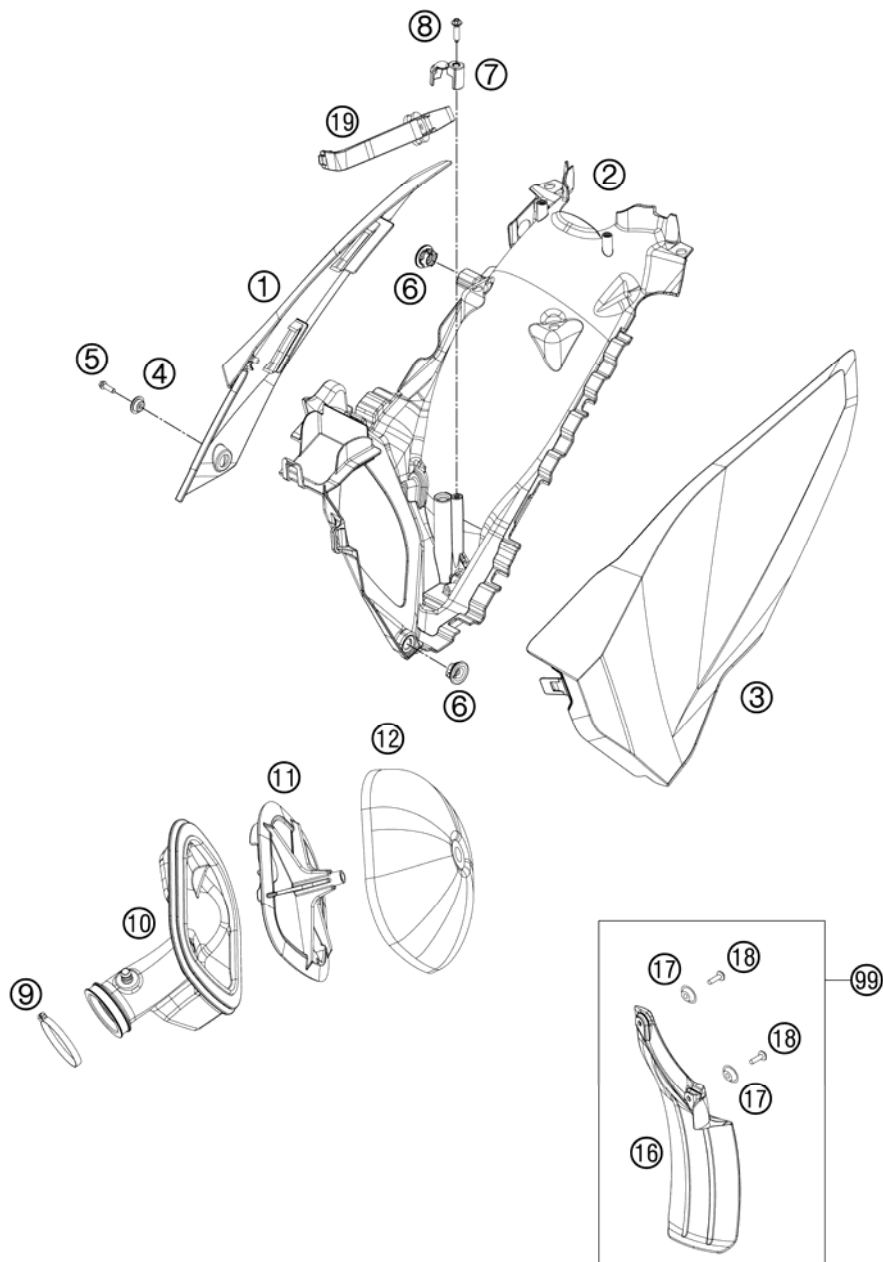
| FIG | PART NUMBER   | DESCRIPTION                    | QTY |
|-----|---------------|--------------------------------|-----|
| 1   | 81305082000   | ENDDÄMPFER FE USA              | 1   |
| 2   | 81305011050   | THERMAL PROTECTION FOIL        | 1   |
| 3   | 78105081050   | CONNECTING CAP                 | 1   |
| 4   | 81305082080   | ENDDÄMPFERHÜLLE FE USA         | 1   |
| 5   | 0770740015    | O-RING 74,00X1,50 FKM 75SH     | 2   |
| 6   | 78105081010   | SCREW TORX M5X10               | 12  |
| 7   | 77205068000   | DAMP. COMPON. BLACK            | 3   |
| 8   | 78105078400   | ROCKWOOL PREFOMED              | 1   |
| 9   | 78105078070   | STUFFING YARN REAR             | 1   |
| 10  | 78105082060   | SILENCER CAP EXC USA           | 1   |
| 11  | 78105081040   | INSERT SILENCER                | 1   |
| 12  | 77005081055   | SIL. ELEMENT EXC-F 07          | 1   |
| 13  | 0025060306    | HH COLLAR SCREW M6X30 TX30     | 2   |
| 14  | 0137060003    | SPRING WASHER DIN0137-B 6      | 2   |
| 15  | 81305069000   | BUSHING 7,5X12X20              | 2   |
| 16  | 77205169000   | BUSHING 7.5x12x28x8.3 11       | 2   |
| 17  | 50305116000   | TEN.SPRING L=75MM EY.MOVEABLE  | 1   |
| 18  | 50305016000   | TEN.SPRING L=62MM EY.MOVEABLE  | 2   |
| 21  | 77205007000   | EXHAUST MANIFOLD 350 SX-F 11   | 1   |
| 23  | 59405069000   | BUSHING FOR EXHAUST SUPPORT 03 | 2   |
| 24  | 0025080206    | HH COLLAR SCREW M8X20 TX40     | 1   |
| 25  | 81305011000B0 | HEAT SHIELD GREY               | 1   |
| 26  | 0025060206    | HH COLLAR SCREW M6X20 TX30     | 1   |
| 27  | 77308013010   | COLLAR BUSH. F.REAR FENDER 07  | 1   |
| 28  | 0081050121    | SCREW FOR PLASTIC K50X12 T20   | 1   |
| 99  | 00050000817   | EXHAUST PARTS KIT FE 13        | x   |

138130518 / C138130519

\* NEW PART

X AS REQUIRED





| FIG | PART NUMBER    | DESCRIPTION                     | QTY |
|-----|----------------|---------------------------------|-----|
| 1   | 8130600400028A | AIRFIL.BOX COVER R/S WITH DECAL | 13  |
| 2   | 81306001000B0  | FILTER WALL                     | 1   |
| 3   | 8130600300028A | AIRFIL.BOX COVER L/S WITH DECAL | 13  |
| 4   | 77308013010    | COLLAR BUSH. F.REAR FENDER 07   | 1   |
| 5   | 0025060206     | HH COLLAR SCREW M6X20 TX30      | 1   |
| 6   | 47106003160    | QUICK CONNECTOR CLUTCH          | 2   |
| 7   | 81306001010    | FIXING CAP                      | 1   |
| 8   | 0017060203     | EJOT PT SCREW K60X20 WS=6       | 1   |
| 9   | 78006027000    | HOSE CLAMP 45-65MM              | 1   |
| 10  | 77506026000    | AIRBOXRUBBER 350 EFI            | 1   |
| 11  | 77206016000    | FILTER CARRIER                  | 11  |
| 12  | 77206015000    | AIR FILTER                      | 1   |
| 16  | 77306010000    | FENDER FOR FILTER BOX           | 1   |
| 17  | 77304066050    | BUSHING F. CHAIN SLIDING PR.07  | 2   |
| 18  | 0017060204     | EJOT PT SCREW K60X20 ALU WS=6   | 2   |
| 19  | 81306017000    | FILTER SUPPORT CPL.             | 1   |
| 99  | 77306010010    | SPLASH PROTECTOR KIT SX/EXC     | x   |

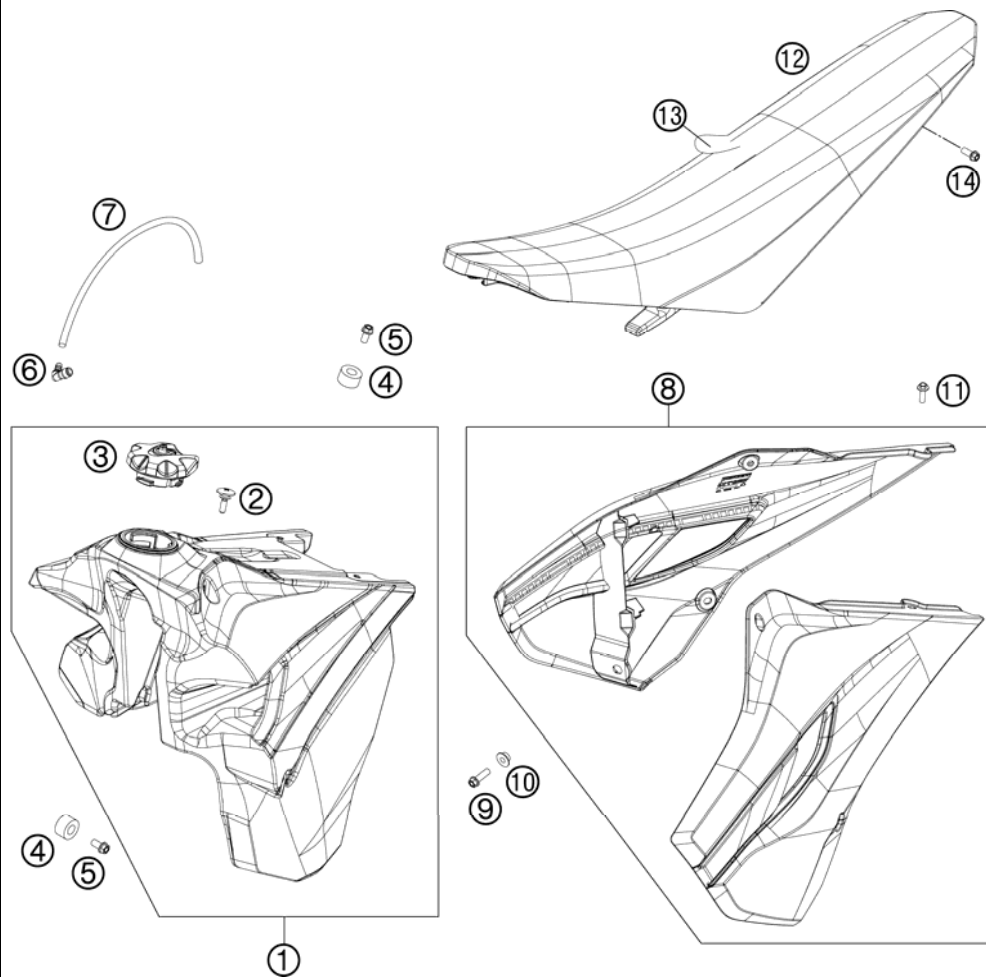
138130613 / C138130616

\* NEW PART

X AS REQUIRED

# TANK, SEAT, COVER

FE 350 USA 2013



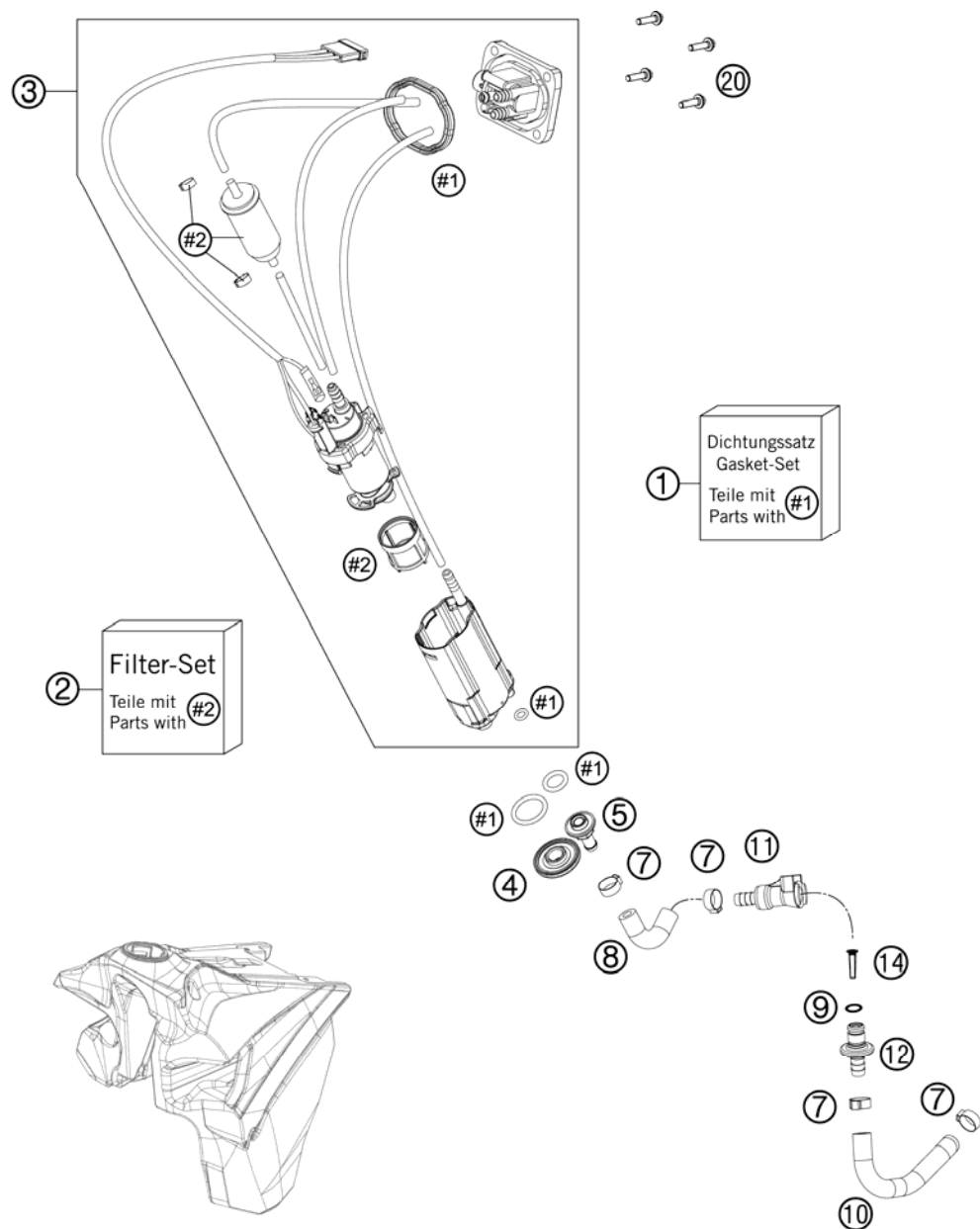
| FIG | PART NUMBER    | DESCRIPTION                    | QTY |
|-----|----------------|--------------------------------|-----|
| 1   | 8130751304499  | BENZINTANK KPL. FE USA         | 1   |
| 2   | 50307011000    | SCREW SEAT FASTENING D=6X23/18 | 1   |
| 3   | 7800700804455  | TANK PLUG CPL. HUSABERG 09     | 1   |
| 4   | 50307014000    | TANK ROLLER 12X26X12 '98       | 3   |
| 5   | 0026060136     | COLLAR SCREW M6X13 ISA30       | 3   |
| 6   | 50330022000    | ANGLE PIEC 90 DEGREE M10X1 02  | 1   |
| 7   | 78007000270    | PVC-HOSE 5,6X10X270MM          | 1   |
| 8   | 8130805400068A | SPOILER SET BLUE 2013          | 1   |
| 9   | 0025060206     | HH COLLAR SCREW M6X20 TX30     | 2   |
| 10  | 50308052000    | BUSH FOR SPOILER 6X11X16X5 MM  | 2   |
| 11  | 0014050123     | HH COLLAR SCREW M 5X12 WS=6    | 8   |
| 12  | 81207040000    | SEAT FE 2009                   | 1   |
| 13  | 81307040050    | SEAT COVER                     | 1   |
| 14  | 0025060206     | HH COLLAR SCREW M6X20 TX30     | 2   |

138130713 / C138130713

\* NEW PART

X AS REQUIRED





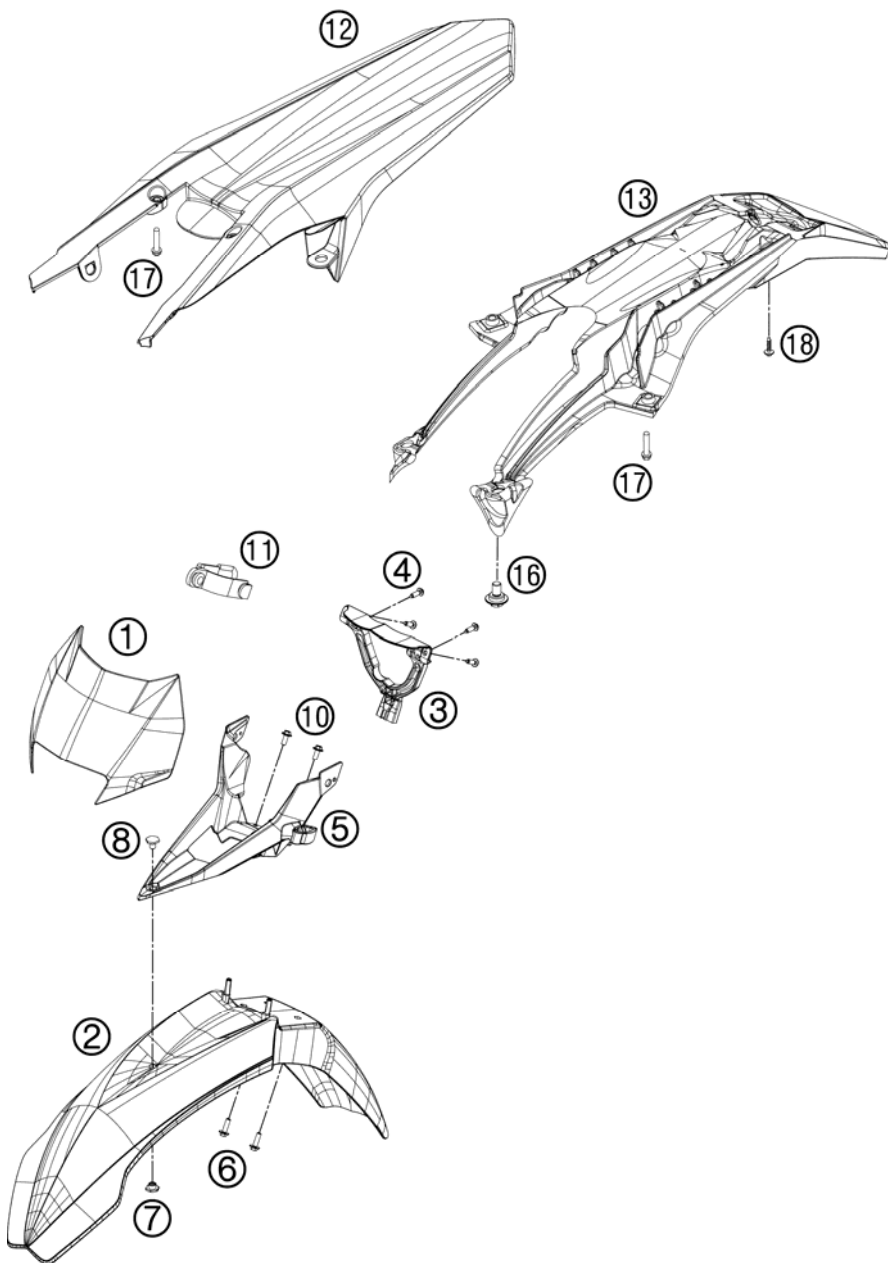
| FIG | PART NUMBER   | DESCRIPTION                   | QTY |
|-----|---------------|-------------------------------|-----|
| 1   | 78107089000   | GASKET KIT                    | 1   |
| 2   | 81207090000   | FILTER KIT                    | 1   |
| 3   | 78107088000   | FUEL PUMP CPL. EXC            | 1   |
| 4   | 78107088014   | NUT F. FUEL PUMP M12          | 1   |
| 5   | 78107088017   | FUEL CONNECTOR M8             | 1   |
| 7   | 00050157706   | VARIABLE ONE-EAR CLAMP 15,7MM | 4   |
| 8   | 77407116100   | FUEL HOSE TANK                | 1   |
| 9   | 58507012000   | O-RING VITON F. PLUG CPC 05   | 1   |
| 10  | 77407016100   | FUEL HOSE PREFORMED DKK       | 1   |
| 11  | 5850701050030 | CLUTCH CPC BLACK 05           | 1   |
| 12  | 77707010000   | CONNECTOR FUEL PUMP           | 1   |
| 14  | 78141013190   | FUEL FILTER                   | 1   |
| 20  | 0014050203    | HH COLLAR SCREW M 5X20 WS=6   | 4   |

138130732 / C138130732

\* NEW PART

X AS REQUIRED





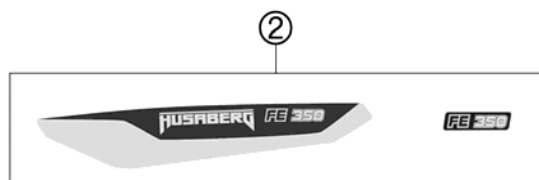
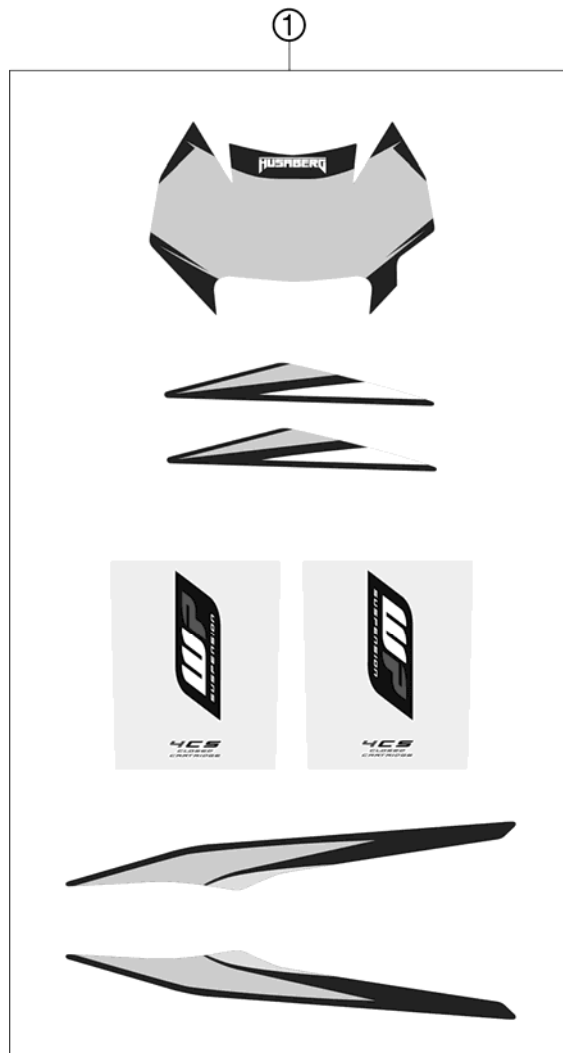
| FIG | PART NUMBER   | DESCRIPTION                  | QTY |
|-----|---------------|------------------------------|-----|
| 1   | 8120800110028 | HEADLIGHTMASK WHITE 2010     | 1   |
| 2   | 8130801000068 | FRONT FENDER BLUE            | 1   |
| 3   | 81208003000   | HEAD LIGHT SUPPORT 2009      | 1   |
| 4   | 0081050181    | SCREW FOR PLASTIC K50X18 T20 | 4   |
| 5   | 81208009100B0 | FENDER BRACE GREY            | 1   |
| 6   | 0025060206    | HH COLLAR SCREW M6X20 TX30   | 4   |
| 7   | 50308009051   | NUT FENDER BRACE M8 WS=17    | 1   |
| 8   | 50308009050   | SCREW FEND.BRACE M8X9 WS=17  | 1   |
| 10  | 0024060156    | HH COLLAR SCREW M6X15 TX30   | 2   |
| 11  | 50211086000   | MASK RUBBER UFO WP '95       | 2   |
| 12  | 8130801300068 | REAR FENDER BLUE 2013        | 1   |
| 13  | 81308015000   | NUMBER PLATE CARRIER TOP     | 1   |
| 16  | 83008000012   | SPECIAL SCREW M6X12X3        | 2   |
| 17  | 0025060256    | HH COLLAR SCREW M6X25 TX30   | 2   |
| 18  | 0017060203    | EJOT PT SCREW K60X20 WS=6    | 4   |

138130811 / C138130811

\* NEW PART

X AS REQUIRED





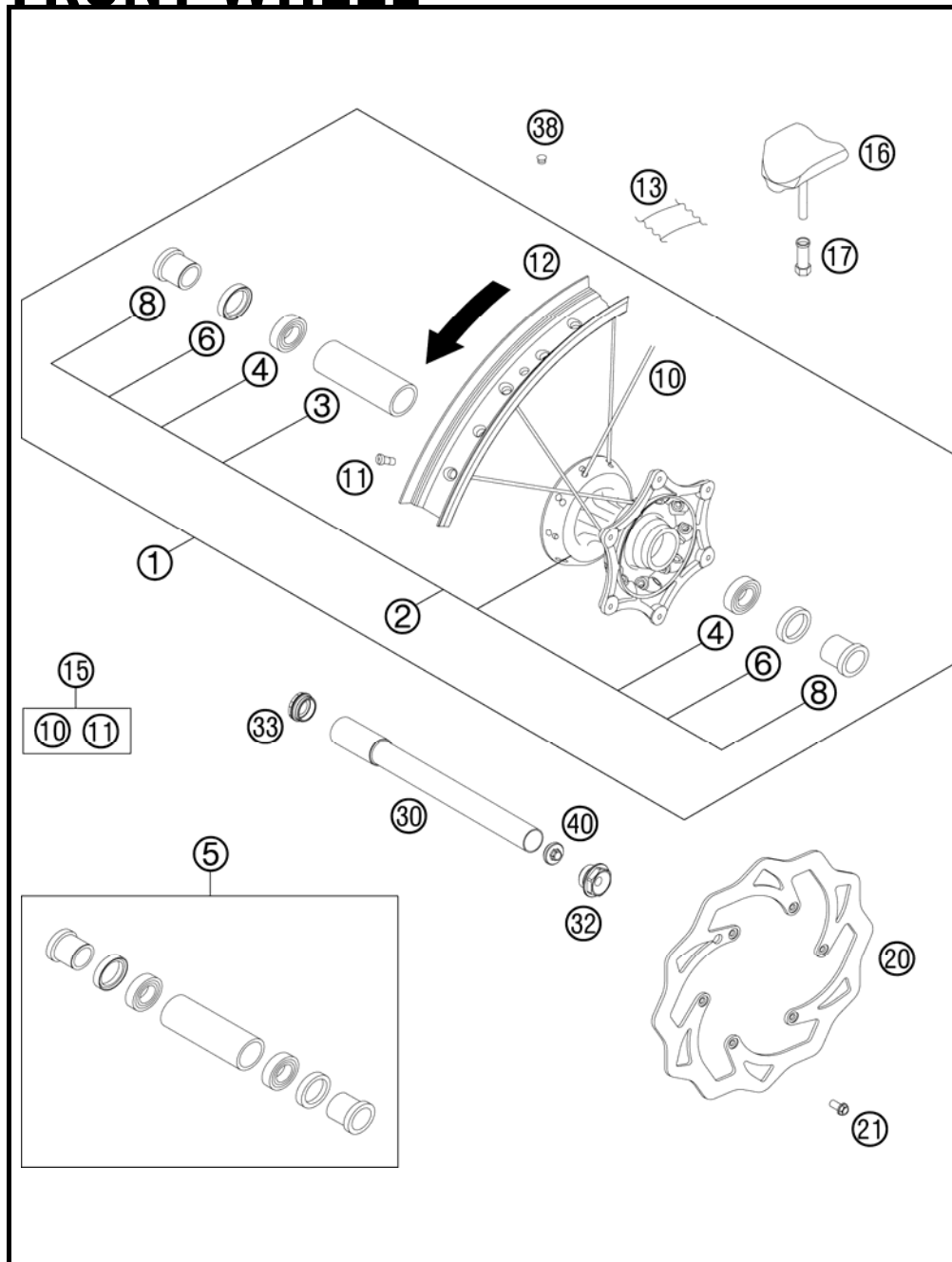
| FIG | PART NUMBER | DESCRIPTION                | QTY |
|-----|-------------|----------------------------|-----|
| 1   | 81308099000 | DECAL KIT HUSABERG FE 2013 | 1   |
| 2   | 81308097100 | DISPLACEMENT STICKER 350FE | 1   |

138130832 / C138130832

\* NEW PART

X AS REQUIRED





| FIG | PART NUMBER   | DESCRIPTION                    | QTY |
|-----|---------------|--------------------------------|-----|
| 1   | 8130900104468 | FRONT WHEEL CPL. 1,60X21" 13   | 1   |
| 2   | 78009010144   | FRONT WHEEL HUB CPL.           | 1   |
| 3   | 54809011000   | BEA.SPACERTUBE 35X2 L=79,4 03  | 1   |
| 4   | 0625069068    | GR.BALL BEAR.6906 DDU2CG23S6NM | 2   |
| 5   | 78009015000   | FRONT WHEEL REP. KIT           | 1   |
| 6   | 0760354771    | SHAFT SEAL RING 35X47X7 TC     | 2   |
| 8   | 78009012000   | SPACER BUSHING F. FR. WHEEL 08 | 2   |
| 10  | 7710907122630 | SPOKE M4,5X226- 21" BLACK 12   | 36  |
| 11  | 77109072000   | SPOKE NIPPLE M4,5 AL 11        | 36  |
| 12  | 8120907010068 | RIM FRONT 1,6X1" DID AL7 BLUE  | 1   |
| 13  | 50309073000   | RIM BAND 21"                   | 1   |
| 15  | 00050000954   | SPOKE KIT FRONT "21" BLACK     | x   |
| 16  | 78109090000   | RIM LOCK 1,60"                 | 1   |
| 17  | 77110090050   | NUT FOR WHEEL HOLDER           | 1   |
| 20  | 77309060000   | BRAKE DISC FRONT 260           | 1   |
| 21  | 59009062013   | SPECIAL SCREW M6X13 WS=8 10.9  | 6   |
| 30  | 77309081000   | WHEEL SPIN.FR. D=26 M24x1,5 07 | 1   |
| 32  | 54809082000   | SPINDLE SCREW M24X1,5 WS=27 03 | 1   |
| 33  | 54809081050   | PLUG BUSHING WS=27 03          | 1   |
| 38  | 55003135000   | PLUG FOR RIM                   | x   |
| 40  | 54809081070   | AUXILIARY SCREW FRONT 06       | 1   |

117710910 / C138130910

\* NEW PART

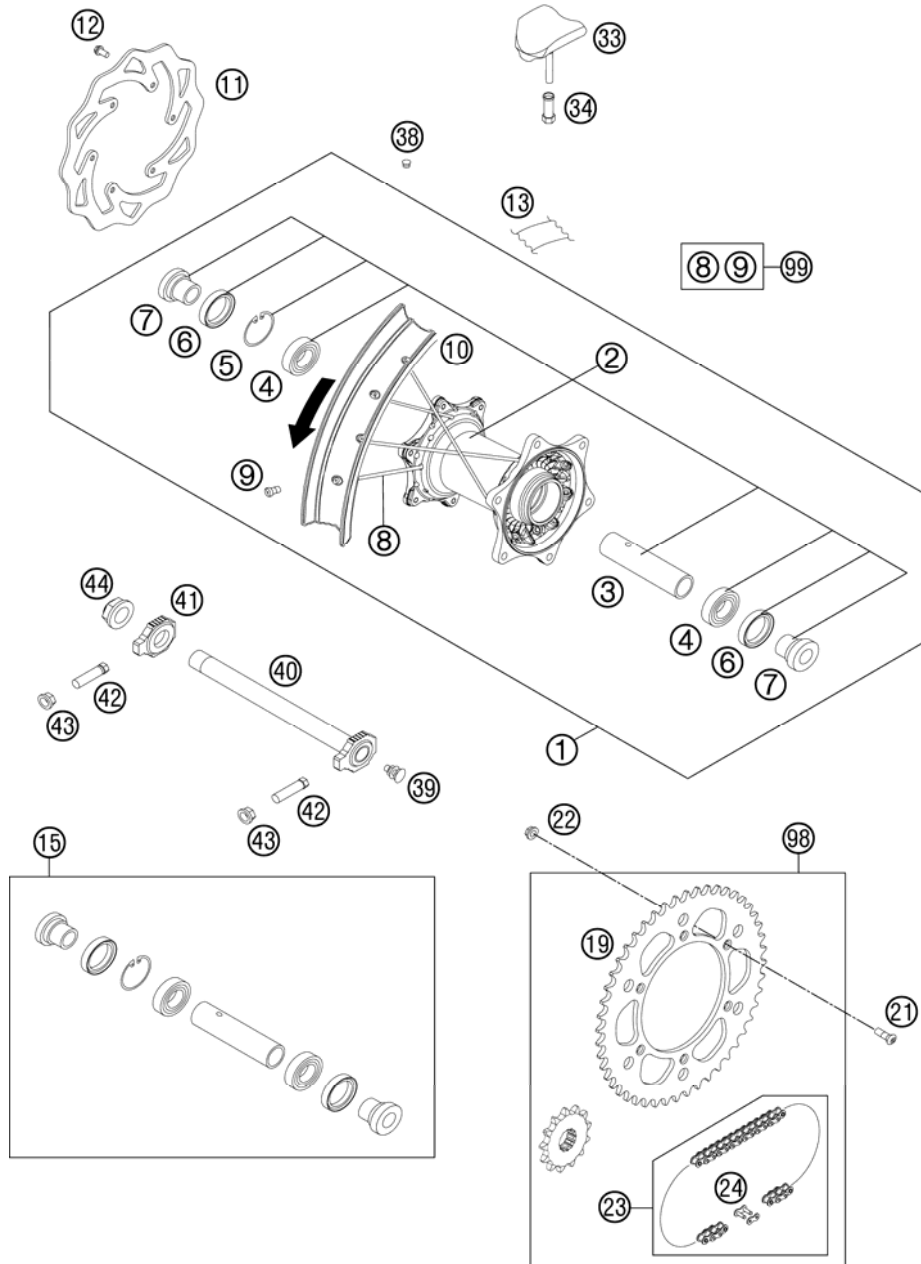
X AS REQUIRED





# REAR WHEEL

FE 350 USA 2013



| FIG | PART NUMBER   | DESCRIPTION                    | QTY |
|-----|---------------|--------------------------------|-----|
| 1   | 8131000104468 | REAR WHEEL CPL. 2,15X18" 13    | 1   |
| 2   | 78010010144   | REAR WHEEL HUB CPL.            | 1   |
| 3   | 59010011000   | BUSHING SPACER TUBE 121,5MM 01 | 1   |
| 4   | 0625060058    | GR.BALL BEAR.6005 DDU2CG23S6NM | 2   |
| 5   | 0472047175    | CIRCLIP DIN0472-47X1,75        | 1   |
| 6   | 0760324771    | SHAFT SEAL RING 32X47X7 BSL    | 2   |
| 7   | 78010016000   | BUSHING FOR HUB 08             | 2   |
| 8   | 7711007119330 | SPOKE M4,5X193- 18" BLACK 12   | 36  |
| 9   | 77109072000   | SPOKE NIPPLE M4,5 AL 11        | 36  |
| 10  | 8121007010068 | RIM 2,15X18" DID AL7 BLUE      | 1   |
| 11  | 77310060000   | BRAKE DISC REAR 220            | 1   |
| 12  | 59009062013   | SPECIAL SCREW M6X13 WS=8 10.9  | 6   |
| 13  | 50310073200   | RIM BAND 18" AND 19"           | 1   |
| 15  | 78010015000   | REAR WHEEL REP. KIT            | 1   |
| 19  | 58310051038   | REAR SPROCKET 38-T             | x   |
| 19  | 58310051042   | REAR SPROCKET 42-T             | x   |
| 19  | 58310151040   | REAR SPROCKET 40-T             | x   |
| 19  | 58310151045   | REAR SPROCKET 45-T             | x   |
| 19  | 58310151048   | REAR SPROCKET 48-T             | x   |
| 19  | 58310151049   | REAR SPROCKET 49-T             | x   |
| 19  | 58310151050   | REAR SPROCKET 50-T             | x   |
| 19  | 58310151051   | REAR SPROCKET 51-T             | x   |
| 19  | 58310151052   | REAR SPROCKET 52-T             | 1   |
| 21  | 0019080266S   | COUNTER-SUNK SCREW ISA45 M8X26 | 6   |
| 22  | 06923080003   | HEXAGON NUT DIN EN1661 M8 SW13 | 6   |
| 23  | 78010167118   | CHAIN DID 118 ROLLS            | 1   |
| 24  | 78010166000   | CONNECTING LINK F. 78010167118 | 1   |
| 33  | 78110090000   | RIM LOCK 2,15"                 | 1   |
| 34  | 77110090050   | NUT FOR WHEEL HOLDER           | 1   |
| 38  | 55003135000   | PLUG FOR RIM                   | x   |
| 39  | 50210086000   | COVERING CAP SFL16             | 1   |
| 40  | 77310085044   | WHEEL SPINDLE RE. CPL.265MM 07 | 1   |
| 41  | 50310084000   | CHAIN TENSIONER R/S 2000       | 1   |
| 42  | 50304040100   | SCREW M10X1,25X50 WS=10        | 2   |
| 43  | 58414030000   | HH COLLAR NUT M10X1,25 WS=13   | 2   |

127751010 / C138131010

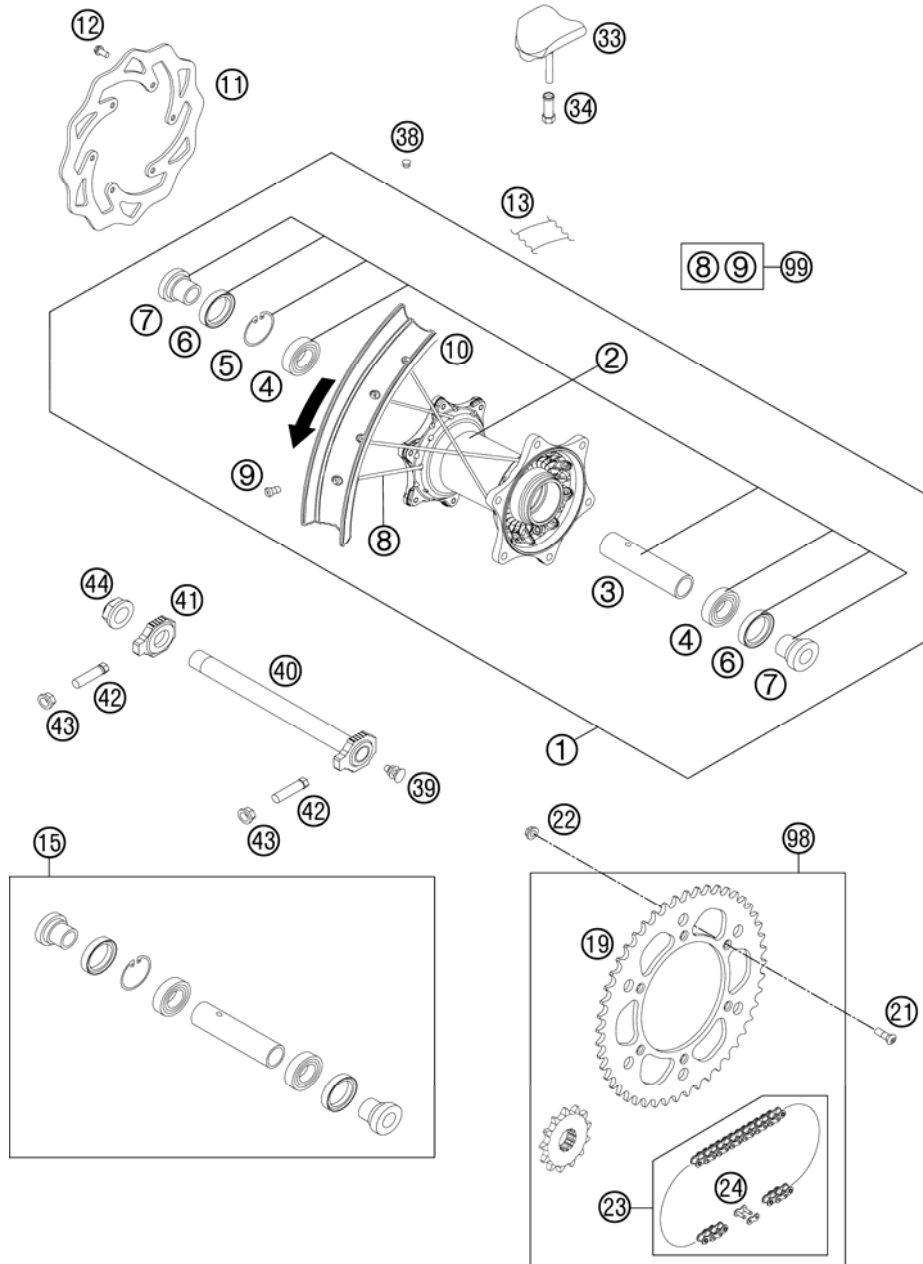
\* NEW PART

X AS REQUIRED



# REAR WHEEL

FE 350 USA 2013



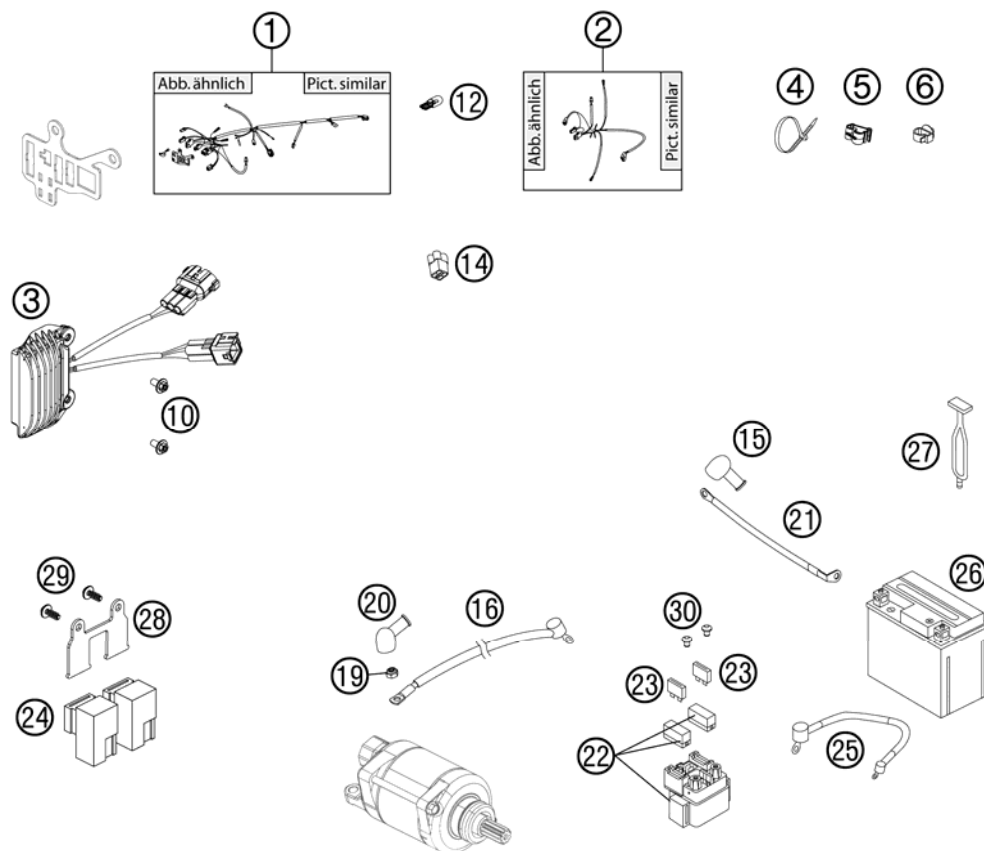
| FIG | PART NUMBER | DESCRIPTION                    | QTY |
|-----|-------------|--------------------------------|-----|
| 44  | 50310099000 | HEXAGON NUT M20X1,5 '98        | 1   |
| 98  | 00050002007 | DRIVETRAIN KIT EXC-F 13/52T    | x   |
| 98  | 00050002010 | DRIVETRAIN KIT 450 EXC 14T/52T | x   |
| 99  | 00050000958 | SPOKE KIT REAR 18" BLACK       | x   |

127751010 / C138131010

\* NEW PART

X AS REQUIRED





| FIG | PART NUMBER | DESCRIPTION                    | QTY |
|-----|-------------|--------------------------------|-----|
| 1   | 78111075033 | WIRING HARNESS EFI VMT. EU/AUS | 1   |
| 2   | 78111079100 | WIRING HARNESS LIGHT XC-W 2012 | 1   |
| 3   | 78111034000 | VOLTAGE REGULATOR              | 1   |
| 4   | 44011076140 | CABLE TIE 140/2,5MM BLACK      | x   |
| 4   | 44011076200 | CABLE TIE 200/3,6MM BLACK      | x   |
| 4   | 44011076305 | CABLE TIE 300/4,8MM BLACK      | x   |
| 5   | 83013026000 | CABLE GUIDE                    | 2   |
| 6   | 58111076000 | CABLE SUPPORT KHS NR.150-47610 | 1   |
| 10  | 0023060123  | COLLAR SCREW M6X12 TX          | 2   |
| 12  | 49111425200 | BULB 12V 2,3W (W2X4,6D)        | 1   |
| 14  | 81211096000 | DUMMY PLUG AN 4-PIN            | 1   |
| 15  | 81311040000 | PROTECTION CAP F. GROUND       | 1   |
| 16  | 81311059000 | STARTER CABLE                  | 1   |
| 19  | 0985060003  | SELF LOCK. NUT DIN0985-M 6     | 1   |
| 20  | 77240099000 | PROTECTION CAP F. STARTER ENG. | 1   |
| 21  | 76211097000 | GROUND CABLE                   | 1   |
| 22  | 76211058000 | STARTER RELAY 07               | 1   |
| 23  | 58011109120 | FUSE 20 A                      | 2   |
| 24  | 61111057000 | RELAY CM1A-R-12V-H80 07        | 2   |
| 25  | 81311059050 | WIRING HARNESS BATTERY         | 1   |
| 26  | 58511053000 | BATTERY 12V 4AH YTX5L-BS       | 1   |
| 27  | 50303018000 | RUBBER L=145MM                 | 2   |
| 28  | 81311037000 | BRACKET POWERRELAIS            | 1   |
| 29  | 0081050121  | SCREW FOR PLASTIC K50X12 T20   | 2   |
| 30  | 0902060083  | AH OVAL SCREW ISO 7380 M 6X8   | 2   |

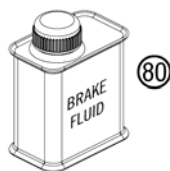
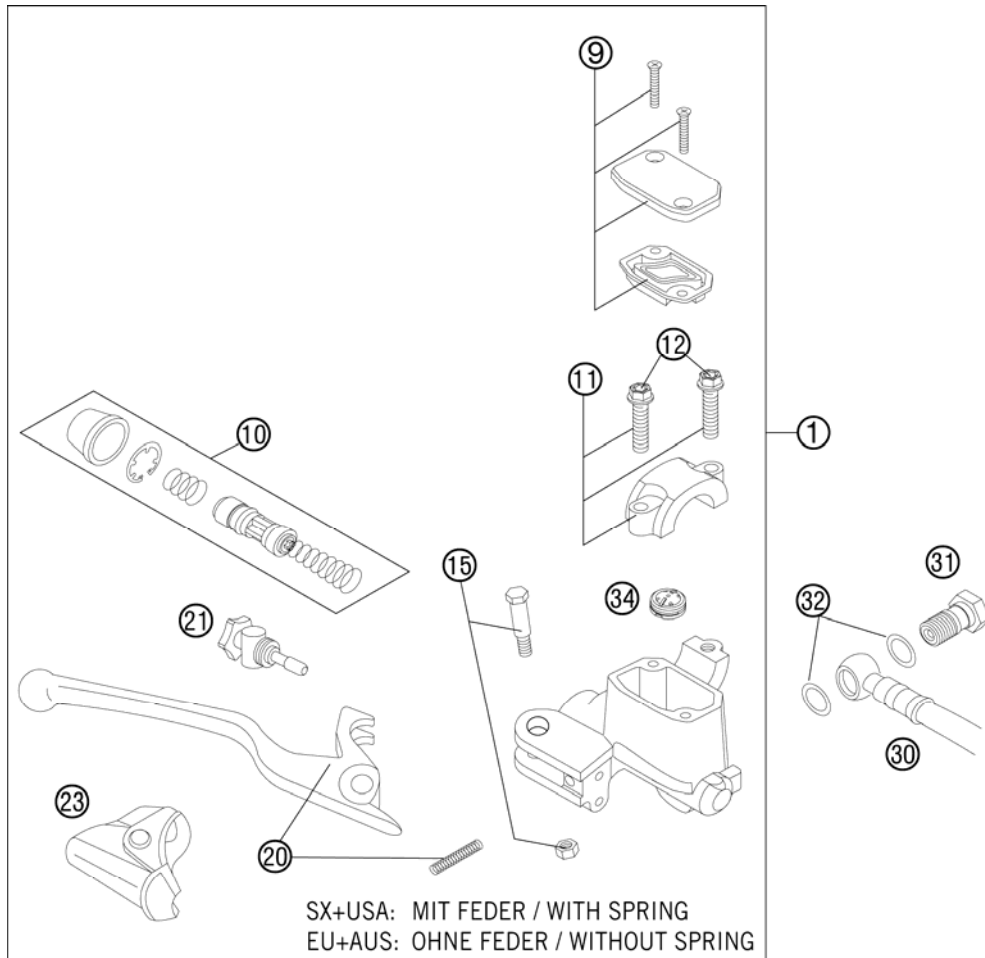
138131113 / C138131116

\* NEW PART

X AS REQUIRED

# HAND BRAKE CYLINDER

FE 350 USA 2013



| FIG | PART NUMBER | DESCRIPTION                      | QTY |
|-----|-------------|----------------------------------|-----|
| 1   | 77013001044 | HAND BRAKE CYLINDER CPL. SX 09   | 1   |
| 9   | 50313003000 | HANDBRAKE CYL. COVER CPL. NATURE | 1   |
| 10  | 54813008300 | REP. SET PISTON D=9MM 2009       | 1   |
| 11  | 50313005000 | CLAMP CPL. NATURE                | 1   |
| 12  | 0025060256  | HH COLLAR SCREW M6X25 TX30       | 2   |
| 15  | 50313006100 | LEVER SCREW CPL. 2001            | 1   |
| 20  | 54813002200 | HAND BRAKE LEVER + SPRING 2009   | 1   |
| 21  | 54813007300 | ADJUSTING SCREW CPL. SX 2009     | 1   |
| 23  | 50313004000 | PROTECTION CAP HAND BRAKE CYL.   | 1   |
| 30  | 59013011000 | BRAKEHO. FRONT 1300MM 2000       | 1   |
| 31  | 54813020100 | HOLLOW SCREW BLACK M10X1X19      | 1   |
| 32  | 0603100141  | COPPER GASKET DIN7603-10X14X1    | 2   |
| 34  | 54802051000 | VALVE                            | 1   |
| 80  | 00062030000 | BRAKE FLUID DOT5.1 0,25L         | 1   |

127811310 / C127811310

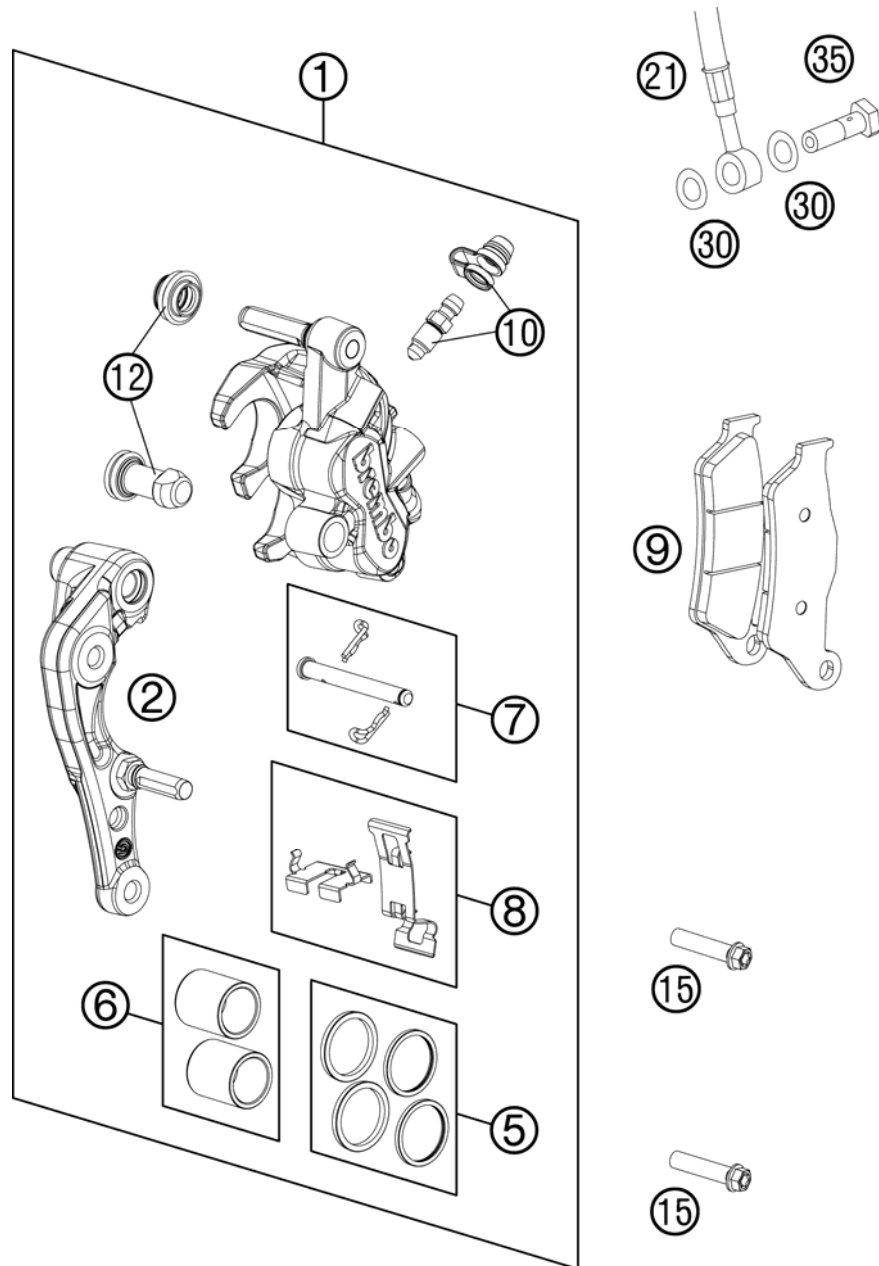
\* NEW PART

X AS REQUIRED



# BRAKE CALIPER FRONT

FE 350 USA 2013



| FIG | PART NUMBER   | DESCRIPTION                    | QTY |
|-----|---------------|--------------------------------|-----|
| 1   | 7701301500101 | CALIPER NAT. WITHOUT PADS      | 1   |
| 2   | 77013014000   | BRAKE CALIPER SUPPORT FRONT 09 | 1   |
| 5   | 77013021000   | REP. KIT SEALS 24MM            | 1   |
| 6   | 77013019000   | REP. KIT PISTON 24MM           | 1   |
| 7   | 77013017000   | BOLT CPL. 09                   | 1   |
| 8   | 77013018000   | RETAINING PLATE SET BREMBO     | 1   |
| 9   | 77013020000   | BRAKE PADS TOYO B153           | 1   |
| 10  | 61013020100   | BLEEDER SCREW WITH CAP         | 1   |
| 12  | 54613218000   | CUP SET SHORT                  | 1   |
| 15  | 0025080356S   | HH COLLAR SCREW M8X35 TX40     | 2   |
| 21  | 59013011000   | BRAKEHO. FRONT 1300MM 2000     | 1   |
| 30  | 0603100141    | COPPER GASKET DIN7603-10X14X1  | 2   |
| 35  | 50213025000   | HOLLOW SCREW M10X1X19          | 1   |

117711360 / C127811360

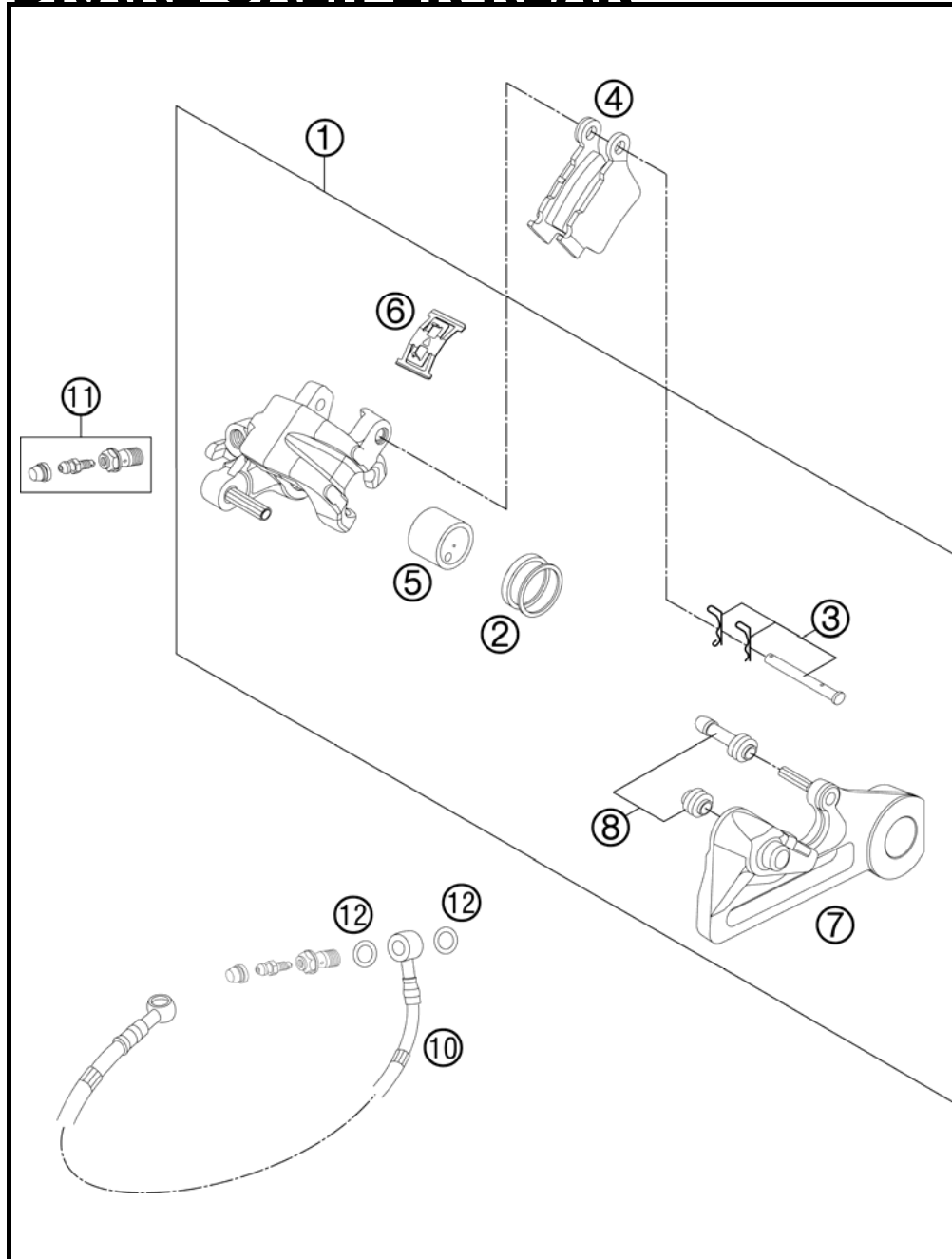
\* NEW PART

X AS REQUIRED



# BRAKE CALIPER REAR

FE 350 USA 2013



| FIG | PART NUMBER | DESCRIPTION                   | QTY |
|-----|-------------|-------------------------------|-----|
| 1   | 54813080101 | BRAKE CAL. RE. - WITHOUT PADS | 1   |
| 2   | 50313081200 | REPAIR KIT SEALING RINGS 26MM | 1   |
| 3   | 54813082000 | BOLT SET FOR BRAKE CALIPER 03 | 1   |
| 4   | 54813090300 | BRAKE PAD SET REAR TOYO       | 1   |
| 5   | 54813083000 | BRAKE PISTON 26MM 2003        | 1   |
| 6   | 54813018000 | RETAINING SPRING SET 2003     | 1   |
| 7   | 54813075000 | BRAKE CALIPER SUPPORT REAR    | 1   |
| 8   | 54613218000 | CUP SET SHORT                 | 1   |
| 10  | 54813070000 | BRAKE HOSE REAR 655MM 03      | 1   |
| 11  | 62513020000 | BLEEDER SCREW CPL. 05         | 1   |
| 12  | 0603100141  | COPPER GASKET DIN7603-10X14X1 | 2   |

127811390 / C127811390

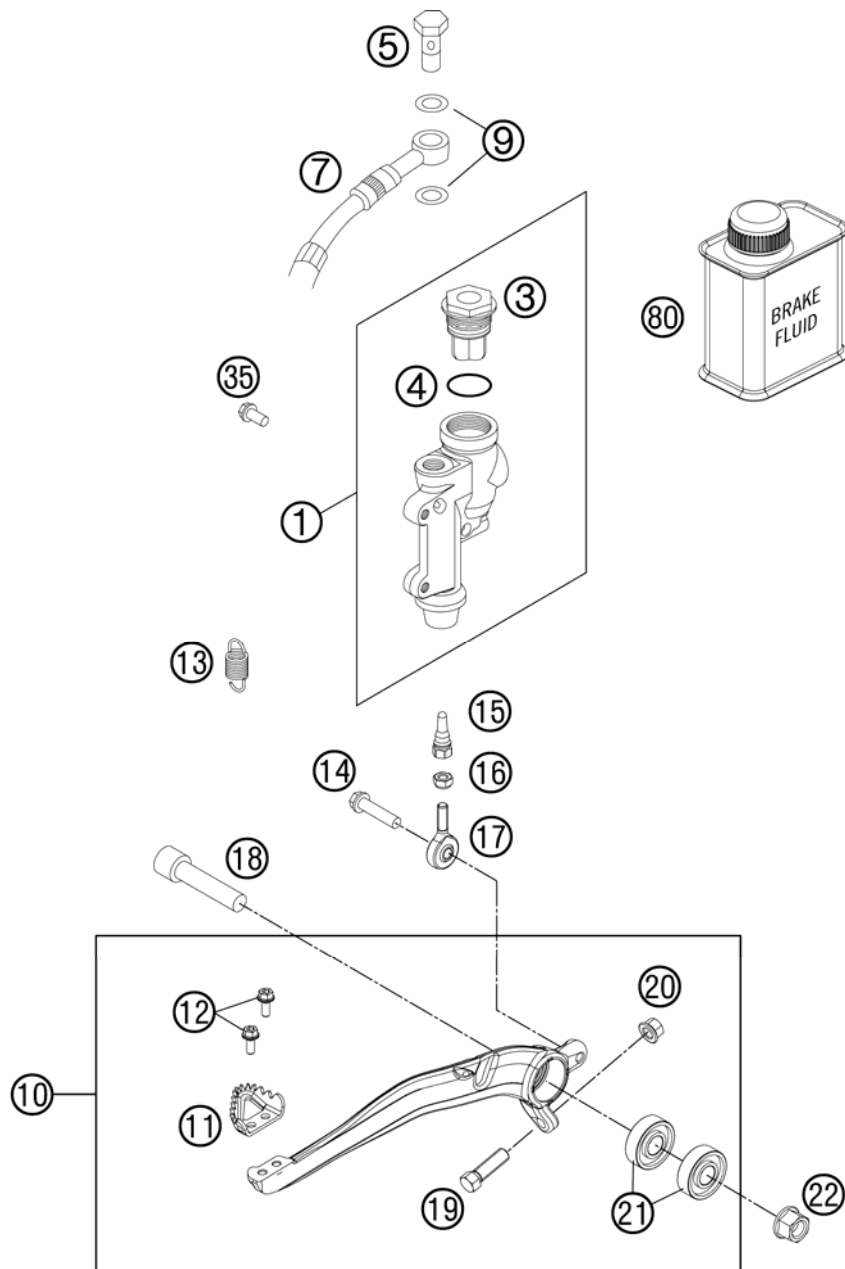
\* NEW PART

X AS REQUIRED



# REAR BRAKE CONTROL

FE 350 USA 2013



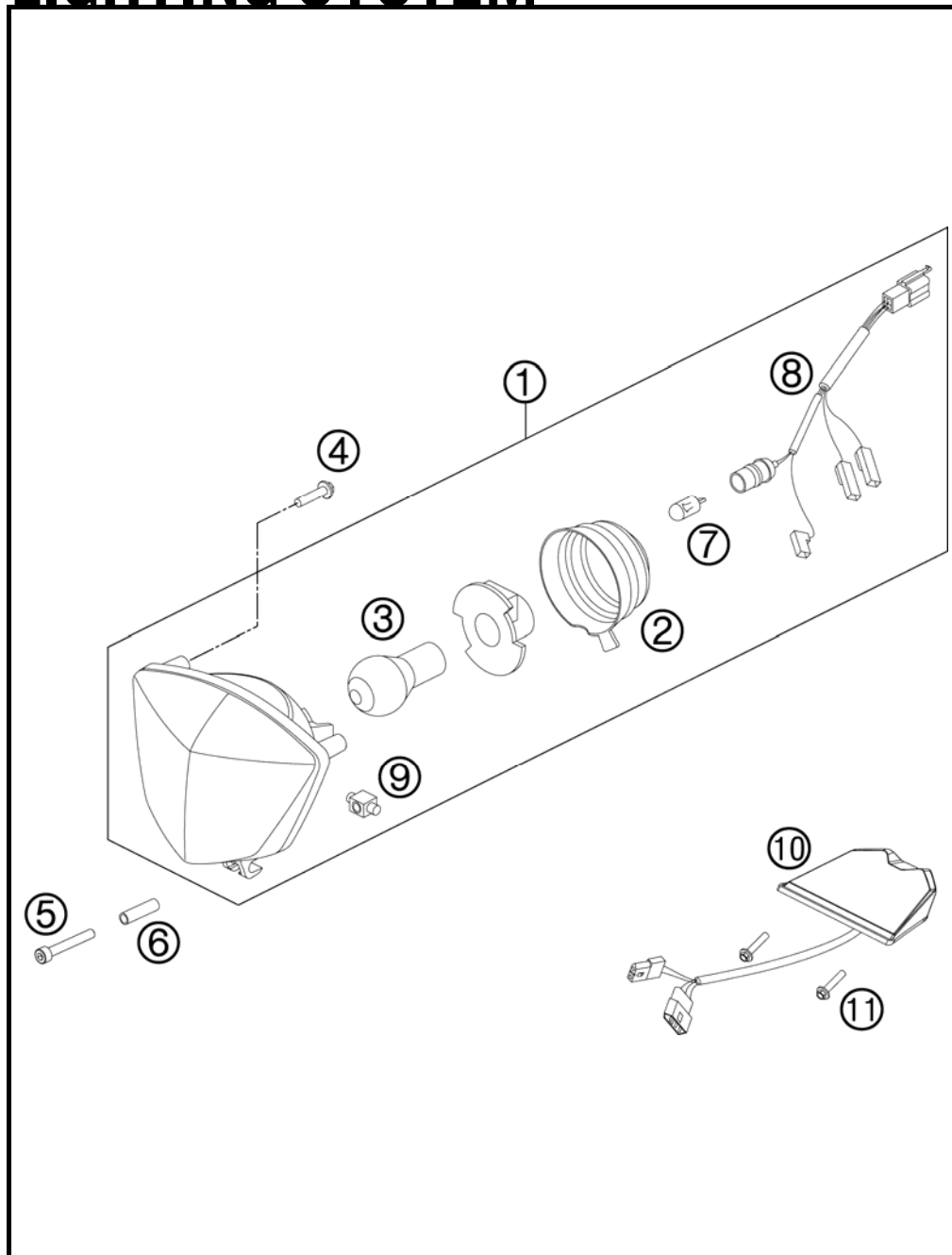
| FIG | PART NUMBER | DESCRIPTION                   | QTY |
|-----|-------------|-------------------------------|-----|
| 1   | 77013060044 | REAR BRAKE CYLINDER CPL.SX 09 | 1   |
| 3   | 54813062100 | REAR BRAKE CYL. COVER CPL. 04 | 1   |
| 4   | 54813063000 | FOOT-BRAKE CYL. GASKET SX 03  | 1   |
| 5   | 54813020100 | HOLLOW SCREW BLACK M10X1X19   | 1   |
| 7   | 54813070000 | BRAKE HOSE REAR 655MM 03      | 1   |
| 9   | 0603100141  | COPPER GASKET DIN7603-10X14X1 | 2   |
| 10  | 77213050044 | FOOT BRAKE LEVER CPL.         | 1   |
| 11  | 54813051000 | STEP PLATE FOR BRAKE LEVER    | 1   |
| 12  | 0025050126  | HH COLLAR SCREW M5X12 TX30    | 2   |
| 13  | 54603062000 | RETURN SPRING FOR BRAKE LEVER | 1   |
| 14  | 0025060206  | HH COLLAR SCREW M6X20 TX30    | 1   |
| 15  | 54813056000 | PUSH ROD L=28MM 03            | 1   |
| 16  | 0934060003  | HEXAGON NUT DIN0934-M 6       | 1   |
| 17  | 54813055000 | SWIVEL HEAD KA6 03            | 1   |
| 18  | 0032100406S | AH-COLLAR SCREW M10X40 ISA45  | 1   |
| 19  | 59001037000 | SPECIAL SCREW M8X26 WS=10     | 1   |
| 20  | 46030045000 | COLLAR NUT M8 WS=10           | 1   |
| 21  | 0625060002  | BALL BEARING SKF 6000-2RS1    | 2   |
| 22  | 54630044000 | COLLAR NUT M10 WS=13          | 1   |
| 35  | 0025060126  | HH COLLAR SCREW M6X12 TX30    | 2   |
| 80  | 00062030000 | BRAKE FLUID DOT5.1 0,25L      | 1   |

125031330 / C138131331

\* NEW PART

X AS REQUIRED





| FIG | PART NUMBER | DESCRIPTION                   | QTY |
|-----|-------------|-------------------------------|-----|
| 1   | 81214001000 | HEAD LIGHT                    | 1   |
| 2   | 54814001050 | RUBBER CAP FOR HEAD LIGHT 05  | 1   |
| 3   | 44111038000 | BILUX-BULB 12V 35/35W BA20D   | 1   |
| 4   | 0081050181  | SCREW FOR PLASTIC K50X18 T20  | 3   |
| 5   | 0912050353  | AH SCREW DIN912 M5X35         | 1   |
| 6   | 81208008000 | DIST. HOSE F. HEAD LIGHT MASK | 1   |
| 7   | 49011435100 | BULB 12V 5W (W2,1X9,5D) PHIL. | 1   |
| 8   | 54811001050 | CABLE FOR HEAD LIGHT 2005     | 1   |
| 9   | 81208003010 | INSERT FOR HEAD LIGHT SUPPORT | 1   |
| 10  | 76514040000 | REAR LIGHT                    | 1   |
| 11  | 0017060253  | EJOT PT SCREW K60X25-Z SW=6   | 2   |

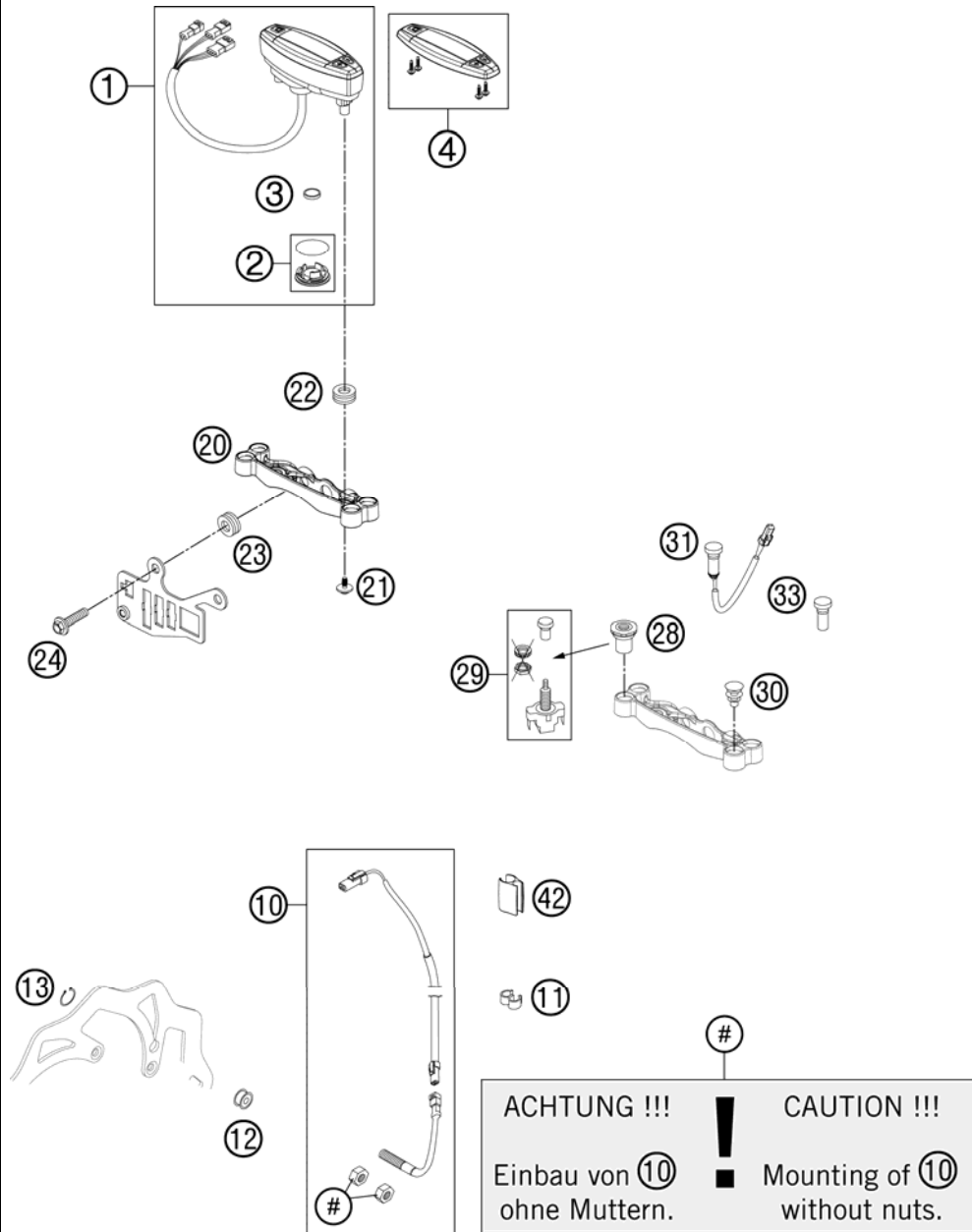
138131411 / C138131411

\* NEW PART

X AS REQUIRED







| FIG | PART NUMBER | DESCRIPTION  | QTY |
|-----|-------------|--|-----|
| 1   | 54814069100 | SPEEDOMETER MPH F. 21" 2005 REPROGRAMMABLE: MPH - KM/H | 1   |
| 2   | 54814069010 | BATTERY COVER F. SPEEDOM. 2005                         | 1   |
| 3   | 58314068000 | BATTERY F. SPEEDOM. M.A.E. 02                          | 1   |
| 4   | 54814069020 | SPEEDOMETER TOP PART 05                                | 1   |
| 10  | 54814068100 | CABLE FOR DIGITAL SPEEDOM. 06                          | 1   |
| 11  | 60111094000 | CLAMP 5/7 MM 06  | 2   |
| 12  | 54814069050 | MAGNET FOR DIGITAL SPEEDOM. 03                         | 1   |
| 13  | 0471009104  | CIRCLIP DIN0471- 9X1 INOX                              | 1   |
| 20  | 81214060000 | SPEEDOMETER BRACKET                                    | 1   |
| 21  | 0081645121  | EJOT DELTA PT SCREW 45X12-Z                            | 2   |
| 22  | 58214069051 | RUBBER GROMMET 16X10,8X3 02                            | 2   |
| 23  | 31008060000 | RUBBER SLEEVE D=8MM OPEN                               | 2   |
| 24  | 0024060256  | HH COLLAR SCREW M6X25 TX30                             | 2   |
| 25  | 59030060050 | BUSHING F. SPROCKET COVER RAC.                         | 2   |
| 28  | 54814060050 | SPEC. NUT F. PULL SWITCH WS=17                         | 1   |
| 29  | 55011599000 | PULL SWITCH LOOSE                                      | 1   |
| 30  | 50210086000 | COVERING CAP SFL16                                     | 1   |
| 31  | 81214083000 | INDICATOR LIGHT LED YELLOW FI                          | 1   |
| 33  | 81214086000 | INDICATOR LIGHT RESERVE                                | 1   |
| 42  | 54813026000 | CABLE SUPPORT 10/6MM 06                                | 2   |

127741430 / C138131433

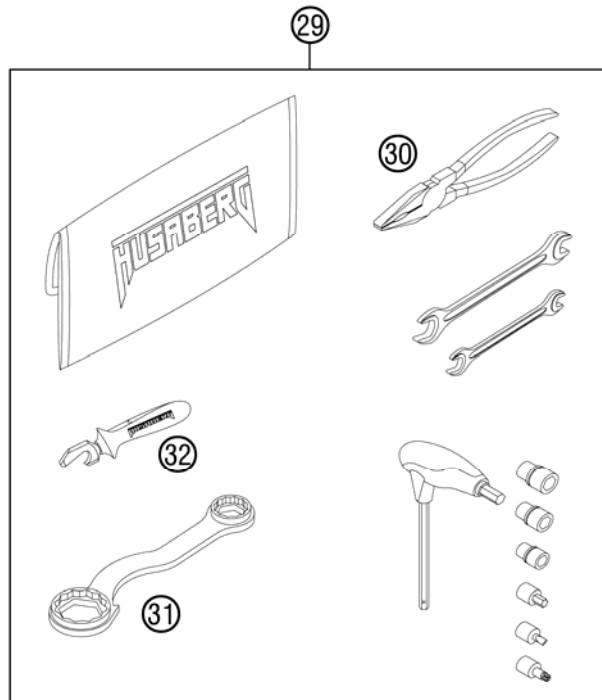
\* NEW PART

X AS REQUIRED



①  
OHNE ABBILDUNG  
WITHOUT ILLUSTRATION

①  
TECHNISCHE DOKUMENTATION  
TECHNICAL DOCUMENTATION  
DOCUMENTACION TECNICA  
DOCUMENTATION TECHNIQUE  
NOTE TECNICHE



| FIG | PART NUMBER   | DESCRIPTION                    | QTY |
|-----|---------------|--------------------------------|-----|
| 0   | 00062030019   | AIR FILTER OIL 100ML           | 1   |
| 0   | 00063004202   | PRINT LABEL 60X51 MM           | 2   |
| 0   | 0025050126    | HH COLLAR SCREW M5X12 TX30     | 2   |
| 0   | 52000115      | STICKER FRONT FORK-SET WP"4CS" | 1   |
| 0   | 58411098100   | CONTACT WASHER M6 VSV-K6       | 2   |
| 0   | 58511053000   | BATTERY 12V 4AH YTX5L-BS       | 1   |
| 0   | 77229072000   | SPARK PLUG WRENCH              | 1   |
| 0   | 77503190000   | SKID PLATE CPL.                | 1   |
| 0   | 78003040033   | FOOTREST L/S + R/S CPL. 09     | 1   |
| 0   | 7810297910028 | HANDGUARD MX CPL. WHITE        | 1   |
| 0   | 81202002144   | BAR PAD CPL.                   | 1   |
| 0   | 81211096000   | DUMMY PLUG AN 4-PIN            | 1   |
| 0   | 81212002000   | BAG HUSABERG                   | 1   |
| 0   | 81212016100   | WASH CAP SET                   | 1   |
| 0   | H38090110     | HUSABERG BALLPOINT PEN         | 1   |
| 1   | 3802034EN     | OWNERS MANUAL 350 FE 2013      | 1   |
| 29  | 81229099000   | TOOL SET 2009                  | 1   |
| 30  | 53012028200   | GRIP ORANGE B&F                | 1   |
| 31  | 50329080100   | WRENCH SW=17/21/27/32 B&F      | 1   |
| 32  | 81229071000   | OPENER HUSABERG                | 1   |

118122001 / C138132008

\* NEW PART

X AS REQUIRED





HUSABERG – a company of the KTM Group  
A-5230 Mattighofen  
[www.husaberg.cc](http://www.husaberg.cc)

KTM Group Partner



3CFF2275M3EN



Art.Nr.: 3CFF2275M3EN 8/2012

# HUSABERG FE 350 USA 2013

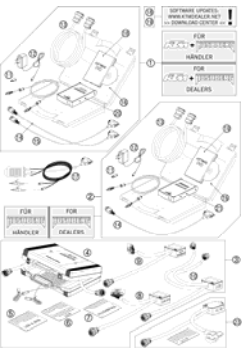
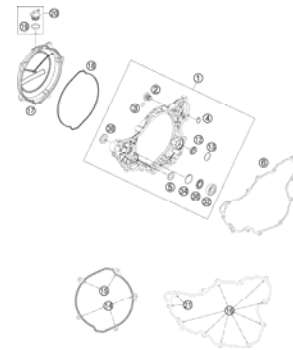
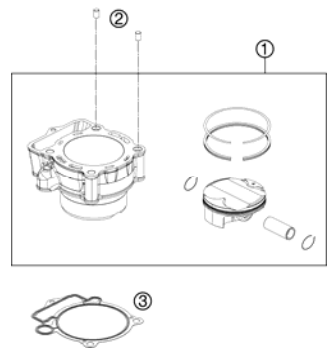
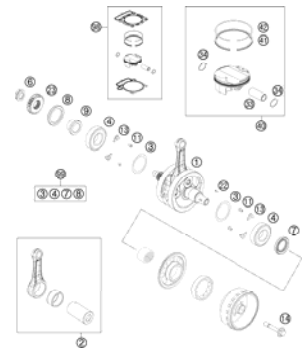
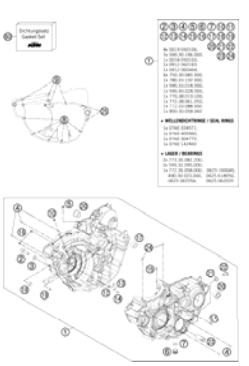
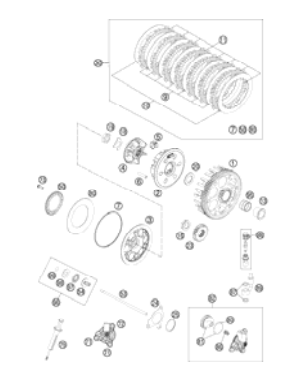
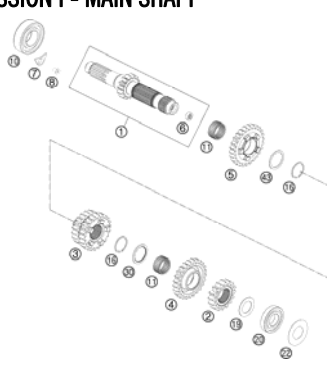
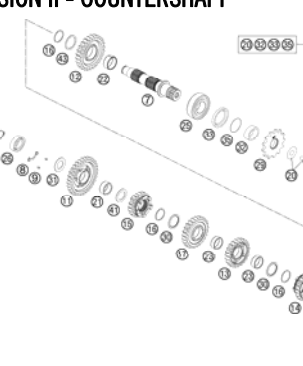
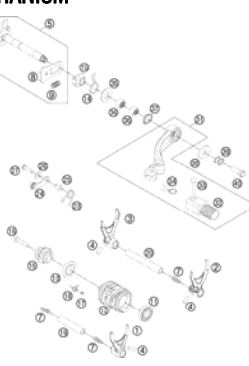
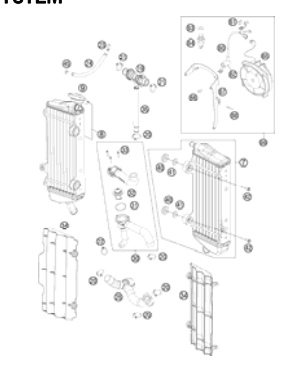
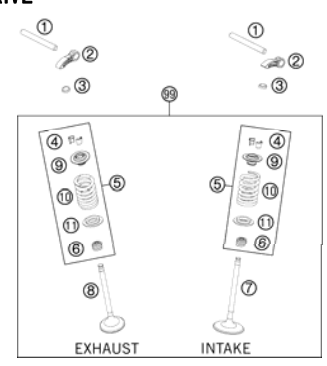
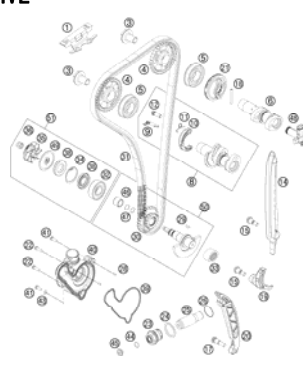
SPARE PARTS MANUAL: ENGINE

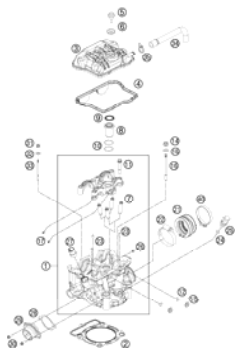
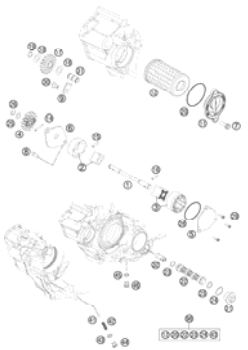

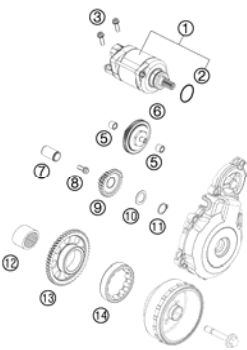
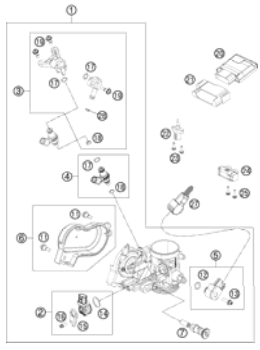
ART.NO.: 3CM089391MEN

ENGLISH

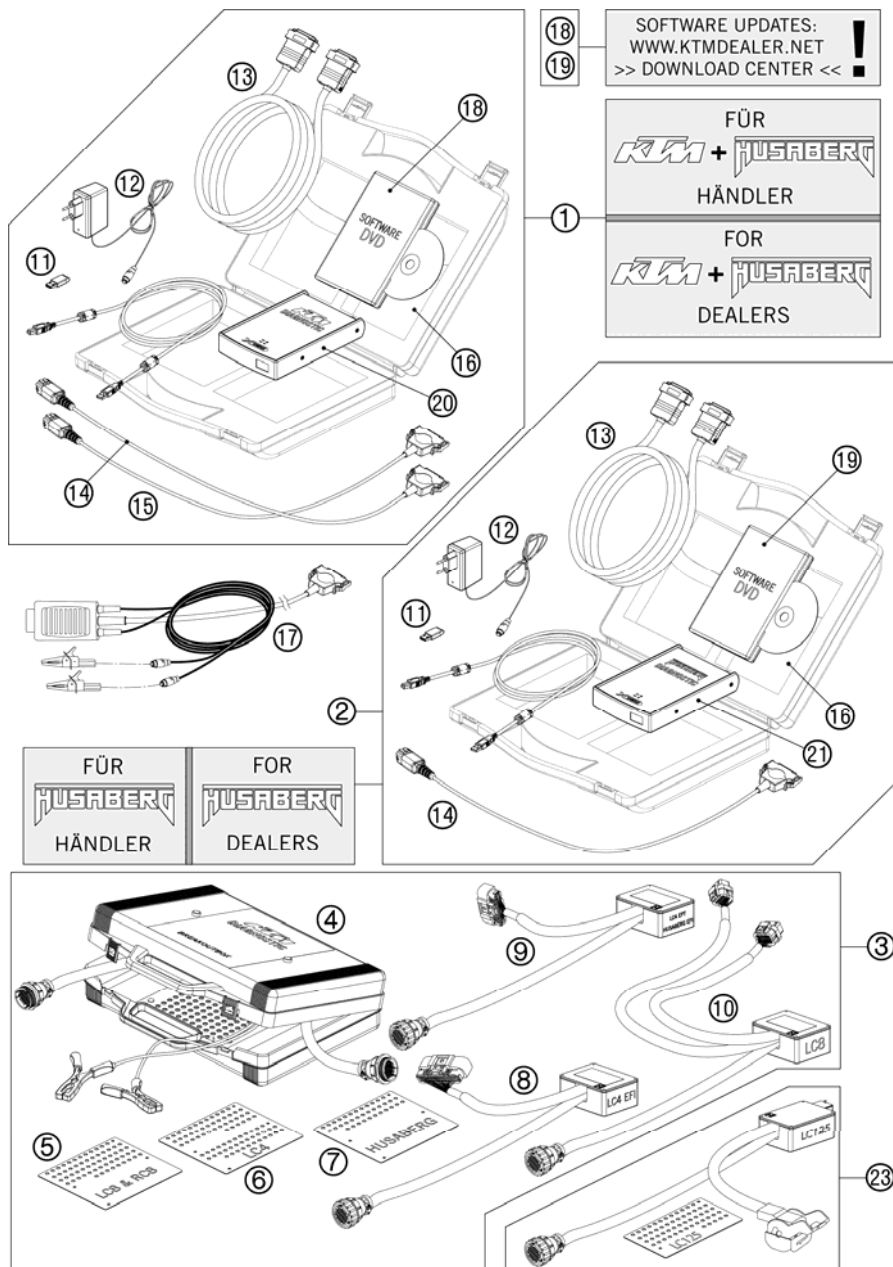
**HUSABERG**



|   |   |  |   |
|---|---|--|---|
| <p><b>DIAGNOSTIC TOOL</b></p>  <p><b>3</b></p>       | <p><b>CLUTCH COVER</b></p>  <p><b>4</b></p>      | <p><b>CYLINDER</b></p>  <p><b>5</b></p>                             | <p><b>CRANKSHAFT, PISTON</b></p>  <p><b>6</b></p>              |
| <p><b>ENGINE CASE</b></p>  <p><b>7</b></p>           | <p><b>CLUTCH</b></p>  <p><b>8</b></p>            | <p><b>TRANSMISSION I - MAIN SHAFT</b></p>  <p><b>10</b></p>         | <p><b>TRANSMISSION II - COUNTERSHAFT</b></p>  <p><b>11</b></p> |
| <p><b>SHIFTING MECHANISM</b></p>  <p><b>12</b></p> | <p><b>COOLING SYSTEM</b></p>  <p><b>13</b></p> | <p><b>VALVE DRIVE</b></p>  <p>EXHAUST INTAKE</p> <p><b>14</b></p> | <p><b>TIMING DRIVE</b></p>  <p><b>15</b></p>                 |

|  |   |  |   |
|--|---|--|---|
| <p>CYLINDER HEAD</p>  <p style="text-align: right;"><b>17</b></p> | <p>LUBRICATING SYSTEM</p>  <p style="text-align: right;"><b>18</b></p>   | <p>IGNITION SYSTEM</p>  <p style="text-align: right;"><b>20</b></p> | <p>ELECTRIC STARTER</p>  <p style="text-align: right;"><b>21</b></p> |
| <p>THROTTLE BODY</p>  <p style="text-align: right;"><b>22</b></p> | <div style="display: flex; align-items: center;"> <div style="background-color: #cccccc; width: 60px; height: 60px; display: flex; align-items: center; justify-content: center; margin-right: 20px;"> <span style="font-size: 48px; font-weight: bold;">!</span> </div> <div> <p>All information contained is without obligation. KTM-Sportmotorcycle AG particularly reserves the right to modify any equipment, technical specifications, prices, colors, shapes, materials, services, service work, constructions, equipment and the like so as to adapt them to local conditions or to cancel any of the above items, all without previous announcement and without giving reasons. KTM may stop manufacturing certain models without previous notice. KTM shall not be held liable for any deviations of availability and/or ability to deliver, illustrations, descriptions, printing and/or other errors. The illustrated models partly contain extra equipment, which is not applied to standard models. © by KTM-SPORTMOTORCYCLE AG, Mattighofen AUSTRIA; All rights reserved; Reprint, also in extracts, with written allowance of KTM-SPORTMOTORCYCLE AG, Mattighofen only.</p> </div> </div> |  |   |





| FIG | PART NUMBER | DESCRIPTION                                   | QTY |
|-----|-------------|---|-----|
| 1   | 00029096200 | DIAGNOSTIC TOOL HUSABERG/KTM                  | 1   |
| 2   | 00029096000 | DIAGNOSTIC TOOL HUSABERG                      | 1   |
| 3   | 00029095000 | BREAKOUT-BOX KPL.                             | 1   |
| 4   | 00029095001 | BREAKOUT-BOX                                  | 1   |
| 5   | 00029095005 | TEMPLATE LC8 / RC8                            | 1   |
| 6   | 00029095006 | TEMPLATE LC4                                  | 1   |
| 7   | 00029095007 | TEMPLATE HUSABERG                             | 1   |
| 8   | 00029095003 | ADAPTER LC4 EFI                               | 1   |
| 8   | 00029095010 | ADAPTER LC4 KHRS<br>FOR 690 DUKE FROM MY 2012 | 1   |
| 9   | 00029095004 | ADAPTER LC4 EPT/HUSABERG EFI                  | 1   |
| 10  | 00029095002 | ADAPTER LC8                                   | 1   |
| 11  | 00029096006 | DIAGNOSTIC HASP DONGLE XC1                    | 2   |
| 12  | 00029096003 | POWERSUPPLY 220V/12V FOR AVL                  | 2   |
| 13  | 00029096002 | EXTENSION CABLE                               | 2   |
| 14  | 00029096001 | DIAGNOSTIC CABLE HUSABERG                     | 2   |
| 15  | 00029096009 | DIAGNOSTIC CABLE KTM                          | 1   |
| 16  | 00029096004 | CASE FOR DIAGNOSTIC-TOOL                      | 1   |
| 17  | 00029096010 | DIAGN. CABLE EXT. POWER SUPPLY                | 1   |
| 18  | 00029096007 | DVD KTM XC-1 UPDATE V2.0                      | 1   |
| 19  | 00029096008 | BASIC SOFTWARE DVD HUSABERG                   | 1   |
| 20  | 00029096011 | FRAME XC_1 SCANBOX KTM                        | 1   |
| 21  | 00029096012 | FRAME XC_1 SCANBOX HUSABERG                   | 1   |
| 23  | 00029095009 | ADAPTER LC125                                 | 1   |

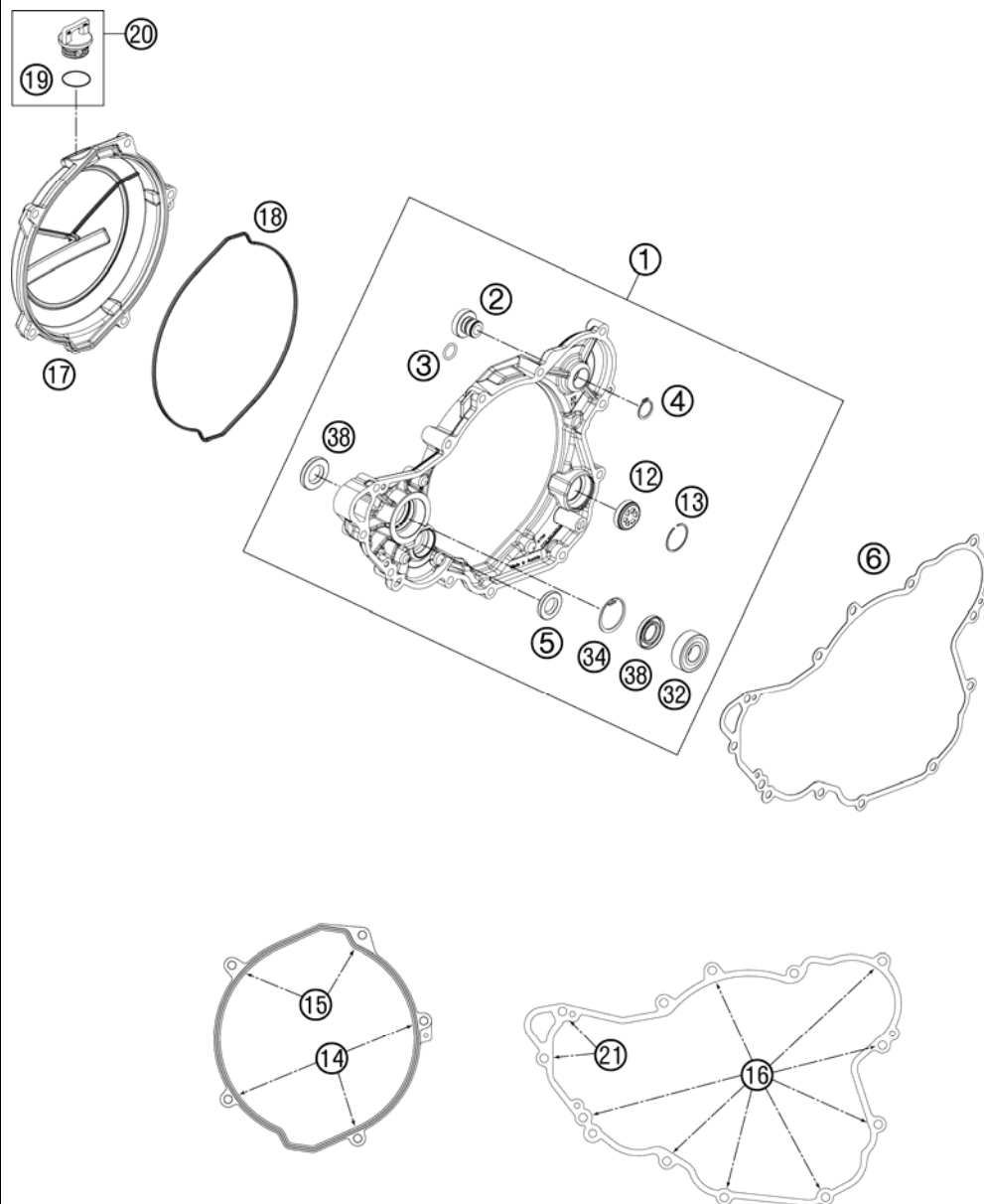
100002920 / C100002920

\* NEW PART

X AS REQUIRED

# CLUTCH COVER

HUSABERG FE 350 USA 2013



| FIG | PART NUMBER   | DESCRIPTION                    | QTY |
|-----|---------------|--------------------------------|-----|
| 1   | 77230001044   | CLUTCH COVER CPL.              | 1   |
| 2   | 77230001010   | PLUG STARTING LEVER            | 1   |
| 3   | 0770140200    | O-RING 14,00X2,00              | 1   |
| 4   | 0471170010    | CIRCLIP DIN0471-17X1           | 1   |
| 5   | 0760142460    | SHAFT SEAL RING 14X24X6 B      | 1   |
| 6   | 77230025000   | CLUTCH COVER GASKET            | 1   |
| 12  | 59030019100   | OIL LEVEL GLASS                | 1   |
| 13  | 61030019050   | CIRCLIP OIL LEVEL GLASS 03     | 1   |
| 14  | 0025060206    | HH COLLAR SCREW M6X20 TX30     | 3   |
| 15  | 0025060456    | HH COLLAR SCREW M6X45 TX30     | 2   |
| 16  | 0025060256    | HH COLLAR SCREW M6X25 TX30     | 8   |
| 17  | 7723012600089 | OUTER CLUTCH COVER HUSABERG    | 1   |
| 18  | 77230027000   | GASKET FOR OUTER CLUTCH COVER  | 1   |
| 19  | 0770191015    | O-RING 19,00X3,00 NBR          | 1   |
| 20  | 58030120000   | OIL FILLER CAP M24x3 WITH O-R  | 1   |
| 21  | 0025060406    | HH COLLAR SCREW M6X40 TX30     | 2   |
| 32  | 0625062022    | BALL BEARING 6202 C0 2         | 1   |
| 34  | 0472300120    | CIRCLIP 30X1,2                 | 1   |
| 38  | 07601530451   | SHAFT SEAL RING 15X30X4.5 BAUD | 2   |

127753020 / C137753021

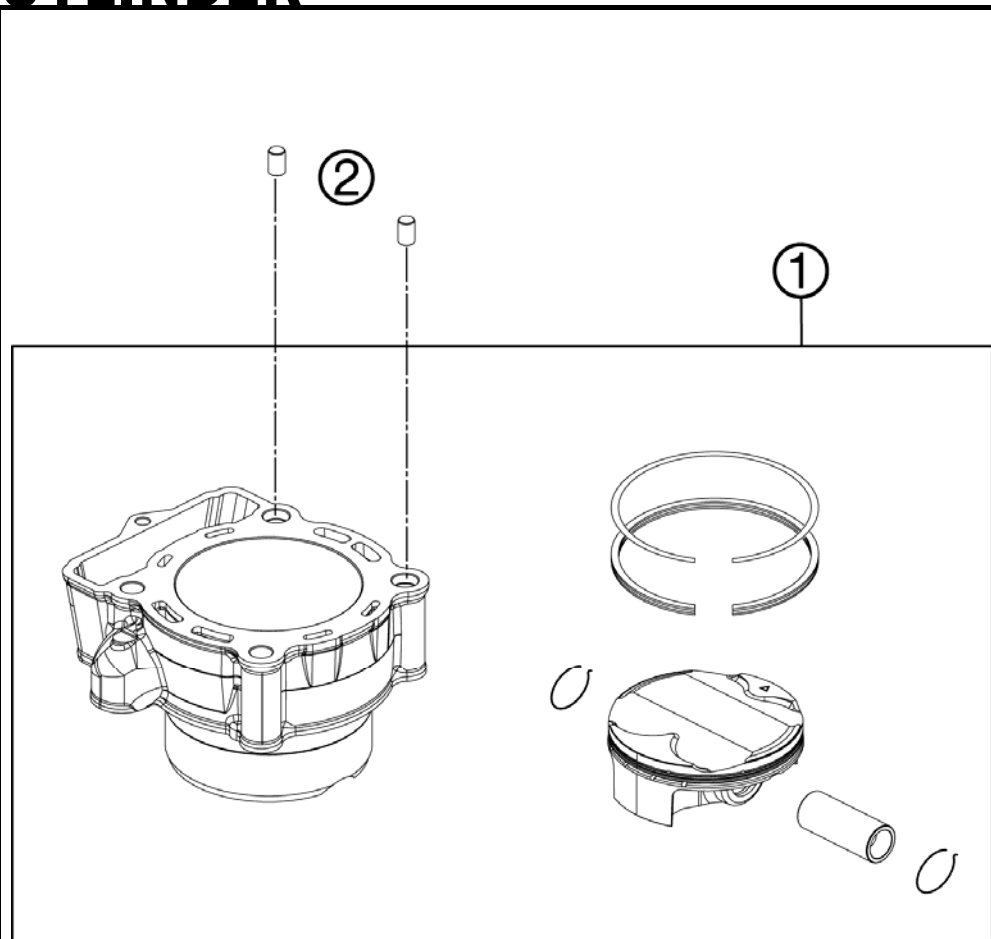
\* NEW PART

X AS REQUIRED

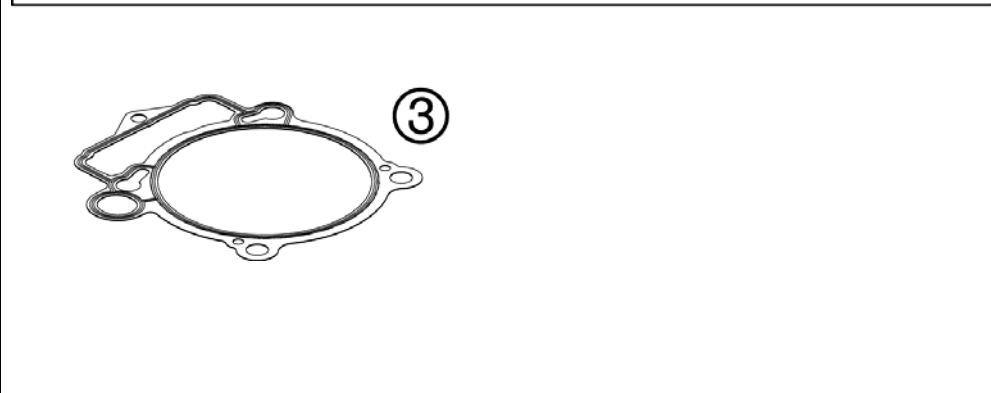


# CYLINDER

HUSABERG FE 350 USA 2013



| FIG | PART NUMBER | DESCRIPTION                | QTY |
|-----|-------------|----------------------------|-----|
| 1   | 77530038000 | CYLINDER + PISTON CPL.     | 1   |
| 2   | 58530014100 | DOWEL BUSHING 10,2X12,5X10 | 2   |
| 3   | 77230035000 | CYLINDER BASE GASKET       | 1   |



117723040 / C137753040

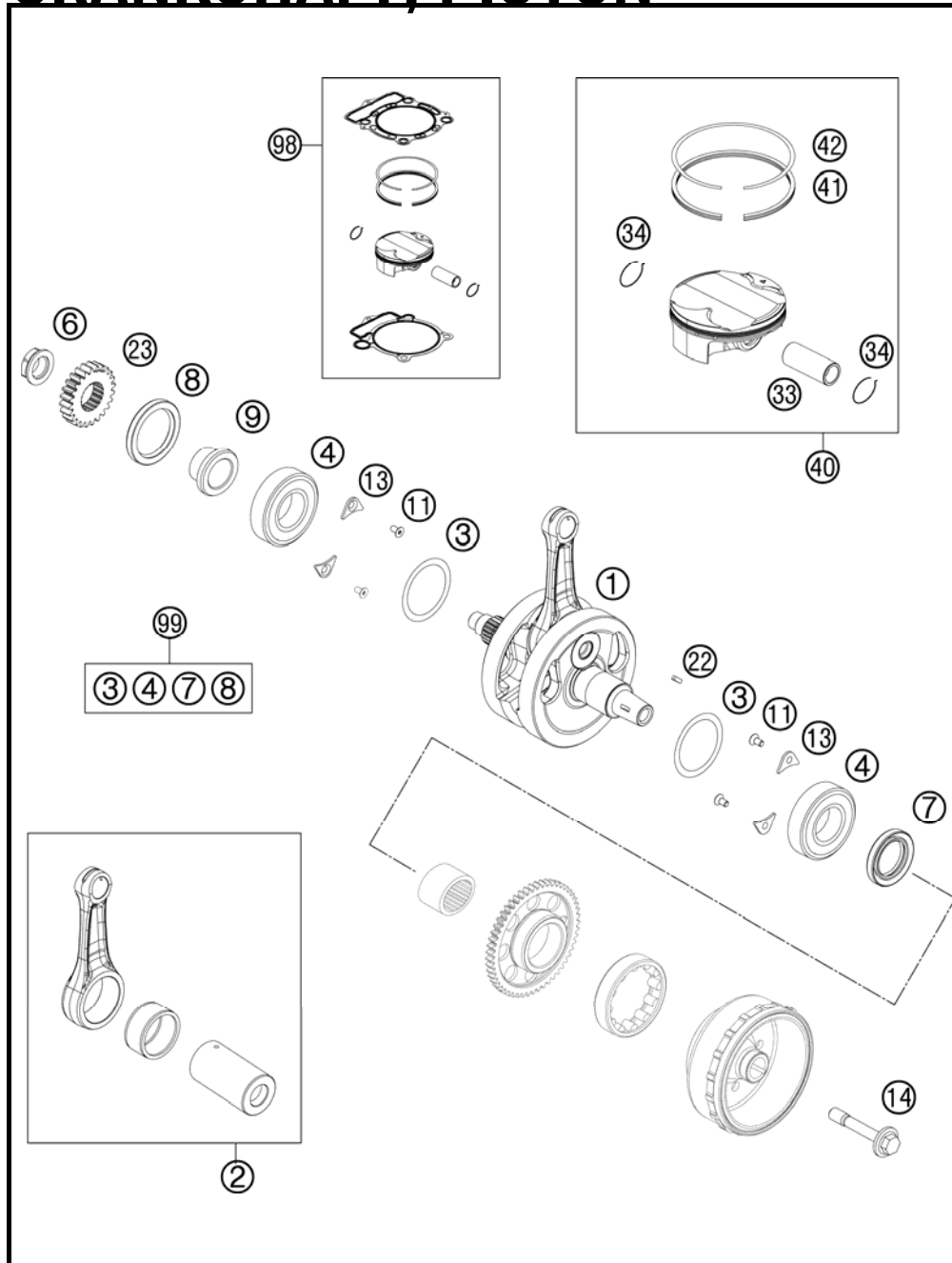
\* NEW PART

X AS REQUIRED



# CRANKSHAFT, PISTON

HUSABERG FE 350 USA 2013



| FIG | PART NUMBER    | DESCRIPTION                    | QTY |
|-----|----------------|--------------------------------|-----|
| 1   | 77530018000    | CRANKSHAFT CPL.                | 1   |
| 2   | 77230115044    | CONNECTING ROD REPAIR SET      | 1   |
| 3   | 56030081000    | THRUST WASHER 30,5X45X0,10     | x   |
| 3   | 56030081100    | THRUST WASHER 30,7X47X0,15     | x   |
| 3   | 56030081200    | THRUST WASHER 30,5X45X0,30     | x   |
| 4   | 77330082200    | BEARING NJ 206 ECP/HN3C4HVA624 | 2   |
| 6   | 77230029000    | NUT PRIMARY WHEEL              | 1   |
| 7   | 0760304772     | SH.SEAL RING 30X47X7 BSL VITON | 1   |
| 8   | 0760405560     | SHAFT SEAL RING A40x55x6 VITON | 1   |
| 9   | 77232022000    | SPACER BUSHING PRIMARY GEAR    | 1   |
| 11  | 0019050106     | INT. TORX FLAT HEAD M5X10 10.9 | 4   |
| 13  | 75030085000    | RETAINING PLATE F. CS BEARING  | 4   |
| 14  | 77339010100    | FLYWHEEL SCREW                 | 1   |
| 22  | 0888030037     | WOODRUFF KEY DIN6888-3X3,7     | 1   |
| 23  | 77232023024    | PRIMARY GEAR 24T.              | 1   |
| 33  | 77230133000    | PISTON PIN 350                 | 1   |
| 34  | 77230174000    | CIRCLIP                        | 2   |
| 40  | 77530107100 I  | PISTON I CPL. 350              | x   |
| 40  | 77530107100 II | PISTON II CPL. 350             | x   |
| 41  | 77230032100    | SCRAPER RING 350               | 1   |
| 42  | 77230030000    | COMPRESSIONRING 350            | 1   |
| 98  | 00050000200    | PISTON KIT GR.I 350 EXC-F 12   | x   |
| 98  | 00050000201    | PISTON KIT GR.II 350 EXC-F 12  | x   |
| 99  | 00050002303    | CRANKSHAFT REP. KIT 350SX-F    | x   |

127753060 / C137753060

\* NEW PART

X AS REQUIRED





60

1

- ② ③ ④ ⑤ ⑥ ⑦ ⑩ ⑪
- ⑫ ⑬ ⑭ ⑮ ⑯ ⑰ ⑱ ⑲
- ⑳ ㉑ ㉒
- ㉓ ㉔

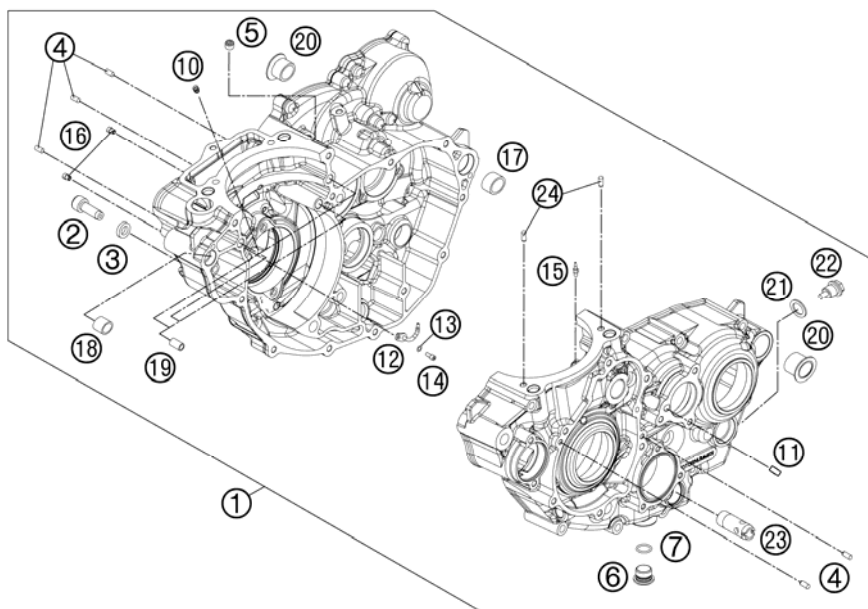
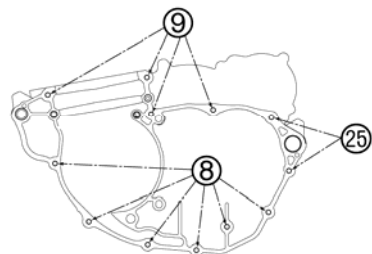
- 8x 0019 050106,
- 5x 590.30.196.000,
- 1x 0018 050103,
- 1x 0912 060163
- 1x 0912 060404,
- 6x 750.30.085.000,
- 1x 780.33.132.000,
- 1x 590.33.018.000,
- 1x 590.40.028.000,
- 1x 770.38.013.100,
- 1x 772.38.061.050,
- 1x 772.33.088.000,
- 1x 800.30.058.060

**+ WELLENDICHTRINGE / SEAL RINGS**

- 1x 0760 324571,
- 1x 0760 405560,
- 1x 0760 304772,
- 1x 0760 142460

**+ LAGER / BEARINGS**

- 2x 773.30.082.200,
- 2x 546.32.095.000,
- 1x 772.30.058.000, 0625 160040,
- 490.30.023.000, 0625 618050,
- 0625 062054, 0625 062035



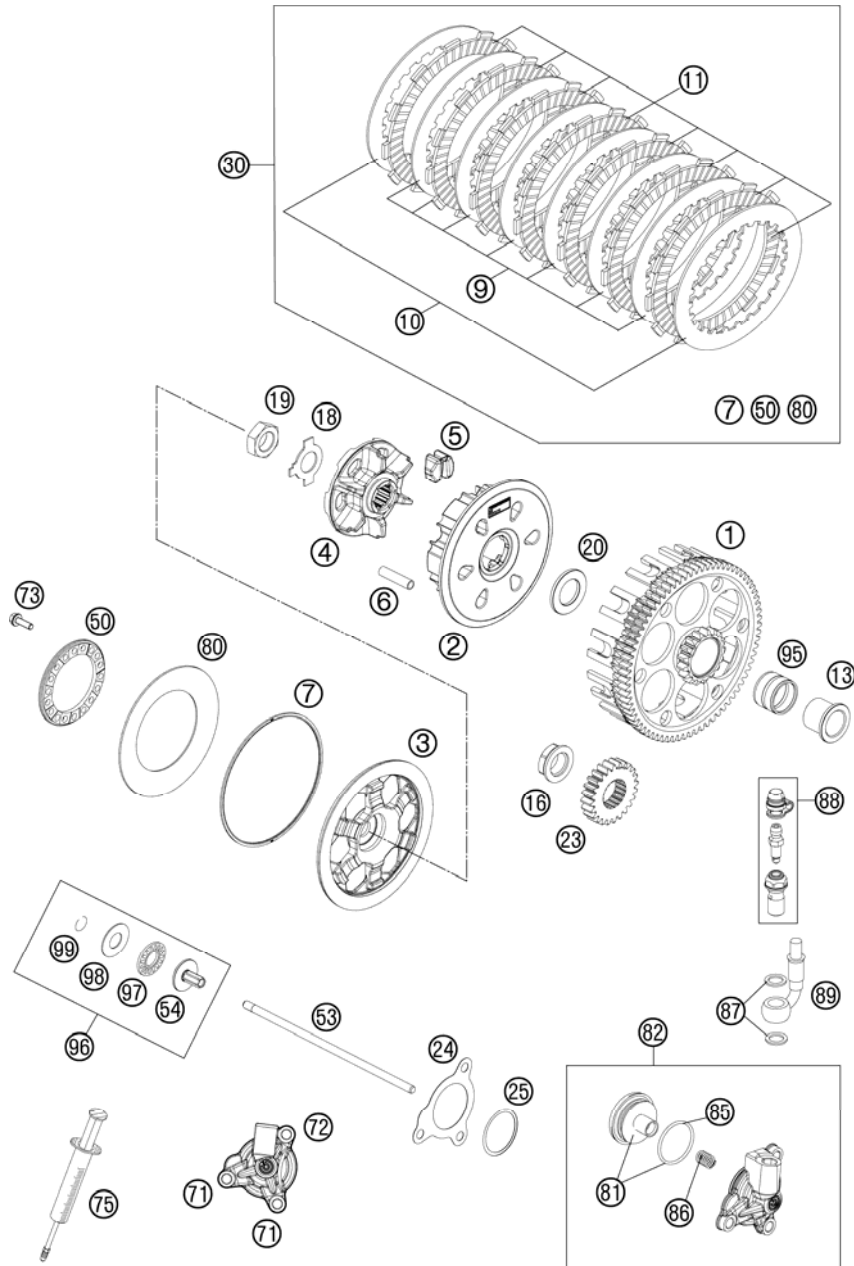
| FIG | PART NUMBER | DESCRIPTION                    | QTY |
|-----|-------------|--------------------------------|-----|
| 1   | 77730000044 | ENGINE CASE CPL.               | 1   |
| 2   | 58030080000 | LOCATING SCREW M8 L=23         | 1   |
| 3   | 58030081000 | CU-SEAL RING 8 X 14 X 3        | 1   |
| 4   | 0402040980  | NEEDLE ROL.DIN5402 NRB 4X9,8   | 5   |
| 5   | 0906100100  | PLUG DIN0906-M10X1             | 1   |
| 6   | 78036081000 | HOLDING BOLT M14X1,5           | 1   |
| 7   | 0770110015  | O-RING 1,5x11 SILICON          | 1   |
| 8   | 0025060556  | HH COLLAR SCREW M6X55 TX30     | 6   |
| 9   | 0025060656  | HH COLLAR SCREW M6X65 TX30     | 4   |
| 10  | 80030058060 | OIL JET "60" M4                | 1   |
| 11  | 77230066000 | THROTTLE M5X10X0,5             | 1   |
| 12  | 81230064050 | OIL JET CURVED SIZE 50         | 1   |
| 13  | 0770035020  | O-RING 3,5X2,00 NBR            | 1   |
| 14  | 0912040103  | AH.SCREW DIN0912-M 4X10        | 1   |
| 15  | 60030063050 | OIL JET 50 05                  | 1   |
| 16  | 59030058000 | JET 100 BING(44-031/180) M4    | 2   |
| 17  | 59030024000 | DOWEL 17 X 19 X 12             | 1   |
| 18  | 54630027000 | DOWEL BUSHING 13,8X11X12       | 1   |
| 19  | 59030023000 | DOWEL 6X8X11,5                 | 3   |
| 20  | 75030010100 | CASE BUSH                      | 2   |
| 21  | 58038022000 | CU-SEAL RING DIN7603-12X18X1,5 | 1   |
| 22  | 58030021000 | OILDRAIN PLUG W.MAG. M 12X1,5  | 1   |
| 23  | 77038022000 | OIL INTAKEPIPE                 | 1   |
| 24  | 0402050080  | CYLINDER ROLLER ZRO 5X8        | 2   |
| 25  | 0025060856  | HH COLLAR SCREW M6X85 TX30     | 2   |
| 60  | 77230099000 | GASKET SET 350 SX-F            | 1   |

137753010 / C138133010

\* NEW PART

X AS REQUIRED





| FIG | PART NUMBER | DESCRIPTION                    | QTY |
|-----|-------------|--------------------------------|-----|
| 1   | 77232001073 | OUTER CLUTCH CPL.              | 1   |
| 2   | 78132002008 | INNER CLUTCH HUB               | 1   |
| 3   | 78132003000 | PRESSURE PLATE                 | 1   |
| 4   | 78132002111 | HUB                            | 1   |
| 5   | 78132025100 | DAMPING RUBBER                 | 6   |
| 6   | 78132004000 | SLEEVE 7,5X33.4                | 6   |
| 7   | 78132013000 | WASHER 112X118X1.5             | 1   |
| 9   | 59032010200 | INTERMEDIATE DISC 1,4MM 2002   | 7   |
| 10  | 59032010100 | INTERMEDIATE DISC 1MM 2002     | 2   |
| 11  | 59032011100 | LINING DISC 2MM 04             | 8   |
| 13  | 77232015000 | INNER RING                     | 1   |
| 16  | 77230029000 | NUT PRIMARY WHEEL              | 1   |
| 18  | 56532018000 | LOCK WASHER                    | 1   |
| 19  | 0936181505  | HEXAGON NUT DIN0936-M18X1,5 R. | 1   |
| 20  | 77232009000 | WASHER 21,8 X 37 X 5,1         | 1   |
| 23  | 77232023024 | PRIMARY GEAR 24T.              | 1   |
| 24  | 77232062000 | GASKET F. OUTPUT CYLINDER      | 1   |
| 25  | 0770300015  | O-RING 30,00X1,50 NBR 70       | 1   |
| 30  | 78132010110 | CLUTCH KIT 350 EXC-F 12        | 1   |
| 50  | 78132006100 | SPRING RING                    | 1   |
| 53  | 77232054000 | PUSH ROD                       | 1   |
| 54  | 78032057000 | PRESSURE PIECE                 | 1   |
| 71  | 0025060166  | HH COLLAR SCREW M6X16 TX30     | 2   |
| 72  | 0025060356  | HH COLLAR SCREW M6X35 TX30     | 1   |
| 73  | 0025050166  | HH COLLAR SCREW M5X16 TX30     | 6   |
| 75  | 50329050000 | VENT INJEKTION HYDR. CLUTCH    | 1   |
| 80  | 78132005000 | BELLEVILLE SPRING 71X115X1,5 I | 1   |
| 81  | 77232066000 | PISTON CPL.                    | 1   |
| 82  | 77232061044 | OUTPUT CYLINDER CPL.           | 1   |
| 85  | 54832067000 | O-RING                         | 1   |
| 86  | 54832069000 | PRESSURE SPRING                | 1   |
| 87  | 42013226000 | CU-SEAL RING DIN7603-10X16X1   | 2   |
| 88  | 62513020000 | BLEEDER SCREW CPL. 05          | 1   |
| 89  | 54832063000 | CLUTCH PIPE 06                 | 1   |
| 95  | 56532095000 | NEEDLE BEARING K26X30X22ZW.KSE | 1   |

127753210 / C127753210

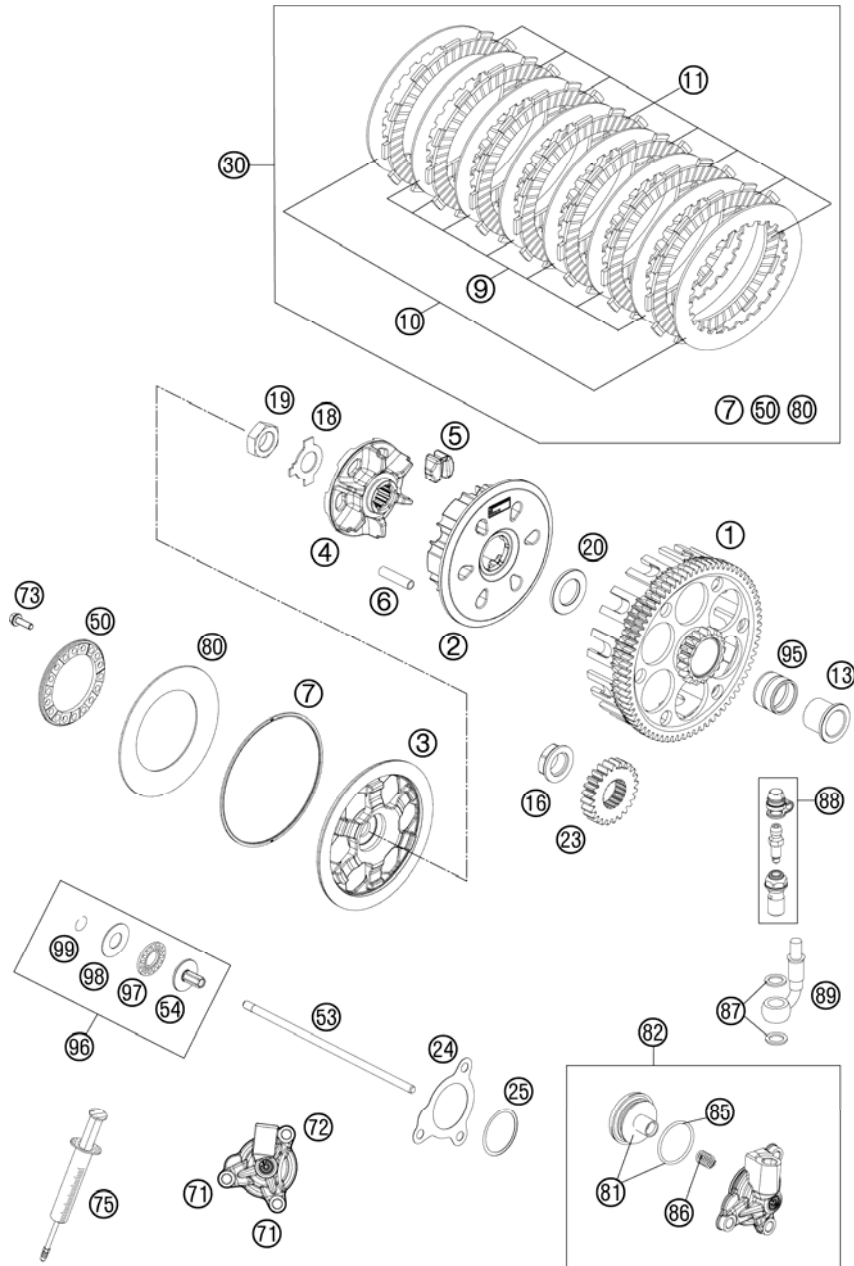
\* NEW PART

X AS REQUIRED



# CLUTCH

HUSABERG FE 350 USA 2013



| FIG | PART NUMBER | DESCRIPTION                   | QTY |
|-----|-------------|-------------------------------|-----|
| 96  | 78032057044 | PRESSURE PIECE CPL. 08        | 1   |
| 97  | 54637097200 | AXIAL NEEDLE BEARING AXK 1226 | 1   |
| 98  | 54637098200 | AXIAL WASHER AS1226 12X26X1   | 1   |
| 99  | 0993012000  | CIRCLIP DIN7993-RW12          | 1   |

127753210 / C127753210

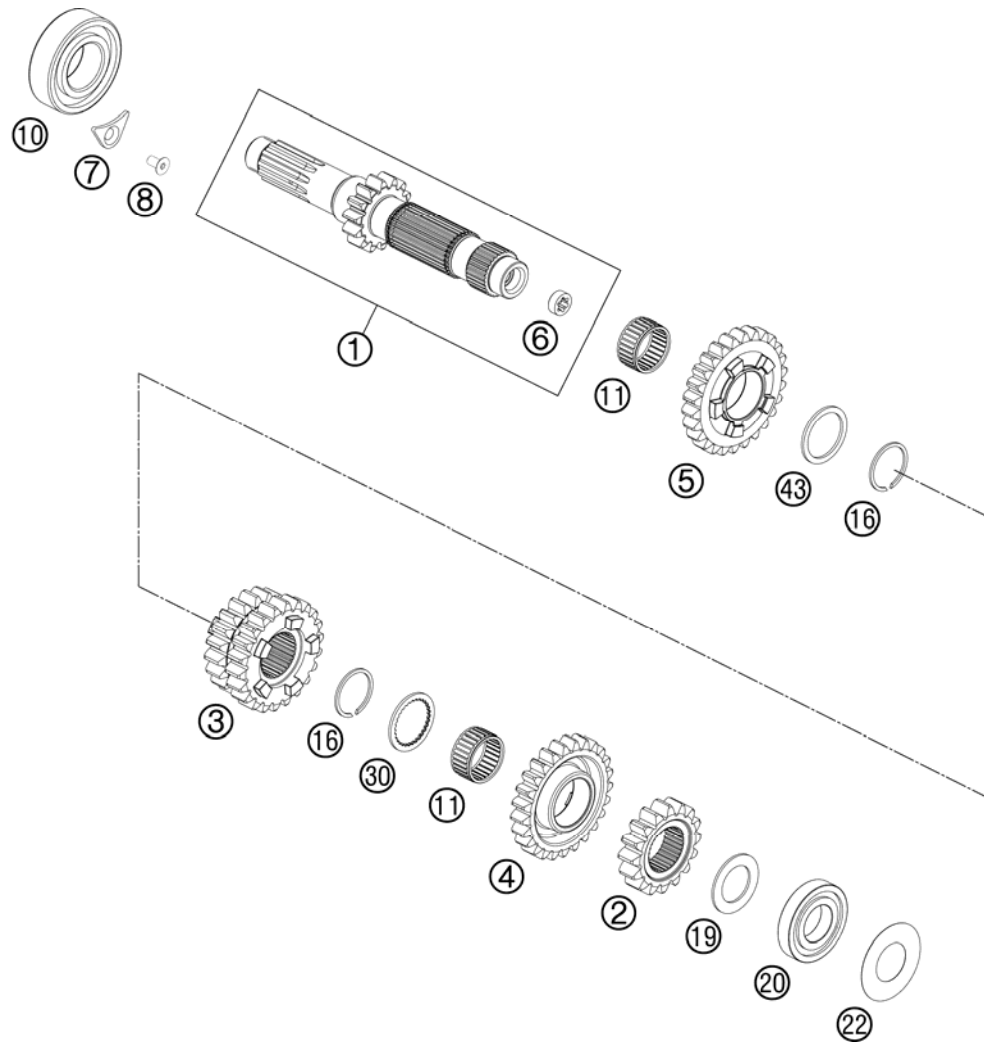
\* NEW PART

X AS REQUIRED



# TRANSMISSION I - MAIN SHAFT

HUSABERG FE 350 USA 2013



| FIG | PART NUMBER | DESCRIPTION                    | QTY |
|-----|-------------|--------------------------------|-----|
| 1   | 77233101000 | MAIN SHAFT CPL. 14 T.          | 1   |
| 2   | 54833202000 | SOLID GEAR                     | 1   |
| 3   | 54833203000 | SLIDING GEAR 3./4.GANG,Z=20/22 | 1   |
| 4   | 54833205000 | IDLER GEAR 5.G, Z =25          | 1   |
| 5   | 54833206000 | IDLER GEAR 6. G, Z=26          | 1   |
| 6   | 78033001110 | BUSHING                        | 1   |
| 7   | 75030085000 | RETAINING PLATE F. CS BEARING  | 1   |
| 8   | 0019050106  | INT. TORX FLAT HEAD M5X10 10.9 | 1   |
| 10  | 0625062054  | BALL BEARING 6205 C3 NTN       | 1   |
| 11  | 0405222613  | NEEDLE BEAR. K 22X26X13 TN     | 2   |
| 16  | 0417024000  | CIRCLIP WS24                   | 2   |
| 19  | 77233015000 | DISK 20,2X32X1,3               | 1   |
| 20  | 0625160040  | GROOVED BALL BEAR. TM 16004 C3 | 1   |
| 22  | 77233088000 | SPACER SHIM 21X42X0.2          | 1   |
| 30  | 54833043000 | STOP DISC 25X0,8X30X30X7H      | 1   |
| 43  | 54833044000 | STOP DISC 25X31X1,5            | 1   |

127753330 / C127753330

\* NEW PART

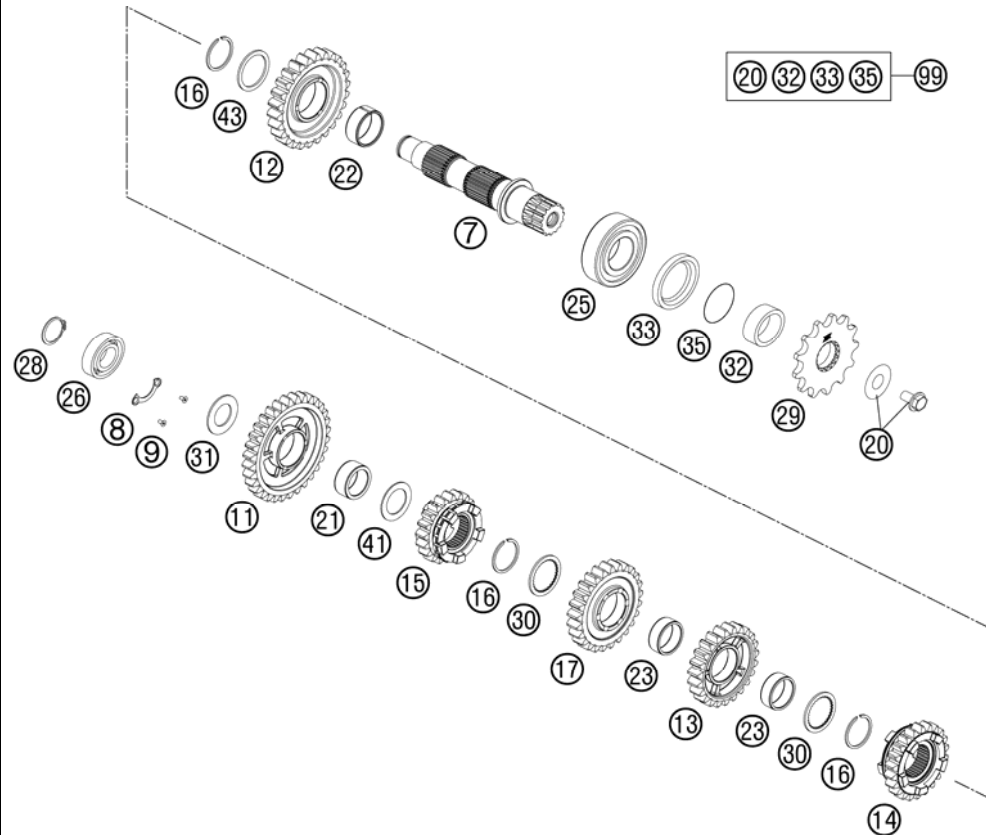
X AS REQUIRED





# TRANSMISSION II - COUNTERSHAFT

HUSABERG FE 350 USA 2013



| FIG | PART NUMBER | DESCRIPTION                    | QTY |
|-----|-------------|--------------------------------|-----|
| 7   | 77233110000 | COUNTERSHAFT                   | 1   |
| 8   | 78033132000 | TAB WASHER BEARING COUNT.SHAFT | 1   |
| 9   | 0019050106  | INT. TORX FLAT HEAD M5X10 10.9 | 2   |
| 11  | 54833211000 | IDLER GEAR 1. G, Z=32          | 1   |
| 12  | 54833212000 | IDLER GEAR 2. G., Z=26         | 1   |
| 13  | 54833214000 | IDLER GEAR 4.G., Z=23          | 1   |
| 14  | 54833215000 | SLIDING GEAR 5.G., Z=22        | 1   |
| 15  | 54833216000 | SLIDING GEAR 6.G., Z=20        | 1   |
| 16  | 0417024000  | CIRCLIP WS24                   | 3   |
| 17  | 54833213000 | IDLER GEAR 3.G., Z= 25         | 1   |
| 20  | 59033034044 | SCREW 10.9+SPRING WASHER       | 1   |
| 21  | 0405202612  | NEEDLE BEARING K 20X26X12      | 1   |
| 22  | 0405242812  | NEEDLE BEAR. K24X28X11,9 DIV.  | 1   |
| 23  | 0405222611  | NEEDLE BEAR.K 22X26X10 DIVIDED | 1   |
| 25  | 49030023000 | CYL.ROLL BEARING NJ205         | 1   |
| 26  | 0625062035  | BALL BEARING 6203 JR2 C3       | 1   |
| 28  | 0471170015  | CIRCLIP DIN 0471-17X1, 5       | 1   |
| 29  | 50033029013 | FRONT SPROCKET 13-T            | 1   |
| 29  | 50033029014 | FRONT SPROCKET 14-T            | x   |
| 30  | 54833043000 | STOP DISC 25X0,8X30X30X7H      | 2   |
| 31  | 77233020000 | STOP DISK 17,2X30X1,3          | 1   |
| 32  | 54633014100 | SPACER BUSHING 12MM            | 1   |
| 33  | 0760324571  | SHAFT SEAL RING 32X45X7 BSLNBR | 1   |
| 35  | 0770020220  | O-RING 25,12X1,78 NBR70        | 1   |
| 41  | 54833080000 | STOP DISC 20,2X30X1            | 1   |
| 43  | 54833044000 | STOP DISC 25X31X1,5            | 1   |
| 99  | 00050000941 | COUNTER SHAFT REP.KIT 4 STROKE | x   |

127753360 / C137753360

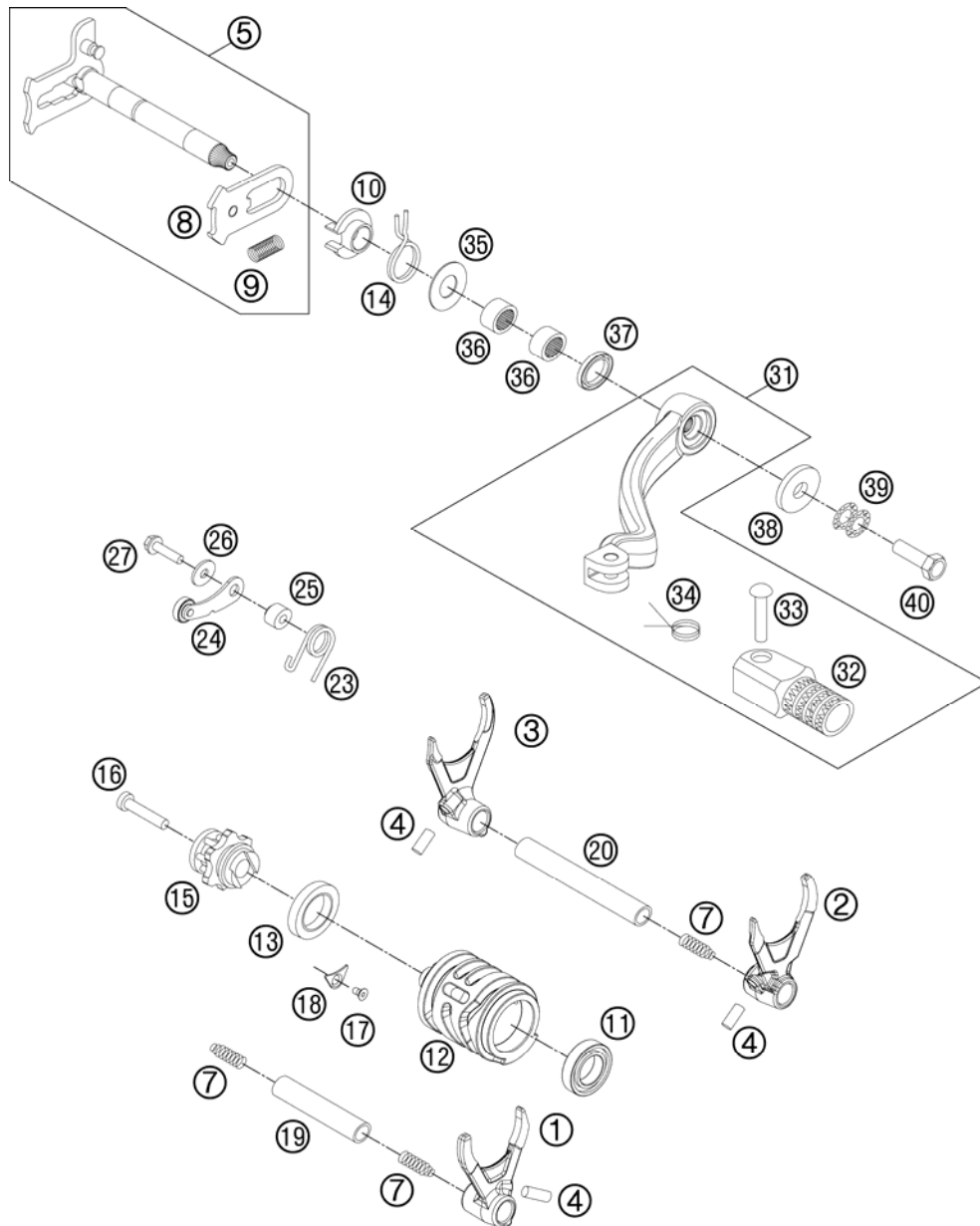
\* NEW PART

X AS REQUIRED



# SHIFTING MECHANISM

HUSABERG FE 350 USA 2013



| FIG | PART NUMBER | DESCRIPTION                    | QTY |
|-----|-------------|--------------------------------|-----|
| 1   | 54834201000 | SHIFT FORK 5./6.G.             | 1   |
| 2   | 54834202000 | SHIFT FORK 2./4.G.             | 1   |
| 3   | 54834203000 | SHIFT FORK 1./3. G.            | 1   |
| 4   | 0402061480  | NEEDLE ROLLER DIN5402 6X14,8   | 3   |
| 5   | 54834005044 | SHIFTING SHAFT CPL. 03         | 1   |
| 7   | 58038023200 | PRESSURE SPRING 0,9MM          | 3   |
| 8   | 54634008044 | SLIDING PLATE CPL.             | 1   |
| 9   | 56534013100 | TENSIONING SPRING 0,8MM        | 1   |
| 10  | 54634020000 | SPRING GUIDE                   | 1   |
| 11  | 0625069034  | BALL BEARING 6903 C4           | 1   |
| 12  | 54834212000 | SHIFTING DRUM                  | 1   |
| 13  | 0625618050  | BALL BEARING 61805 C3          | 1   |
| 14  | 54834014000 | RETURN SPRING 03               | 1   |
| 15  | 77234015000 | SHIFT LOCATING DRUM CPL.       | 1   |
| 16  | 0912060353  | AH SCREW DIN0912-M 6X35        | 1   |
| 17  | 0019050106  | INT. TORX FLAT HEAD M5X10 10.9 | 1   |
| 18  | 75030085000 | RETAINING PLATE F. CS BEARING  | 1   |
| 19  | 54834019000 | SHIFT. RAIL MAIN SHAFT 250/300 | 1   |
| 20  | 54834020000 | SHIFT. RAIL C. SHAFT 250/300   | 1   |
| 23  | 60034023000 | ARRESTING LEVER SPRING 03      | 1   |
| 24  | 50334024144 | LOCATING LEVER CPL. 08         | 1   |
| 25  | 54634052300 | SLEEVE FOR LOCKING LEVER       | 1   |
| 26  | 0021050003  | WASHER DIN9021-A 5,3           | 1   |
| 27  | 0025050206  | HH COLLAR SCREW M5X20 TX30     | 1   |
| 31  | 59034031000 | SHIFT LEVER CPL.RACING 2000    | 1   |
| 32  | 54634131000 | STEP PLATE FOR SHIFT LEVER 250 | 1   |
| 33  | 54634031050 | BOLT 6X25 FOR SHIFT LEVER      | 1   |
| 34  | 54634032100 | SHIFTING LEVER SPRING 250      | 1   |
| 35  | 54634050000 | STOP DISK 14X30X1              | 1   |
| 36  | 54632095000 | NEEDLE BEAR.HK 1412 14X20X12   | 2   |
| 37  | 0760142460  | SHAFT SEAL RING 14X24X6 B      | 1   |
| 38  | 50232050001 | STEEL WASHER 6,4X17X3          | 1   |
| 39  | 50233041000 | PAIR OF WASHERS M 6 NORDLOCK   | 1   |
| 40  | 59009062016 | SPECIAL SCREW M6X16 WS=8 10.9  | 1   |

127753410 / C127753410

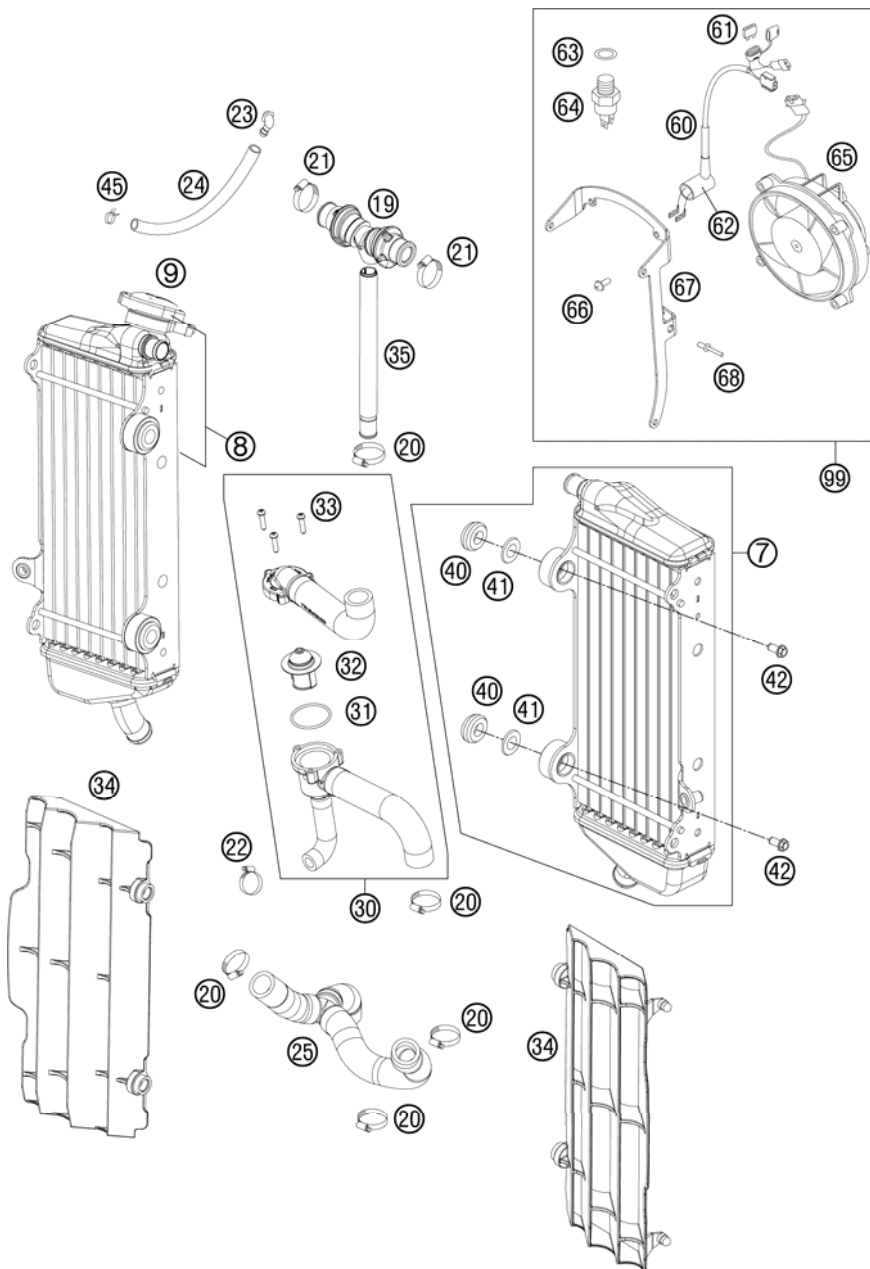
\* NEW PART

X AS REQUIRED



# COOLING SYSTEM

HUSABERG FE 350 USA 2013



| FIG | PART NUMBER   | DESCRIPTION                    | QTY |
|-----|---------------|--------------------------------|-----|
| 7   | 77035007300   | RADIATOR L/S "55623U" 12       | 1   |
| 8   | 78035008200   | RADIATOR R/S "65061U" 12       | 1   |
| 9   | 77335016000   | RADIATOR CAP SMALL 1,8 BAR     | 1   |
| 19  | 77235071044   | Y-CONNECOTOR CPL.              | 1   |
| 20  | 10001020000   | HOSE CLAMP GEMI 16-27          | 5   |
| 21  | 42013037400   | HOSE CLAMP NORMA 12/24         | 2   |
| 22  | 58335099000   | HOSE CLAMP GEMI 10-16          | 1   |
| 23  | 50303089000   | ANGLE PIECE '97                | 1   |
| 24  | 50335030001   | PVC-HOSE 6X9                   | x   |
| 25  | 77235025033   | RADIATOR HOSE CPL.+Y-CONNECT.  | 1   |
| 30  | 77535026033   | RAD.HOSE CPL. W. THERM. '12    | 1   |
| 31  | 0770320020    | O-RING 32,00X2,00              | 1   |
| 32  | 59435017000   | THERMOSTAT 70 DEGREE 04        | 1   |
| 33  | 0016040183    | SCREW FOR PLASTIC D=4X18       | 3   |
| 34  | 7733503400004 | RADIATOR PROTECTION L/S+R/S SX | x   |
| 34  | 7733503400030 | RADIATOR PROTECTION BLACK 07   | 2   |
| 35  | 77235073000   | HOSE CONNECTOR L=172,5         | 1   |
| 40  | 41001052000   | RUBBER SLEEVE D=12MM           | 4   |
| 41  | 77335001000   | WASHER FOR RADIATOR 08         | 4   |
| 42  | 0023060123    | COLLAR SCREW M6X12 TX          | 4   |
| 45  | 59007017000   | CLAMP YDNAC 10096F (9,6MM)     | 1   |
| 60  | 59011079100   | FAN WIRING HARNESS             | 1   |
| 61  | 58011109105   | FUSE 5 A 2003                  | 1   |
| 62  | 58311096000   | PROTECTION CAP THERMOSWITCH    | 1   |
| 63  | 0603142015    | ALU SEALRING DIN7603-14X20X1,5 | 1   |
| 64  | 78035045000   | THERMOSWITCH 95-100 DG         | 1   |
| 65  | 58435041000   | FAN CPL. 12V LC4 2000          | 1   |
| 66  | 0081050181    | SCREW FOR PLASTIC K50X18 T20   | 3   |
| 67  | 81235943000   | FAN SUPPORT                    | 1   |
| 68  | 0011400800    | RIVET 4,0X 8 ALU               | 3   |
| 99  | 81235941044   | FAN KIT COMPLETE               | 1   |

137753531 / C138133530

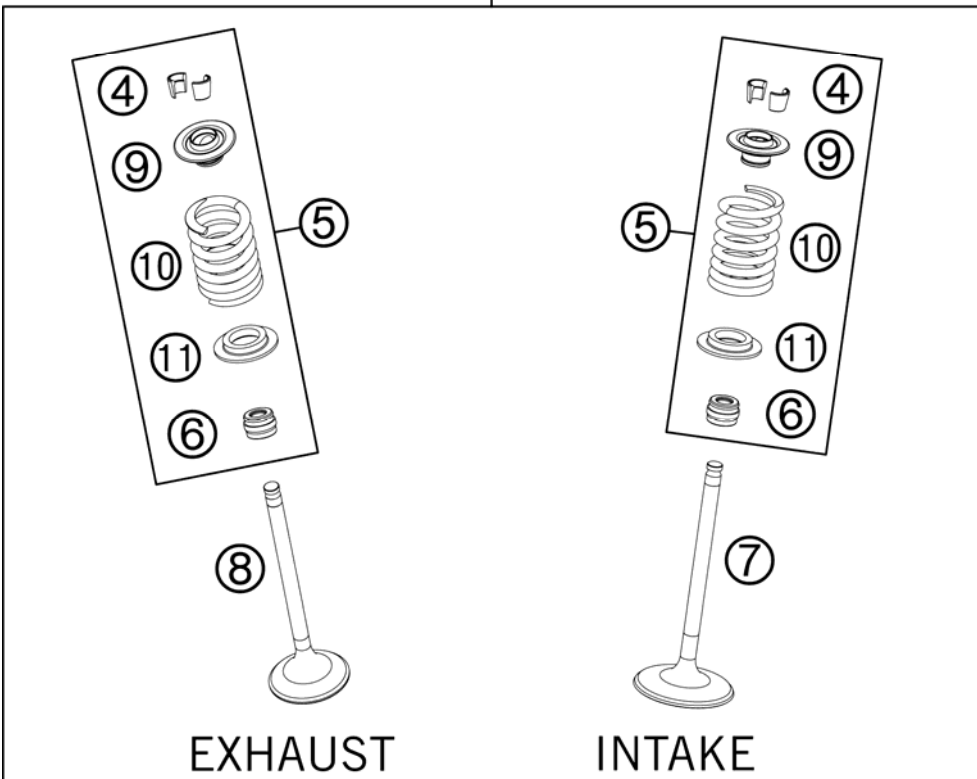
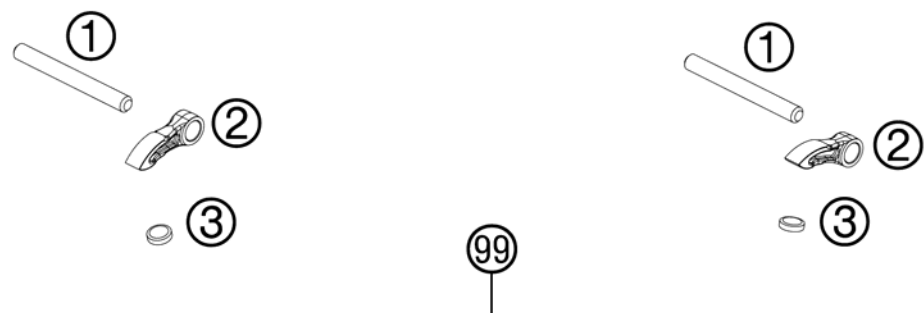
\* NEW PART

X AS REQUIRED



# VALVE DRIVE

HUSABERG FE 350 USA 2013



| FIG | PART NUMBER | DESCRIPTION            | QTY |
|-----|-------------|------------------------|-----|
| 1   | 77236056000 | VALVE LEVER SHAFT      | 2   |
| 2   | 77236060000 | VALVE LEVER            | 4   |
| 3   | 77036035172 | SHIM D=8,9/1,72        | x   |
| 3   | 77036035176 | SHIM D=8,9/1,76        | x   |
| 3   | 77036035180 | SHIM D=8,9/1,80        | x   |
| 3   | 77036035184 | SHIM D=8,9/1,84        | x   |
| 3   | 77036035188 | SHIM D=8,9/1,88        | x   |
| 3   | 77036035192 | SHIM D=8,9/1,92        | x   |
| 3   | 77036035196 | SHIM D=8,9/1,96        | x   |
| 3   | 77036035200 | SHIM D=8,9/2,00        | x   |
| 3   | 77036035204 | SHIM D=8,9/2,04        | x   |
| 3   | 77036035208 | SHIM D=8,9/2,08        | x   |
| 3   | 77036035212 | SHIM D=8,9/2,12        | x   |
| 3   | 77036035216 | SHIM D=8,9/2,16        | x   |
| 3   | 77036035220 | SHIM D=8,9/2,20        | x   |
| 3   | 77036035224 | SHIM D=8,9/2,24        | x   |
| 3   | 77036035228 | SHIM D=8,9/2,28        | x   |
| 3   | 77036035232 | SHIM D=8,9/2,32        | x   |
| 3   | 77036035236 | SHIM D=8,9/2,36        | x   |
| 3   | 77036035240 | SHIM D=8,9/2,40        | x   |
| 3   | 77036035244 | SHIM D=8,9/2,44        | x   |
| 3   | 77036035248 | SHIM D=8,9/2,48        | x   |
| 3   | 77036035252 | SHIM D=8,9/2,52        | x   |
| 3   | 77036035256 | SHIM D=8,9/2,56        | x   |
| 3   | 77036035260 | SHIM D=8,9/2,60        | x   |
| 4   | 77236033000 | VALVE COLLET           | 8   |
| 5   | 77536028044 | VALVE SPRING KIT       | 4   |
| 6   | 77236027000 | VALVE-STEM SEALING     | 4   |
| 7   | 77236030200 | INTAKE VALVE           | 2   |
| 8   | 77236031100 | EXHAUST VALVE          | 2   |
| 9   | 77536032000 | VALVE-SPRING RETAINER  | 4   |
| 10  | 77036028300 | VALVE SPRING INSIDE    | 4   |
| 11  | 77536036100 | VALVE SPRING HOLDER    | 4   |
| 99  | 77536030010 | VALVE KIT 350 EXC-F 12 | 1   |

117723610 / C127753610

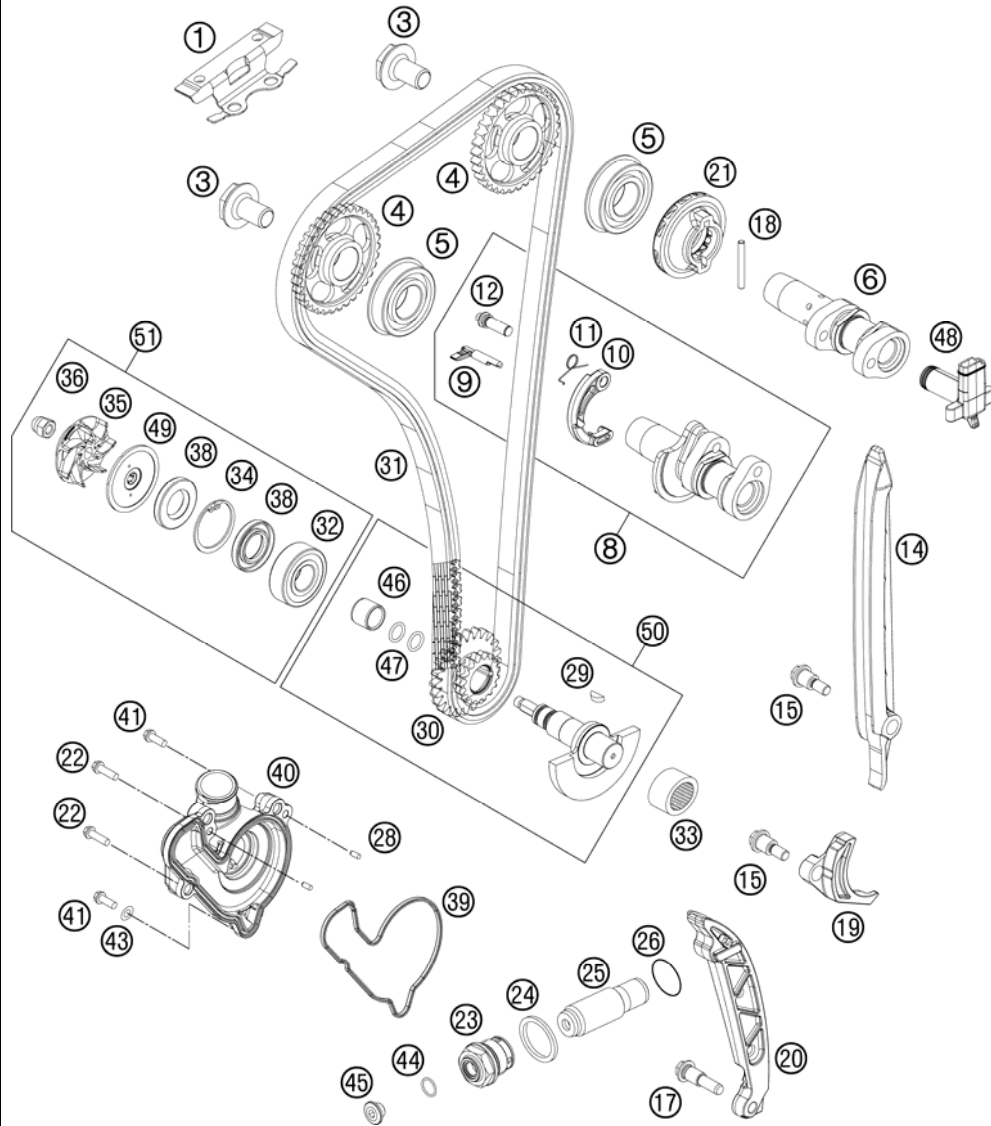
\* NEW PART

X AS REQUIRED



# TIMING DRIVE

HUSABERG FE 350 USA 2013



| FIG | PART NUMBER | DESCRIPTION                    | QTY |
|-----|-------------|--------------------------------|-----|
| 1   | 77236004000 | TIMING CHAIN GUIDE TOP         | 1   |
| 3   | 77036012100 | CAMSHAFT GEAR SCREW 08         | 2   |
| 4   | 77236011000 | CAMSHAFT GEAR                  | 2   |
| 5   | 0625060043  | BALL BEARING 6004 NR C3 05     | 2   |
| 6   | 77536009000 | CAMSHAFT INTAKE                | 1   |
| 8   | 77536010044 | CAMSHAFT EXHAUST WITH DEKO CPL | 1   |
| 9   | 77236015000 | AUTO DECOMPRESSION             | 1   |
| 10  | 77036016100 | AUTO DECO WEIGHT               | 1   |
| 11  | 77236017000 | SPRING FOR AUTO DECOMPR.       | 1   |
| 12  | 77236019000 | BUSHING SCREW AUTODEC.         | 1   |
| 14  | 77236001000 | TIMING CHAIN GUIDE             | 1   |
| 15  | 77236001160 | BUSHING SCREW M6               | 2   |
| 17  | 77236002060 | BUSHING SCREW M8               | 1   |
| 18  | 0402035298  | NEEDLE ROOLER NRB 3.5X29.8-G2  | 1   |
| 19  | 77236005000 | SECURING PROTECTION            | 1   |
| 20  | 77236002000 | TENSIONING RAIL                | 1   |
| 21  | 77236082000 | VENTILATION GEAR CPL.          | 1   |
| 22  | 0025060406  | HH COLLAR SCREW M6X40 TX30     | 2   |
| 23  | 77336008000 | HOLDING BOLT M24X1,5           | 1   |
| 24  | 0603242920  | CU SEAL-RING DIN7603 A24X29X2  | 1   |
| 25  | 77036003000 | CHAIN ADJUSTER HYD. 05         | 1   |
| 26  | 0770180020  | O-RING 18,00X2,00 NBR 70       | 1   |
| 28  | 0402040980  | NEEDLE ROL.DIN5402 NRB 4X9,8   | 2   |
| 29  | 0888030037  | WOODRUFF KEY DIN6888-3X3,7     | 1   |
| 30  | 77236076000 | TIMING VALVE TWIN WHEEL        | 1   |
| 31  | 77236013000 | TIMING CHAIN                   | 1   |
| 32  | 0625062022  | BALL BEARING 6202 C0 2         | 1   |
| 33  | 77230058000 | NEEDLE BEARING NK16/16         | 1   |
| 34  | 0472300120  | CIRCLIP 30X1,2                 | 1   |
| 35  | 81235055020 | WATER PUMP ROTOR               | 1   |
| 36  | 61230045000 | CAP NUT M6 STAINLESS STEEL     | 1   |
| 38  | 07601530451 | SHAFT SEAL RING 15X30X4.5 BAUD | 2   |
| 39  | 77235053000 | GASKET FOR WATER PUMP COVER    | 1   |
| 40  | 77235052000 | WATER PUMP COVER               | 1   |
| 41  | 0025060256  | HH COLLAR SCREW M6X25 TX30     | 2   |

127753620 / C127753620

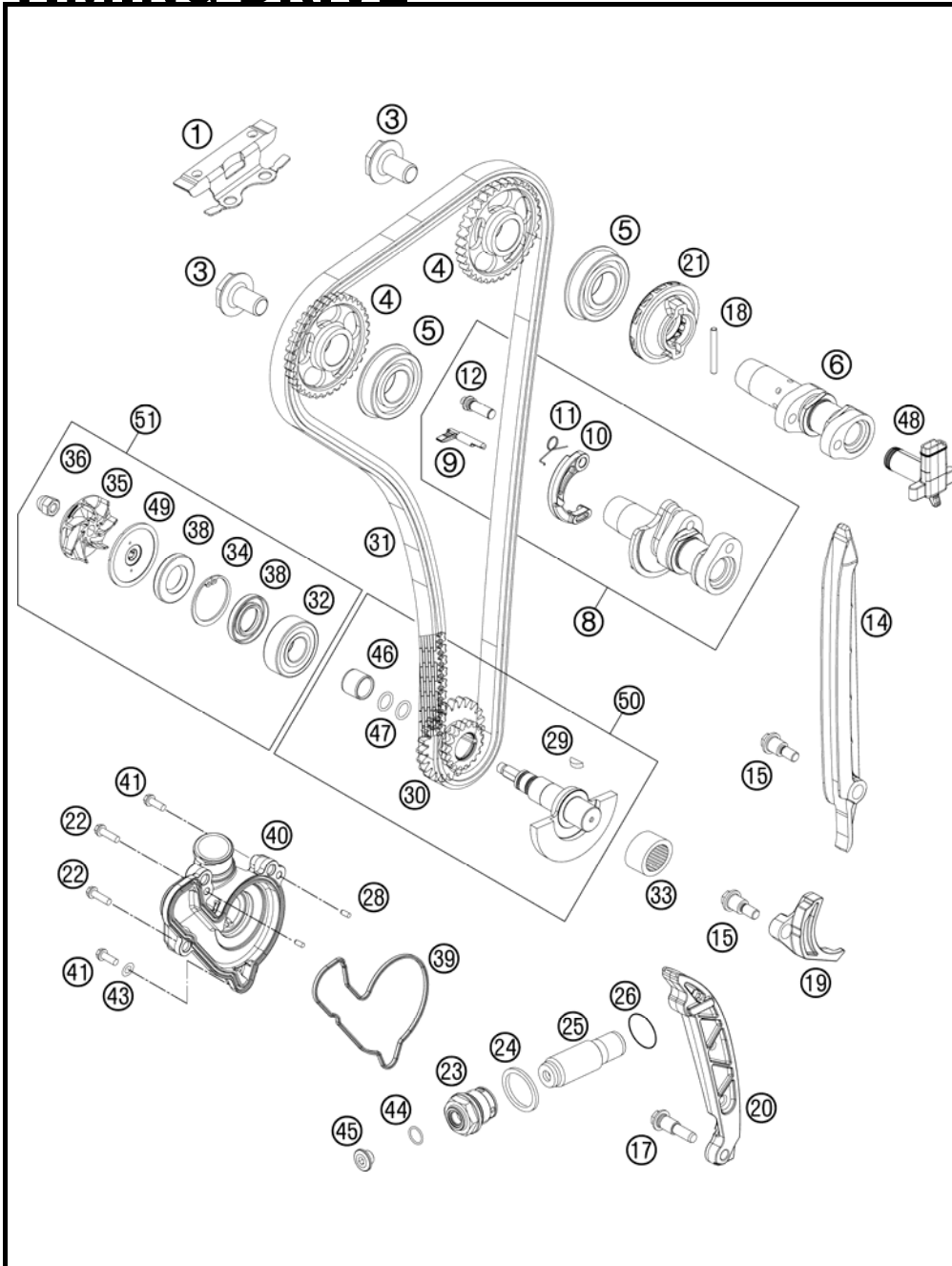
\* NEW PART

X AS REQUIRED



# TIMING DRIVE

HUSABERG FE 350 USA 2013



| FIG | PART NUMBER | DESCRIPTION                    | QTY |
|-----|-------------|--------------------------------|-----|
| 43  | 0603061001  | CU-SEAL RING DIN7603-6X10X1    | 1   |
| 44  | 0770010010  | O-RING 10,00X1,00 NBR 70 SH    | 1   |
| 45  | 77236080000 | SCREW PLUG                     | 1   |
| 46  | 77236072020 | WEAR BUSHING WAPU              | 1   |
| 47  | 07700900151 | O-RING 9x1,5 V75 SH DIN 3771   | 2   |
| 48  | 77236081000 | ANGLE PIECE F. BREATHER SYSTEM | 1   |
| 49  | 81235055110 | DISC WATER PUMP                | 1   |
| 50  | 77536072033 | BALANCER SHAFT CPL.            | x   |
| 51  | 77235055010 | WATER PUMP REP. KIT 11-13      | x   |

127753620 / C127753620

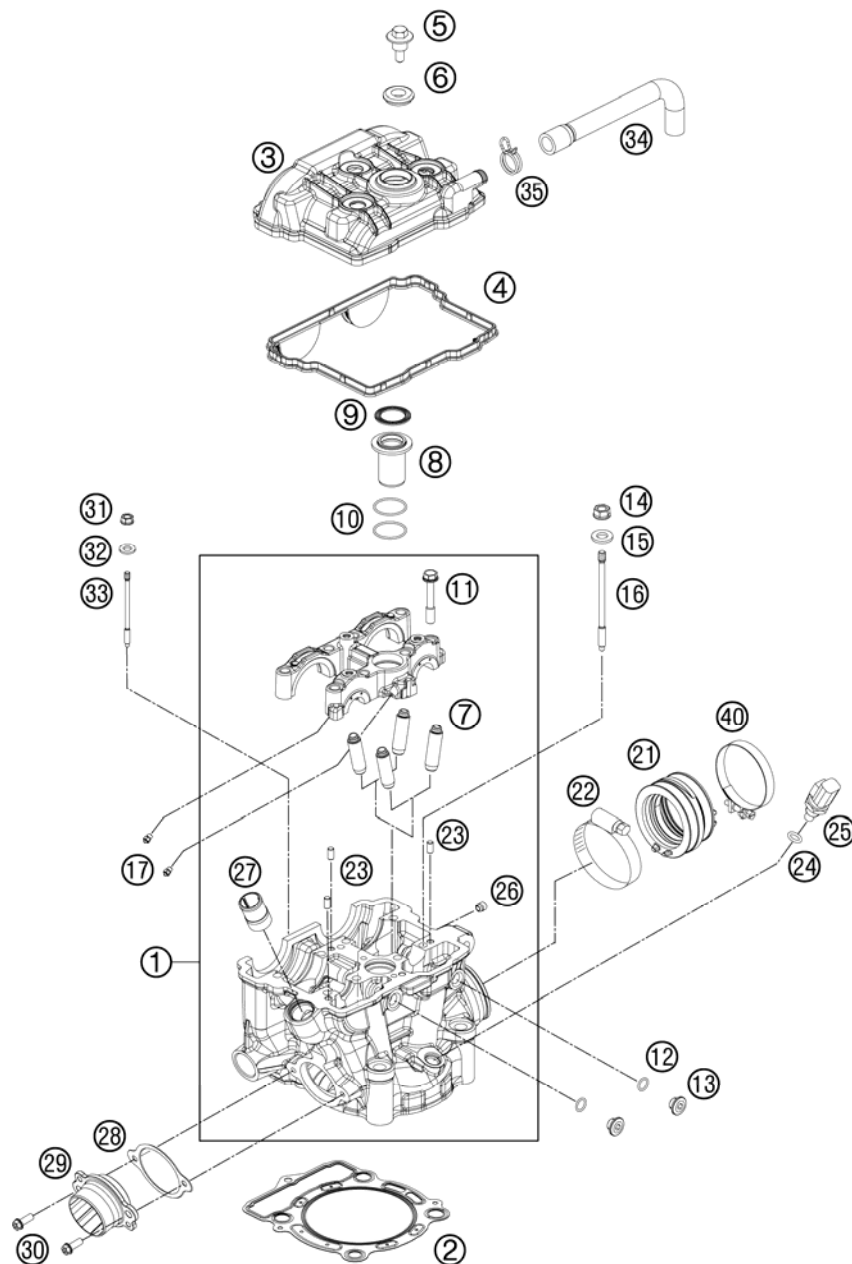
\* NEW PART

X AS REQUIRED



# CYLINDER HEAD

HUSABERG FE 350 USA 2013



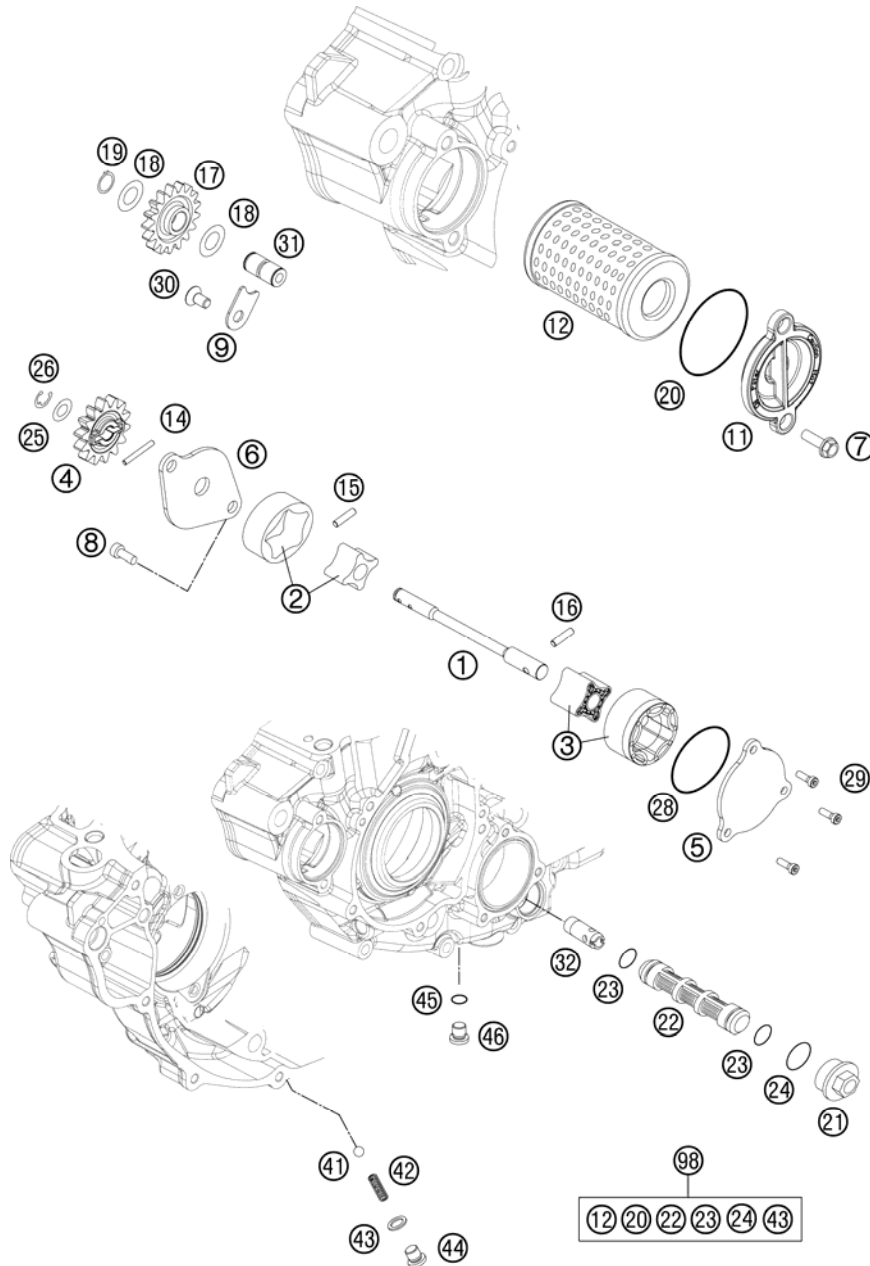
| FIG | PART NUMBER   | DESCRIPTION                   | QTY |
|-----|---------------|-------------------------------|-----|
| 1   | 77236020044   | CYLINDER HEAD CPL.            | 1   |
| 2   | 77230036000   | CYLINDER HEAD GASKET          | 1   |
| 3   | 7723605200033 | VALVE COVER                   | 1   |
| 4   | 77236053000   | VALVE COVER GASKET            | 1   |
| 5   | 77336054150   | VALVE COVER SCREW             | 3   |
| 6   | 77036054050   | RUBBER GASKET FOR SCREW 05    | 3   |
| 7   | 77236025001   | VALVE GUIDE INTAKT            | 4   |
| 8   | 77236075000   | INSERT SPARK-PLUG SHAFT       | 1   |
| 9   | 77336053050   | GASKET SPARK-PLUG SHAFT       | 1   |
| 10  | 0770260015    | O-RING 1,5x26                 | 2   |
| 11  | 77330067142   | HH COLLAR SCREW M7X1X42       | 8   |
| 12  | 07700900151   | O-RING 9x1,5 V75 SH DIN 3771  | 2   |
| 13  | 77236080000   | SCREW PLUG                    | 2   |
| 14  | 77336088210   | COLLAR NUT M10X1,25 SW13      | 4   |
| 15  | 77336089010   | WASHER 19X10,5X2,5            | 4   |
| 16  | 77230044000   | STUD SCREW M10X1,25           | 4   |
| 17  | 60030063050   | OIL JET 50 05                 | 4   |
| 21  | 77236044000   | CONNECTION RUBBER EFI         | 1   |
| 22  | 61036047000   | HOSE CLAMP GEMI 63MM 05       | 1   |
| 23  | 0402050980    | NEEDLE ROLLER DIN5402 5X9,8   | 3   |
| 24  | 0770100020    | O-RING 10,00X2,00 SILCONE     | 1   |
| 25  | 60011252000   | TEMPERAT.-SENSOR WATER LC8 02 | 1   |
| 26  | 59030296000   | SCREW PLUG                    | 1   |
| 27  | 58030010200   | SCREW IN NOZZLE M20X1,5       | 1   |
| 28  | 77236041000   | GASKET EXHAUST FLANGE         | 1   |
| 29  | 77236139000   | ENGINEFLANGE                  | 1   |
| 30  | 0025060166    | HH COLLAR SCREW M6X16 TX30    | 2   |
| 31  | 77336088106   | COLLAR NUT M6X1 SW8           | 1   |
| 32  | 0125060003    | WASHER DIN0125-A 6,4          | 1   |
| 33  | 77330043000   | STUD SCREW M6                 | 1   |
| 34  | 77538087000   | ENGINE BREATHER TUBE          | 1   |
| 35  | 58431082100   | YDNAC-CLAMP 10173 (16MM) '98  | 1   |
| 40  | 77236048000   | HOSE CLAMP GEMI 58MM          | 1   |

127753630 / C137753630

\* NEW PART

X AS REQUIRED





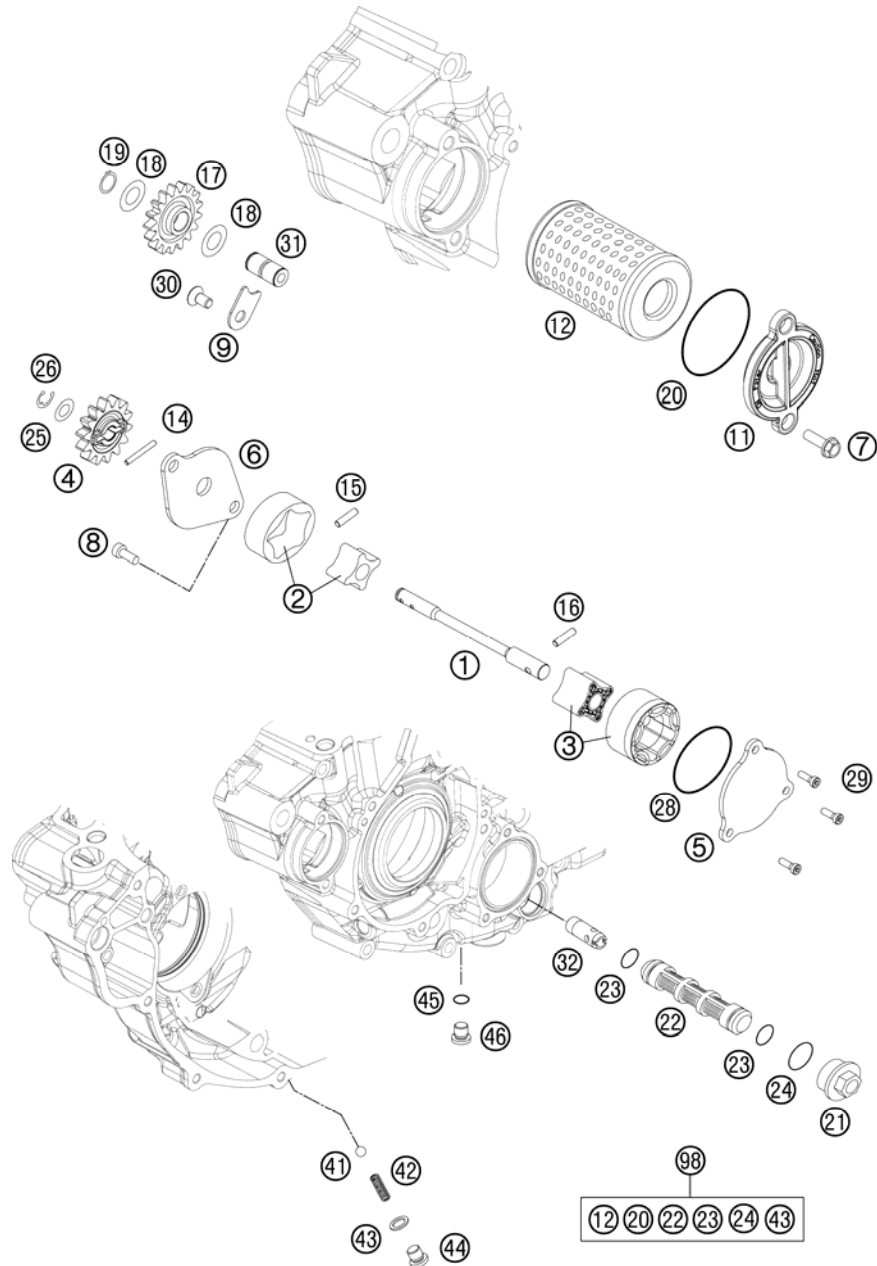
| FIG | PART NUMBER | DESCRIPTION                    | QTY |
|-----|-------------|--------------------------------|-----|
| 1   | 77238102000 | OIL PUMP SHAFT                 | 1   |
| 2   | 59038011012 | OILPUMP ROTOR 12MM G-95R/003   | 1   |
| 3   | 61238111000 | ROTOR-SET CPL. 22MM            | 1   |
| 4   | 77038001100 | OIL PUMP GEAR 14T 08           | 1   |
| 5   | 78038004000 | OIL PUMP COVER SUCTION PUMP    | 1   |
| 6   | 77238003100 | OIL PUMP COVER R/S             | 1   |
| 7   | 0025060166  | HH COLLAR SCREW M6X16 TX30     | 2   |
| 8   | 0984050123S | CYLIND. SCR. DIN6912 M5X12 8.8 | 2   |
| 9   | 77238061050 | AXIAL-CIRCLIP                  | 1   |
| 11  | 77338041200 | OIL FILTER COVER 08            | 1   |
| 12  | 77338005100 | OIL FILTER                     | 1   |
| 14  | 0402251980  | NEEDLEROL.DIN5402 NRA 2,5X19,8 | 1   |
| 15  | 0402251180  | NEEDLE ROLLER DIN5402 2,5X11,8 | 1   |
| 16  | 0402041580  | NEEDLE ROLLER NRB 4X15,8 G2    | 1   |
| 17  | 77038006100 | OILPUMP IDLER GEAR 08          | 1   |
| 18  | 0988121805  | SHIM WASHER DIN0988-12X18X0,50 | 2   |
| 19  | 0471120010  | CIRCLIP DIN0471-12X1           | 1   |
| 20  | 07703305178 | O-RING 33,05X1,78              | 1   |
| 21  | 59038017000 | PLUG M20X1,5 WS=13             | 1   |
| 22  | 59038016100 | OIL SCREEN                     | 1   |
| 23  | 0770125015  | O-RING 12,5X1,5 NBR            | 2   |
| 24  | 0770020170  | O-RING 17,17X1,78 GLO          | 1   |
| 25  | 58038007755 | STOP DISK 8,1 X 15 X 0,5       | 1   |
| 26  | 0799060000  | TAB WASHER DIN6799-RS 6,0      | 1   |
| 28  | 0770440020  | O-RING 44,00X2,00 VITON        | 1   |
| 29  | 0984050163S | CYL. SCREW DIN6912 M5X16 8.8   | 3   |
| 30  | 0018050103  | INT. TORX OVAL HEAD M 5X10 8.8 | 1   |
| 31  | 77038013100 | BUSHING PIN                    | 1   |
| 32  | 77038022000 | OIL INTAKEPIPE                 | 1   |
| 41  | 0401090003  | BALL DIN5401-9                 | 1   |
| 42  | 58038023300 | PRESSURE SPRING L=25MM D=1MM   | 1   |
| 43  | 58038022000 | CU-SEAL RING DIN7603-12X18X1,5 | 1   |
| 44  | 0908120153  | PLUG DIN0908-M12X1,5           | 1   |
| 45  | 0770110015  | O-RING 1,5x11 SILICON          | 1   |
| 46  | 78036081000 | HOLDING BOLT M14X1,5           | 1   |

127723810 / C127723810

\* NEW PART

X AS REQUIRED





| FIG | PART NUMBER | DESCRIPTION                   | QTY |
|-----|-------------|-------------------------------|-----|
| 98  | 00050000083 | OILFILTER-GASKET SET 350 SX-F | x   |

127723810 / C127723810

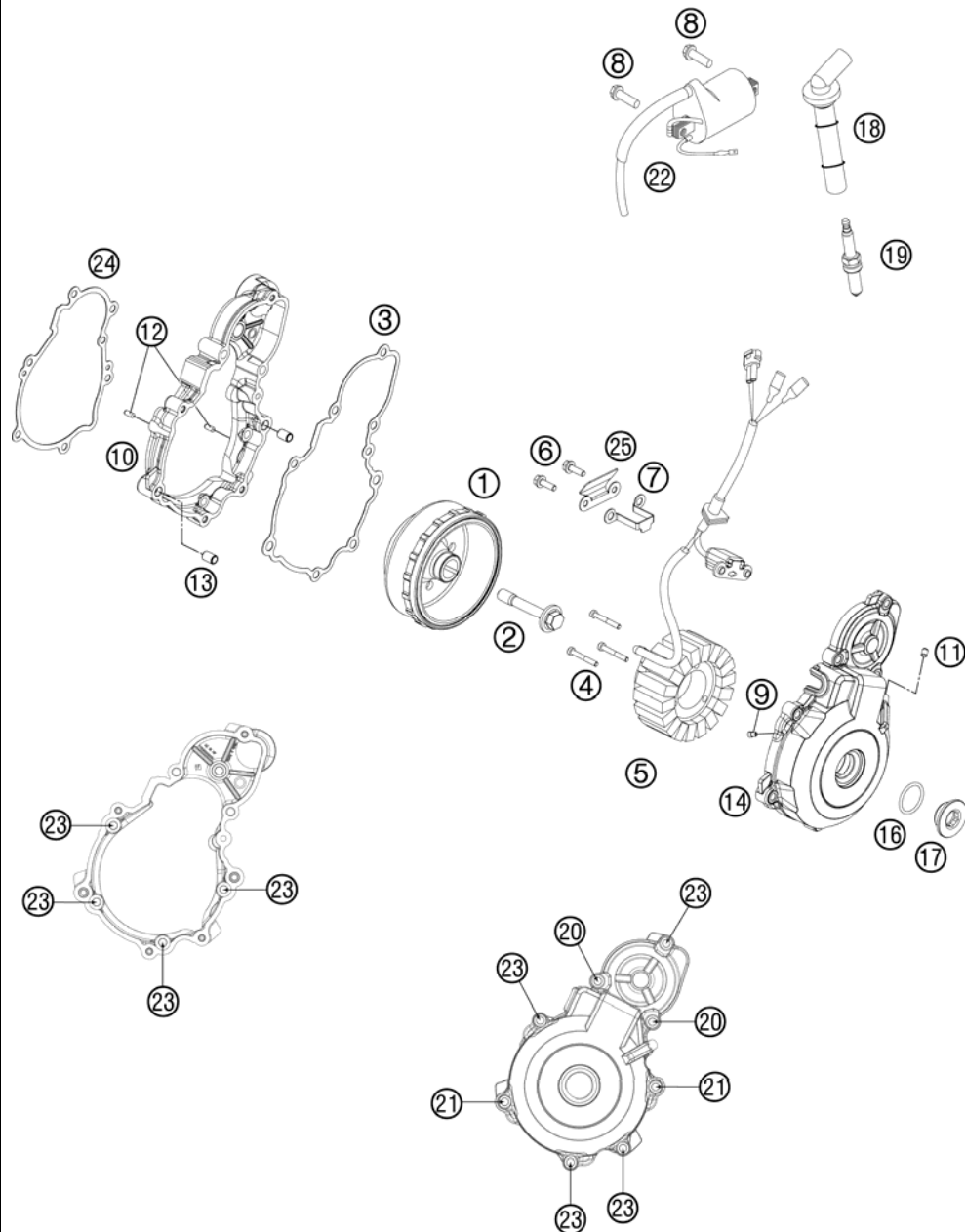
\* NEW PART

X AS REQUIRED



# IGNITION SYSTEM

HUSABERG FE 350 USA 2013



| FIG | PART NUMBER   | DESCRIPTION                    | QTY |
|-----|---------------|--------------------------------|-----|
| 1   | 77539005000   | ROTOR                          | 1   |
| 2   | 77339010100   | FLYWHEEL SCREW                 | 1   |
| 3   | 77530042000   | IGNITION COVER GASKET          | 1   |
| 4   | 0912050303    | AH SCREW DIN0912-M 5X30        | 3   |
| 5   | 77539004000   | STATOR                         | 1   |
| 6   | 0025050166    | HH COLLAR SCREW M5X16 TX30     | 2   |
| 7   | 77530002050   | CABLE TAB WASHER EXC           | 1   |
| 8   | 0026060186    | COLLAR SCREW M6X18 ISA30       | 2   |
| 9   | 80030058060   | OIL JET "60" M4                | 1   |
| 10  | 7753000200089 | INNER IGNITION COVER HUSABERG  | 1   |
| 11  | 0913050063    | THREAD PIN DIN 913 M5X6        | 1   |
| 12  | 0402040980    | NEEDLE ROL.DIN5402 NRB 4X9,8   | 2   |
| 13  | 59030023000   | DOWEL 6X8X11,5                 | 2   |
| 14  | 7753001200089 | OUTER IGNITION COVER HUSABERG  | 1   |
| 16  | 07700240251   | O-RING 24X2,5 VITON            | 1   |
| 17  | 7723000206030 | FACTORY IGNITION COVER PLUG    | 1   |
| 18  | 77239090000   | SPARK PLUG CONNECTOR           | 1   |
| 19  | 77239093000   | PLUG NGK LMAR9AI - 8           | 1   |
| 20  | 0025060506    | HH COLLAR SCREW M6X50 TX30     | 2   |
| 21  | 0025060306    | HH COLLAR SCREW M6X30 TX30     | 2   |
| 22  | 58439006000   | IGNITIONCOIL IG3826 KOKUSAN'96 | 1   |
| 23  | 0025060256    | HH COLLAR SCREW M6X25 TX30     | 8   |
| 24  | 77530040000   | IGNITION COVER GASKET          | 1   |
| 25  | 77530002060   | BRACKET                        | 1   |

127753910 / C137753911

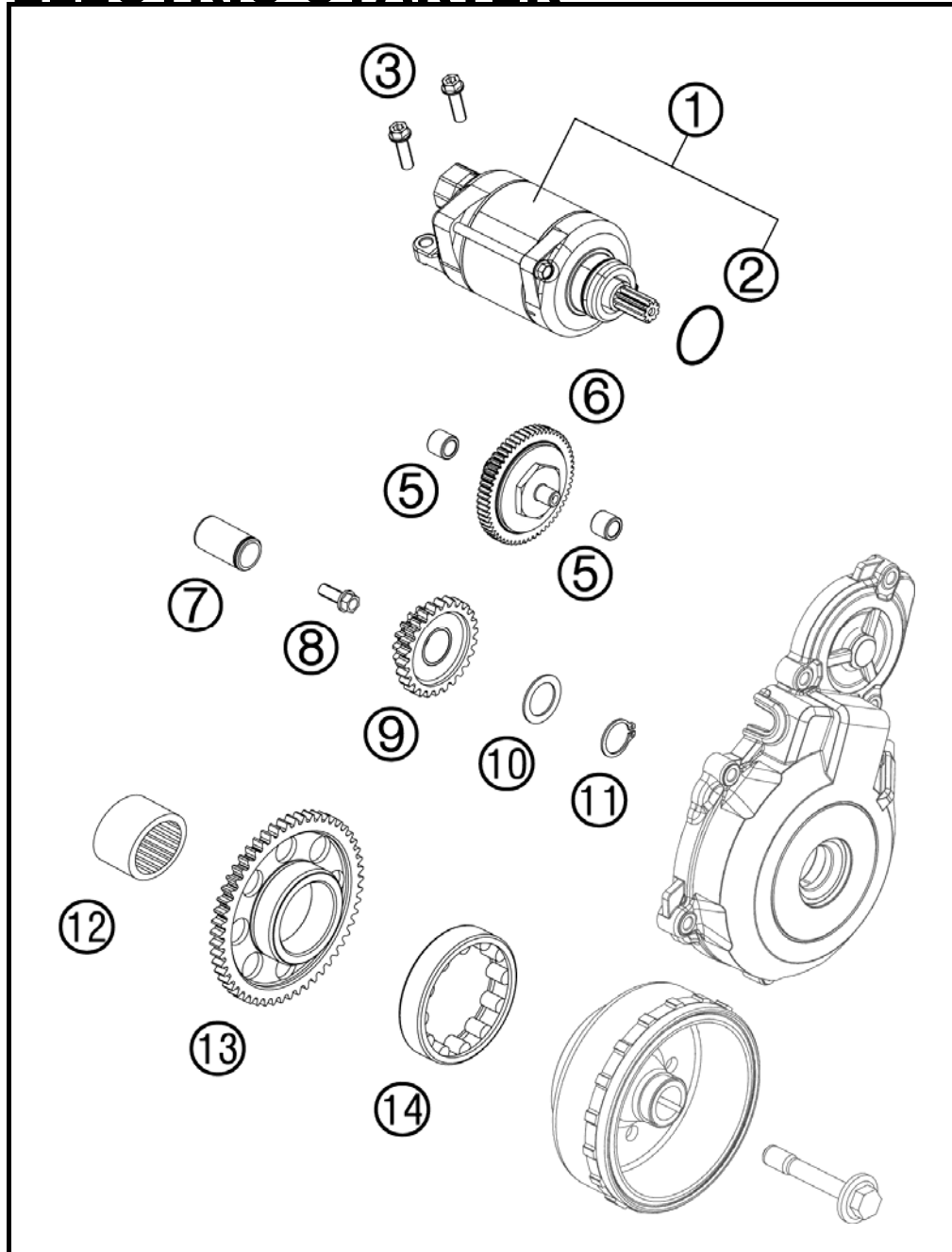
\* NEW PART

X AS REQUIRED



# ELECTRIC STARTER

HUSABERG FE 350 USA 2013



| FIG | PART NUMBER | DESCRIPTION                 | QTY |
|-----|-------------|-----------------------------|-----|
| 1   | 77240001100 | E-STARTER ENGINE CPL.       | 1   |
| 2   | 0770250030  | O-RING 25,00X3,00 NBR 70    | 1   |
| 3   | 0025060256  | HH COLLAR SCREW M6X25 TX30  | 2   |
| 5   | 0618081210  | NEEDLE BUSH HK 0810 DIN 618 | 2   |
| 6   | 77240016000 | TORQUE LIMITER              | 1   |
| 7   | 59040028000 | BUSHING PIN                 | 1   |
| 8   | 0015060163  | HH COLLAR SCREW M 6X16 WS=8 | 1   |
| 9   | 77240022000 | INTERMEDIATE STARTING GEAR  | 1   |
| 10  | 54633090000 | STOP DISK 17,2X25X1         | 1   |
| 11  | 0471170010  | CIRCLIP DIN0471-17X1        | 1   |
| 12  | 0618301617  | NEEDLE BEARING HK 3016 B    | 1   |
| 13  | 77240020000 | FREEWHEEL GEAR              | 1   |
| 14  | 77240026000 | ROLLER FREE WHEEL           | 1   |

127754010 / C127754010

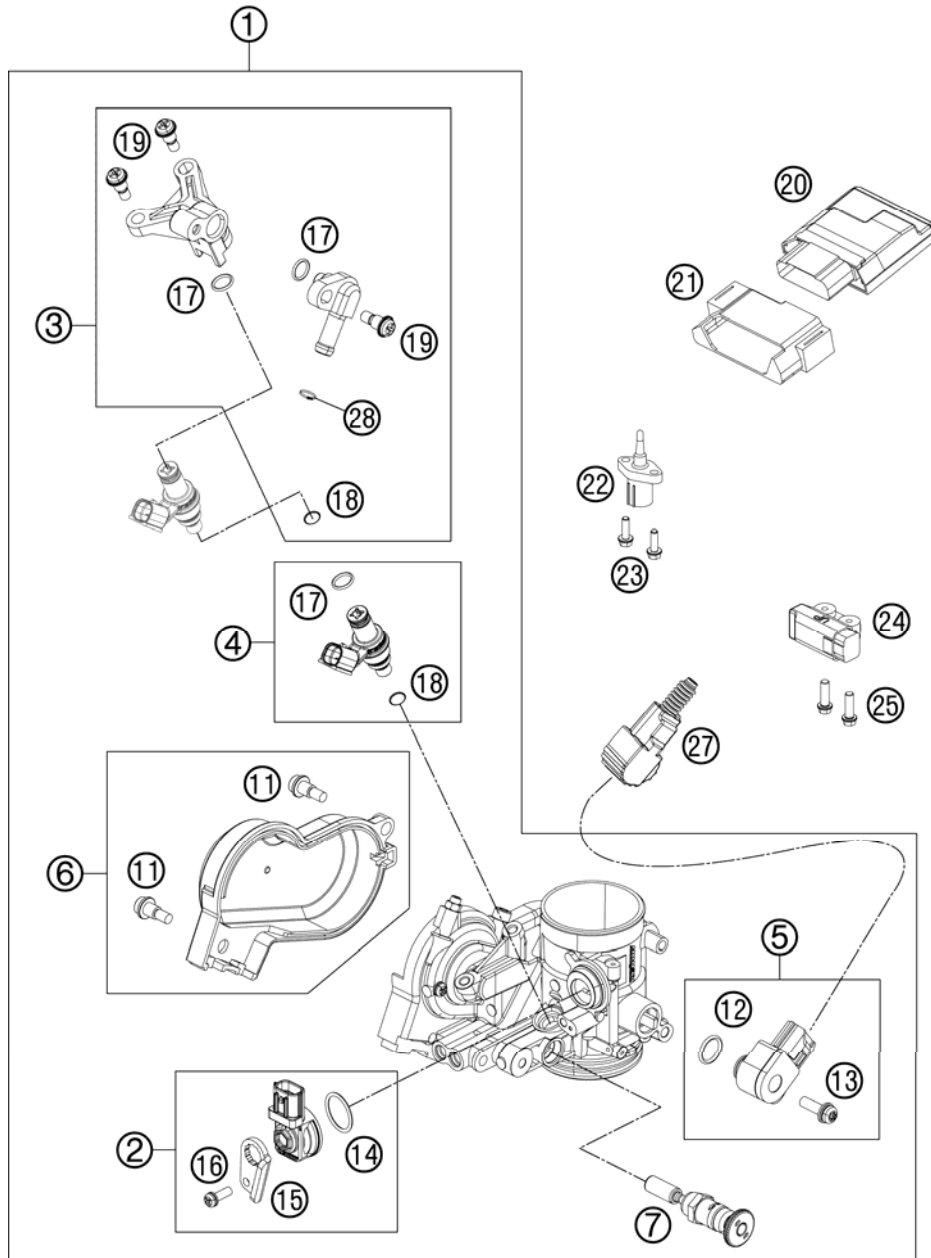
\* NEW PART

X AS REQUIRED



# THROTTLE BODY

HUSABERG FE 350 USA 2013



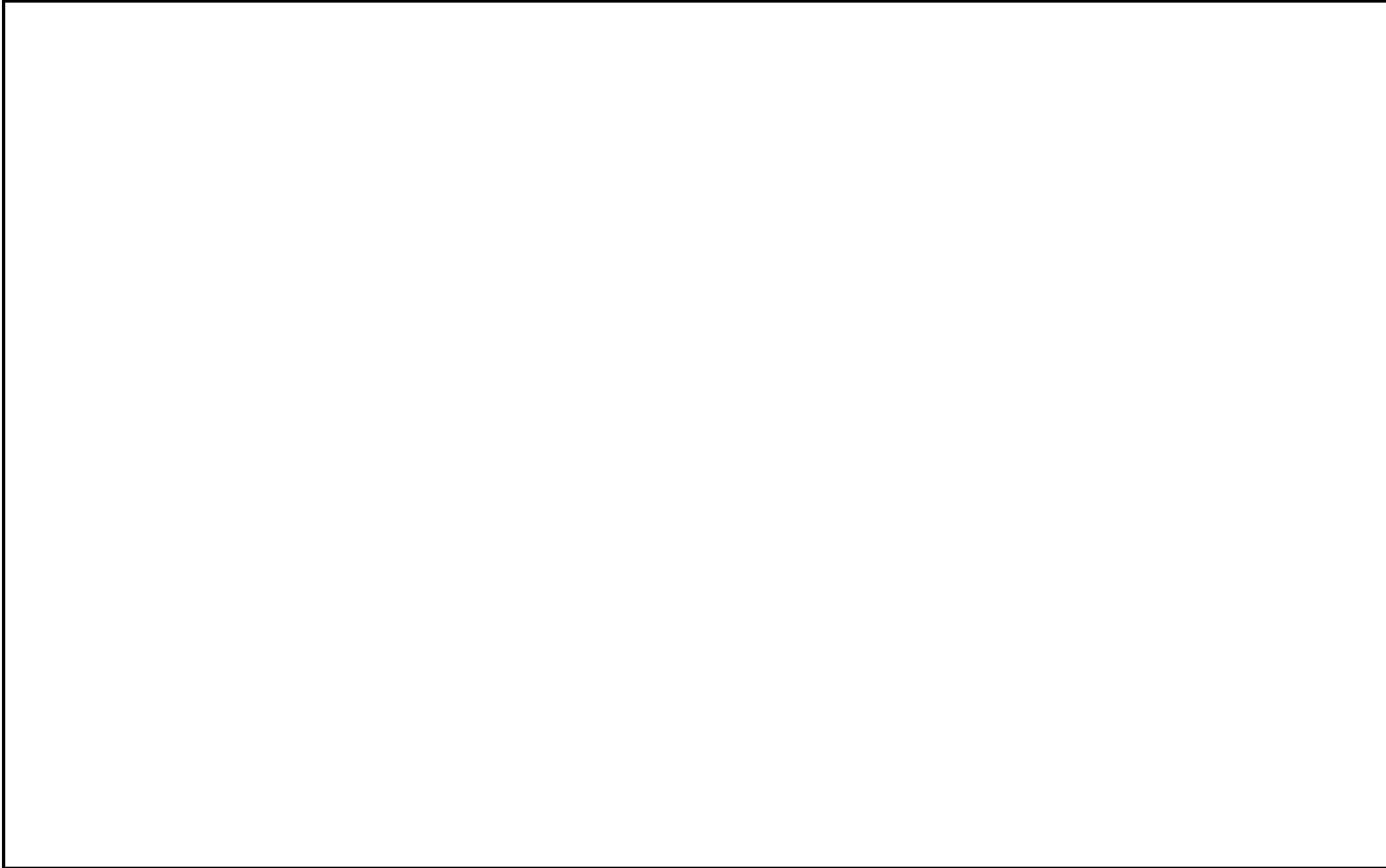
| FIG | PART NUMBER | DESCRIPTION                    | QTY |
|-----|-------------|--------------------------------|-----|
| 1   | 77241001000 | THROTTLE BODY                  | 1   |
| 2   | 81241085044 | MAP SENSOR CPL.                | 1   |
| 3   | 81241013044 | FUEL RAIL CPL.                 | 1   |
| 4   | 75041023144 | INJECTOR KIT CPL.              | 1   |
| 5   | 81241077044 | TPS KPL.                       | 1   |
| 6   | 81241056044 | THROTTLE COVER CPL.            | 1   |
| 7   | 81241060000 | STARTER VALVE COMP.            | 1   |
| 11  | 81241056020 | SPECIAL SCREW AH               | 2   |
| 12  | 61041077010 | O-RING THROTTLE POS. SENSOR    | 1   |
| 13  | 81241077030 | SPECIAL SCREW                  | 1   |
| 14  | 75041085010 | O-RING                         | 1   |
| 15  | 81241085020 | PLATE                          | 1   |
| 16  | 81241085030 | SPECIAL SCREW                  | 1   |
| 17  | 75041023020 | O-RING                         | 2   |
| 18  | 75041023010 | SEAL RING                      | 1   |
| 19  | 75041013010 | SCREW SHOULDER                 | 3   |
| 20  | 81241031100 | TIMING CHARGER EFI             | 1   |
| 21  | 77241031050 | RUBBER BRACKET ECU             | 1   |
| 22  | 61041080000 | AMBIENT-AIR TEMPERATURE SENSOR | 1   |
| 23  | 0025050166  | HH COLLAR SCREW M5X16 TX30     | 2   |
| 24  | 61041088000 | ROLLOVER SENSOR                | 1   |
| 25  | 0025060206  | HH COLLAR SCREW M6X20 TX30     | 2   |
| 27  | 77111014050 | PROTECTION CAP TPS             | 1   |
| 28  | 77507017000 | CLAMP ABA 14MM                 | 1   |

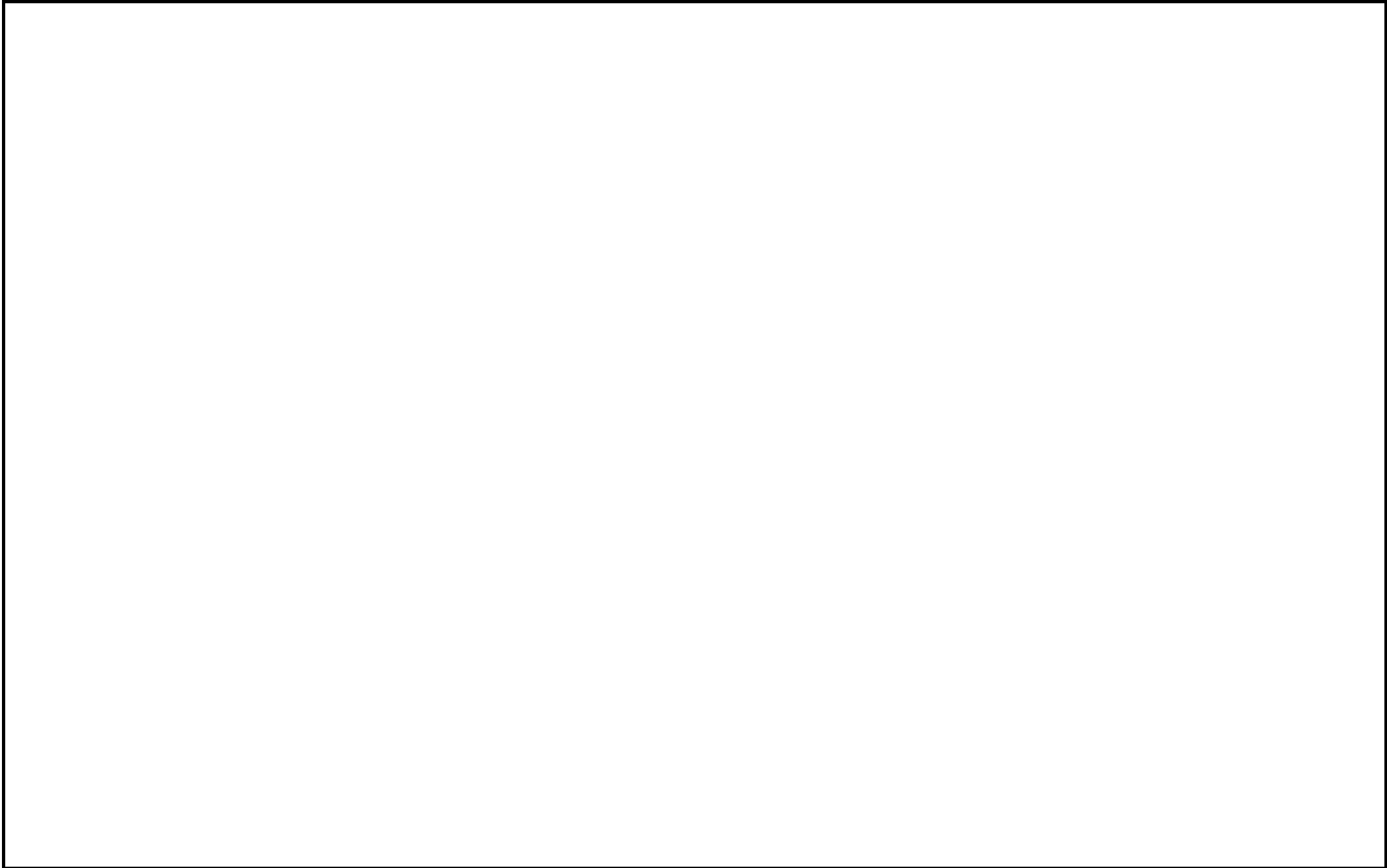
137744110 / C137814110

\* NEW PART

X AS REQUIRED











HUSABERG – a company of the KTM Group  
A-5230 Mattighofen  
[www.husaberg.cc](http://www.husaberg.cc)

KTM Group Partner



3CM089391MEN



Art.Nr.: 3CM089391MEN 8/2012